



US00D704665S

(12) **United States Design Patent**
Ozeki et al.

(10) **Patent No.:** **US D704,665 S**
(45) **Date of Patent:** **** May 13, 2014**

(54) **ELECTRICAL CONNECTOR**

- (71) Applicant: **Dai-Ichi Seiko Co., Ltd.**, Fushimi-ku (JP)
- (72) Inventors: **Kosuke Ozeki**, Machida (JP); **Masataka Muro**, Machida (JP)
- (73) Assignee: **Dai-Ichi Seiko Co., Ltd.**, Fishimi-ku (JP)
- (**) Term: **14 Years**
- (21) Appl. No.: **29/452,337**
- (22) Filed: **Apr. 15, 2013**

Related U.S. Application Data

- (62) Division of application No. 29/391,896, filed on May 13, 2011.

Foreign Application Priority Data

- Nov. 22, 2010 (JP) 2010-027914
 - May 11, 2011 (JP) 2011-010542
 - May 11, 2011 (JP) 2011-010543
 - (51) **LOC (10) Cl.** **13-03**
 - (52) **U.S. Cl.**
USPC **D13/147**
 - (58) **Field of Classification Search**
USPC D13/147, 154, 184, 199; 439/74, 79, 439/260, 329, 357, 395, 422, 492-499, 439/607.01, 607.04, 607.05, 607.17, 439/607.25, 607.34, 607.41, 607.53, 629, 439/630, 660, 680, 686, 946
- See application file for complete search history.

(56) **References Cited**

U.S. PATENT DOCUMENTS

- D507,534 S 7/2005 Takahiro
- D627,737 S 11/2010 Qu et al.
- D629,759 S 12/2010 Hara
- D641,321 S 7/2011 Ngo
- D654,029 S 2/2012 Ozeki

FOREIGN PATENT DOCUMENTS

- JP D1403816 11/2010

OTHER PUBLICATIONS

U.S. Appl. No. 29/434,816, filed Oct. 17, 2012, Ozeki.

Primary Examiner — Daniel Bui

(74) *Attorney, Agent, or Firm* — Oblon, Spivak, McClelland, Maier & Neustadt, L.L.P.

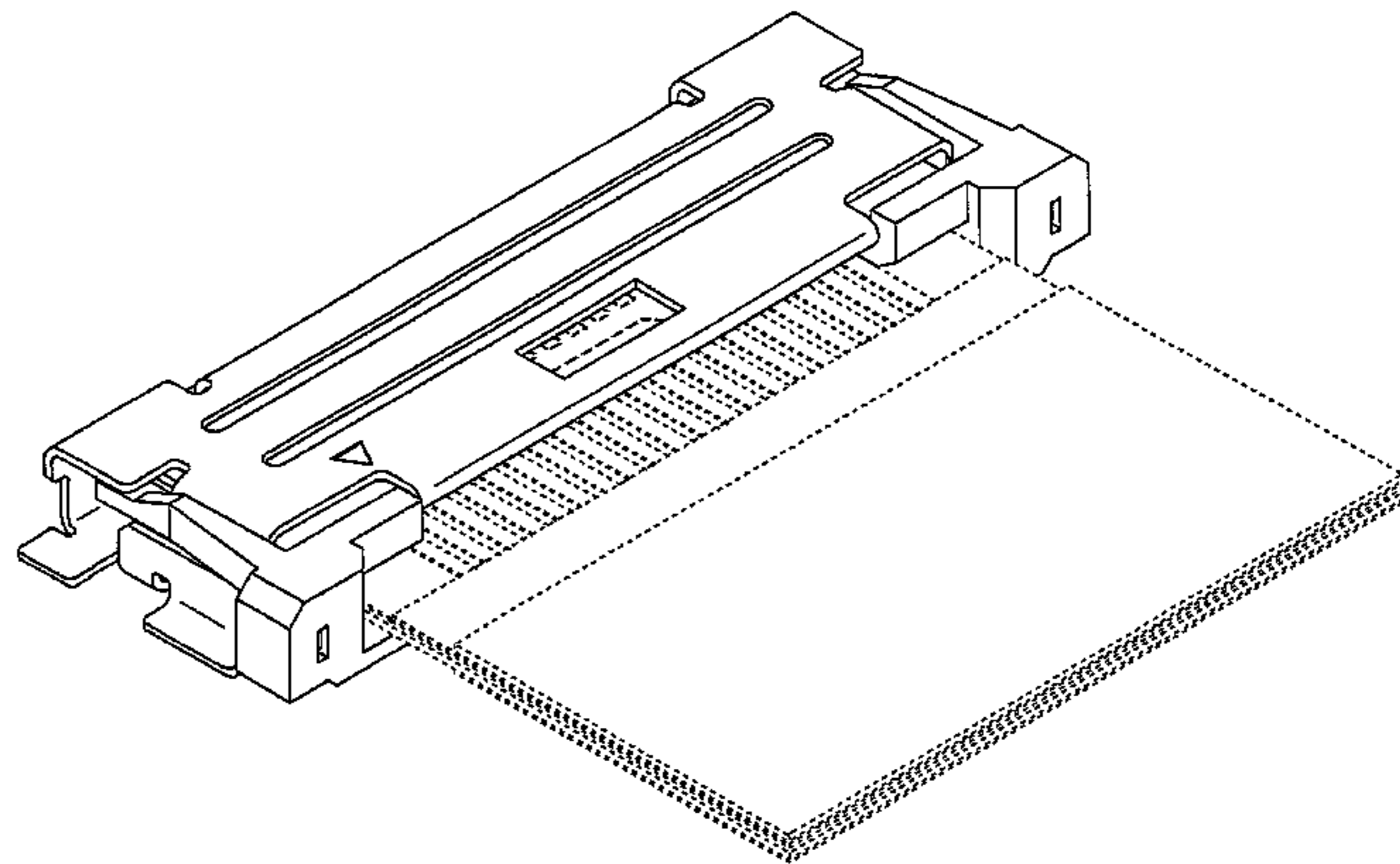
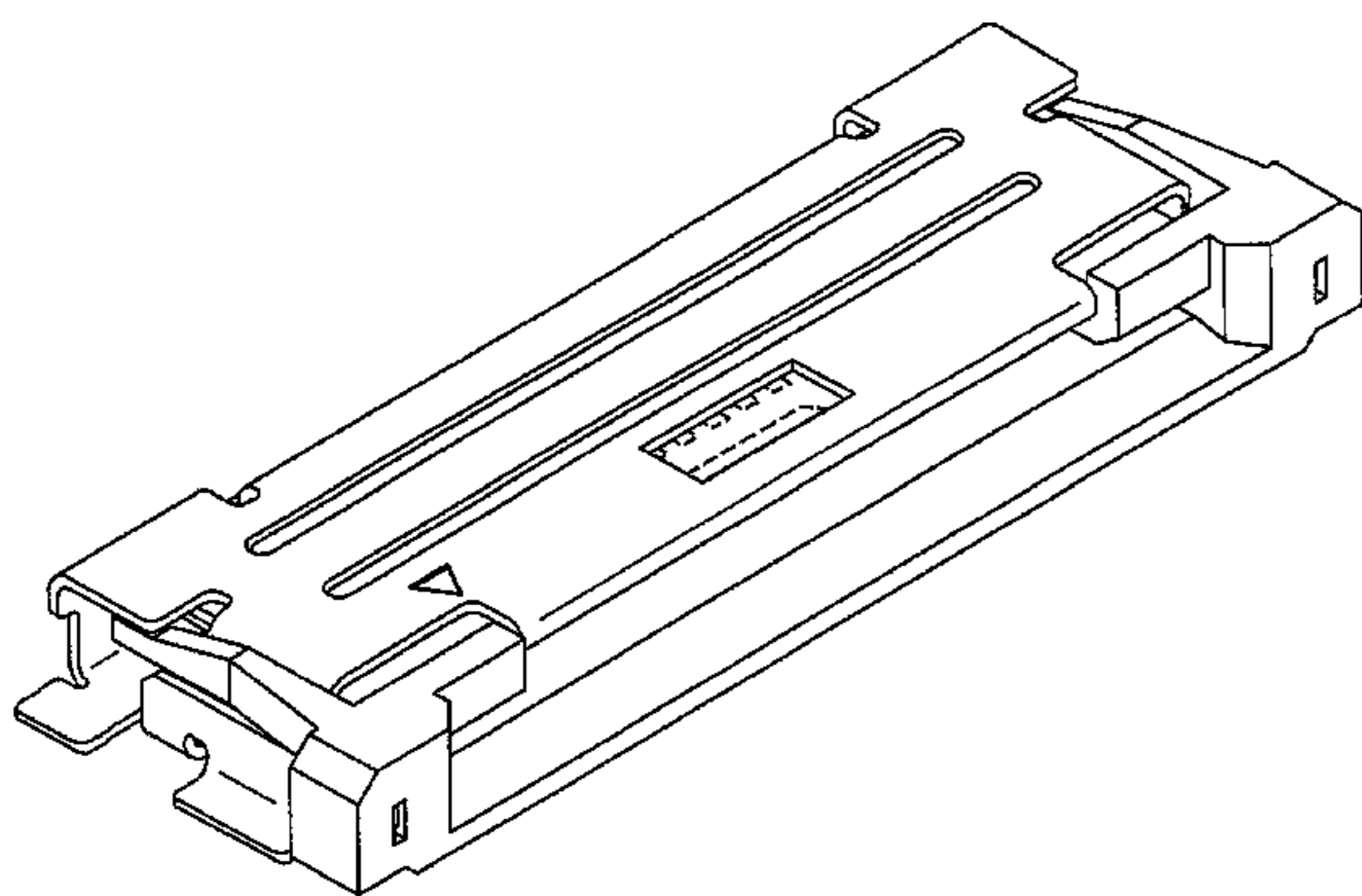
(57) **CLAIM**

The ornamental design for an electrical connector, as shown and described.

DESCRIPTION

FIG. 1 is a front elevational view of an electrical connector of an embodiment showing our new design;
 FIG. 2 is a top plan view thereof;
 FIG. 3 is a rear elevational view thereof;
 FIG. 4 is a bottom plan view thereof;
 FIG. 5 is a right side elevational view thereof;
 FIG. 6 is a front, top, and left side perspective view thereof;
 FIG. 7 is a rear, top, and right side perspective view thereof;
 and,
 FIG. 8 is a front, top, and left side perspective view thereof in a use condition.
 The broken lines in the drawings depict environmental subject matter only and form no part of the claimed design.

1 Claim, 8 Drawing Sheets



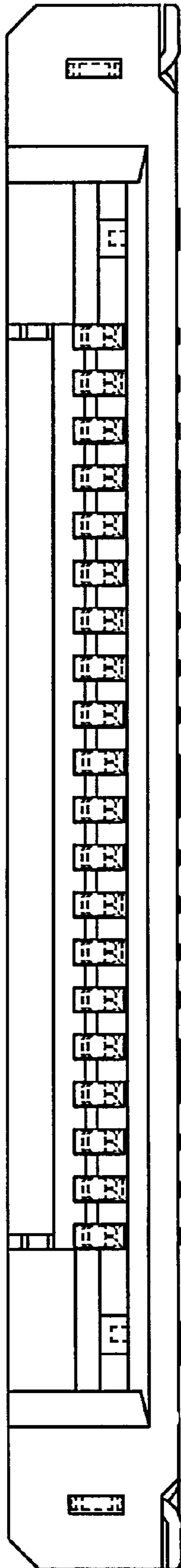


FIG. 1

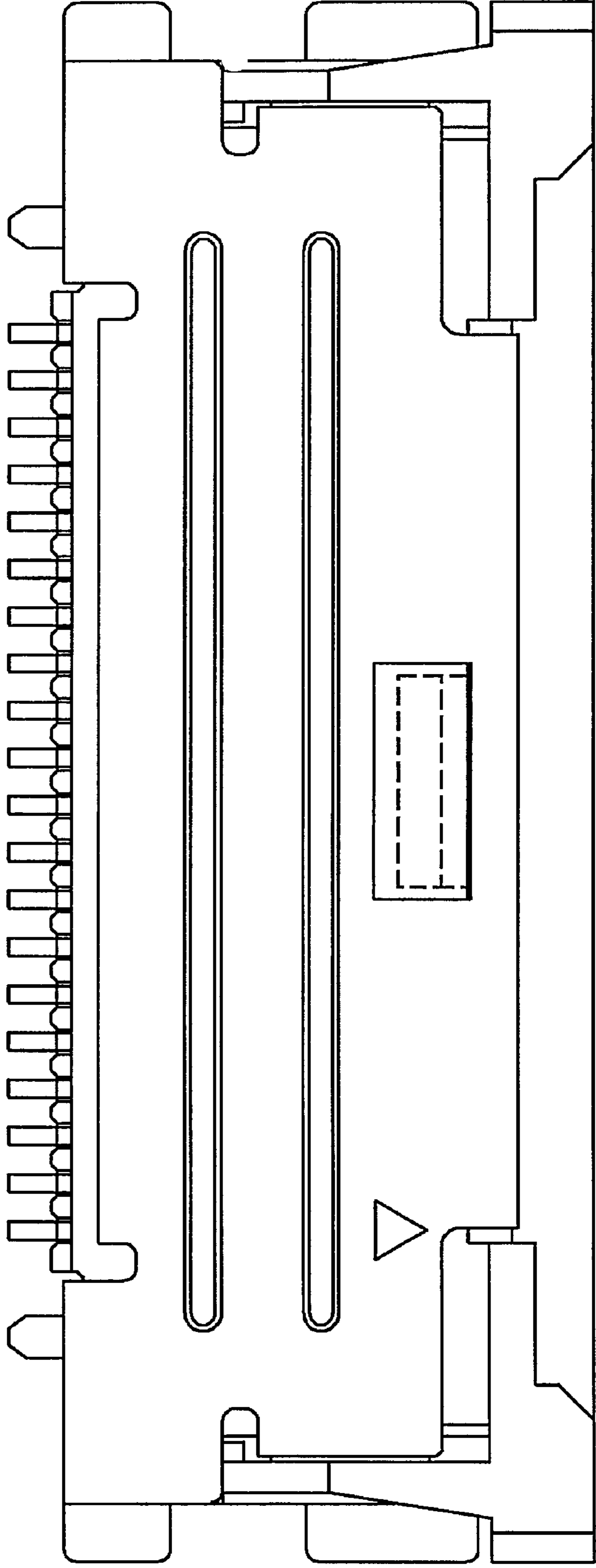


FIG.2

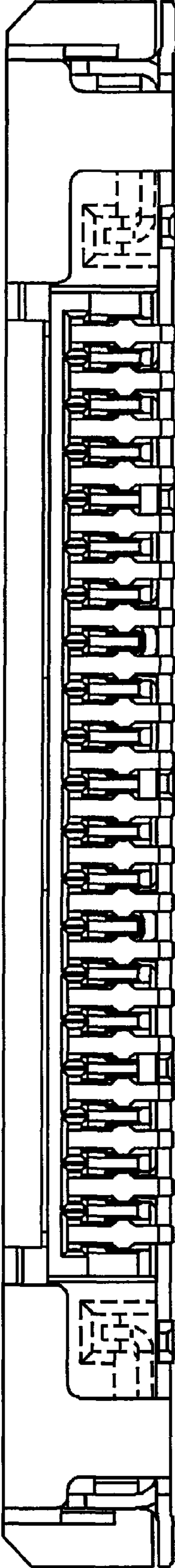


FIG.3

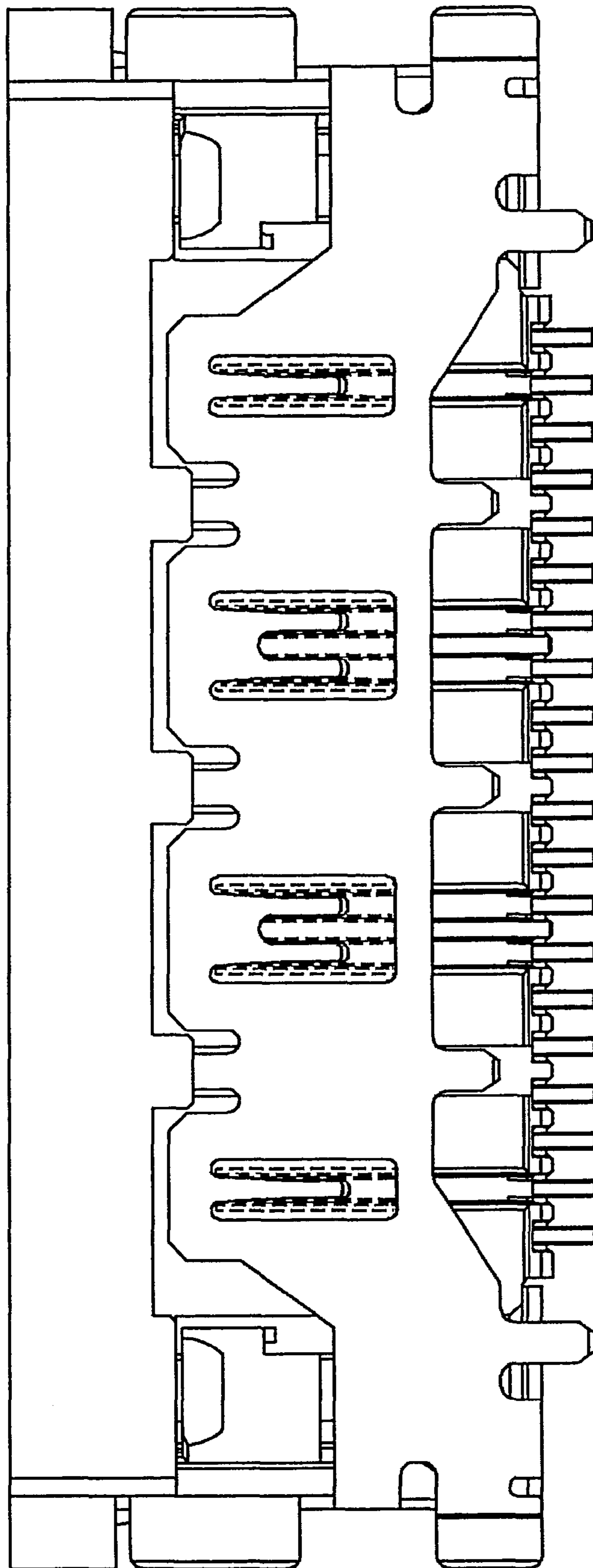


FIG.4

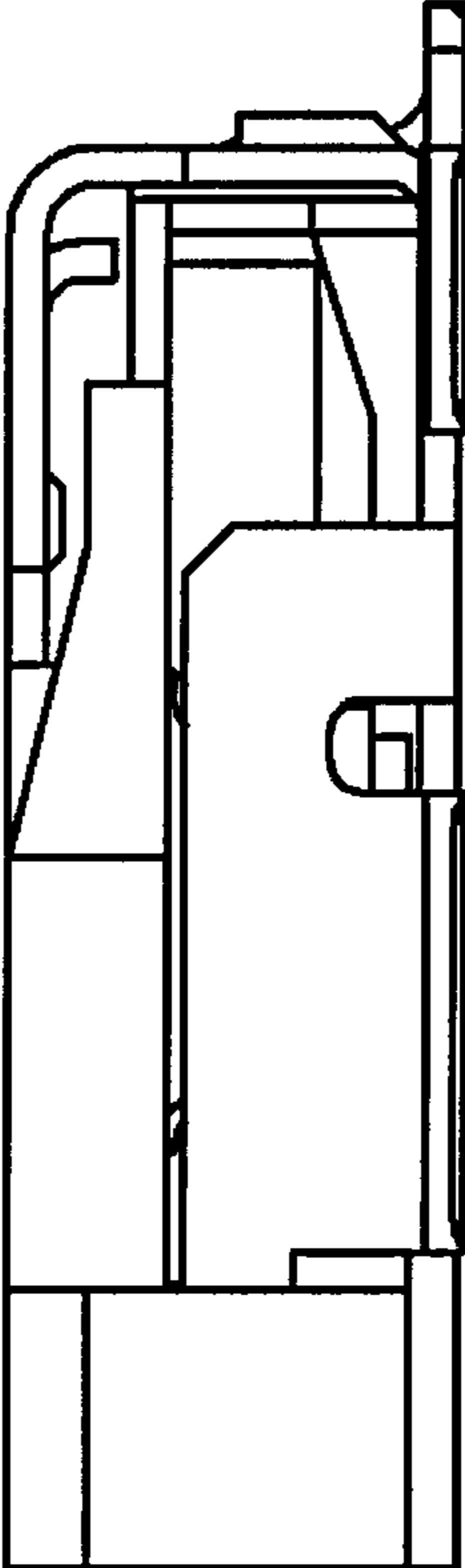


FIG. 5

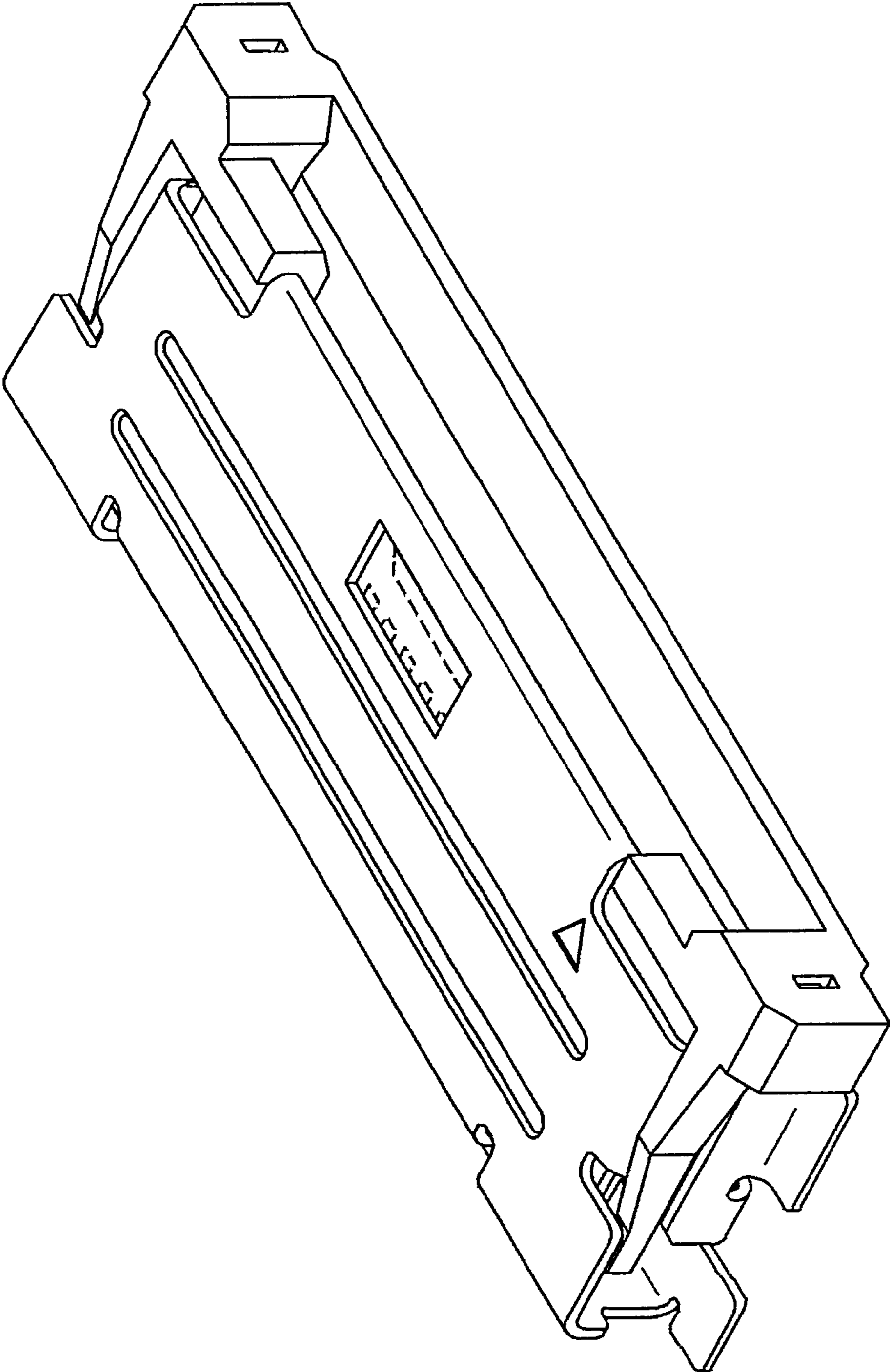


FIG. 6

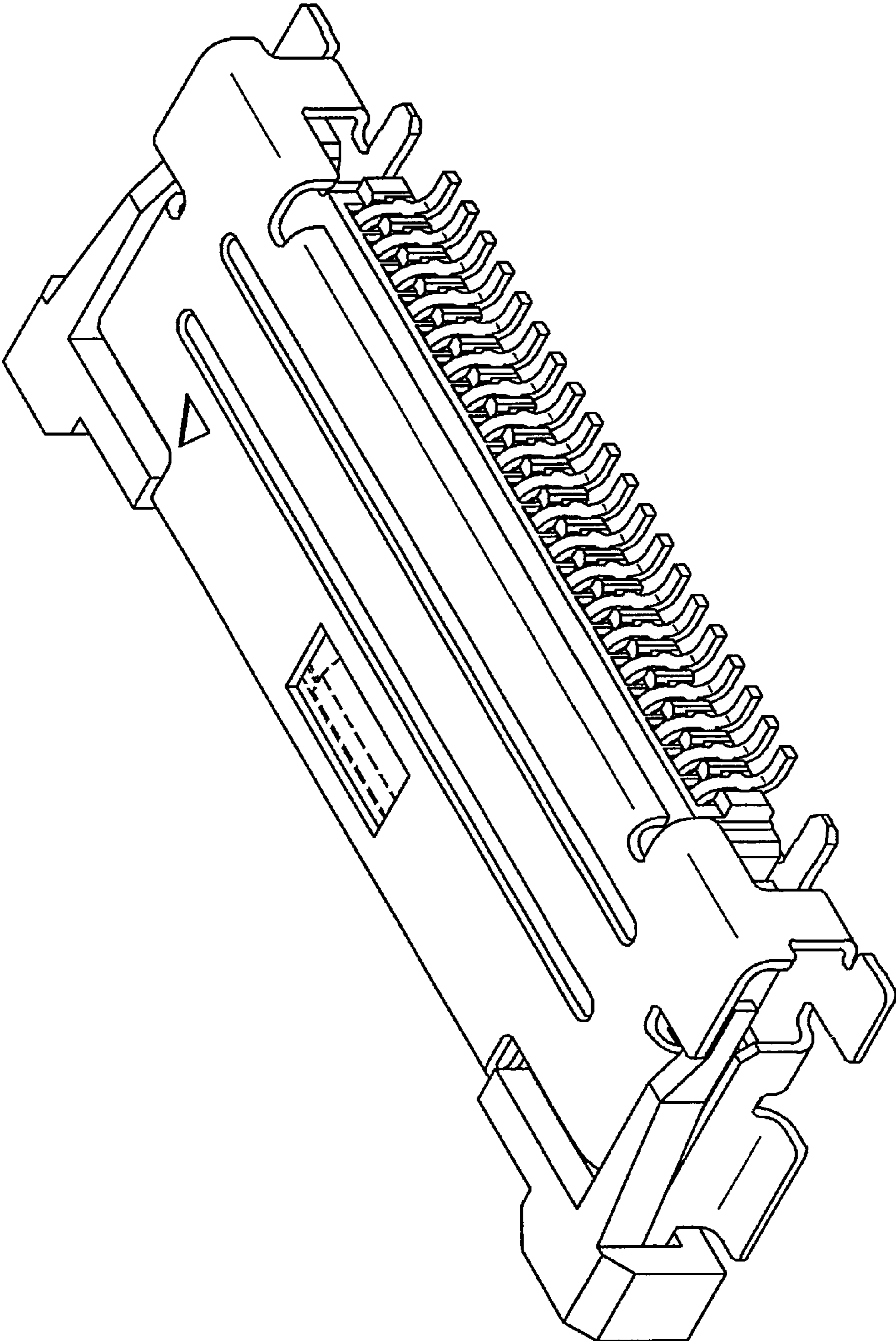


FIG. 7

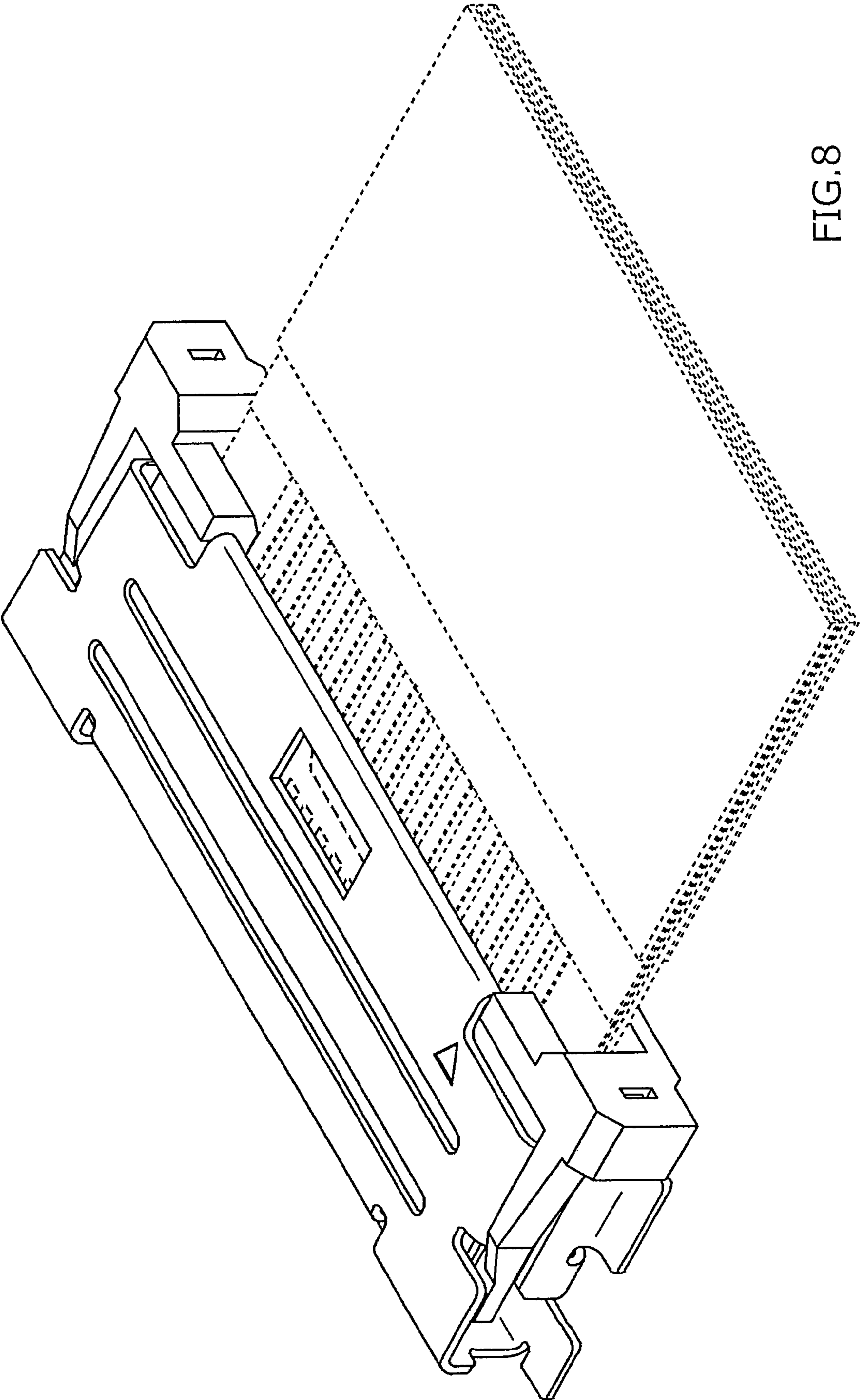


FIG. 8

UNITED STATES PATENT AND TRADEMARK OFFICE
CERTIFICATE OF CORRECTION

PATENT NO. : D704,665 S
APPLICATION NO. : 29/452337
DATED : May 13, 2014
INVENTOR(S) : Kosuke Ozeki et al.

Page 1 of 1

It is certified that error appears in the above-identified patent and that said Letters Patent is hereby corrected as shown below:

On the title page, Items (71) and (73), Applicant and Assignee's city information is incorrect. Items (71) and (73) should read:

--(71) Applicant: Dai-Ichi Seiko Co., Ltd., Kyoto (JP)

(73) Assignee: **Dai-Ichi Seiko Co., Ltd., Kyoto (JP)**--

Signed and Sealed this
Twenty-second Day of September, 2015



Michelle K. Lee
Director of the United States Patent and Trademark Office