



US00D704664S

(12) **United States Design Patent**  
**Kawakami**

(10) **Patent No.:** **US D704,664 S**

(45) **Date of Patent:** **\*\* May 13, 2014**

(54) **ELECTRICAL CONNECTOR**

(71) Applicant: **Hosiden Corporation**, Yao (JP)

(72) Inventor: **Yuta Kawakami**, Yao (JP)

(73) Assignee: **Hosiden Corporation**, Yao-shi (JP)

(\*\*) Term: **14 Years**

(21) Appl. No.: **29/441,274**

(22) Filed: **Jan. 3, 2013**

(30) **Foreign Application Priority Data**

Aug. 3, 2012 (JP) ..... 2012-018567

(51) **LOC (10) Cl.** ..... **13-03**

(52) **U.S. Cl.**  
USPC ..... **D13/147**

(58) **Field of Classification Search**  
USPC ..... D13/133, 146, 147, 153, 154, 156, 157,  
D13/184, 199; D14/432, 433, 435, 435.1,  
D14/438; 345/156; 361/58, 814; 439/38-40,  
439/66, 74, 77, 79, 129-130, 135, 146,  
439/149-150, 176-177, 180, 188, 217-218,  
439/225, 246, 252, 278-279, 290-291, 329,  
439/344-346, 350-353, 357-358, 374, 378,  
439/381, 476.1, 607.01, 607.04, 607.5,  
439/607.6, 607.17, 607.21, 607.23, 607.25,  
439/607.34, 607.41, 607.53, 623, 660, 668,  
439/677, 678, 680, 682, 874, 883, 887, 892,  
439/894

See application file for complete search history.

(56) **References Cited**

**U.S. PATENT DOCUMENTS**

D531,580 S \* 11/2006 Nishio et al. .... D13/147  
D588,543 S \* 3/2009 Kondo ..... D13/147

D601,974 S \* 10/2009 Igarashi ..... D13/154  
D638,361 S \* 5/2011 Sasaki et al. .... D13/147  
D649,118 S \* 11/2011 Kawakami et al. .... D13/147

\* cited by examiner

*Primary Examiner* — Daniel Bui

(74) *Attorney, Agent, or Firm* — Kratz, Quintos & Hanson,  
LLP

(57) **CLAIM**

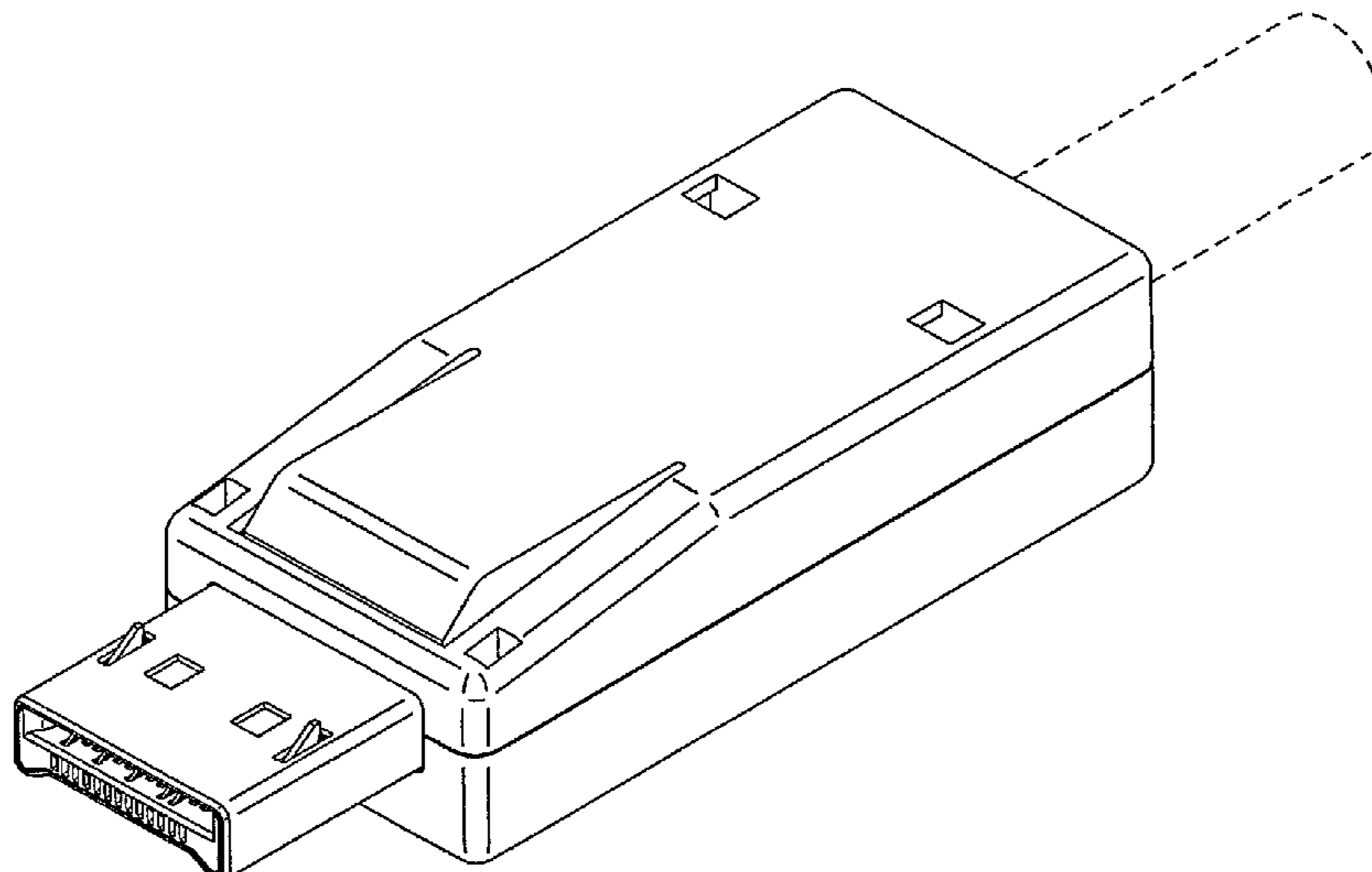
The ornamental design for an electrical connector, as shown  
and described.

**DESCRIPTION**

FIG. 1 is a front elevational view of the electric connector  
according to the claimed design;  
FIG. 2 is a back elevational view thereof;  
FIG. 3 is a top plan view thereof;  
FIG. 4 is a bottom plan view thereof;  
FIG. 5 is a right side elevational view thereof;  
FIG. 6 is a left side elevational view thereof;  
FIG. 7 is a top, front, and right side perspective view thereof;  
FIG. 8 is a top, back, and left side perspective view thereof;  
FIG. 9 is a bottom, front, and right side perspective view  
thereof; and,  
FIG. 10 is a bottom, back, and left side perspective view  
thereof.

The broken lines are included for the purpose of illustrating  
environmental structures and form no part of the claimed  
design.

**1 Claim, 10 Drawing Sheets**



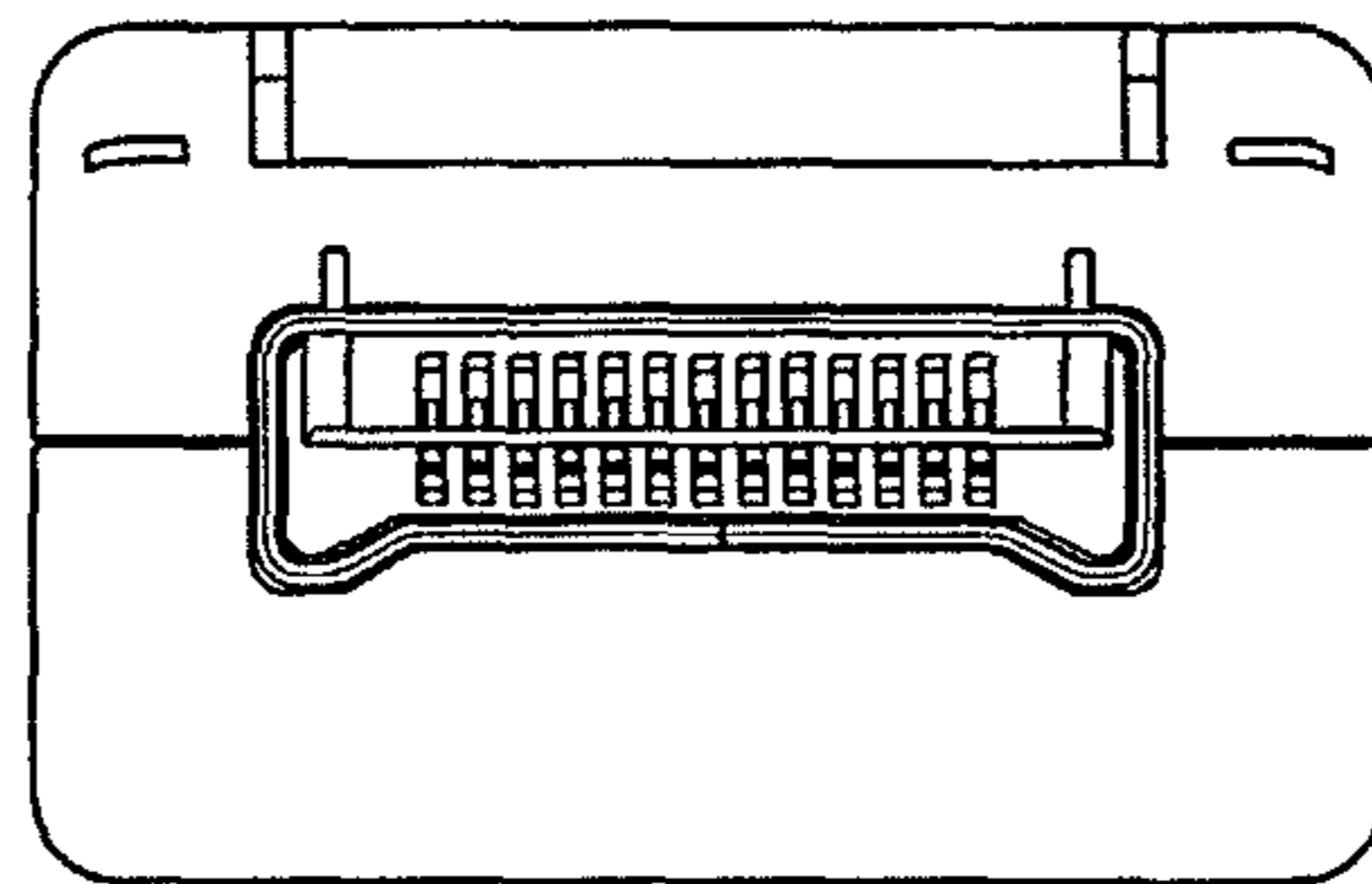


Fig. 1

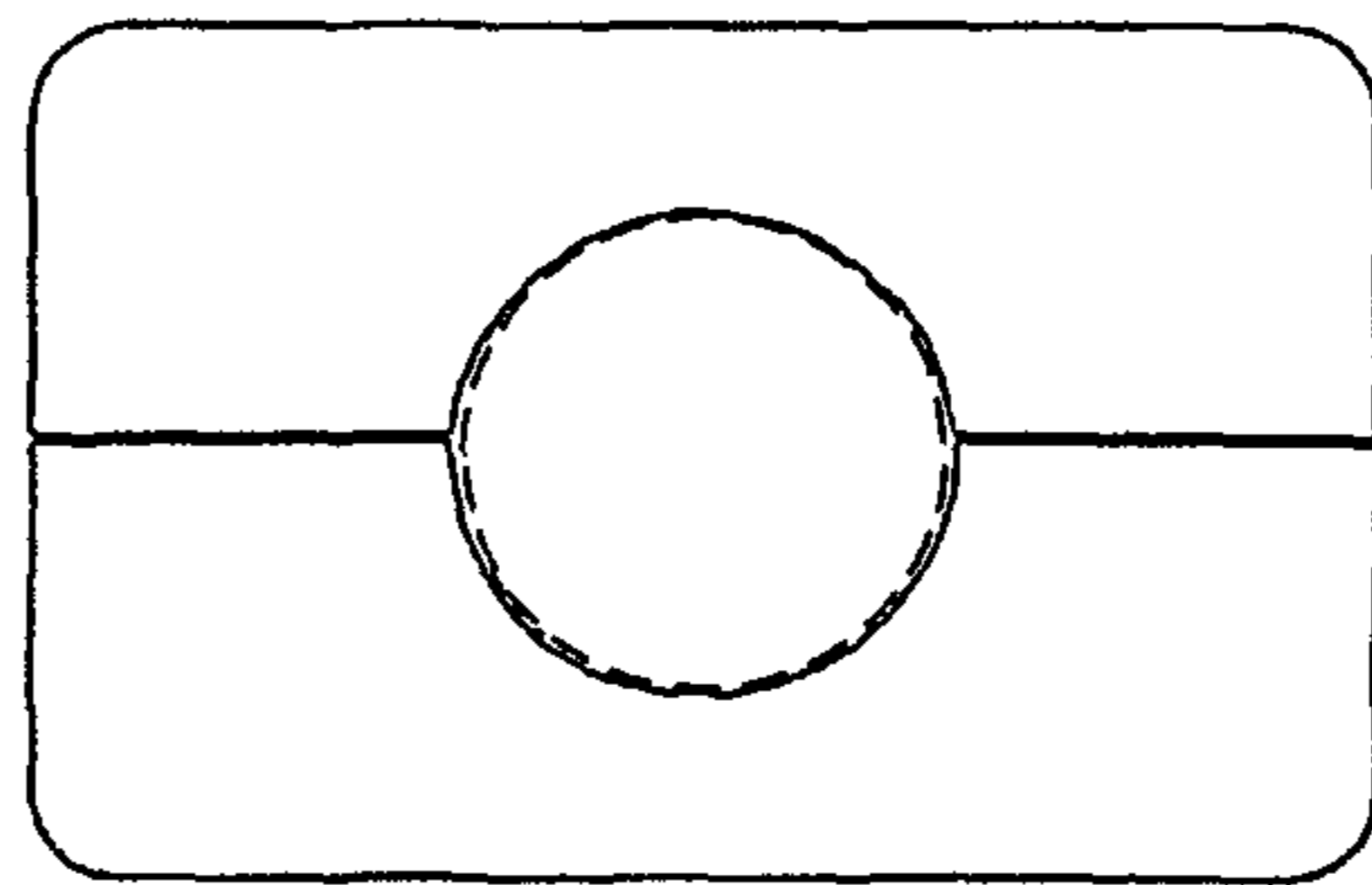


Fig. 2

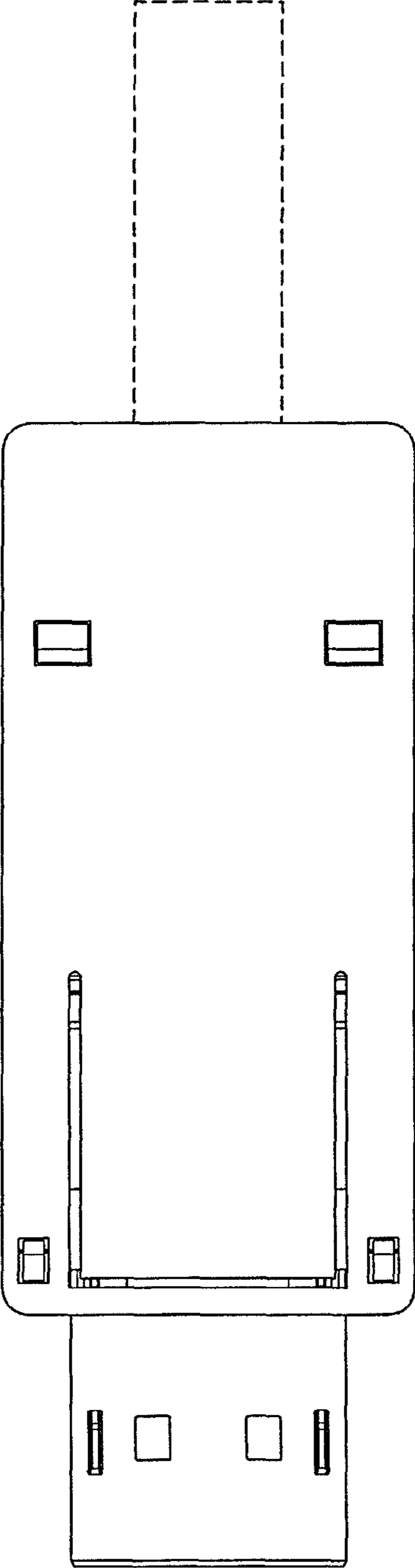


Fig. 3

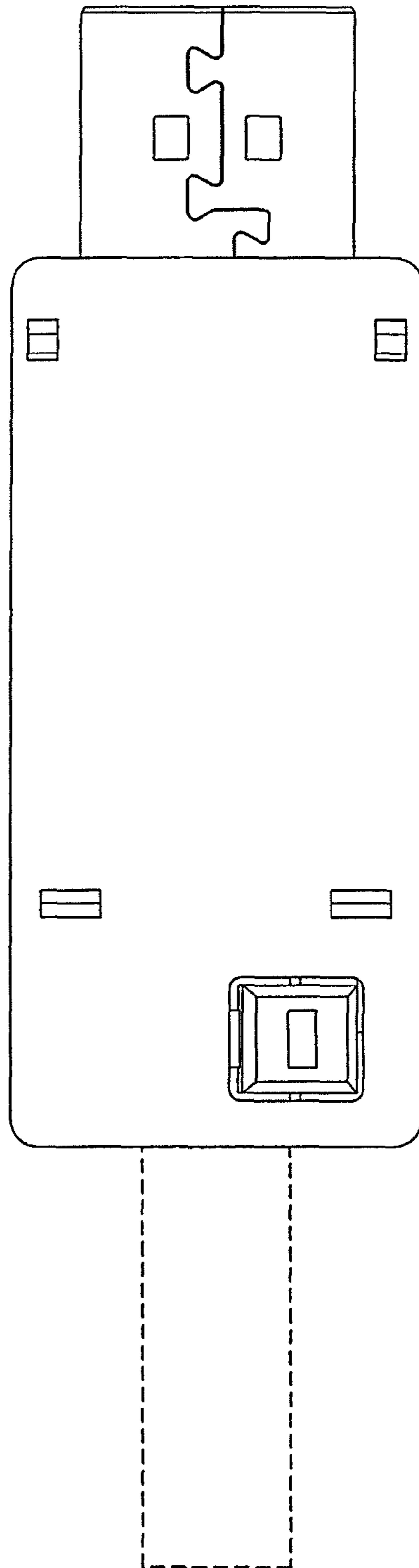


Fig. 4

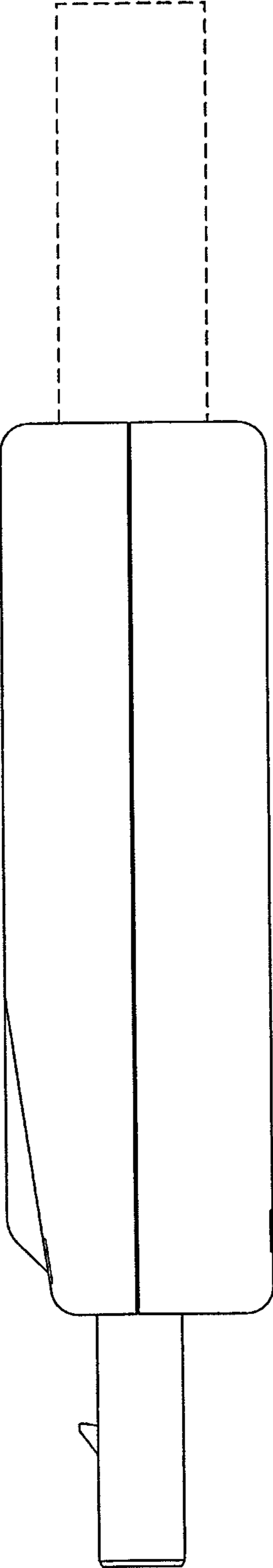


Fig. 5

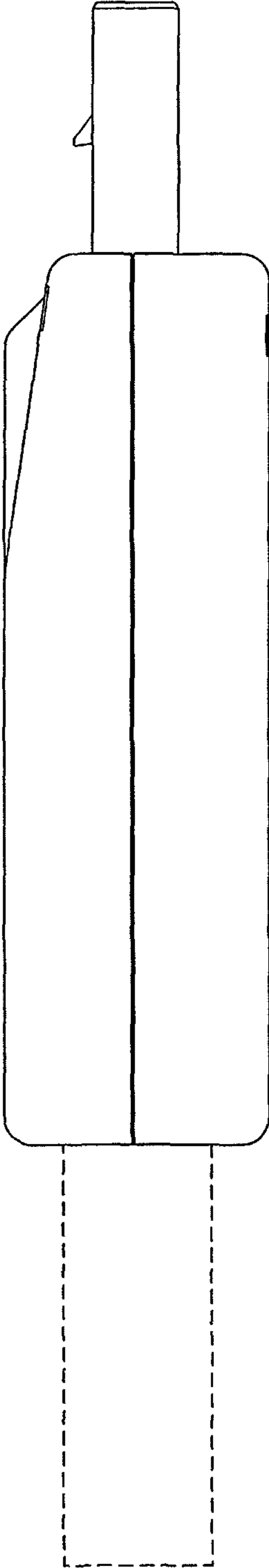


Fig. 6

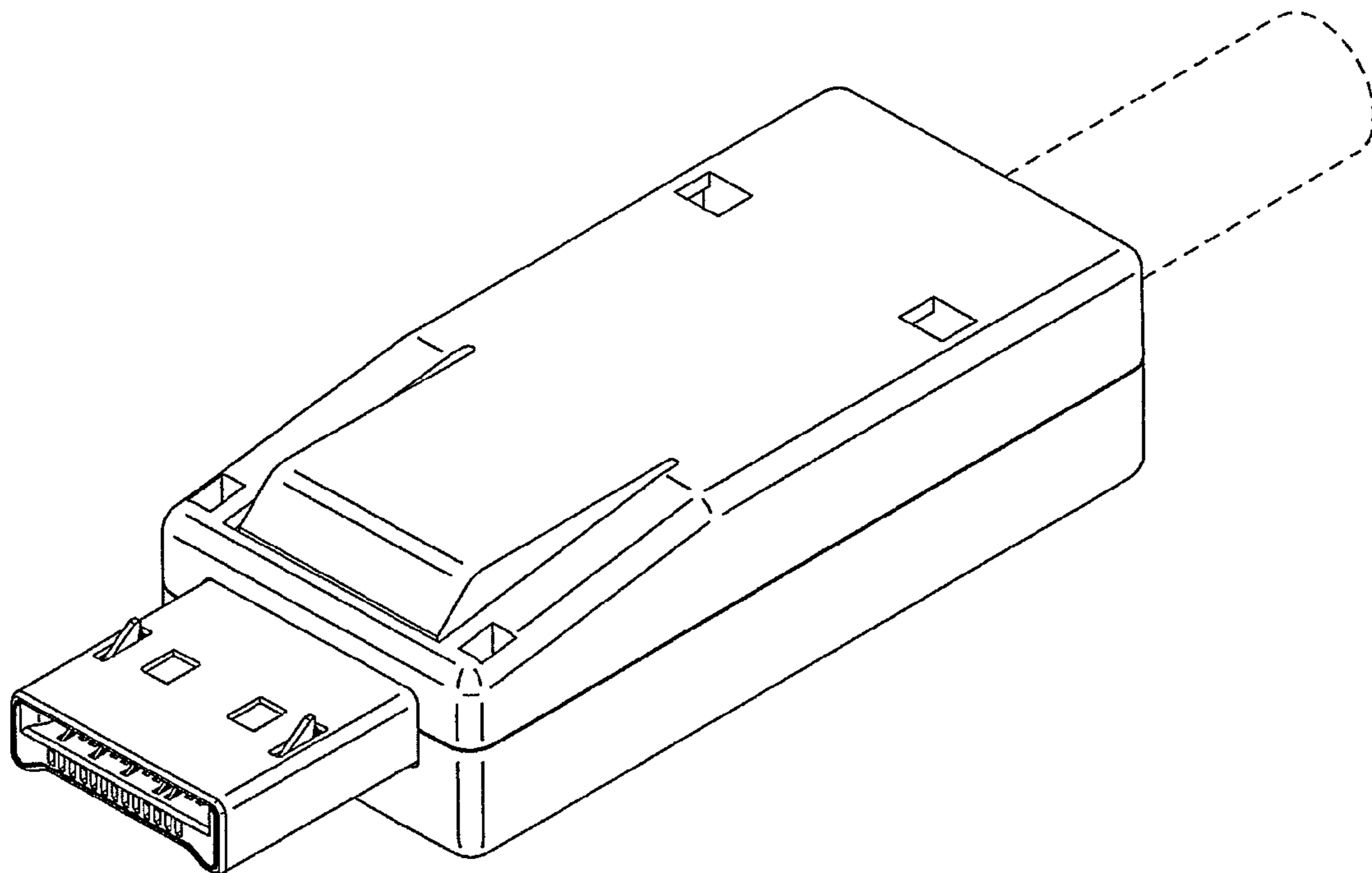


Fig. 7



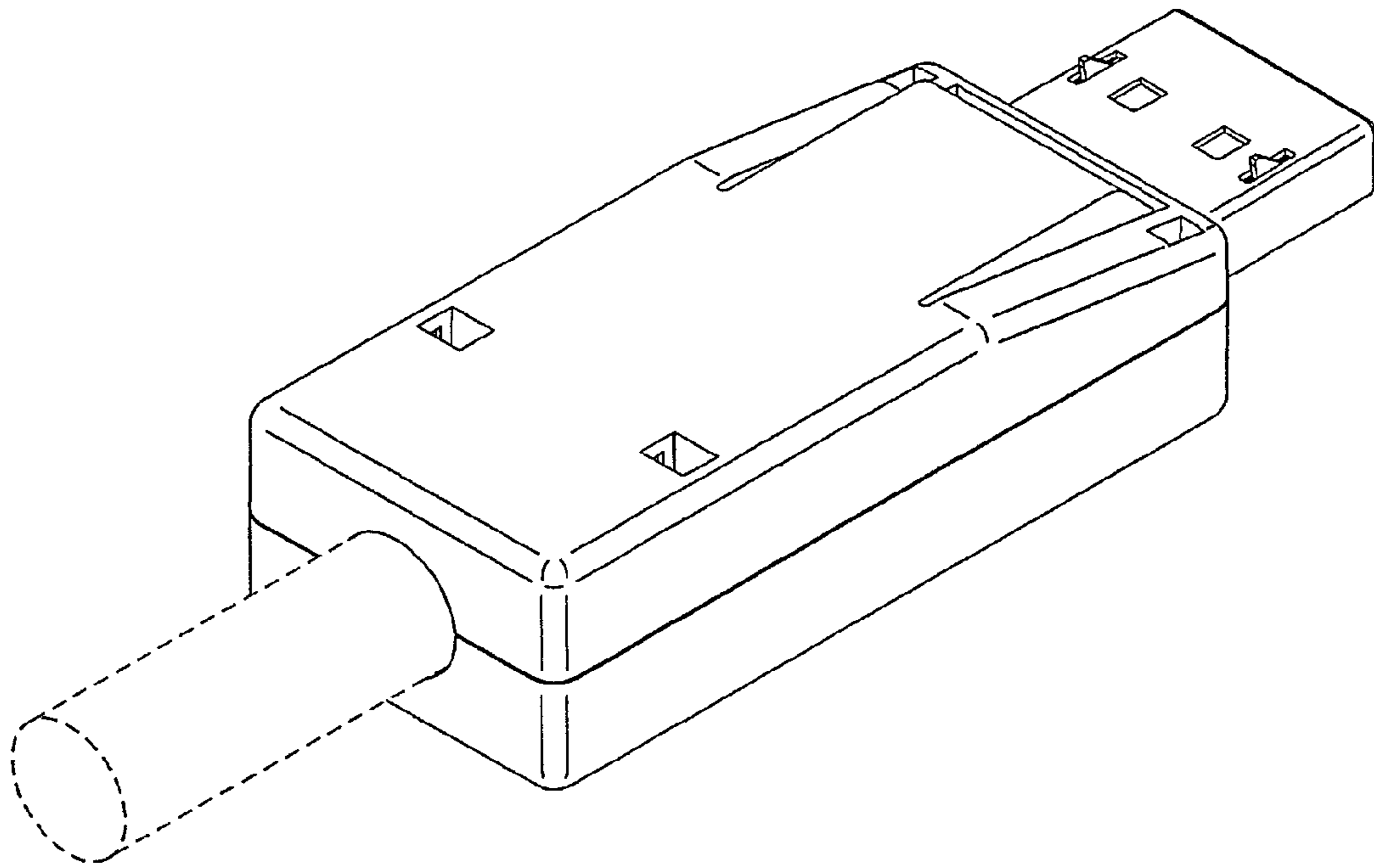


Fig. 8

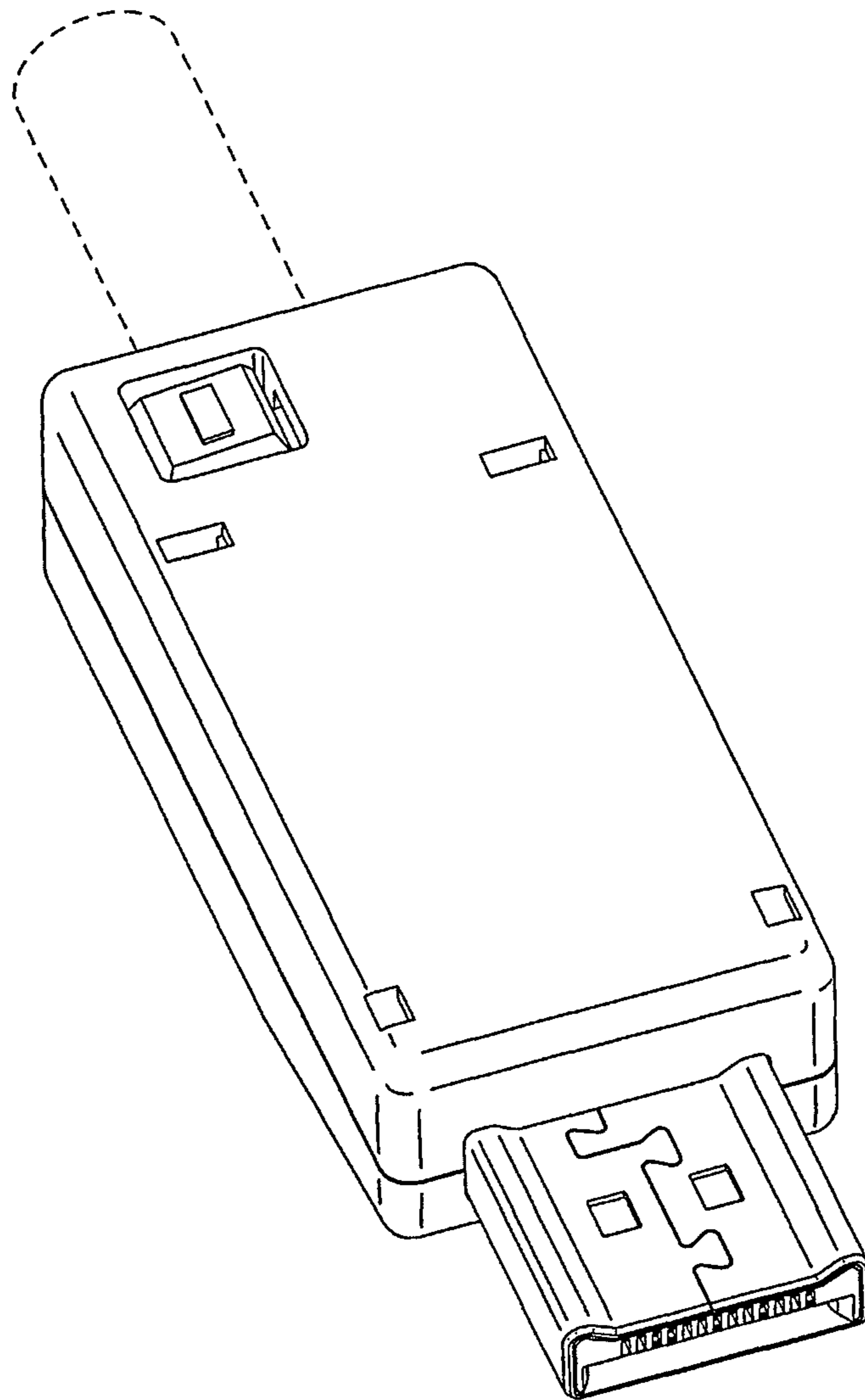


Fig. 9

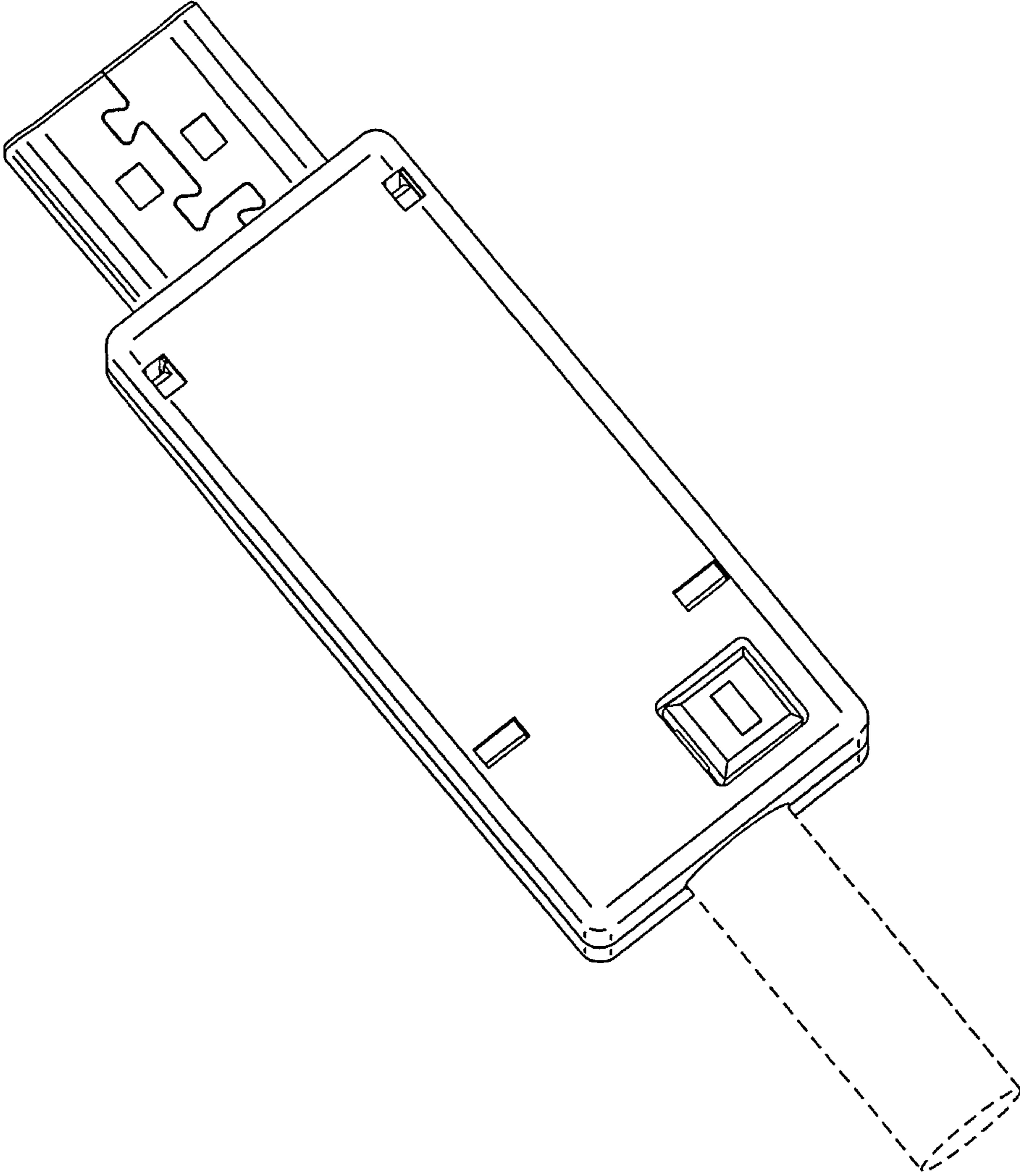


Fig. 10