



US00D704648S

(12) **United States Design Patent**  
**Grant et al.**

(10) **Patent No.:** **US D704,648 S**

(45) **Date of Patent:** **\*\* May 13, 2014**

(54) **BOARD-MOUNT CONNECTOR**

(71) Applicant: **AirBorn, Inc.**, Georgetown, TX (US)

(72) Inventors: **John Grant**, Sherborn, MA (US);  
**Emillio Bilili**, Novara (IT); **Jason Smith**, Sartell, MA (US); **Emad Soubh**, Camas, WA (US)

(73) Assignee: **AirBorn, Inc.**, Georgetown, TX (US)

(\*\*) Term: **14 Years**

(21) Appl. No.: **29/437,268**

(22) Filed: **Nov. 14, 2012**

(51) **LOC (10) Cl.** ..... **13-03**

(52) **U.S. Cl.**  
USPC ..... **D13/147**

(58) **Field of Classification Search**  
USPC ..... D13/146, 147, 154, 184, 199;  
439/78-79, 82, 180, 246, 252, 278,  
439/350-351, 353, 357, 374, 378-379, 381,  
439/527, 529, 533, 660, 676-677, 680, 686,  
439/692, 892, 894

See application file for complete search history.

(56) **References Cited**

**U.S. PATENT DOCUMENTS**

3,002,175	A *	9/1961	Rosenfeld et al.	439/564
D234,771	S *	4/1975	Saunders	D13/147
D235,552	S *	6/1975	Kerr et al.	D13/146
D252,082	S *	6/1979	Voelkert	D13/146
4,158,473	A *	6/1979	Shearer	439/518
4,179,179	A *	12/1979	Lowden	439/278
D270,246	S *	8/1983	Freimuth	D13/146
D306,010	S *	2/1990	Komatsu	D13/147
D308,511	S *	6/1990	Makita et al.	D13/146
D309,289	S *	7/1990	Endo et al.	D13/147
D311,375	S *	10/1990	Kuzuno et al.	D13/147
D317,903	S *	7/1991	Shibano	D13/147
D319,625	S *	9/1991	Nagasaka et al.	D13/146

5,399,045	A *	3/1995	Yoneda et al.	403/321
D409,573	S *	5/1999	Shimojo et al.	D13/147
D409,575	S *	5/1999	Okamoto	D13/147
D427,565	S *	7/2000	Lok	D13/147
D427,568	S *	7/2000	Ko et al.	D13/147
6,155,887	A	12/2000	Cuff et al.	
6,220,869	B1	4/2001	Grant et al.	
6,318,632	B1	11/2001	Grant et al.	
6,702,617	B1 *	3/2004	Clement et al.	439/607.08
D494,141	S *	8/2004	Spink, Jr.	D13/147
6,877,992	B2	4/2005	Grant et al.	
6,939,159	B1 *	9/2005	Klein et al.	439/352
7,021,942	B2	4/2006	Grant et al.	
7,187,076	B2	3/2007	Cuff et al.	
D543,508	S	5/2007	Dever	
D549,659	S	8/2007	Dever	
D560,613	S	1/2008	McEvoy et al.	

(Continued)

*Primary Examiner* — Daniel Bui

(74) *Attorney, Agent, or Firm* — Locke Lord LLP

(57) **CLAIM**

The ornamental design for a board-mount connector, as shown and described.

**DESCRIPTION**

FIG. 1 is a top perspective view of a board-mount connector showing our new design;

FIG. 2 is a front elevation view thereof;

FIG. 3 is a back elevation view thereof;

FIG. 4 is a left side elevation view thereof;

FIG. 5 is a right side elevation view thereof;

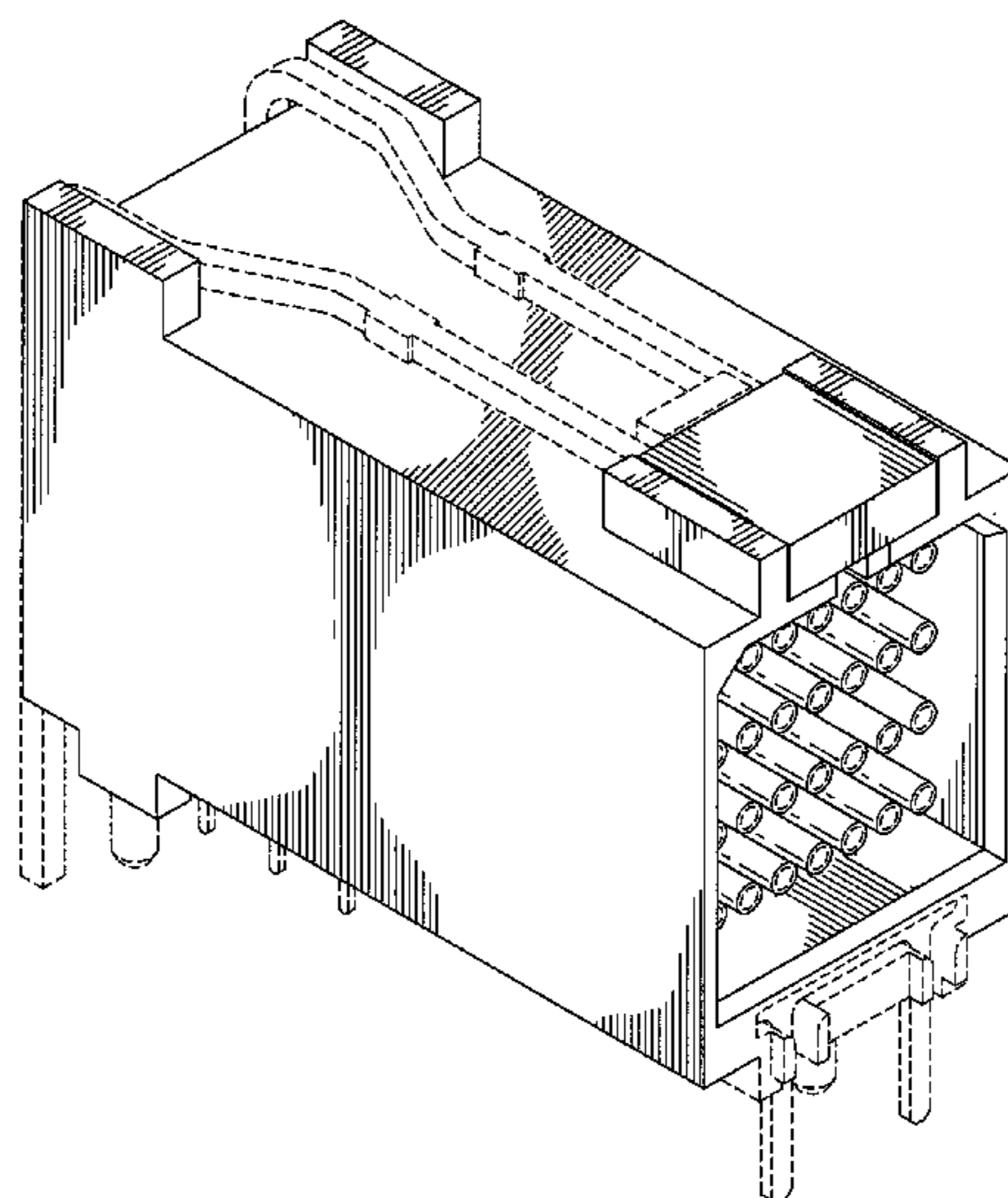
FIG. 6 is a top elevation view thereof;

FIG. 7 is a bottom elevation view thereof; and,

FIG. 8 is a bottom perspective view thereof.

The broken line in the figure drawing views is included for the purpose of illustrating unclaimed environment only and forms no part of the claim designed. The dash-dot line in the figure drawing views represent the boundary of the claimed design.

**1 Claim, 6 Drawing Sheets**



(56)

**References Cited**

U.S. PATENT DOCUMENTS

D560,614 S	1/2008	McEvoy et al.	D563,878 S	3/2008	Grant	
D561,103 S	2/2008	Grant	D563,879 S	3/2008	Grant	
D561,107 S	2/2008	Cuff et al.	D563,880 S	3/2008	Grant	
D561,108 S	2/2008	Cuff et al.	D563,881 S	3/2008	Howerton et al.	
D561,109 S	2/2008	Howerton et al.	D563,882 S	3/2008	Howerton et al.	
D561,110 S	2/2008	Howerton et al.	D563,883 S	3/2008	Dever	
D561,698 S	2/2008	Cuff et al.	D563,884 S	3/2008	Dever	
D562,248 S	2/2008	Howerton et al.	D563,885 S	3/2008	Dever	
D562,249 S	2/2008	Howerton et al.	D563,886 S	3/2008	Dever	
D562,775 S	2/2008	Cuff et al.	D563,887 S	3/2008	Dever	
D563,877 S	3/2008	Grant	D597,492 S *	8/2009	Sakamoto .....	D13/147
			D597,956 S *	8/2009	Sakamoto .....	D13/147
			D597,957 S *	8/2009	Sakamoto .....	D13/147
			D610,996 S *	3/2010	Sakamoto .....	D13/147

\* cited by examiner

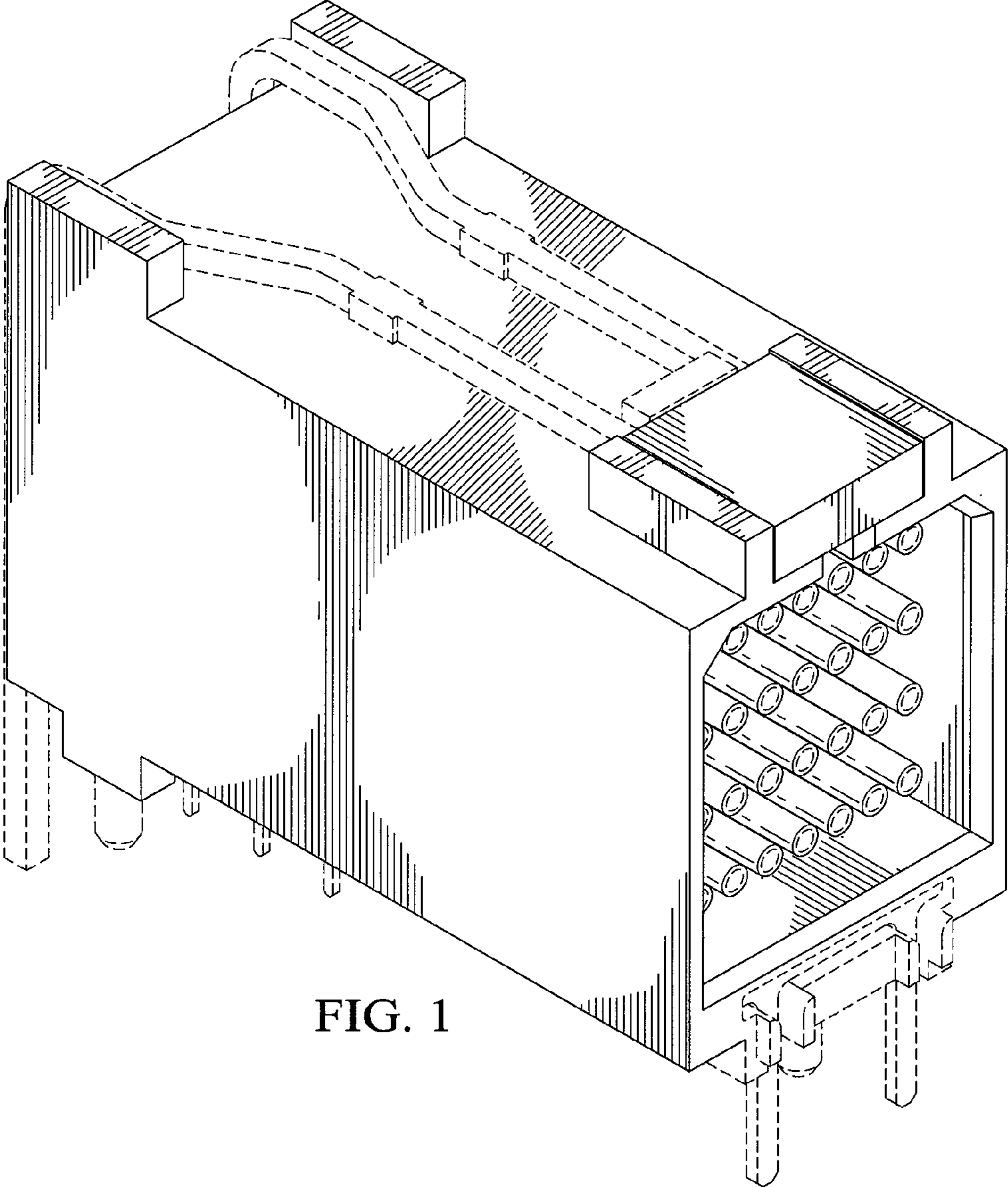


FIG. 1

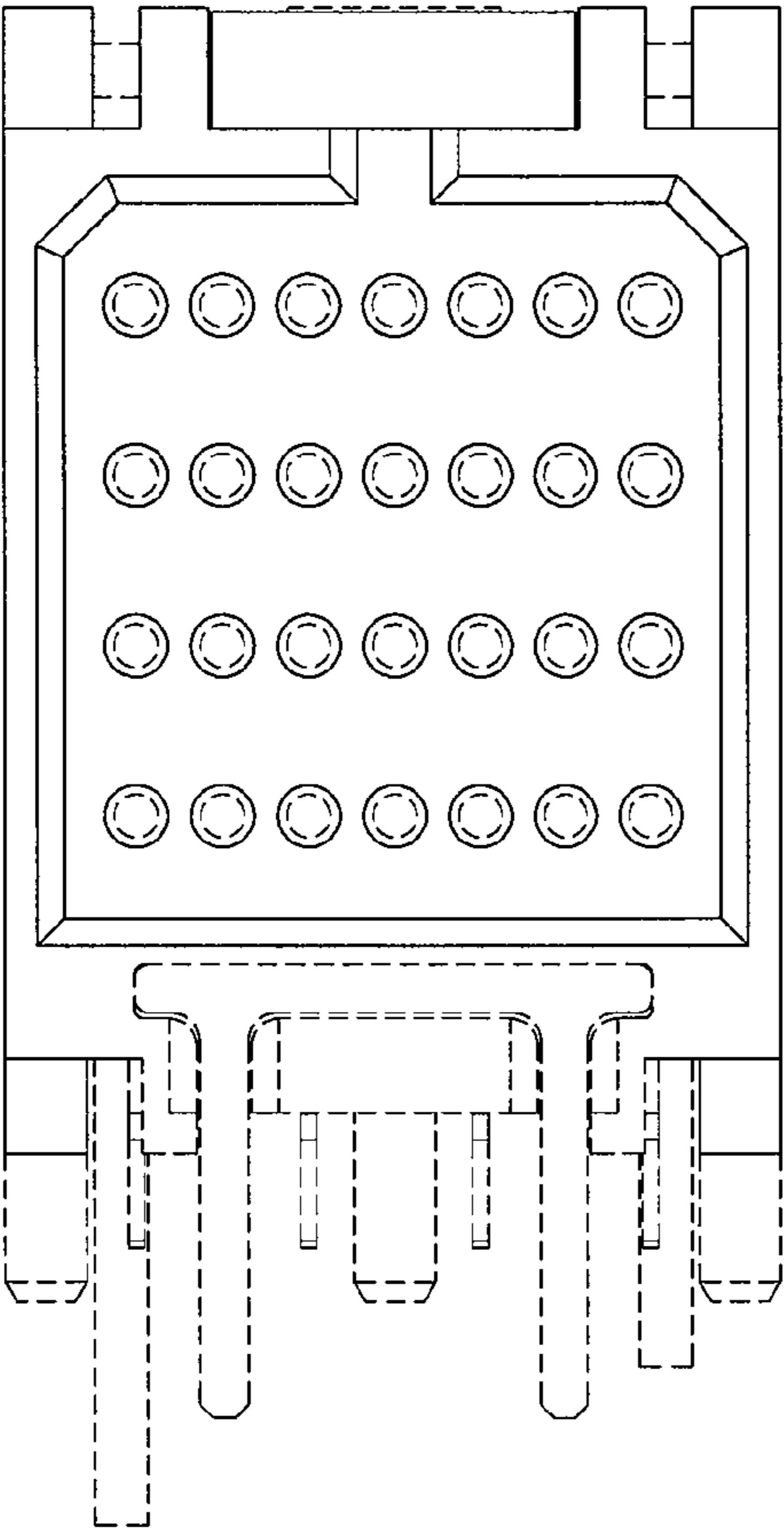


FIG. 2

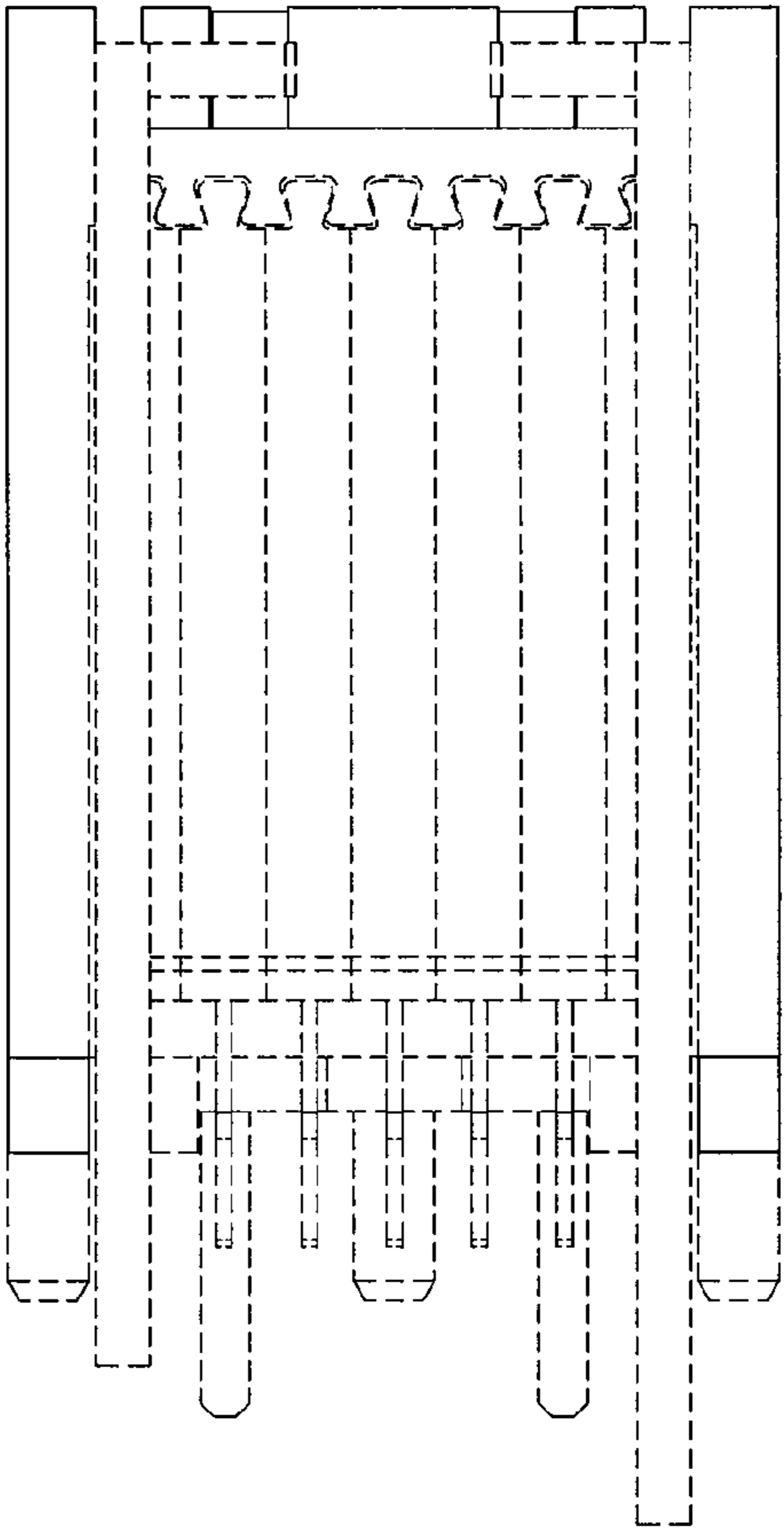


FIG. 3

FIG. 4

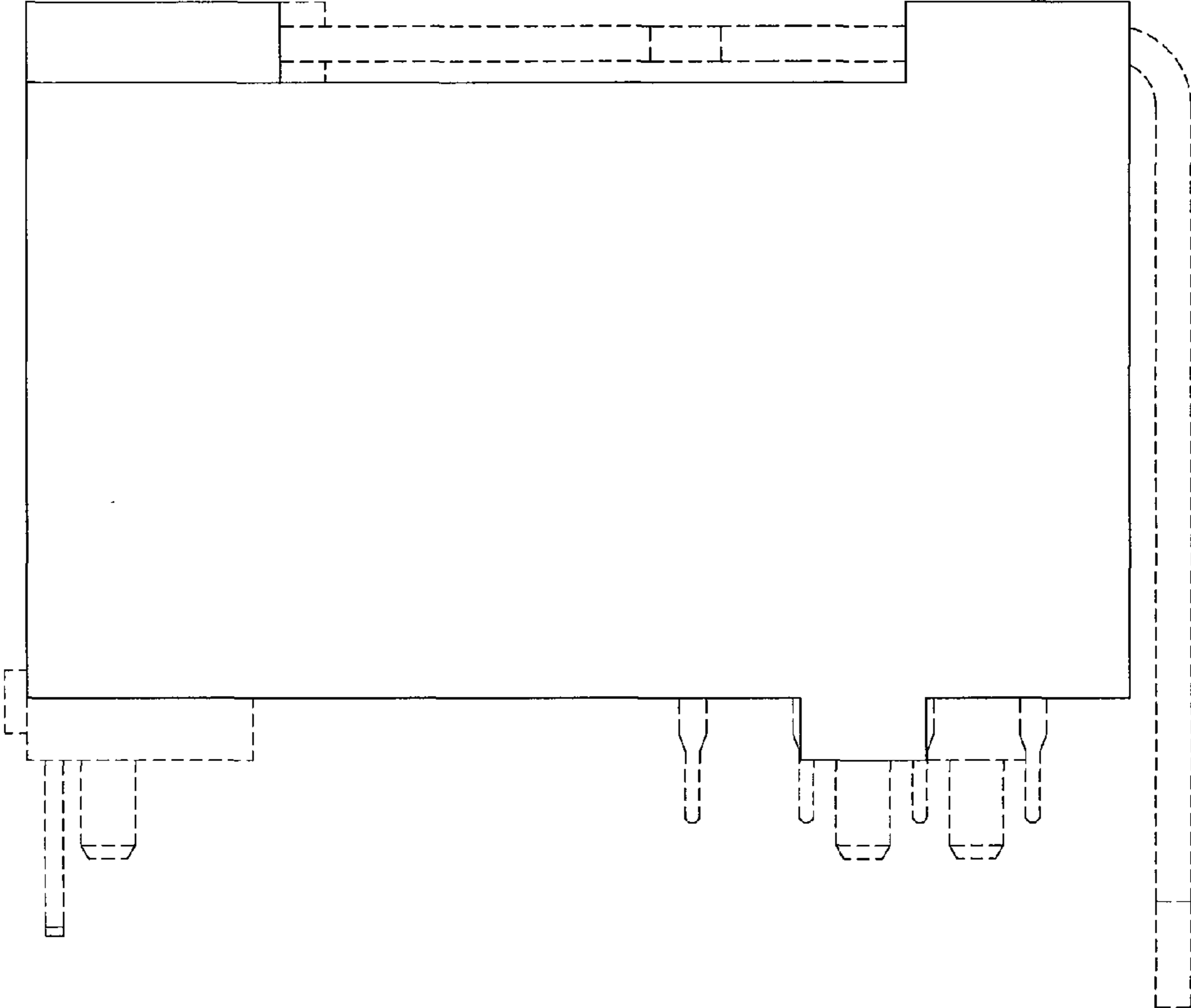
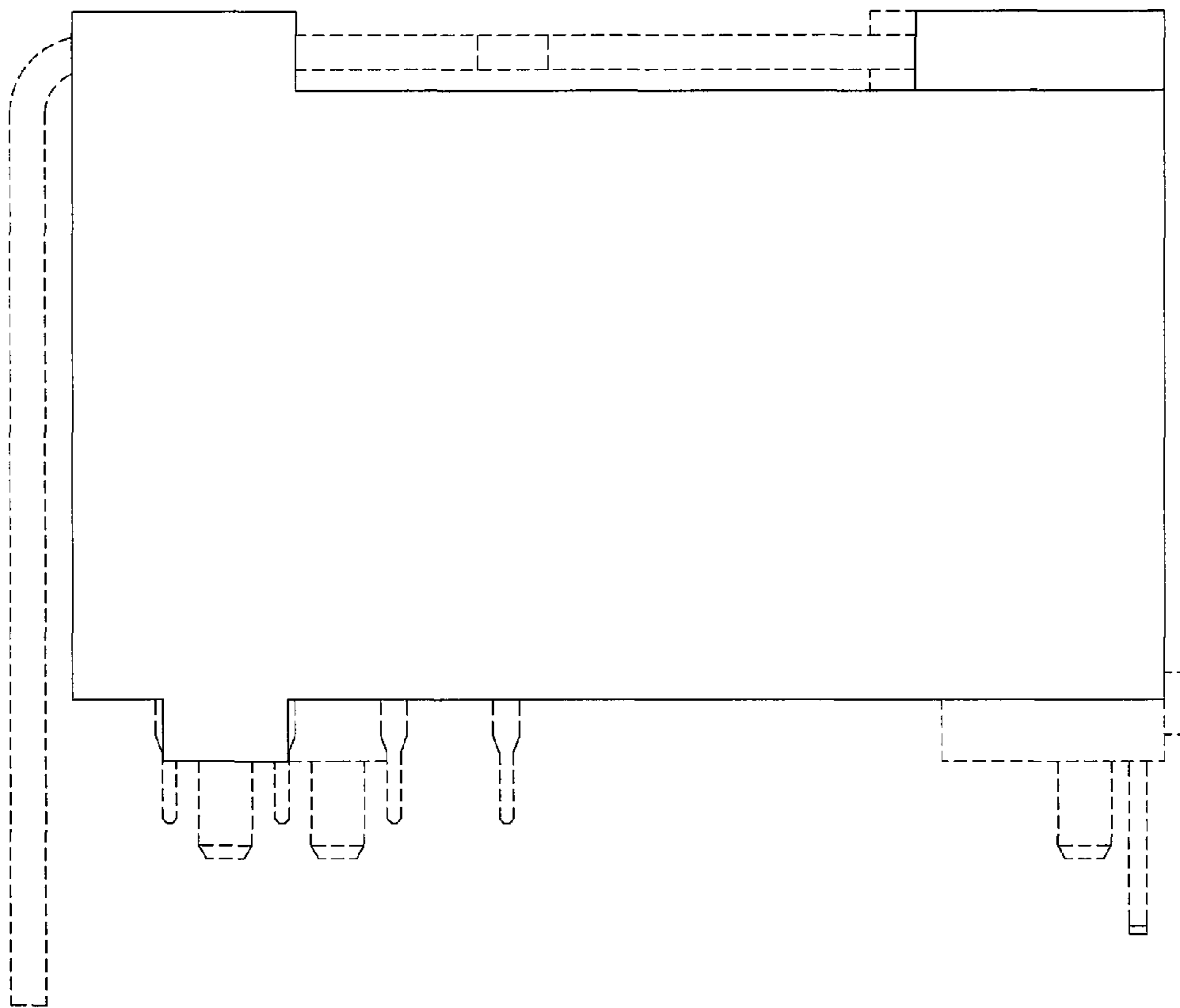


FIG. 5



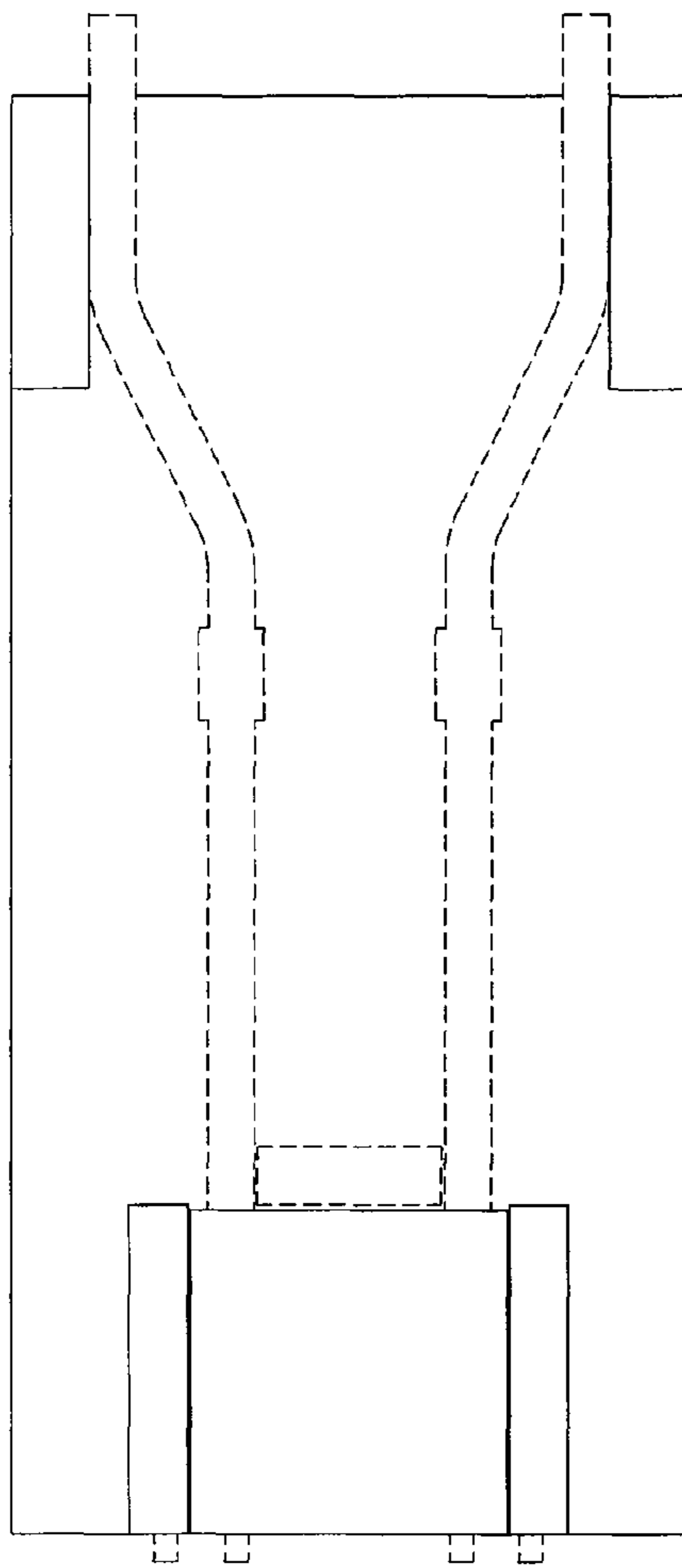


FIG. 6

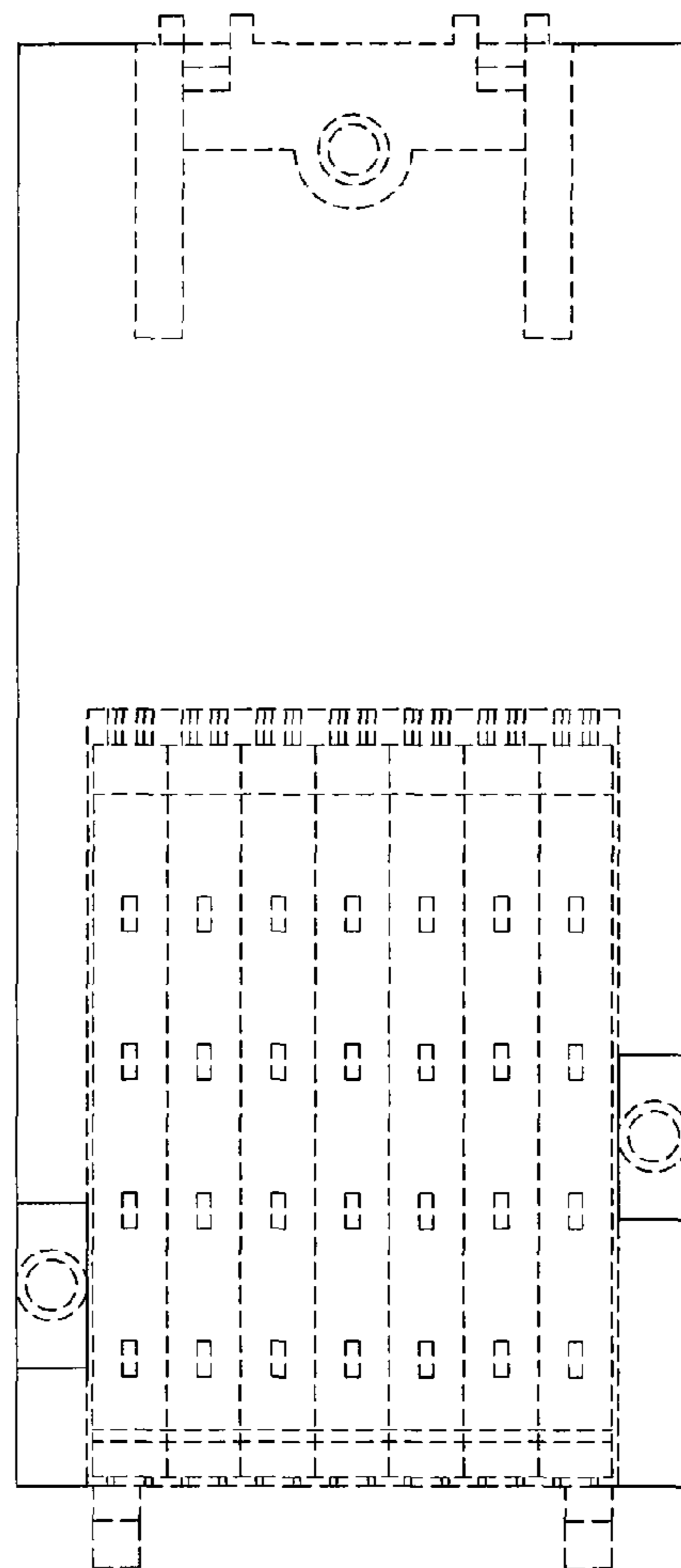


FIG. 7

