



US00D704645S

(12) **United States Design Patent**
Nomura et al.

(10) **Patent No.:** **US D704,645 S**

(45) **Date of Patent:** **** May 13, 2014**

(54) **HOUSING FOR A CONNECTOR**

D404,360 S * 1/1999 Brorsson et al. D13/147
D477,285 S * 7/2003 Miyamoto et al. D13/147
D511,142 S * 11/2005 de Jonge et al. D13/147

(75) Inventors: **Rika Nomura**, Tokyo (JP); **Koji Nakagawa**, Tokyo (JP); **Norio Chujo**, Tokyo (JP); **Yuichi Koreeda**, Tokyo (JP)

* cited by examiner

(73) Assignees: **Hitachi, Ltd.**, Tokyo (JP); **Japan Aviation Electronics Industry, Limited**, Tokyo (JP)

Primary Examiner — Daniel Bui

(74) *Attorney, Agent, or Firm* — Westermann, Hattori, Daniels & Adrian, LLP

(**) Term: **14 Years**

(57) **CLAIM**

The ornamental design for a housing for a connector, as shown and described.

(21) Appl. No.: **29/417,811**

DESCRIPTION

(22) Filed: **Apr. 9, 2012**

(30) **Foreign Application Priority Data**

Oct. 26, 2011 (JP) 2011-024643

(51) **LOC (10) Cl.** **13-03**

(52) **U.S. Cl.**
USPC **D13/147**

(58) **Field of Classification Search**
USPC D13/133, 146–147, 154, 184, 199;
439/180, 246, 278, 374, 379, 381, 527,
439/529, 533, 892, 894
See application file for complete search history.

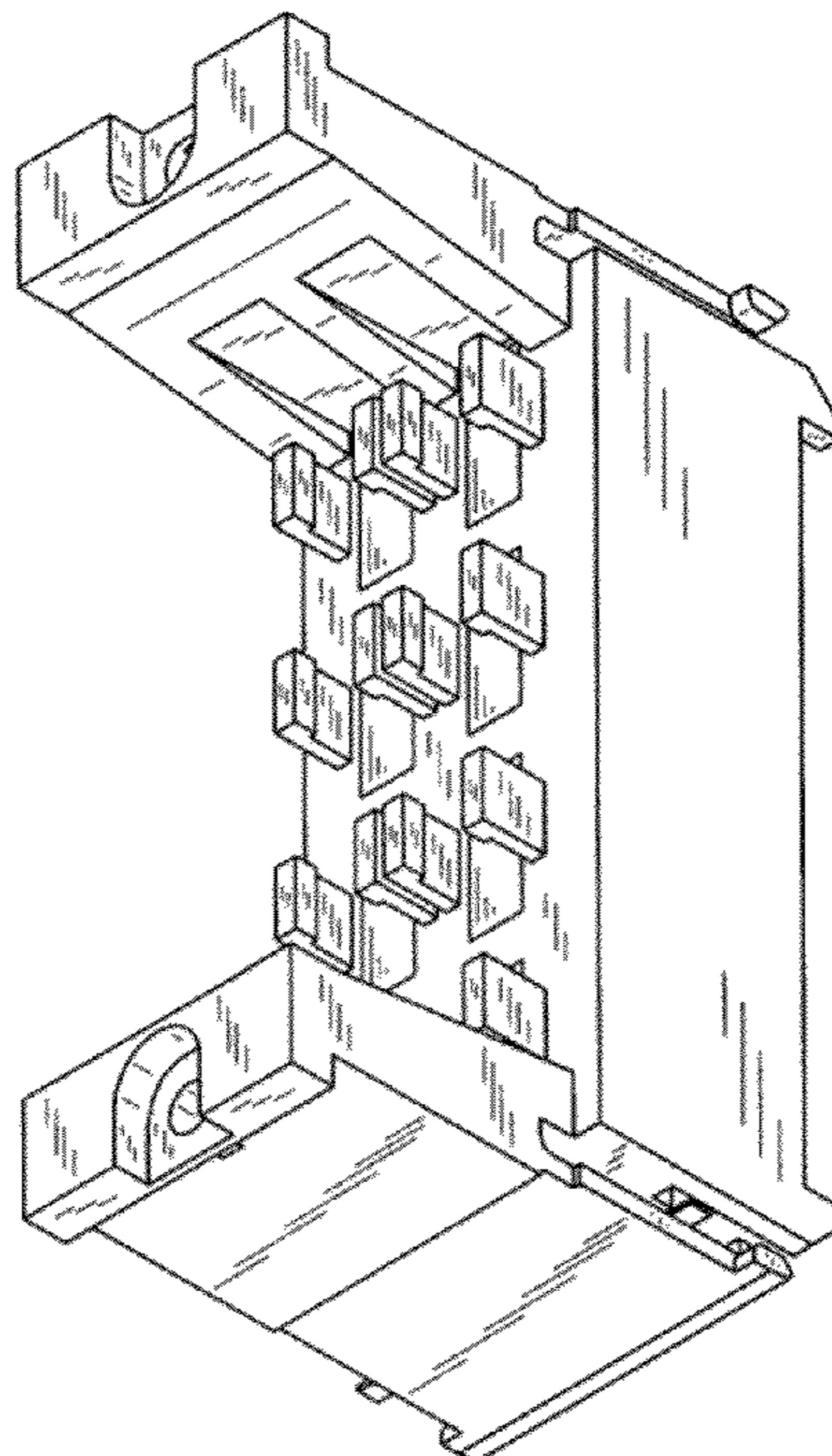
FIG. 1 is a front elevational view of a housing for a connector showing our new design;
FIG. 2 is a rear elevational view thereof;
FIG. 3 is a right side elevational view thereof;
FIG. 4 is a left side elevational view thereof;
FIG. 5 is a top plan view thereof;
FIG. 6 is a bottom plan view thereof;
FIG. 7 is a cross-sectional view taken along line “7-7” of FIG. 2 thereof;
FIG. 8 is a front, top and right side perspective view thereof;
FIG. 9 is a rear, bottom and left side perspective view thereof;
FIG. 10 is a front, right and bottom side perspective view thereof;
FIG. 11 is a rear, left and top side perspective view thereof;
FIG. 12 is a front, right and bottom perspective view thereof, in opened state; and,
FIG. 13 is a top plan view thereof, in opened state.

(56) **References Cited**

U.S. PATENT DOCUMENTS

D319,215 S * 8/1991 Takenouchi et al. D13/147
D404,359 S * 1/1999 Brorsson et al. D13/147

1 Claim, 12 Drawing Sheets



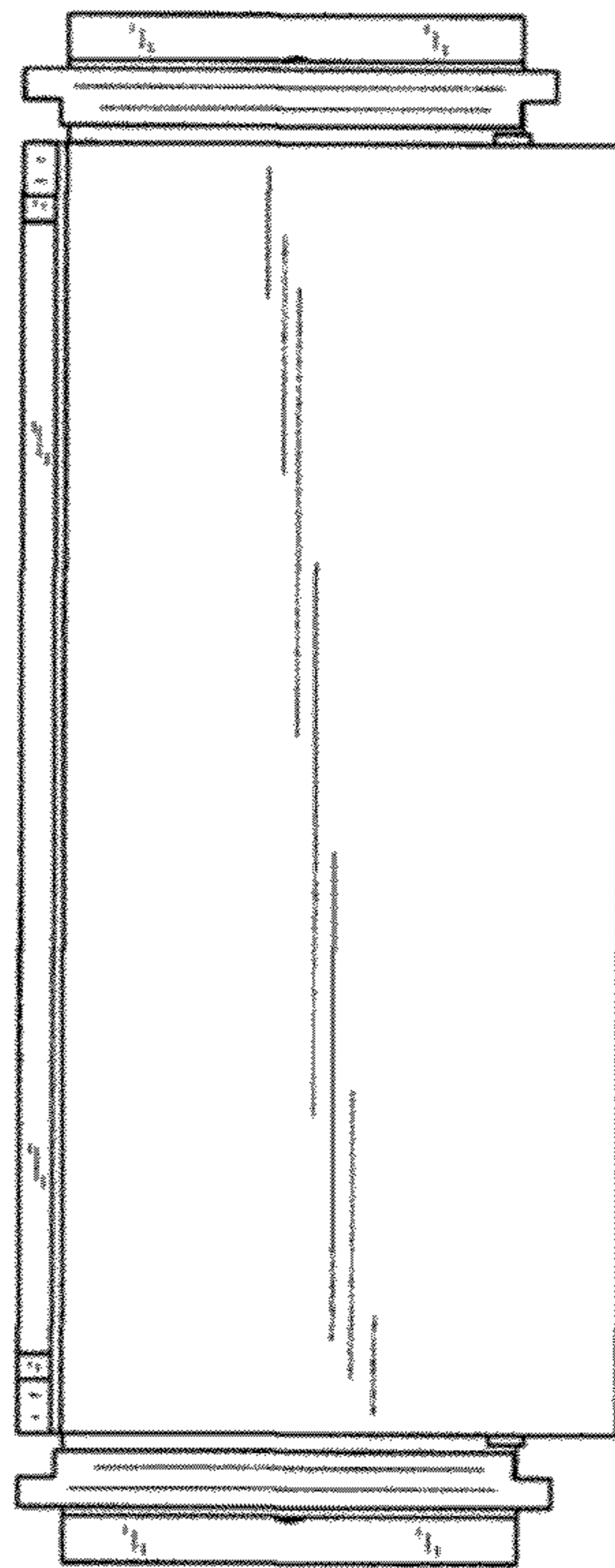


FIG. 1

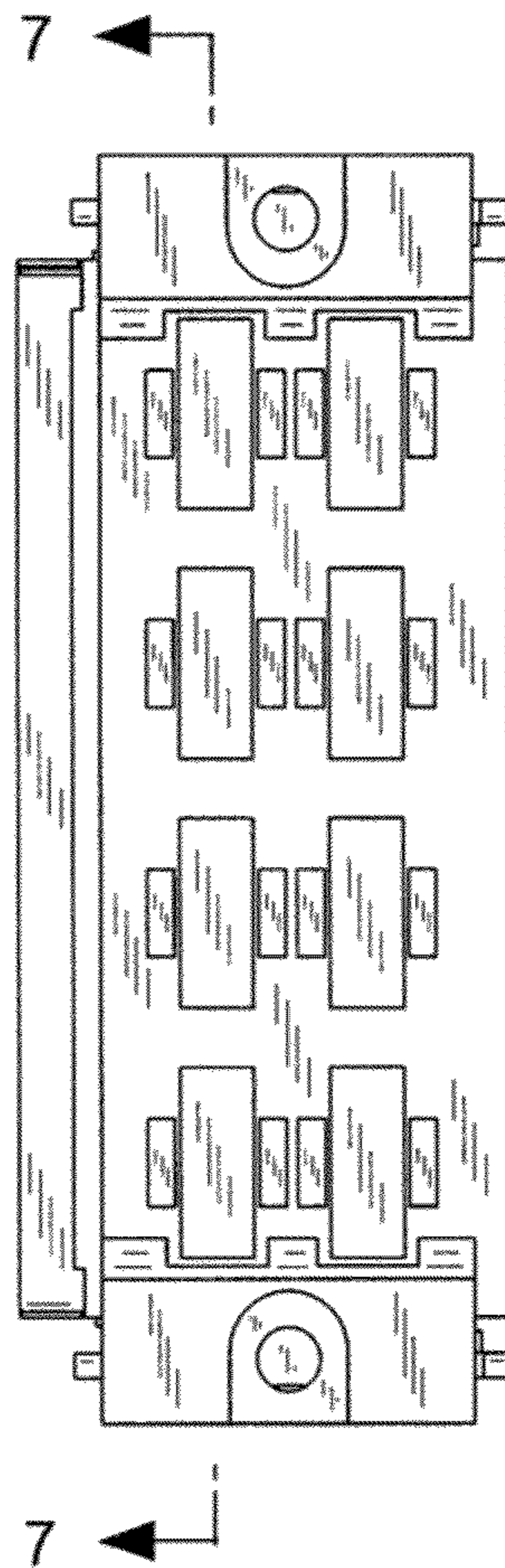


FIG.2

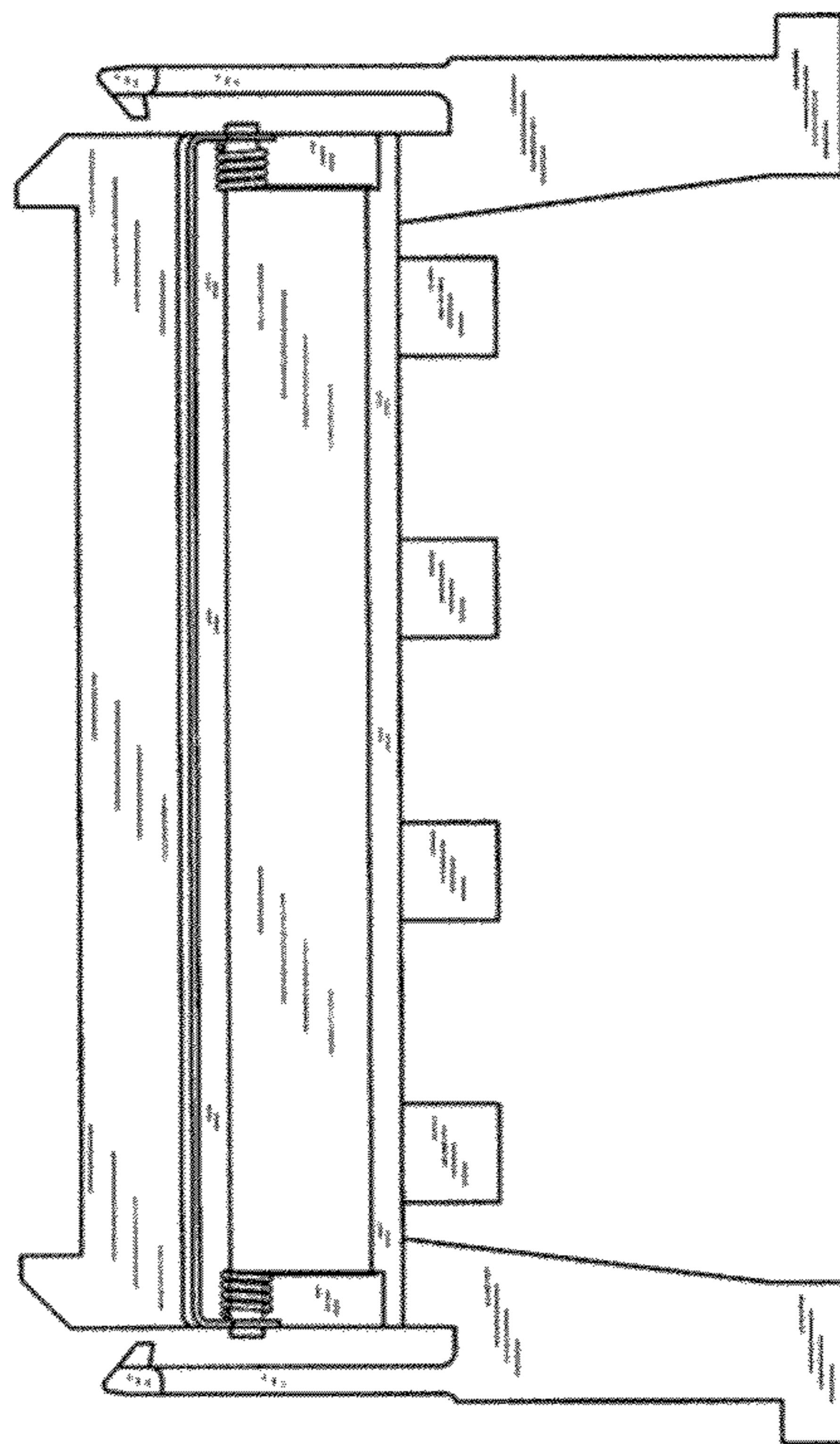


FIG.3

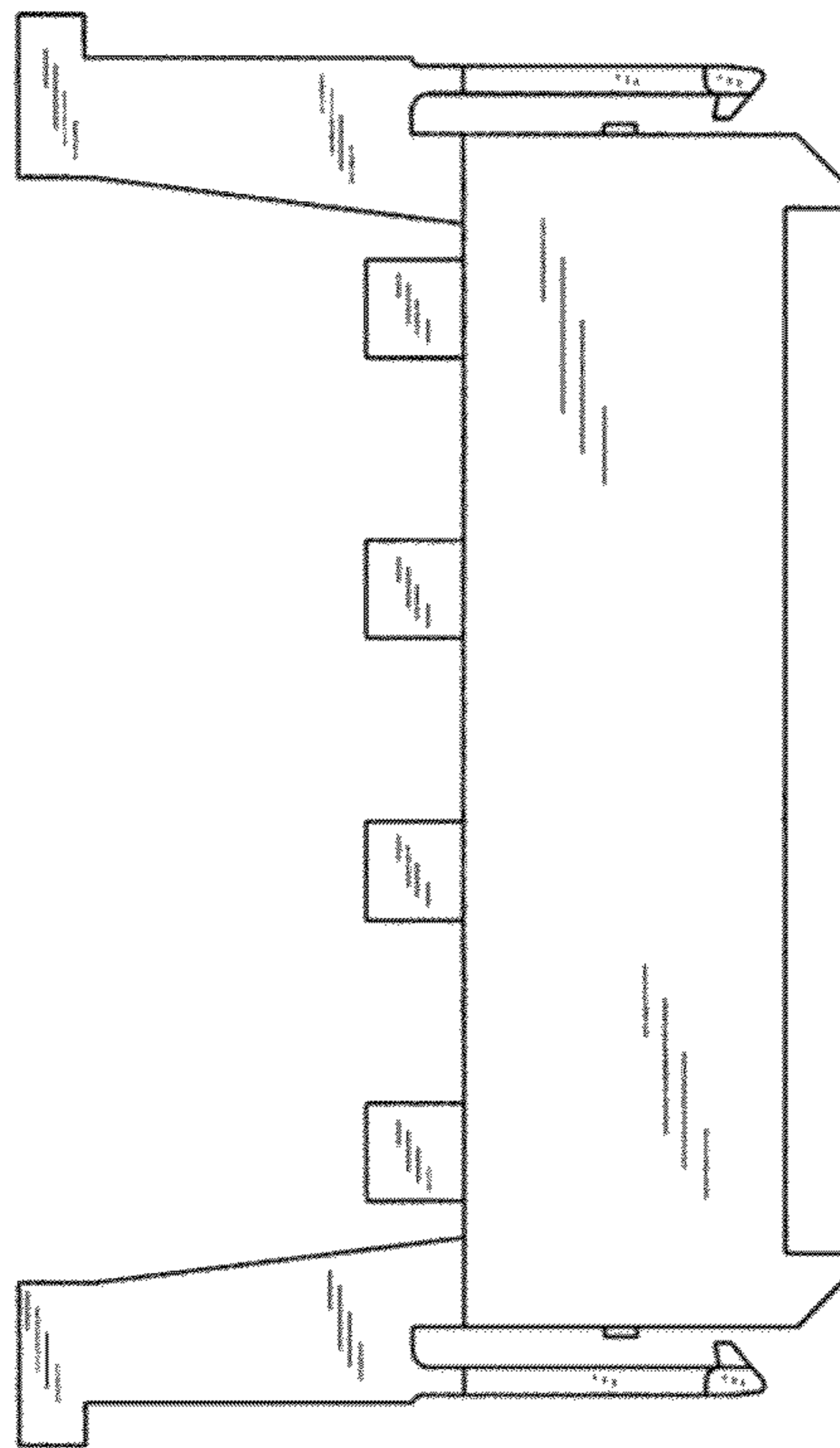


FIG.4

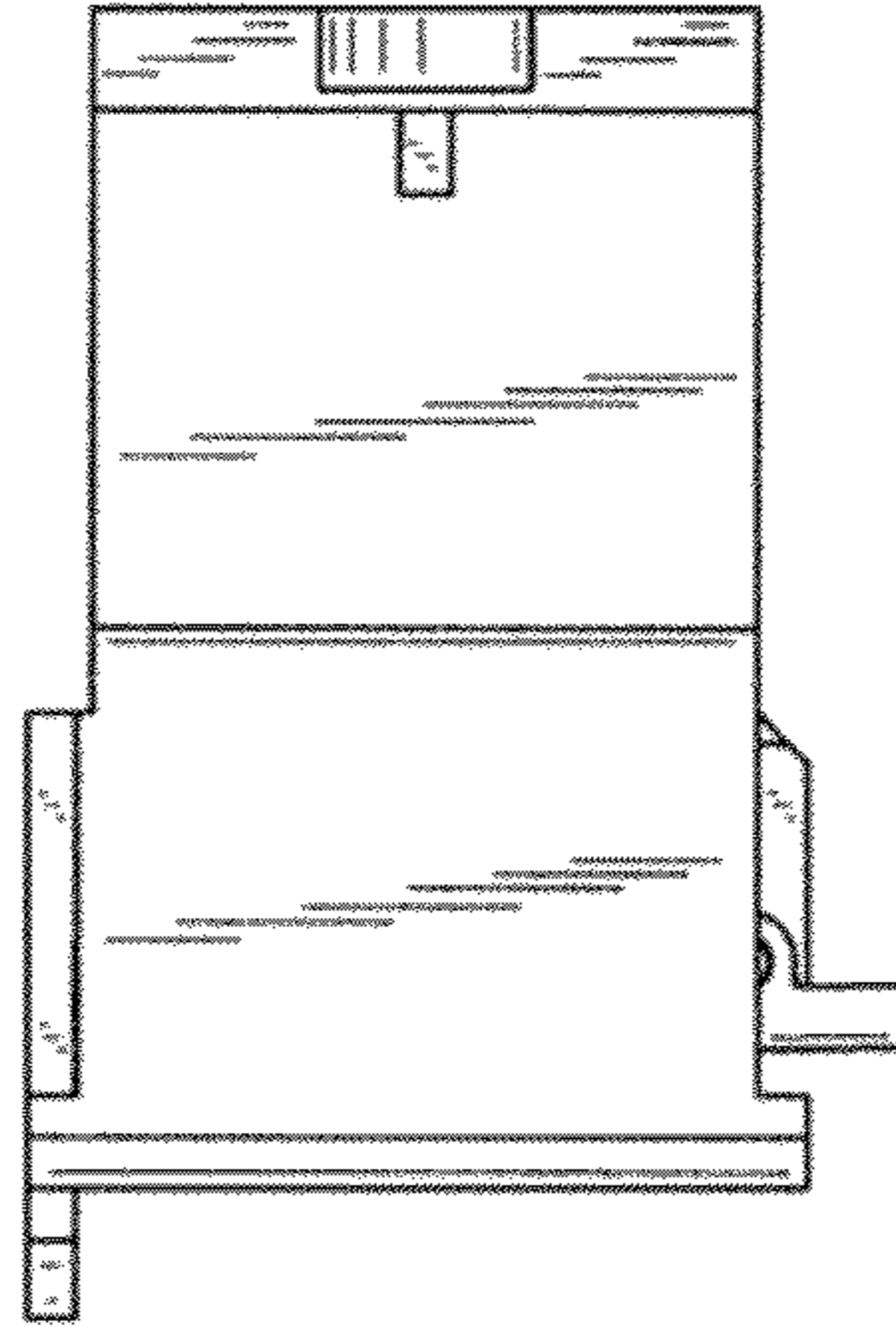


FIG. 5

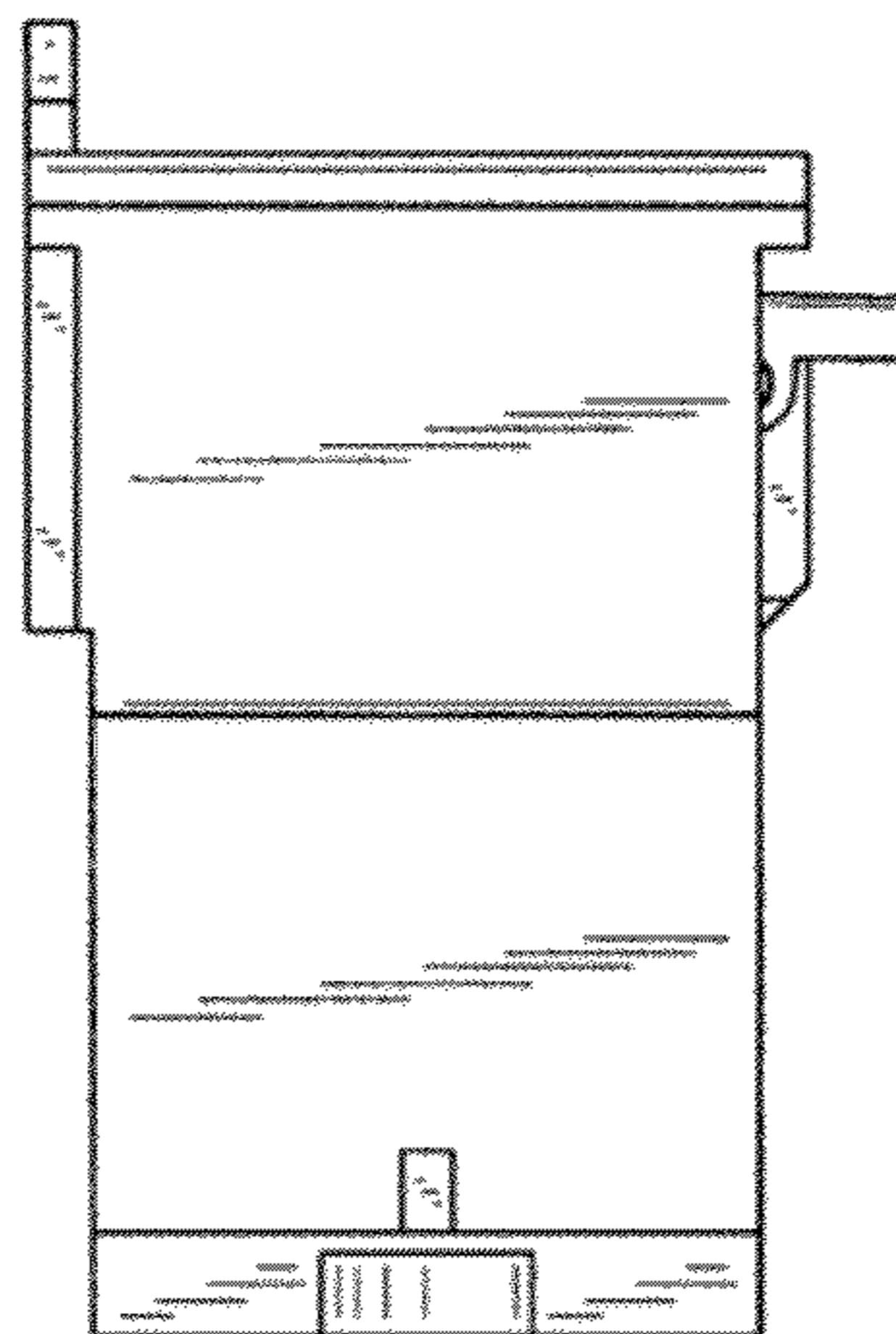


FIG. 6

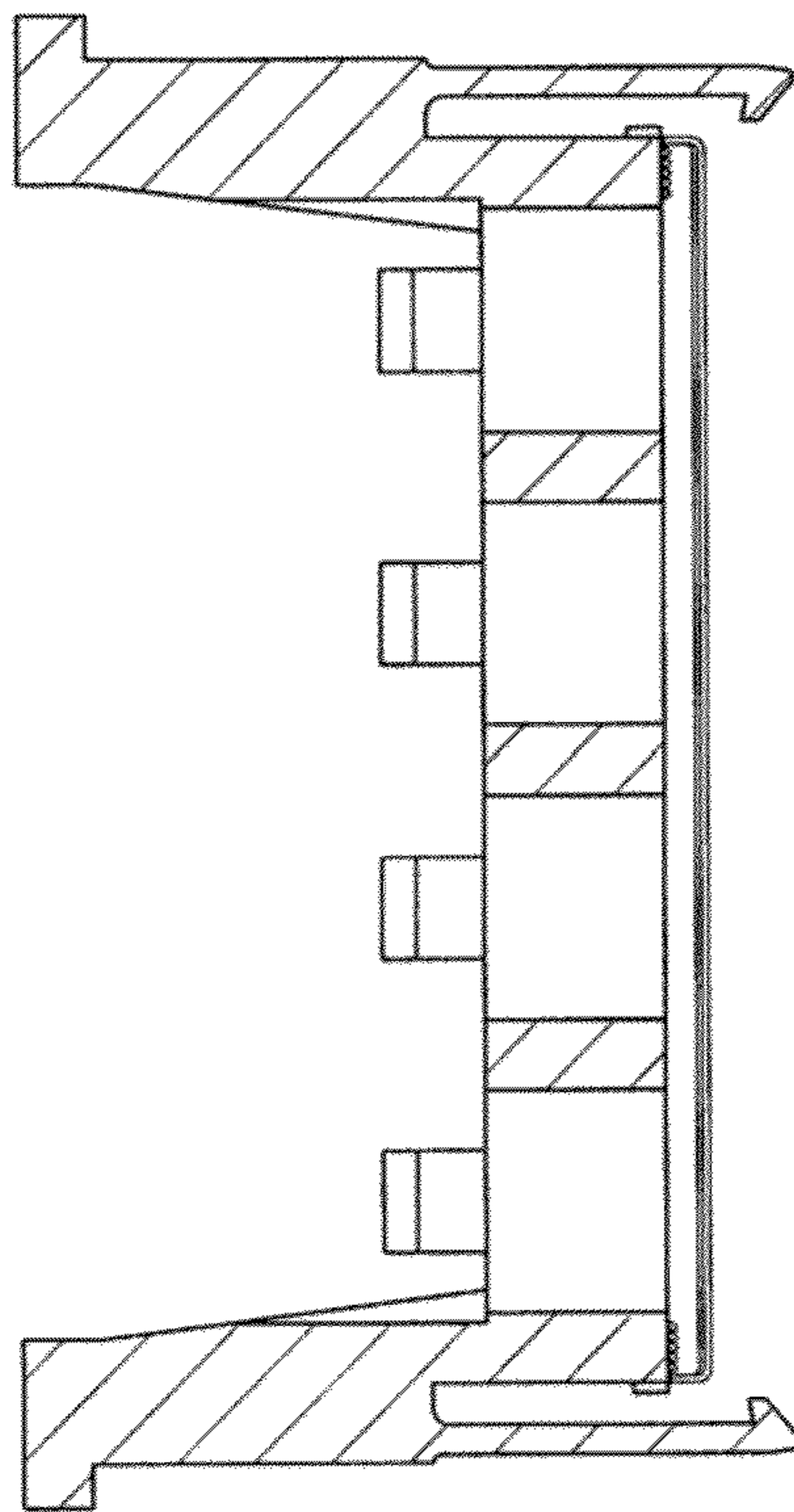


FIG.7

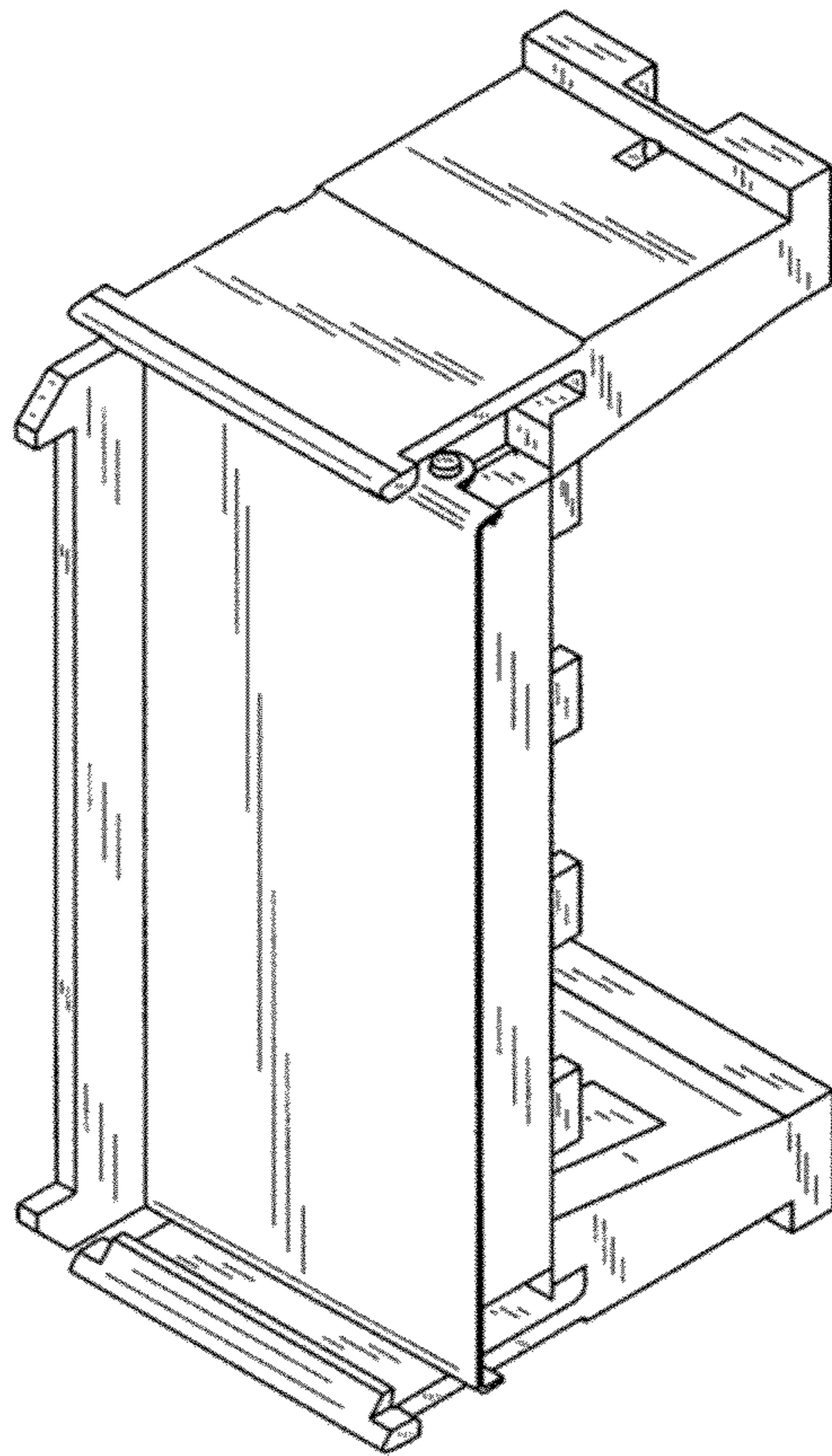


FIG.8

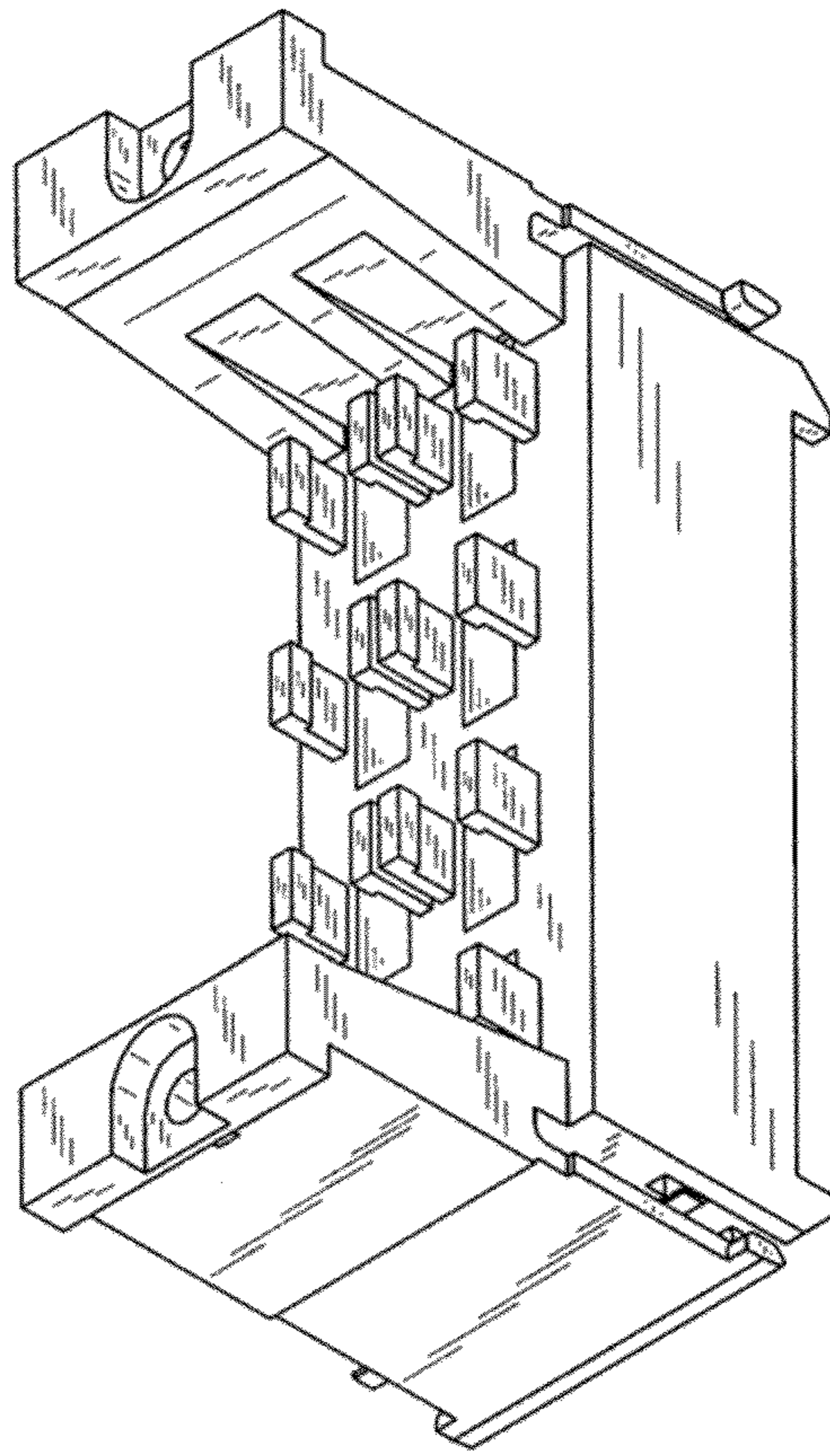


FIG.9

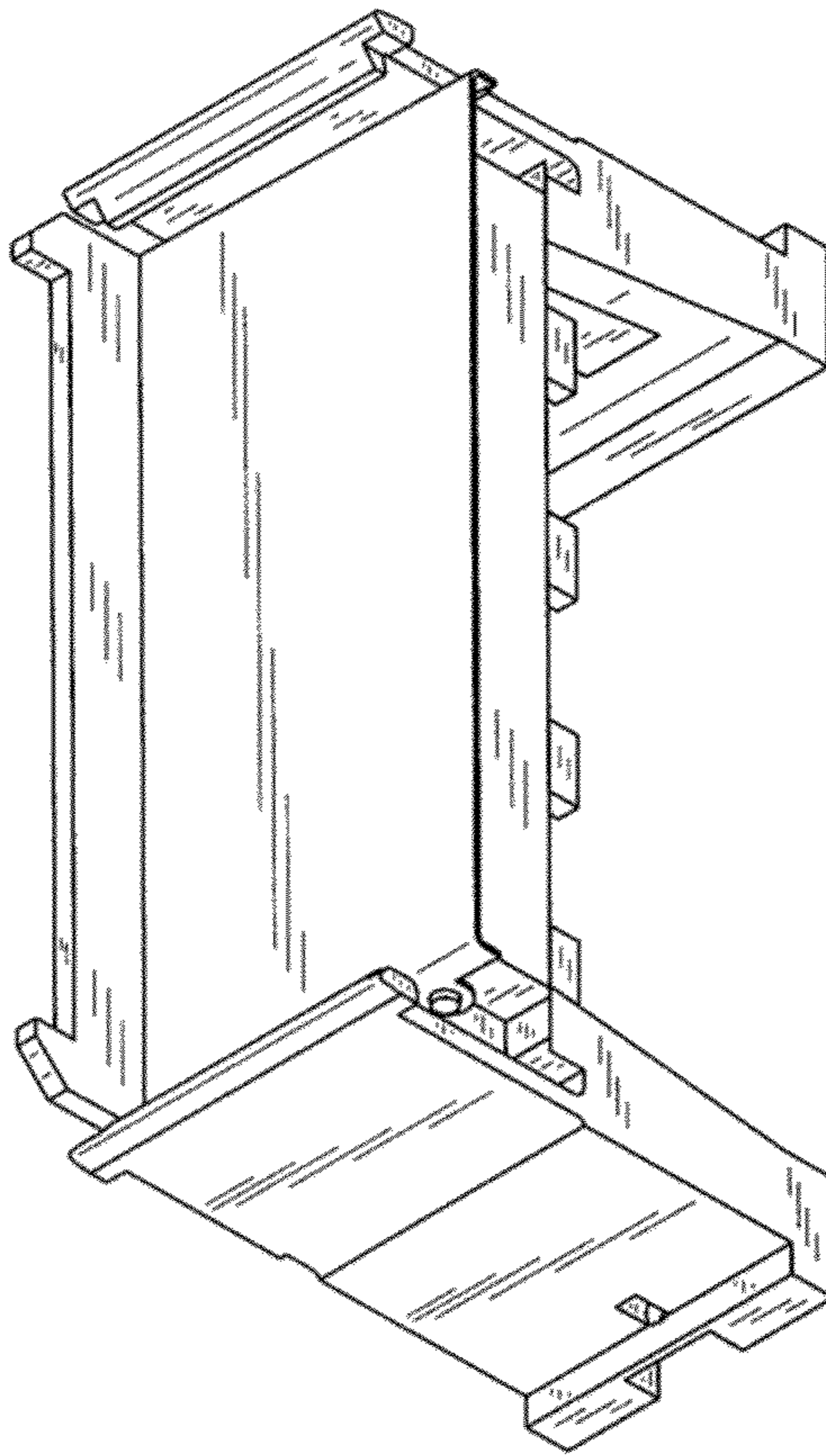


FIG.10

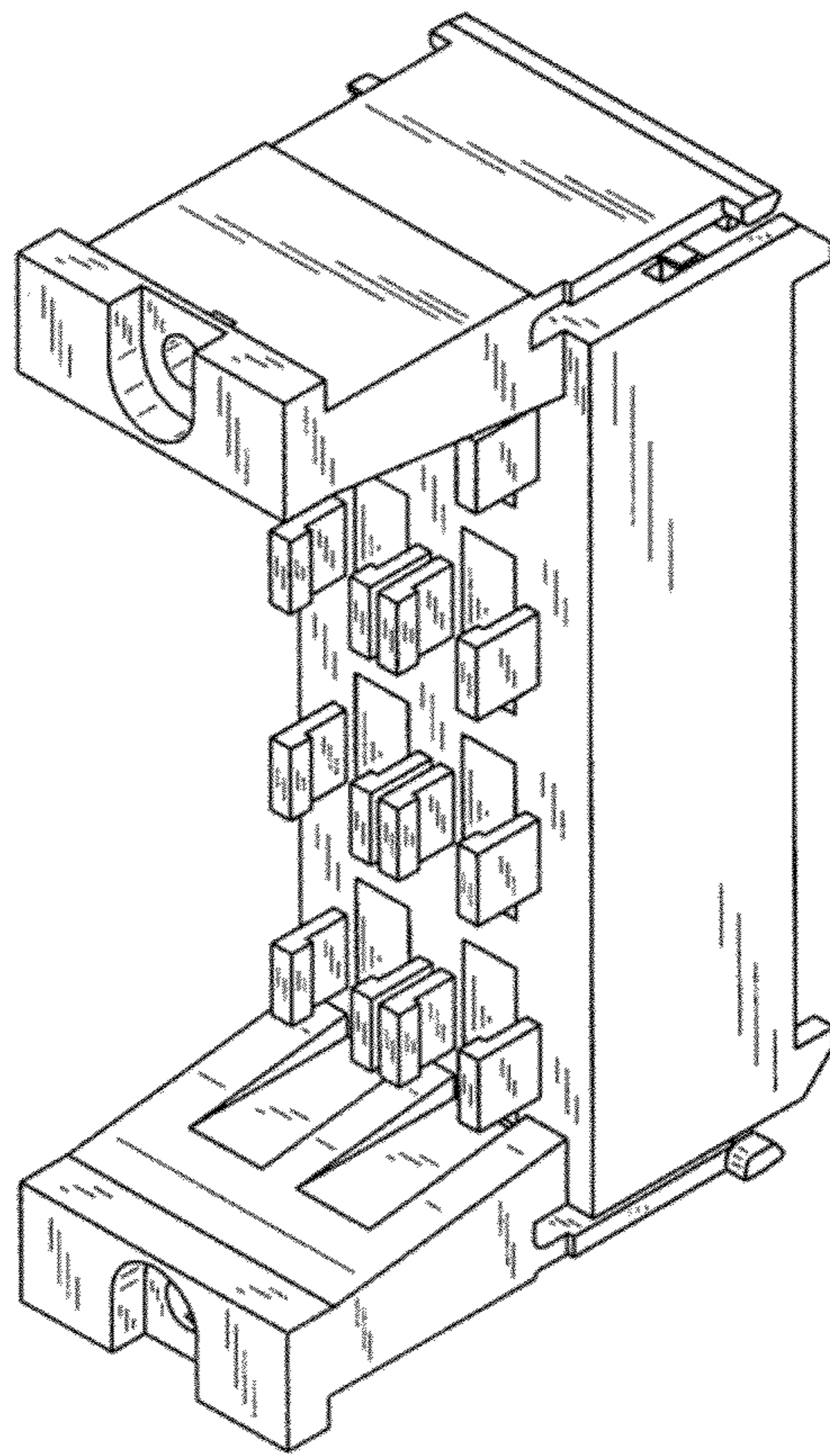


FIG.11

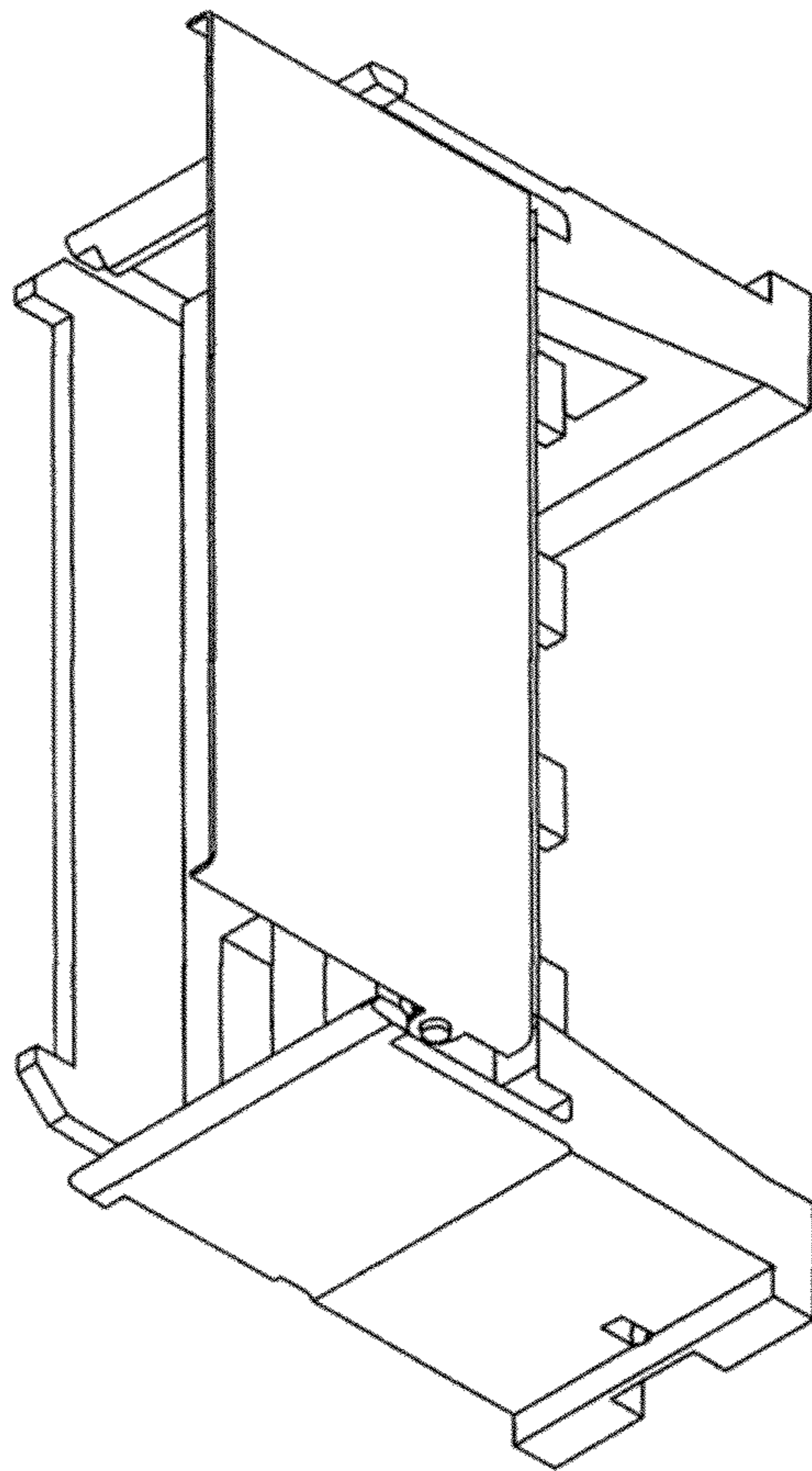


FIG.12

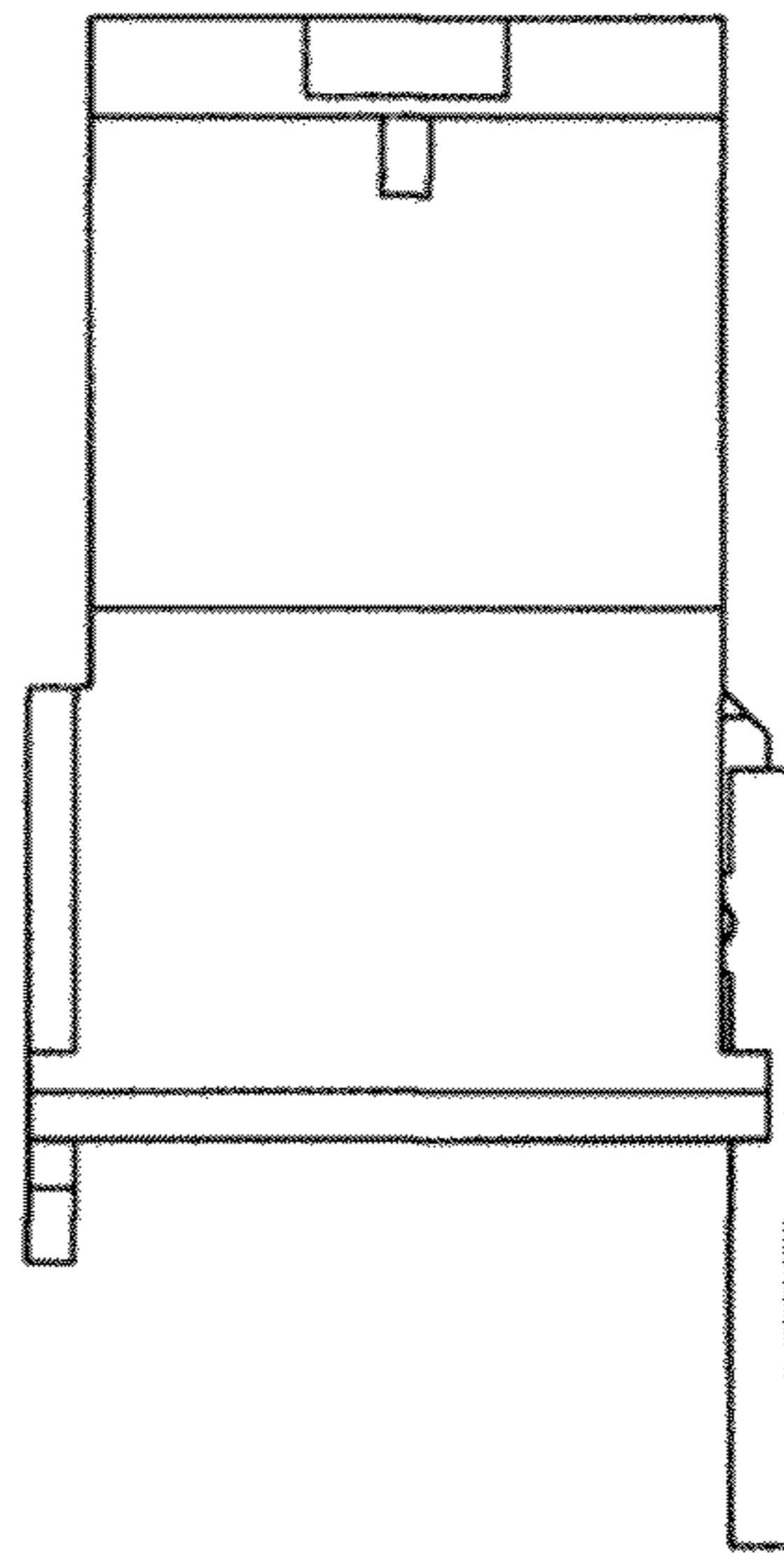


FIG.13