



US00D704644S

(12) **United States Design Patent**
Wheatley

(10) **Patent No.:** **US D704,644 S**

(45) **Date of Patent:** **** May 13, 2014**

(54) **ELECTRICAL CONNECTOR**

(75) Inventor: **William E. Wheatley**, Rochester, NY
(US)

(73) Assignee: **Harris Corporation**, Melbourne, FL
(US)

(**) Term: **14 Years**

(21) Appl. No.: **29/409,943**

(22) Filed: **Dec. 30, 2011**

(51) **LOC (10) Cl.** **13-03**

(52) **U.S. Cl.**
USPC **D13/147**

(58) **Field of Classification Search**
USPC D13/123, 133, 146, 147, 154, 158, 184,
D13/199, 162, 160; 439/47, 79, 260, 329,
439/357, 409, 715, 717, 823, 946, 686, 689,
439/601.01-9, 607.12, 607.16-17, 607.28,
439/607.29, 607.35, 620.04, 620.15, 626,
439/645, 676, 709, 712, 716, 866, 445, 402,
439/324, 259, 224, 176

See application file for complete search history.

(56) **References Cited**

U.S. PATENT DOCUMENTS

D269,673	S	*	7/1983	Johansson et al.	D13/147
4,737,116	A	*	4/1988	Slye et al.	439/92
D328,595	S	*	8/1992	Lou	D14/438
D409,575	S	*	5/1999	Okamoto	D13/147
D493,143	S	*	7/2004	Aldridge	D13/147
D517,994	S	*	3/2006	Zhang et al.	D13/147
D539,744	S	*	4/2007	Hu et al.	D13/147
D543,508	S	*	5/2007	Dever	D13/147
D558,680	S	*	1/2008	Chen et al.	D13/154
D561,109	S	*	2/2008	Howerton et al.	D13/147
D561,110	S	*	2/2008	Howerton et al.	D13/147

D562,248	S	*	2/2008	Howerton et al.	D13/147
D562,249	S	*	2/2008	Howerton et al.	D13/147
D563,881	S	*	3/2008	Howerton et al.	D13/147
D563,882	S	*	3/2008	Howerton et al.	D13/147
D563,883	S	*	3/2008	Dever	D13/147
D563,884	S	*	3/2008	Dever	D13/147
D563,885	S	*	3/2008	Dever	D13/147
D563,886	S	*	3/2008	Dever	D13/147
D563,887	S	*	3/2008	Dever	D13/147
D563,888	S	*	3/2008	Dever	D13/147
D563,890	S	*	3/2008	Dever	D13/147
D563,891	S	*	3/2008	Dever	D13/147
D566,656	S	*	4/2008	Dever	D13/147
D568,251	S	*	5/2008	Chen et al.	D13/147
D569,808	S	*	5/2008	Dever	D13/147

* cited by examiner

Primary Examiner — Thomas Johannes

Assistant Examiner — Khawaja Anwar

(74) *Attorney, Agent, or Firm* — Fox Rothschild, LLP;
Robert J. Sacco

(57) **CLAIM**

The ornamental design for an electrical connector, as shown and described.

DESCRIPTION

FIG. 1 is a top perspective view of a receptacle of an electrical connector showing my new design;

FIG. 2 is front view thereof;

FIG. 3 is a rear view thereof;

FIG. 4 is a right side view thereof;

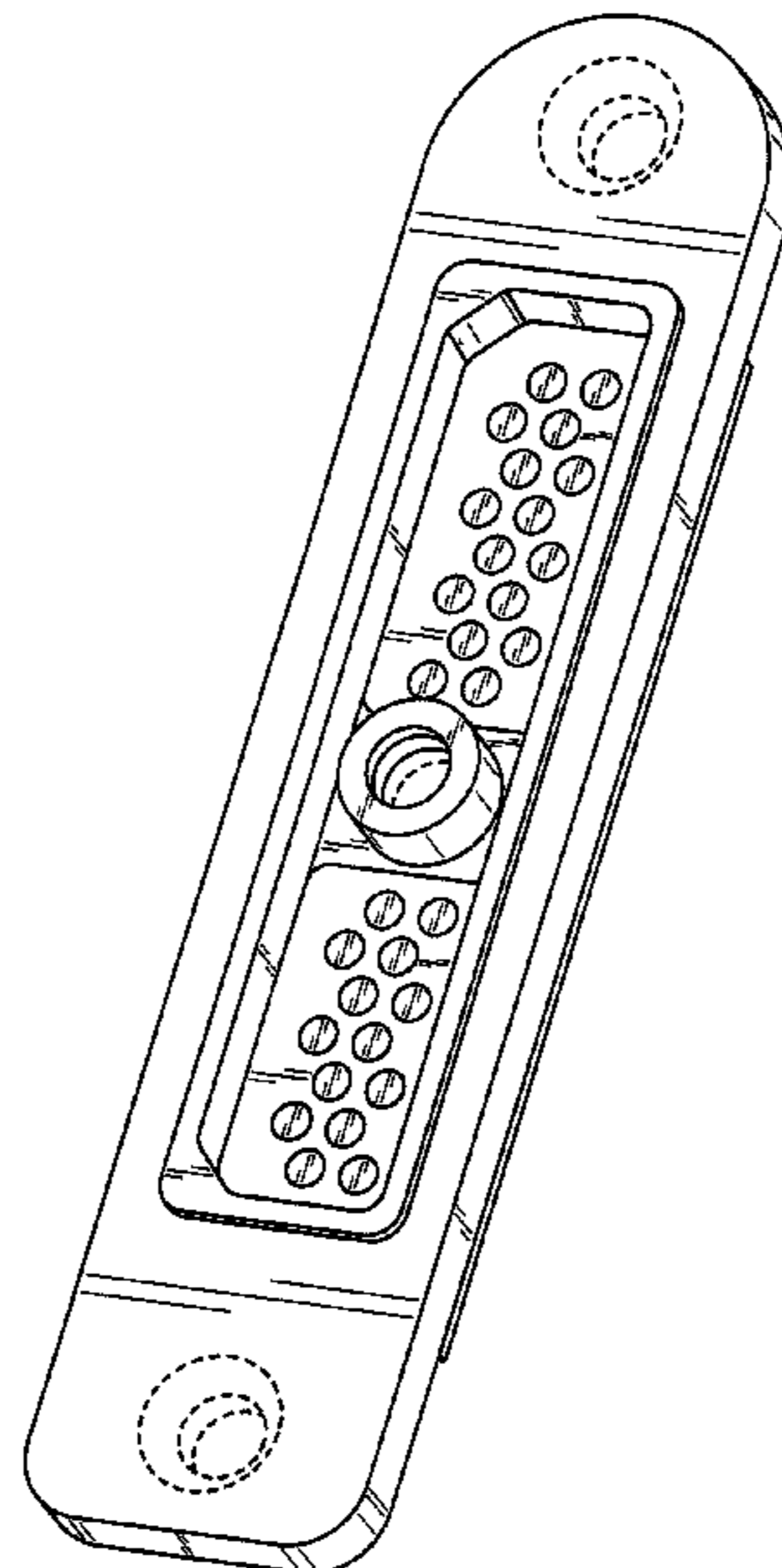
FIG. 5 is a left side view thereof;

FIG. 6 is a top view thereof; and,

FIG. 7 is a bottom view thereof.

The broken line portion in the figure drawing views is included for the purpose of illustrating environment and forms no part of the claimed design.

1 Claim, 4 Drawing Sheets



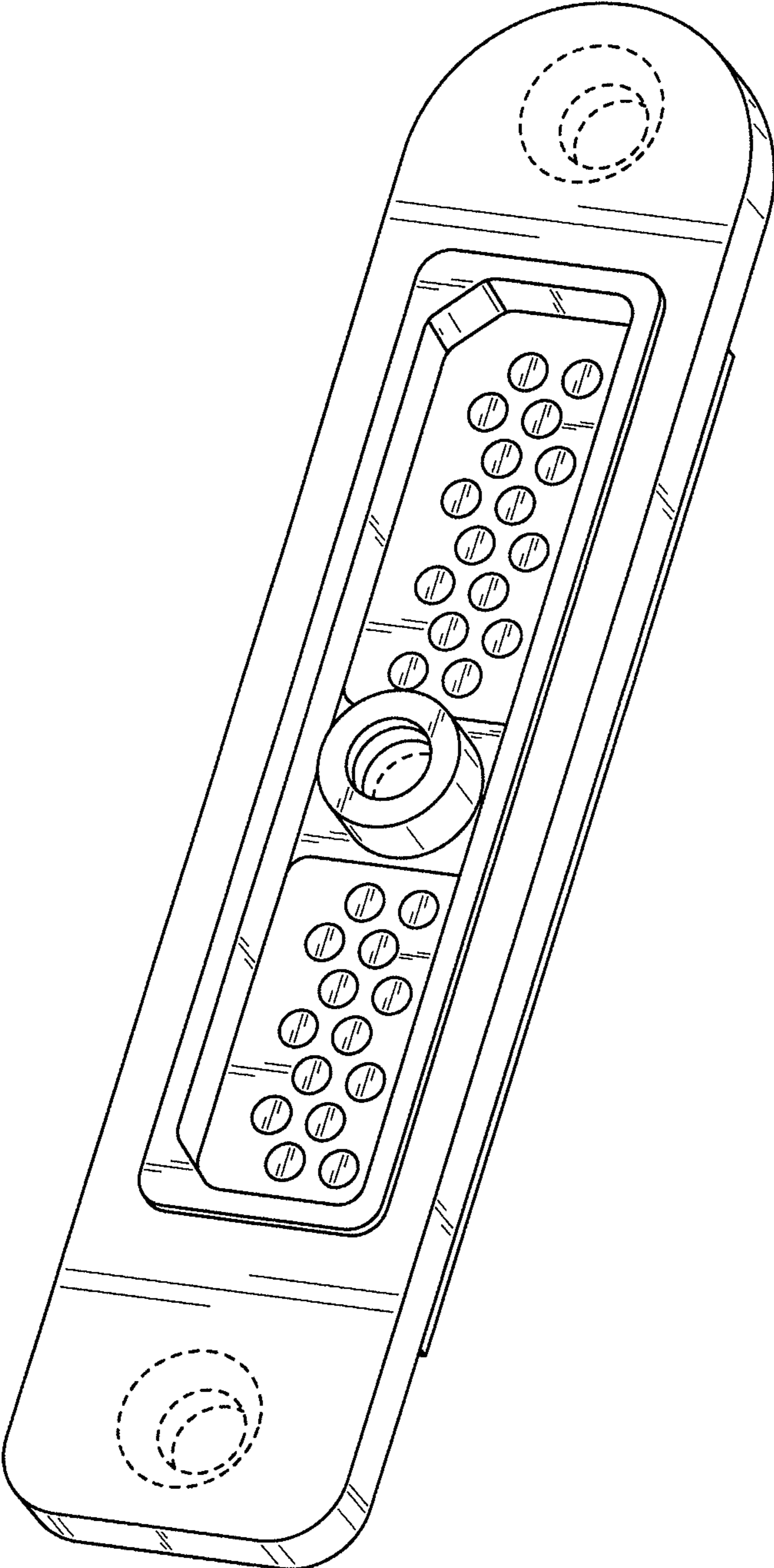


FIG. 1



FIG. 2

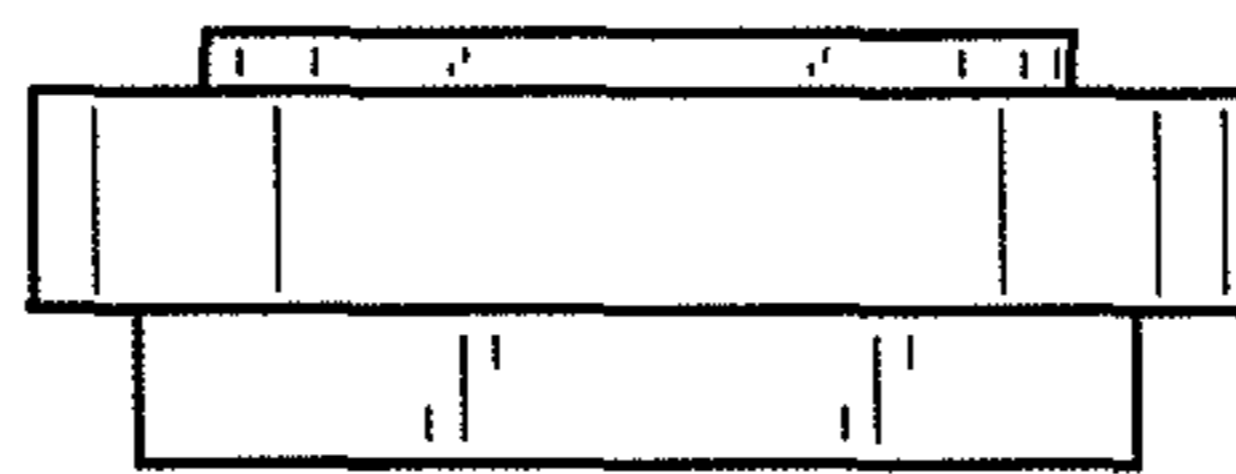


FIG. 3

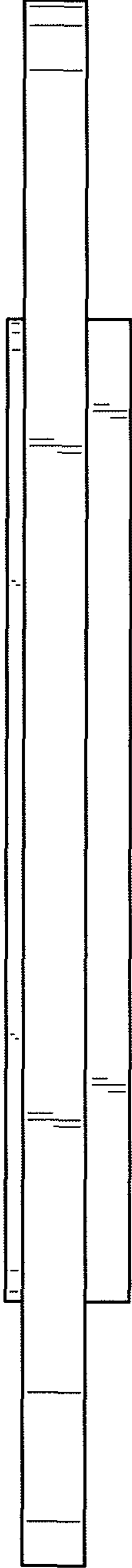


FIG. 4

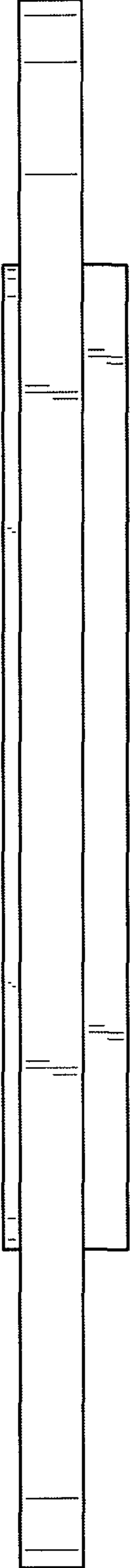


FIG. 5

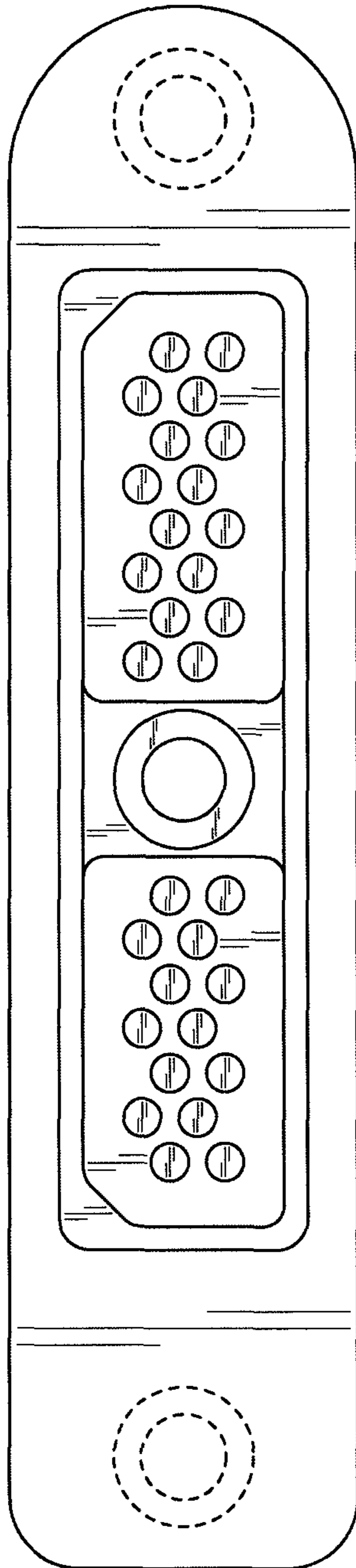


FIG. 6

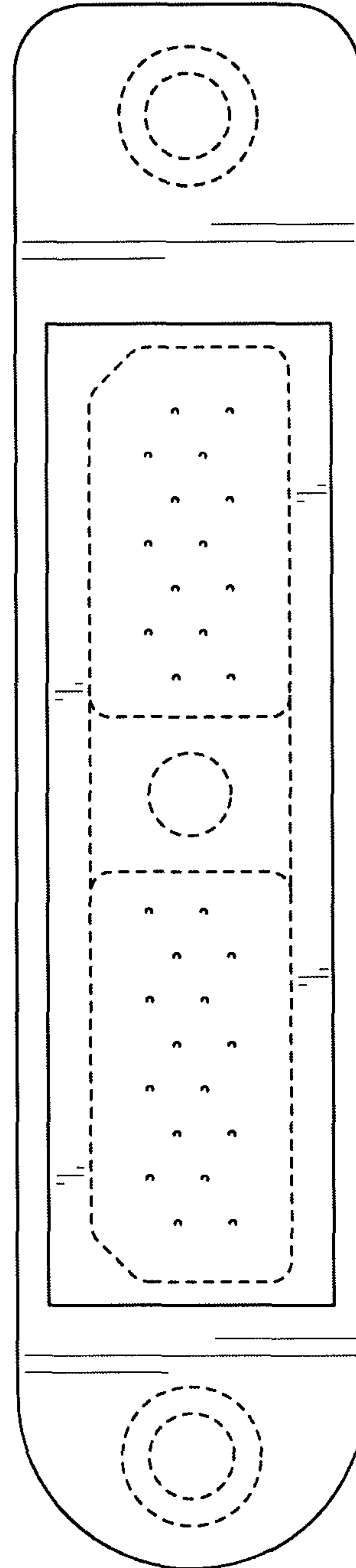


FIG. 7