



US00D704642S

(12) **United States Design Patent**
Yamamoto

(10) **Patent No.:** **US D704,642 S**

(45) **Date of Patent:** **** May 13, 2014**

(54) **CONNECTOR**

(71) Applicant: **Ever Win International Corporation,**
City of Industry, CA (US)

(72) Inventor: **Yasuhiro Yamamoto,** Los Angeles, CA
(US)

(73) Assignee: **Ever Win International Corporation,**
City of Industry, CA (US)

(**) Term: **14 Years**

(21) Appl. No.: **29/460,299**

(22) Filed: **Jul. 9, 2013**

(51) **LOC (10) Cl.** **13-03**

(52) **U.S. Cl.**
USPC **D13/133**

(58) **Field of Classification Search**
USPC D13/133, 146, 147, 154, 184, 199;
D14/205, 223, 299; 439/180, 246, 252,
439/278, 374, 378, 380, 381, 527, 529, 606,
439/668, 669, 675, 676, 750, 892, 894
See application file for complete search history.

(56) **References Cited**

U.S. PATENT DOCUMENTS

D542,225 S * 5/2007 Victor D13/154
D546,285 S * 7/2007 Ledbetter et al. D13/133
D559,781 S * 1/2008 Victor D13/133

D639,270 S * 6/2011 Nagayama et al. D14/205
D645,022 S * 9/2011 Lee et al. D14/205
D672,312 S * 12/2012 Lee et al. D13/133
D675,161 S * 1/2013 Rayner D13/133
D684,117 S * 6/2013 Scarpa D13/133
D685,327 S * 7/2013 Rayner D13/133
D685,764 S * 7/2013 Coulter D14/205
8,502,725 B2 * 8/2013 Yamamoto 341/176
2013/0210286 A1 * 8/2013 Golko 439/668

* cited by examiner

Primary Examiner — Thomas Johannes

Assistant Examiner — Khawaja Anwar

(74) *Attorney, Agent, or Firm* — Joe Nieh

(57) **CLAIM**

The ornamental design for a connector, as shown and described.

DESCRIPTION

FIG. 1 is a perspective view of a connector showing my new design;

FIG. 2 is another perspective view thereof;

FIG. 3 is a front view thereof;

FIG. 4 is a left side view thereof;

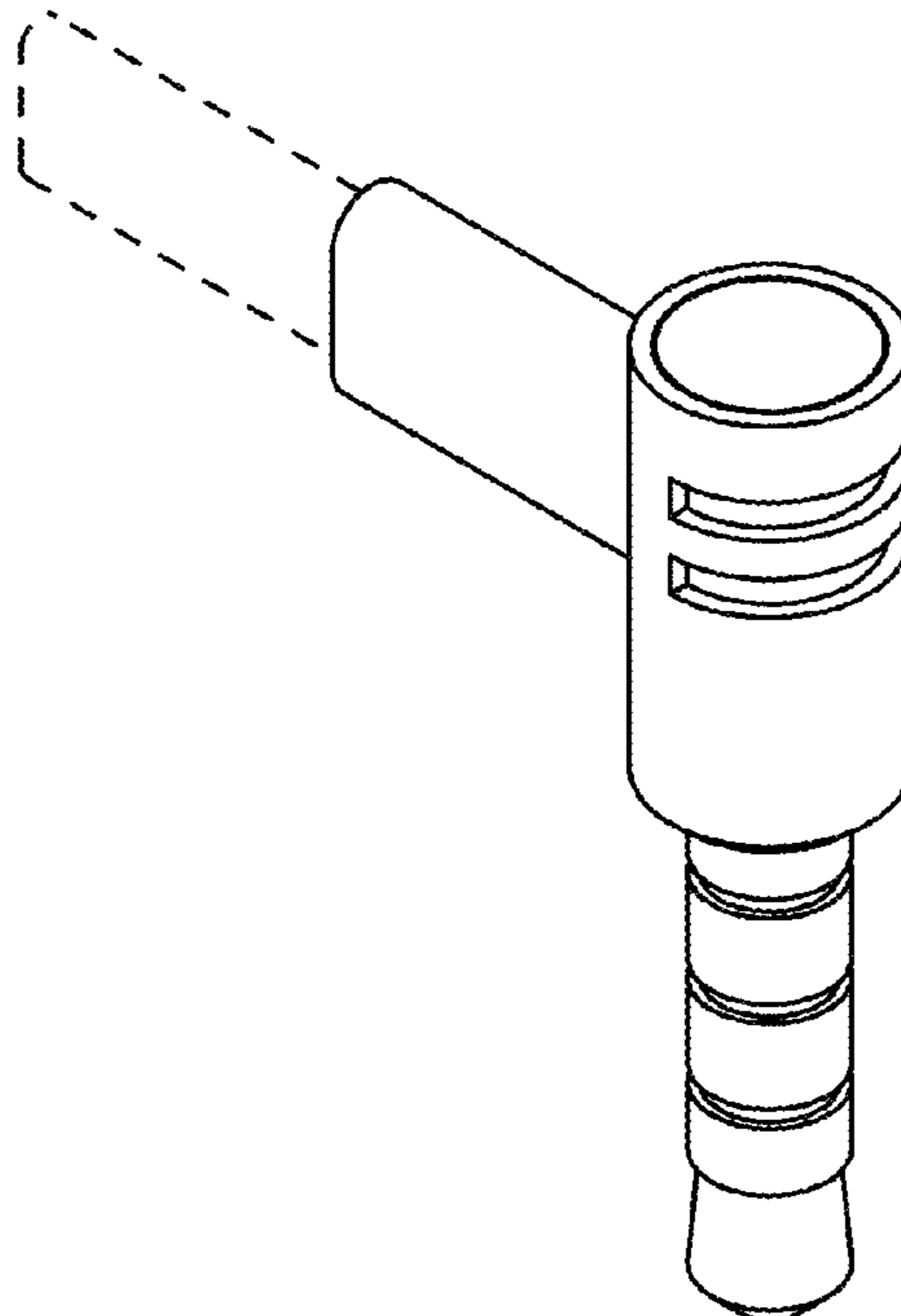
FIG. 5 is a right side view thereof;

FIG. 6 is a top view thereof; and,

FIG. 7 is a bottom view thereof.

The broken lines shown in the drawings are included for the purpose of illustrating unclaimed portions of the connector and form no part of the claimed design.

1 Claim, 2 Drawing Sheets



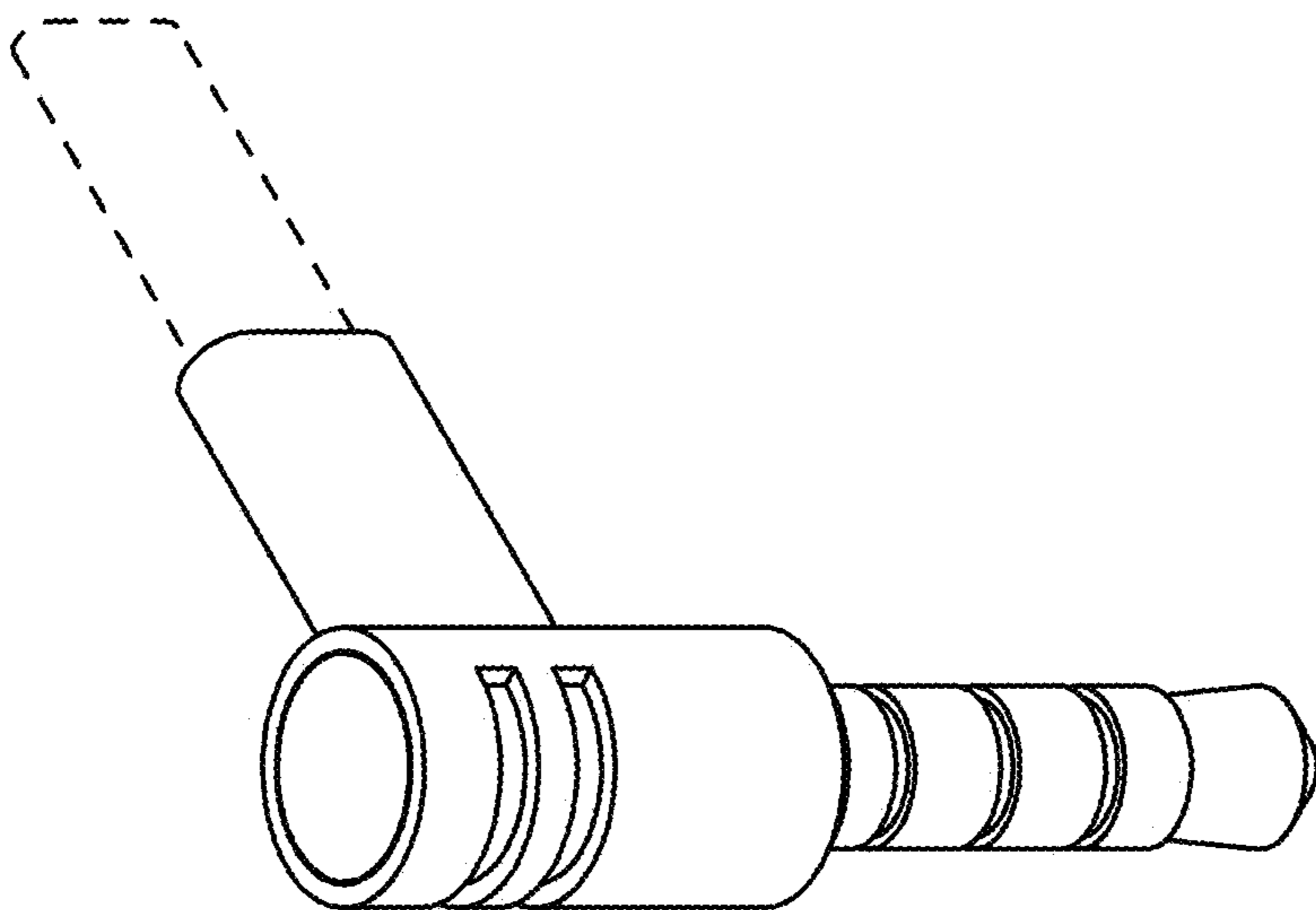


Fig. 2

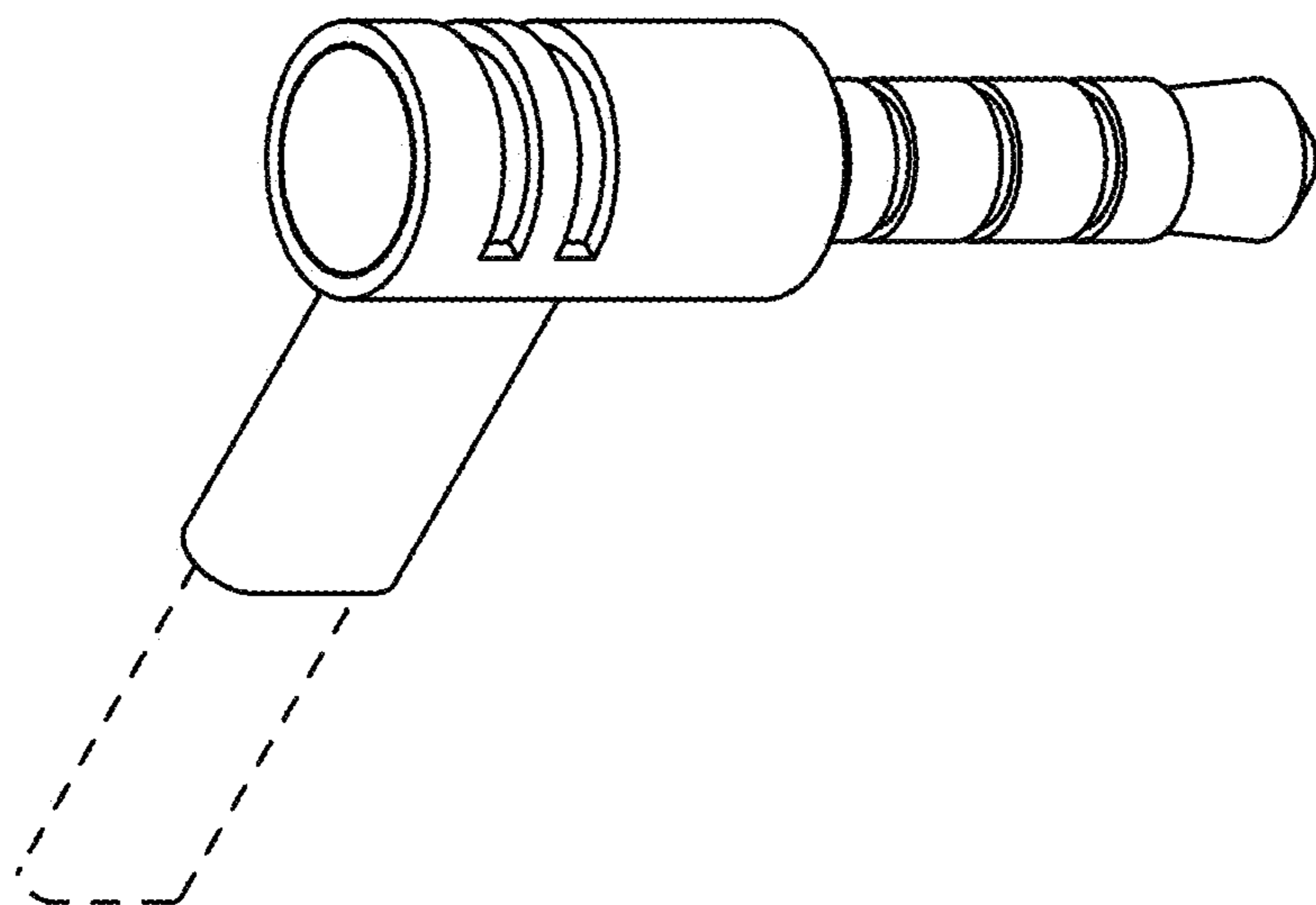


Fig. 1

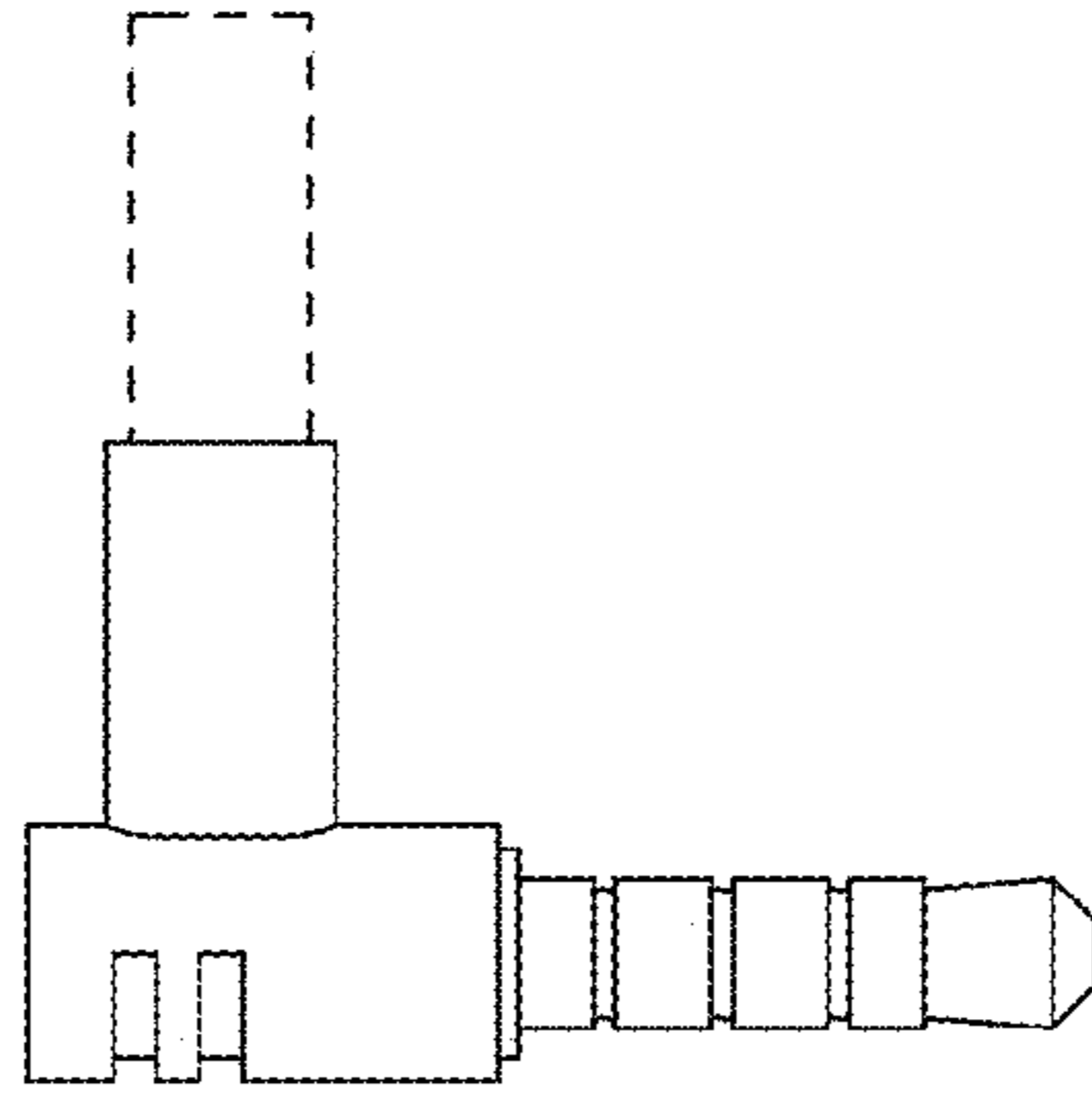


Fig. 5

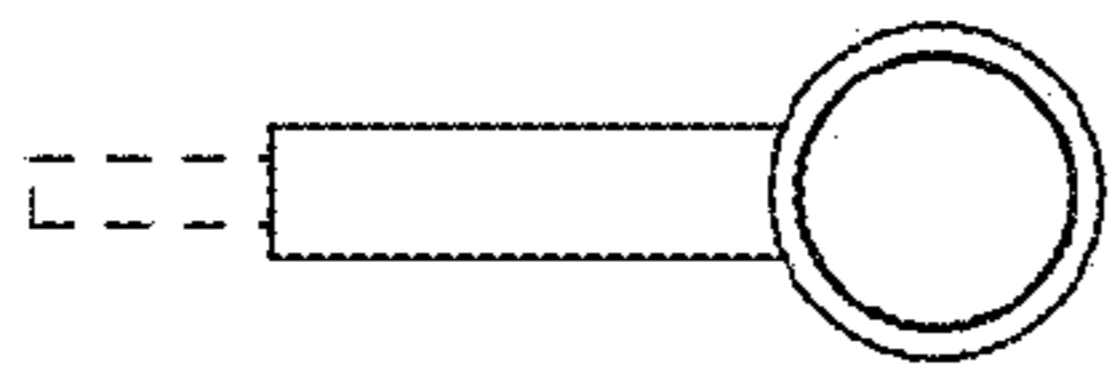


Fig. 6

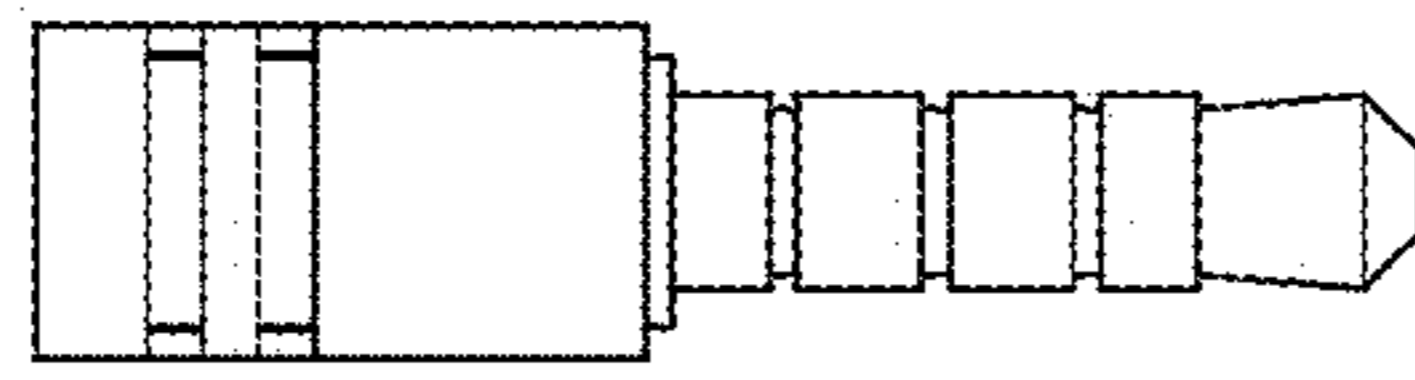


Fig. 3

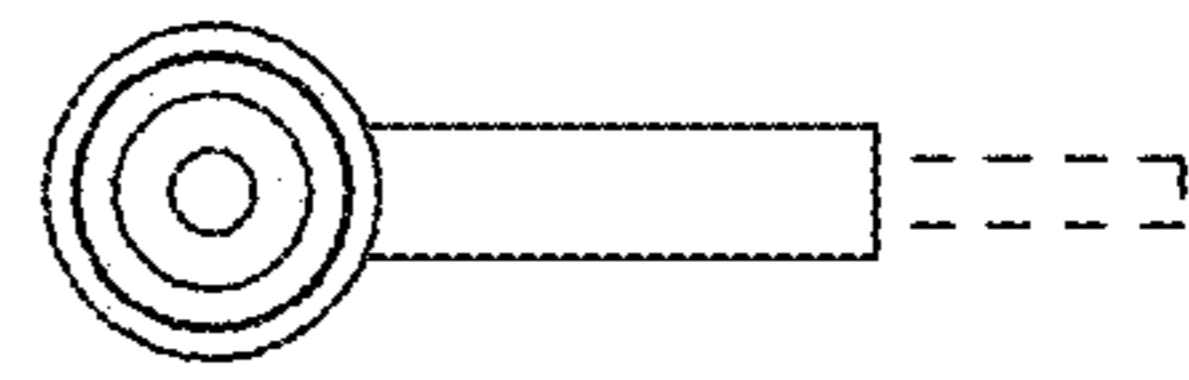


Fig. 7

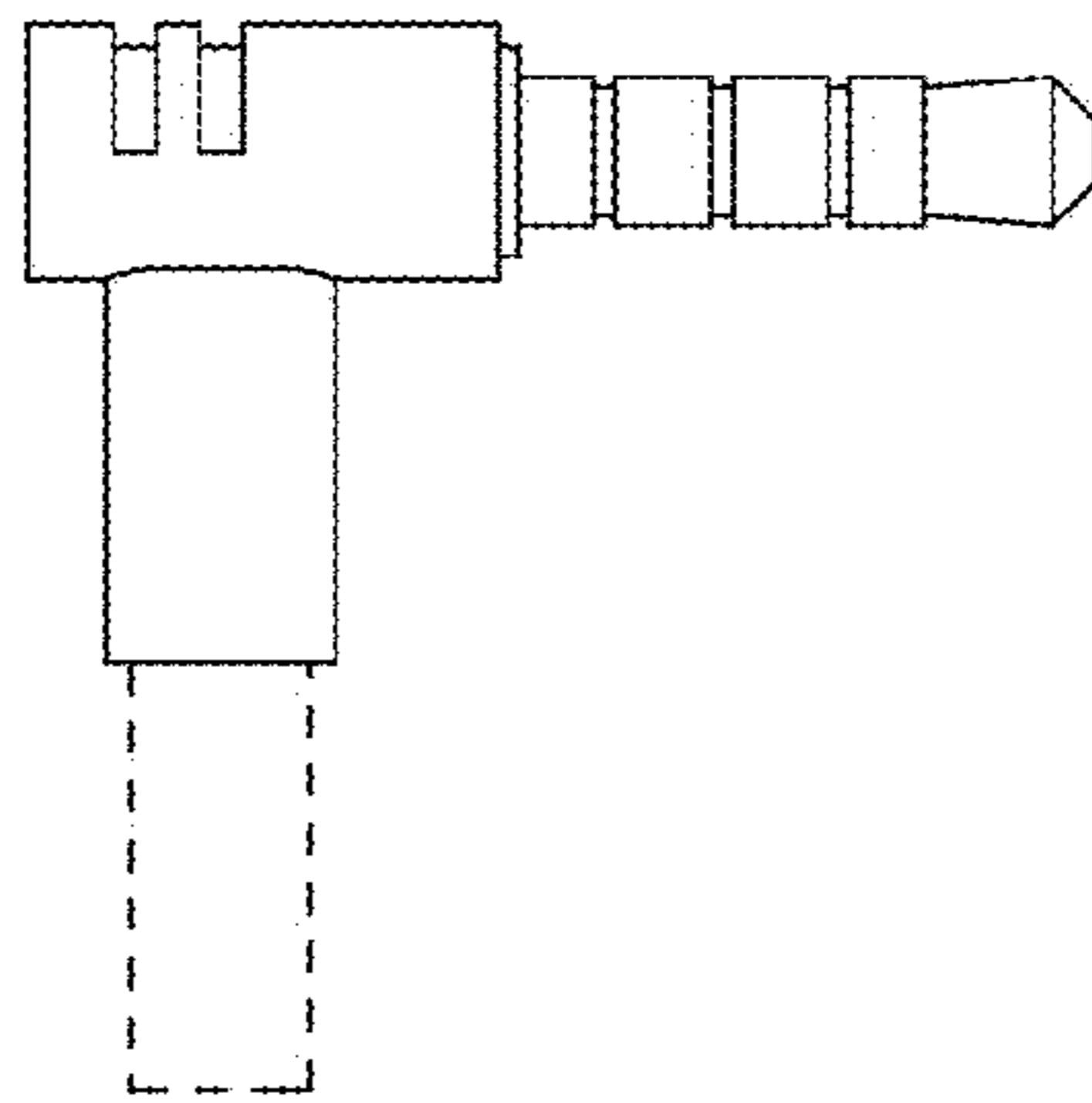


Fig. 4