



US00D704641S

(12) **United States Design Patent**
Shokrzadeh et al.

(10) **Patent No.:** **US D704,641 S**

(45) **Date of Patent:** **** May 13, 2014**

(54) **PORTABLE GENERATOR**

(75) Inventors: **Saeid Shokrzadeh**, Kearney, NE (US);
Frank Hromadka, Kearney, NE (US)

(73) Assignee: **Pramac America LLC**, Medley, FL
(US)

(**) Term: **14 Years**

(21) Appl. No.: **29/385,420**

(22) Filed: **Feb. 14, 2011**

(30) **Foreign Application Priority Data**

Dec. 6, 2010 (EM) 001789918

(51) **LOC (10) Cl.** **13-01**

(52) **U.S. Cl.**
USPC **D13/116**

(58) **Field of Classification Search**
USPC D13/116, 112, 113, 114, 122, 184, 199;
D6/329, 449, 462; D15/33; 290/1 A,
290/1 B, 1 R; 307/150, 153; 310/50, 89, 158,
310/418; 322/1, 2 R, 10, 14, 16, 40, 42, 87
See application file for complete search history.

(56) **References Cited**

U.S. PATENT DOCUMENTS

D278,425 S * 4/1985 Toshihiko D13/116
D293,904 S * 1/1988 Murakami et al. D13/116
6,331,740 B1 * 12/2001 Morohoshi et al. 290/1 A

D478,311 S * 8/2003 Yaguchi et al. D13/114
D486,447 S * 2/2004 Fan D13/114
D489,327 S * 5/2004 Imai D13/116
D494,929 S * 8/2004 Imai D13/116
D501,182 S * 1/2005 Buck D13/110
D566,042 S * 4/2008 Yamasaki et al. D13/116
D573,092 S * 7/2008 Hamm et al. D13/116
7,471,505 B2 * 12/2008 Gull et al. 361/627
D597,944 S * 8/2009 Takamura D13/116
D617,269 S * 6/2010 van Deursen D13/116

* cited by examiner

Primary Examiner — Derrick Holland

(74) *Attorney, Agent, or Firm* — Kilpatrick Townsend & Stockton LLP

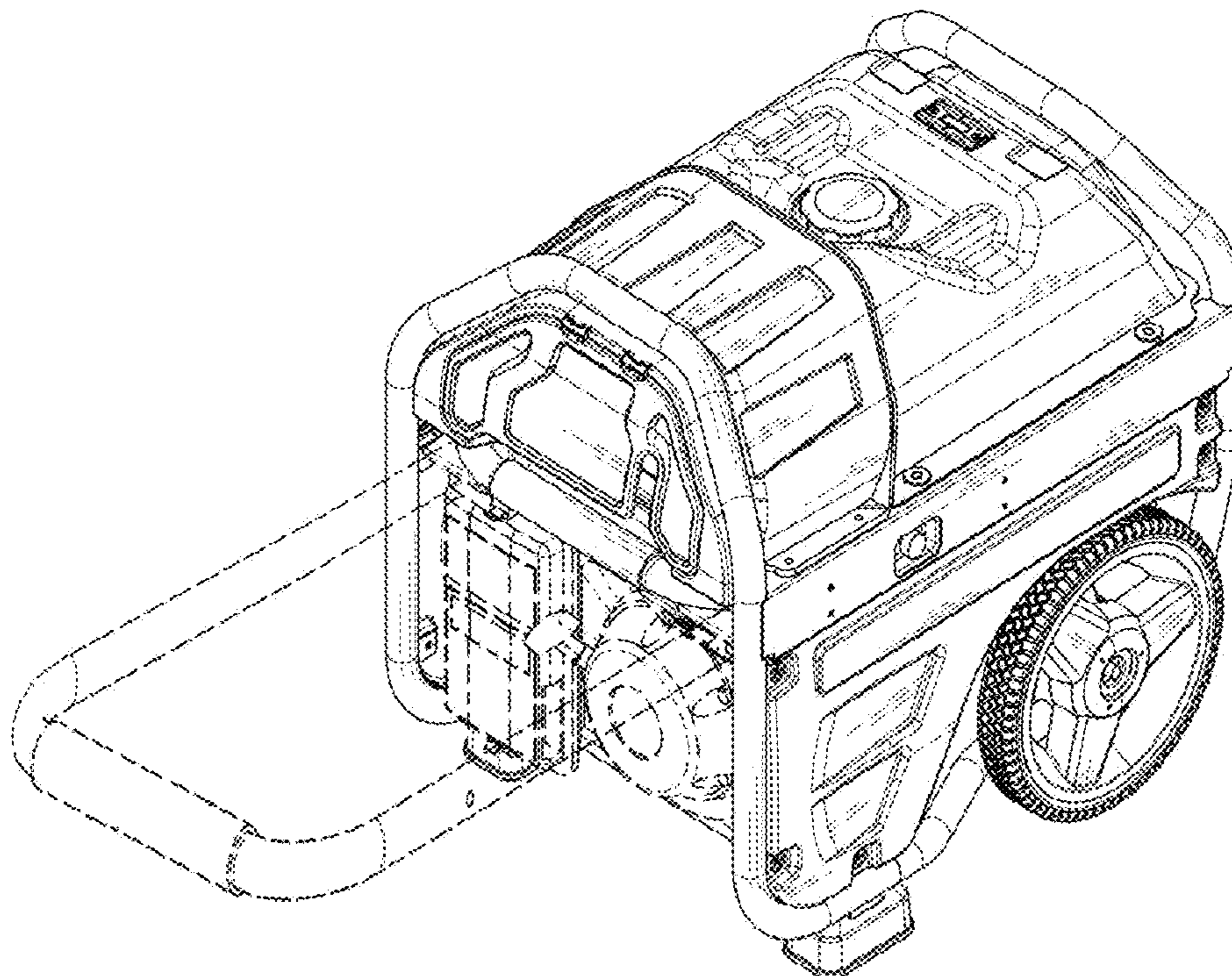
(57) **CLAIM**

The ornamental design for portable generator, as shown and described.

DESCRIPTION

FIG. 1 is a perspective view of a first embodiment of a portable generator showing our new design;
FIG. 2 is a front elevational view thereof;
FIG. 3 is a front elevational view thereof, with a panel lifted to show detail;
FIG. 4 is a rear elevational view thereof;
FIG. 5 is a left side elevational view thereof;
FIG. 6 is top plan view thereof; and,
FIG. 7 is a right side elevational view thereof.
The broken lines shown represent unclaimed subject matter and form no part of the claimed design.

1 Claim, 5 Drawing Sheets



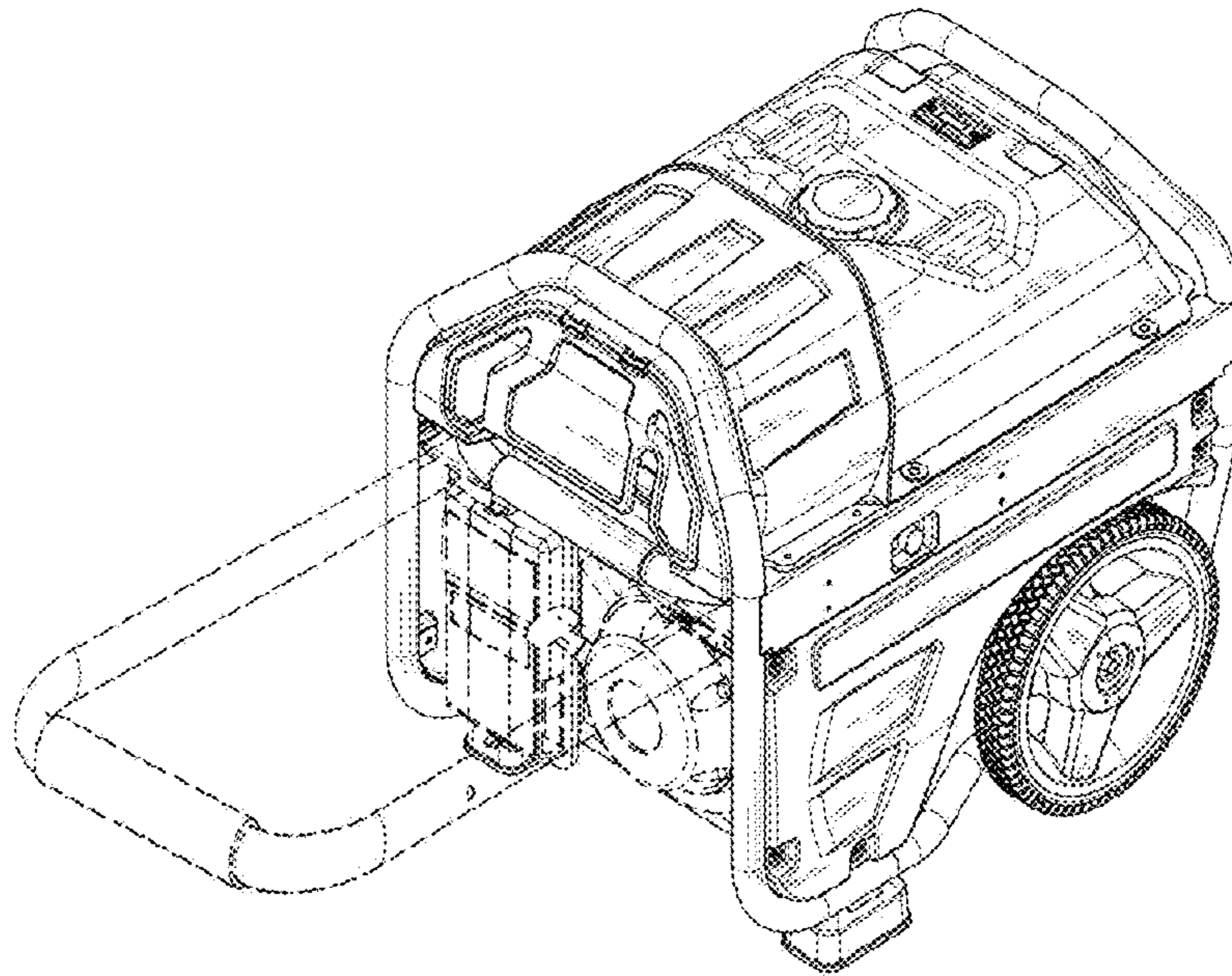


FIG. 1

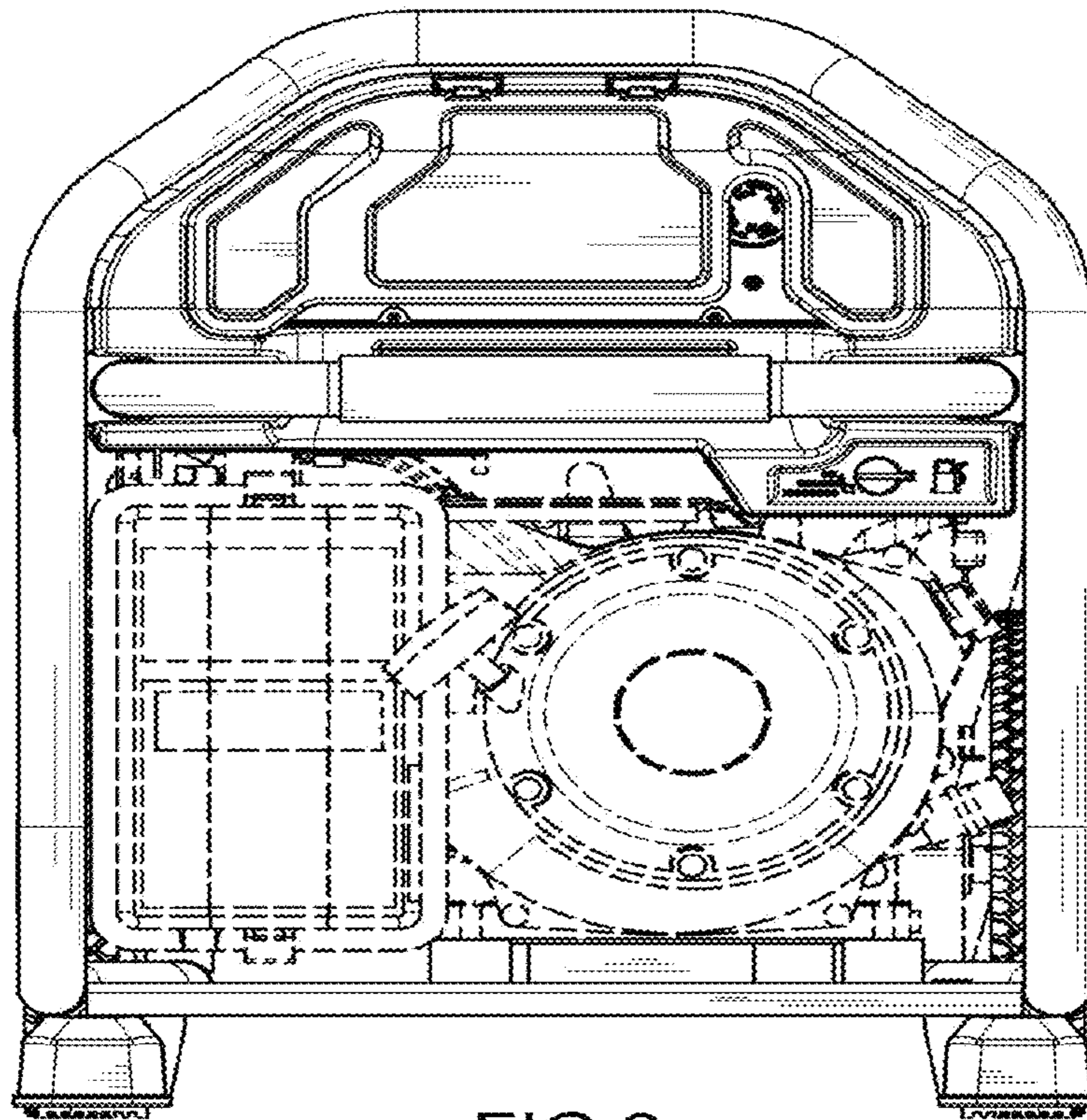


FIG. 2

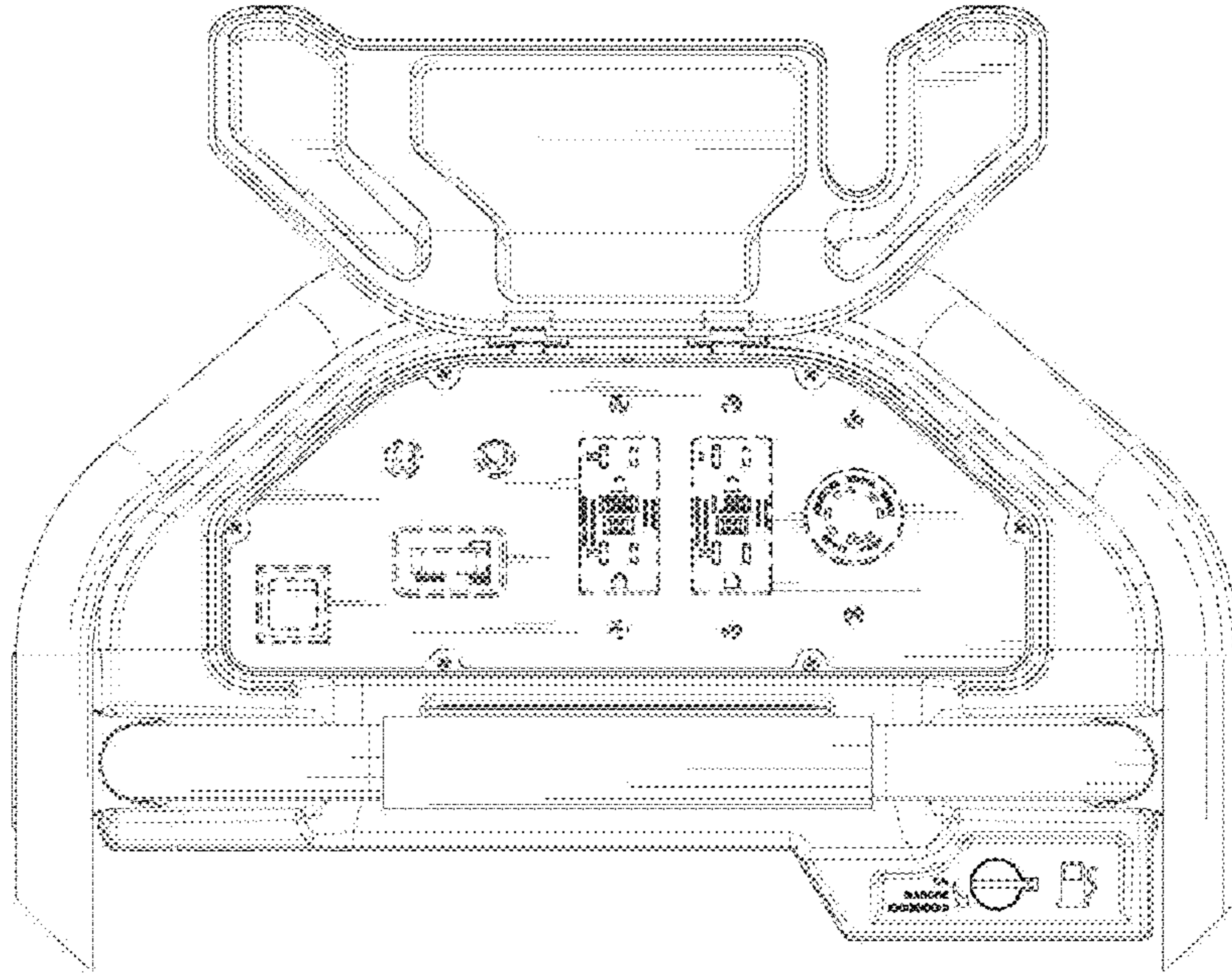


FIG.3

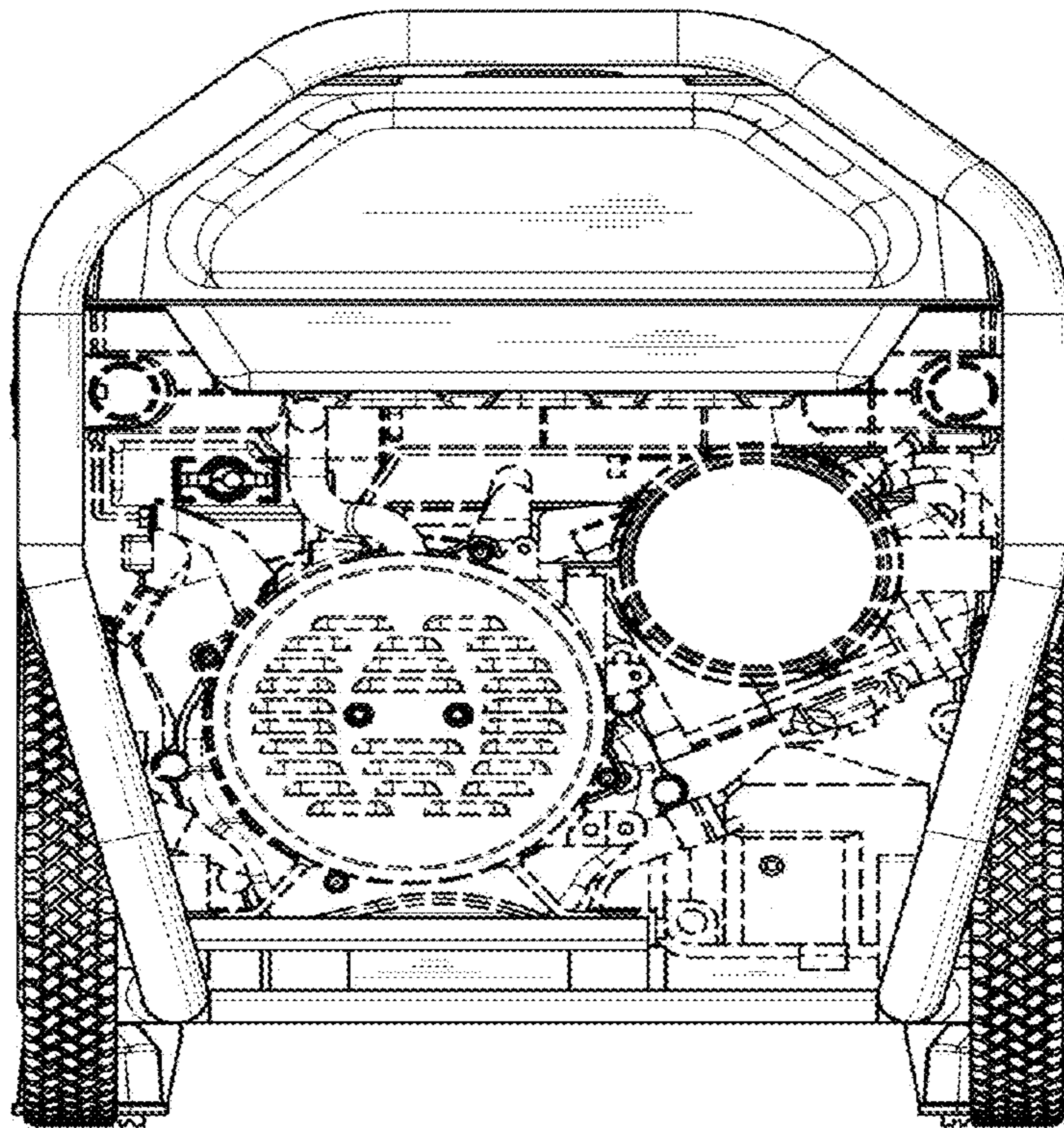


FIG.4

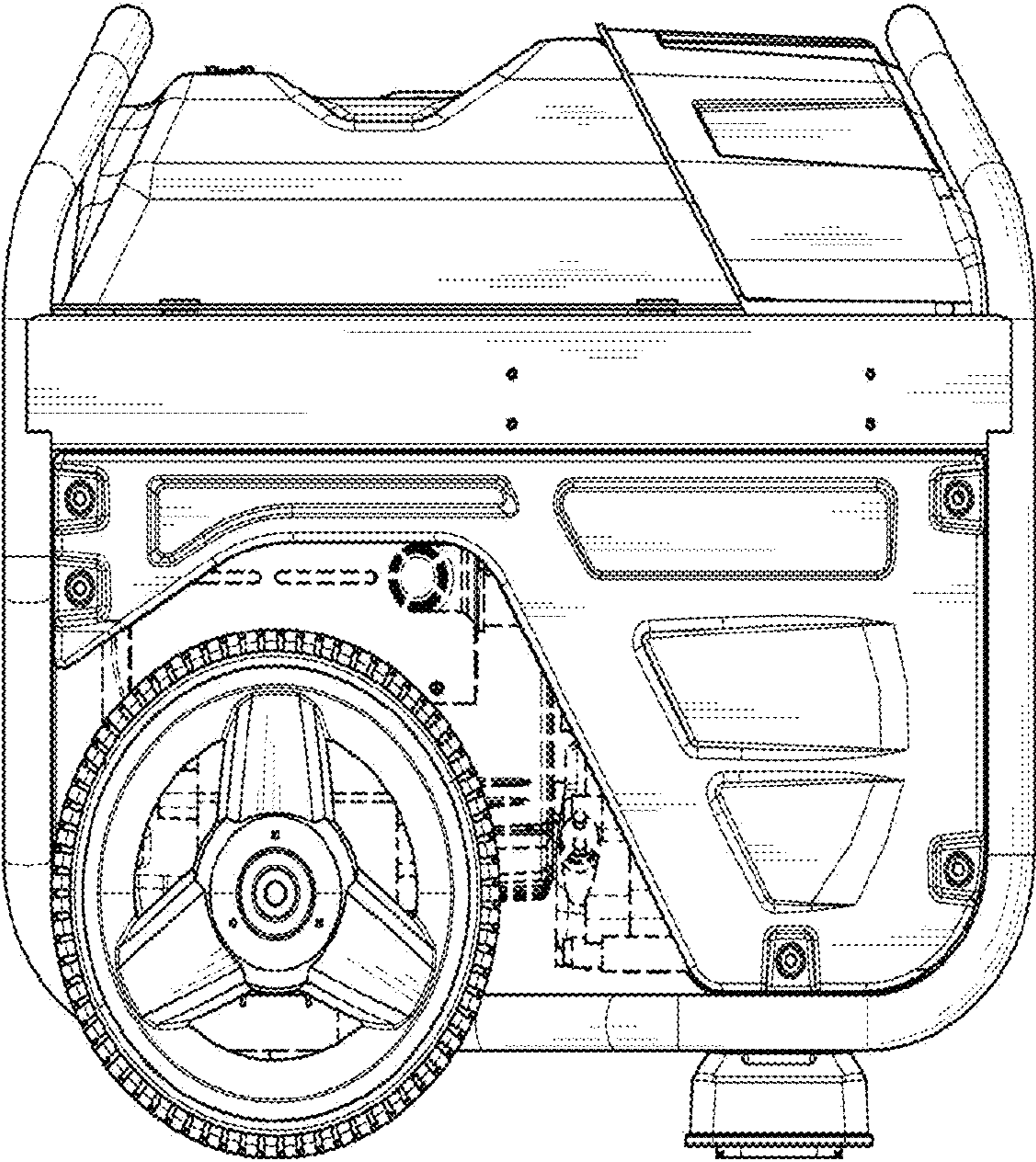


FIG.5

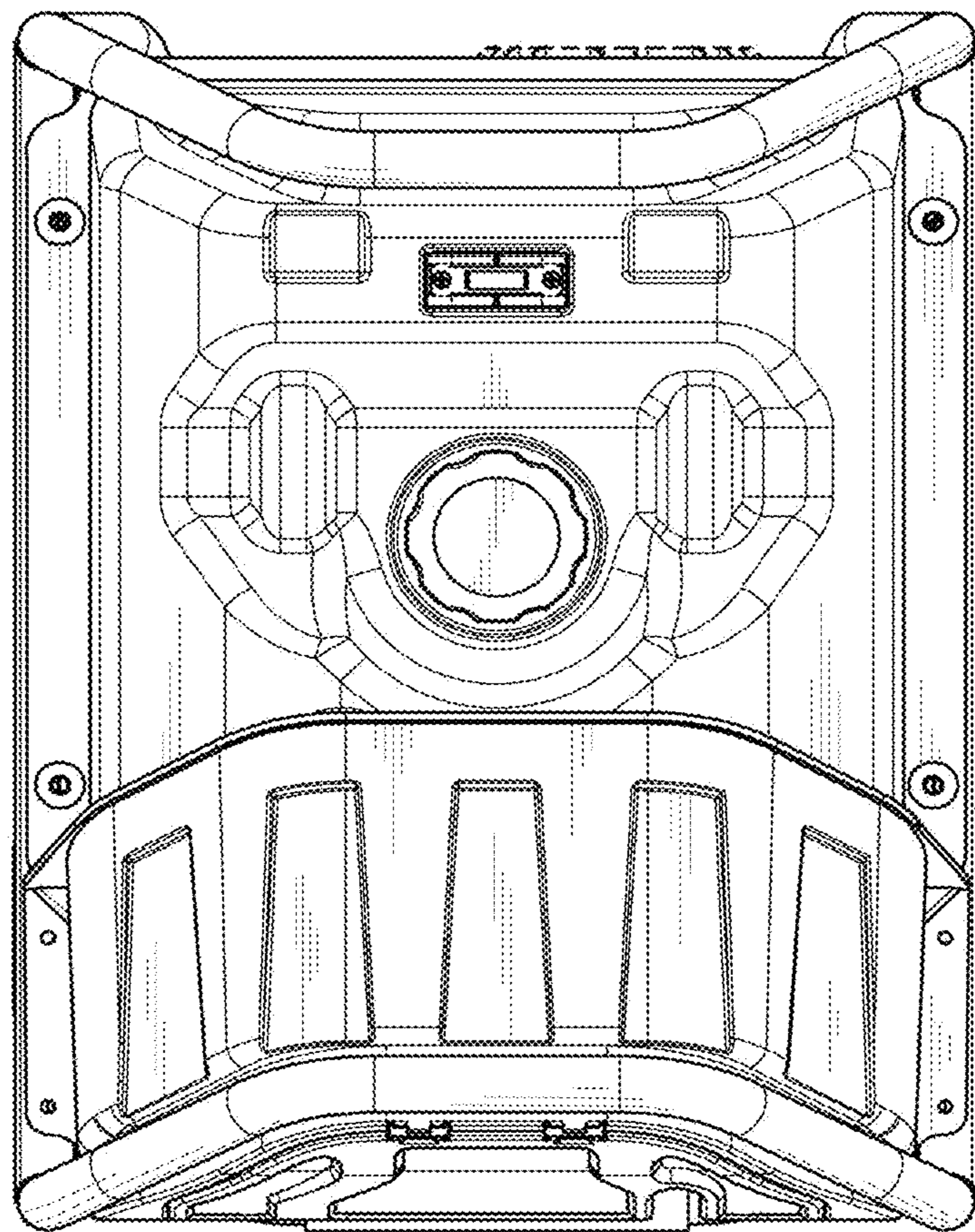


FIG.6

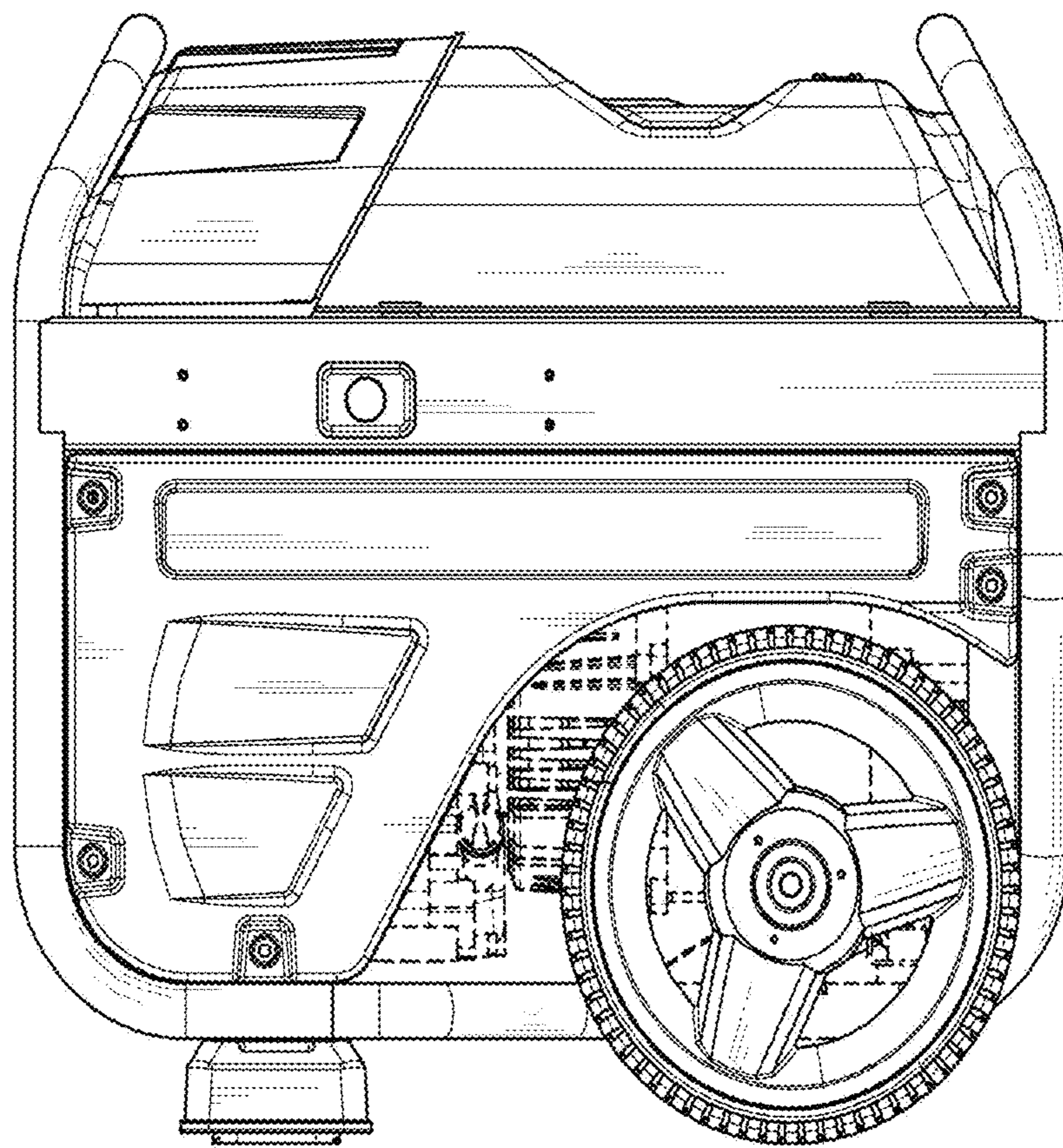


FIG.7