



US00D704640S

(12) **United States Design Patent**  
**Wen**

(10) **Patent No.:** **US D704,640 S**

(45) **Date of Patent:** **\*\* May 13, 2014**

(54) **MOBILE POWER DEVICE**

(71) Applicant: **Shenzhen Hello Tech Energy Co., Ltd.**,  
Shenzhen (CN)

(72) Inventor: **Meichan Wen**, Shenzhen (CN)

(73) Assignee: **Shenzhen Hello Tech Energy Co., Ltd.**,  
Shenzhen (CN)

(\*\*) Term: **14 Years**

(21) Appl. No.: **29/475,315**

(22) Filed: **Dec. 2, 2013**

(51) **LOC (10) Cl.** ..... **13-02**

(52) **U.S. Cl.**  
USPC ..... **D13/110**

(58) **Field of Classification Search**  
USPC ..... D13/110, 103, 107, 108, 118, 119, 123,  
D13/133, 137.1, 184, 199; D14/240, 251,  
D14/356, 432, 433, 434; 174/53, 54, 59, 61;  
307/11, 150, 151; 320/107, 111, 112,  
320/113, 114, 115; 361/679.01; 363/142,  
363/146; 439/131, 172, 626, 628, 638

See application file for complete search history.

(56) **References Cited**

U.S. PATENT DOCUMENTS

6,328,612	B1	*	12/2001	Chung	.....	439/717
D463,363	S	*	9/2002	Veino et al.	.....	D13/110
D495,297	S	*	8/2004	Hriscu et al.	.....	D13/110
D544,834	S	*	6/2007	Weinstein	.....	D13/110
D575,730	S	*	8/2008	Hung	.....	D13/110
D670,291	S	*	11/2012	Dalton	.....	D14/433

\* cited by examiner

*Primary Examiner* — Derrick Holland

(74) *Attorney, Agent, or Firm* — James F. Hann; Haynes  
Beffel & Wolfeld LLP

(57) **CLAIM**

The ornamental design for a mobile power device, as shown  
and described.

**DESCRIPTION**

FIG. 1 is a front elevational view of a mobile power device  
showing my new design;

FIG. 2 is a rear elevational view thereof;

FIG. 3 is a left-side elevational view thereof;

FIG. 4 is a right-side elevational view thereof;

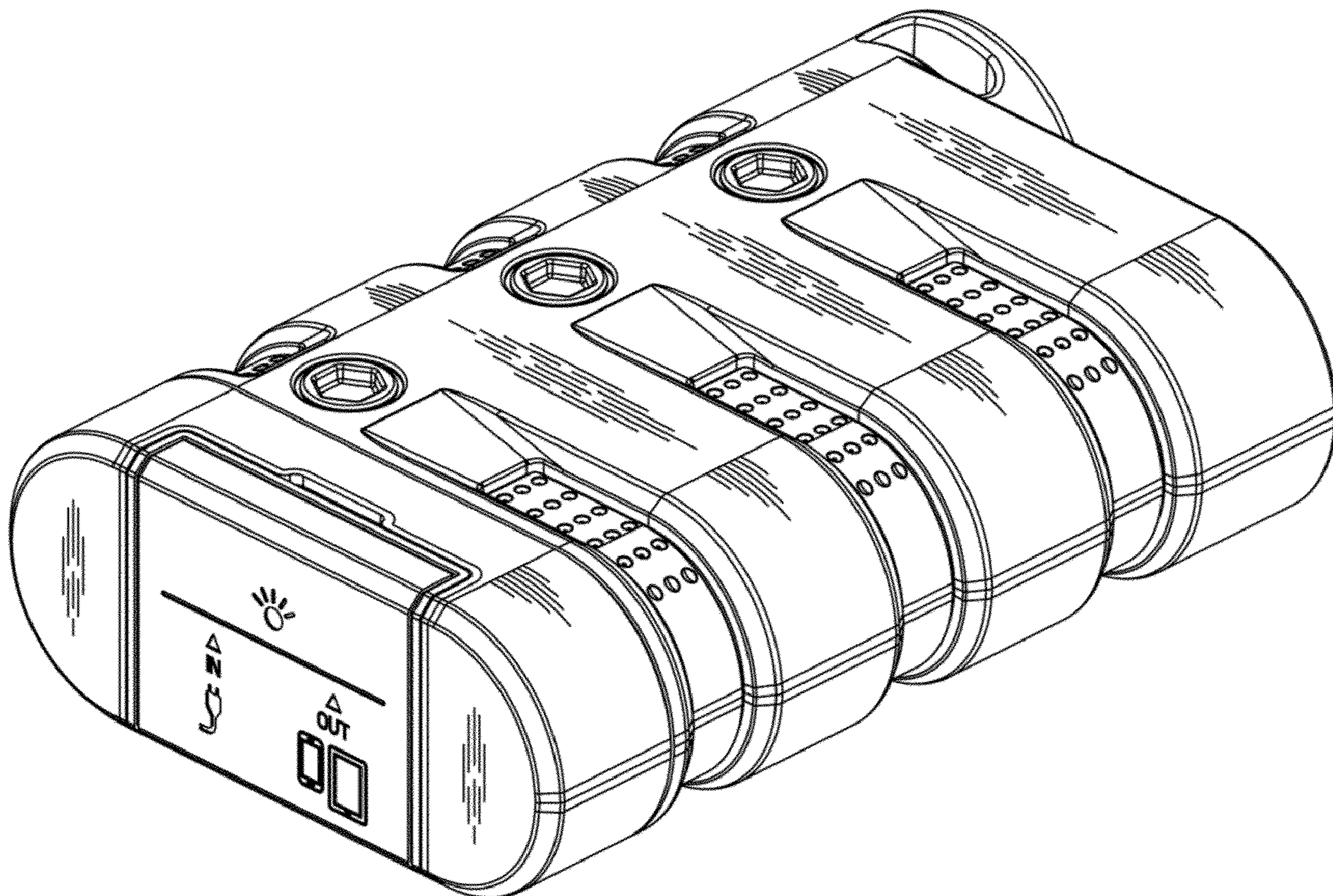
FIG. 5 is a top plan view thereof;

FIG. 6 is a bottom plan view thereof; and,

FIG. 7 is a perspective view thereof.

The mobile power device is used to provide power to an  
electronic device.

**1 Claim, 6 Drawing Sheets**



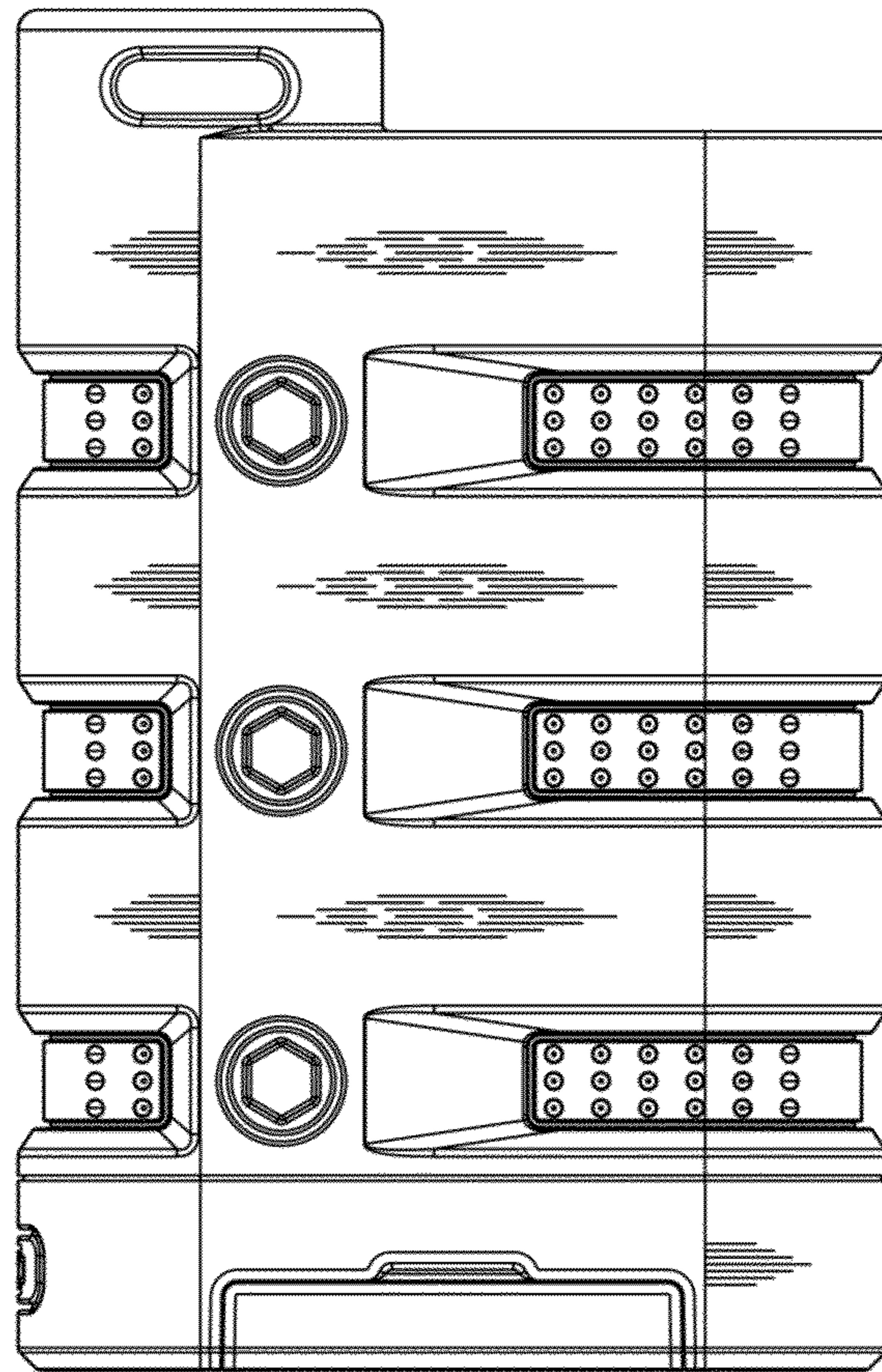


FIG. 1

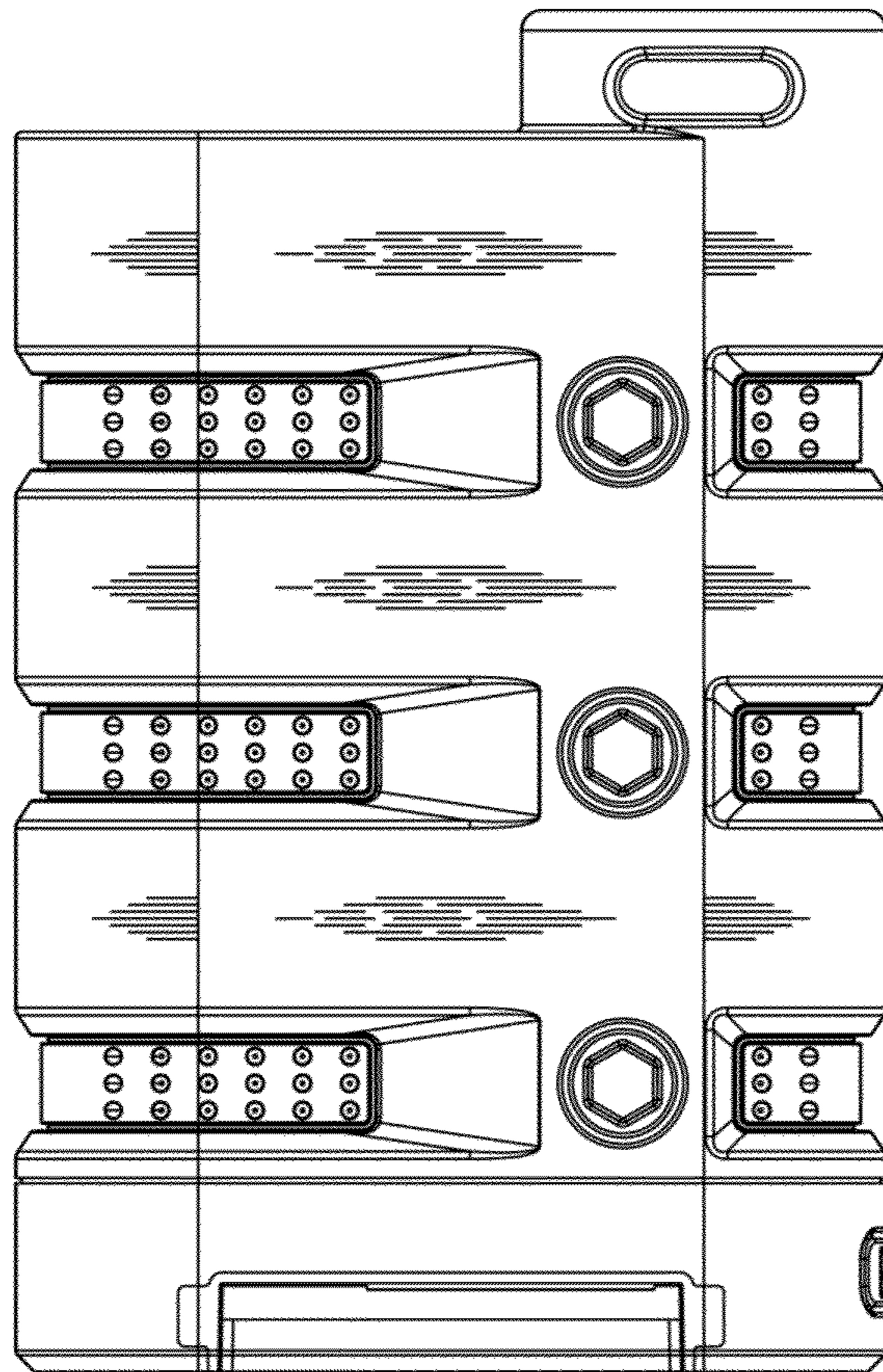


FIG. 2

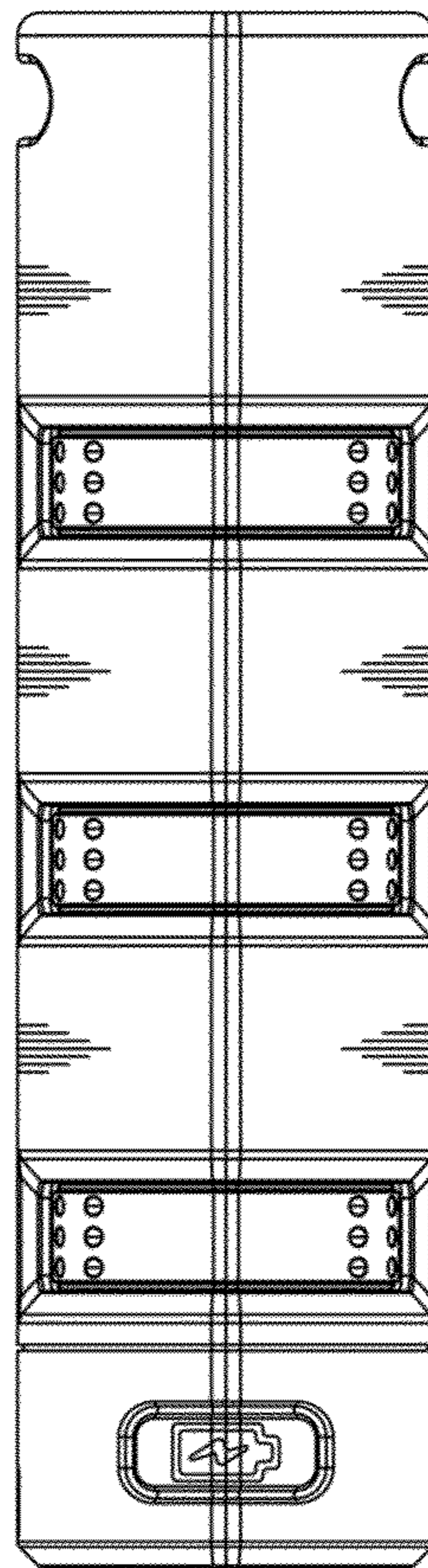


FIG. 3

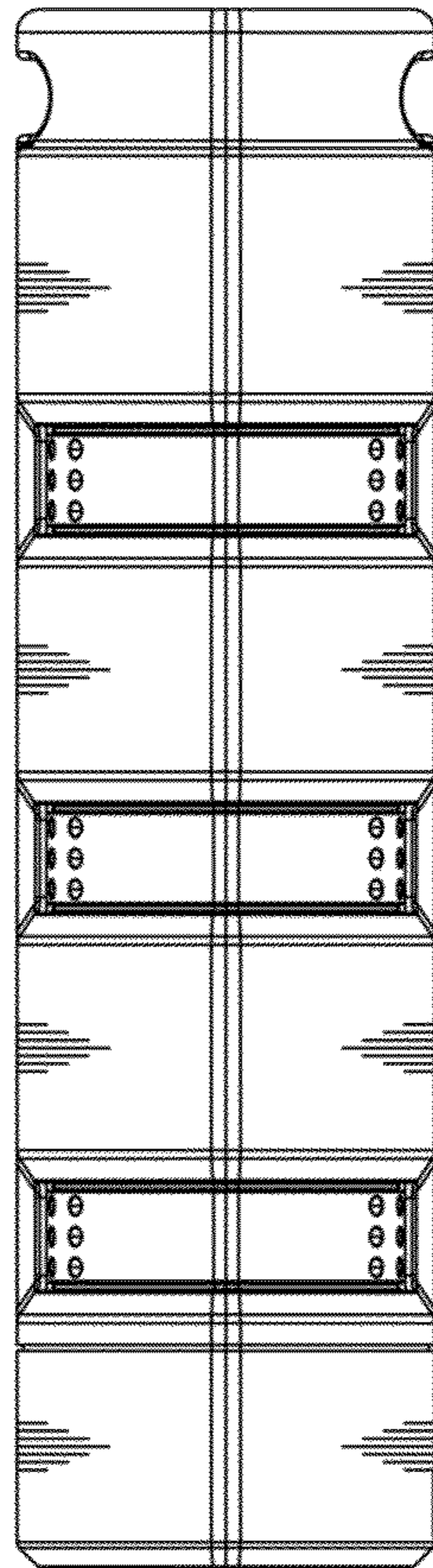


FIG. 4

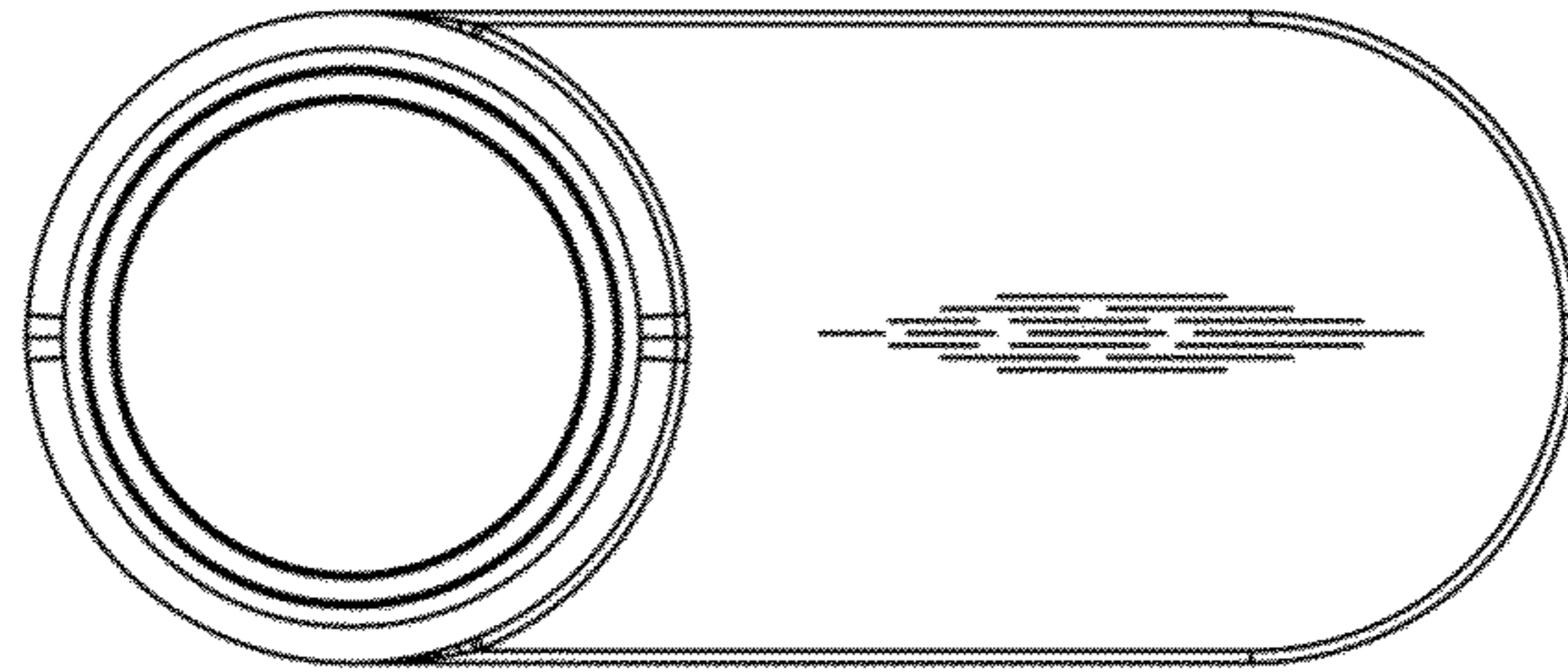


FIG. 5

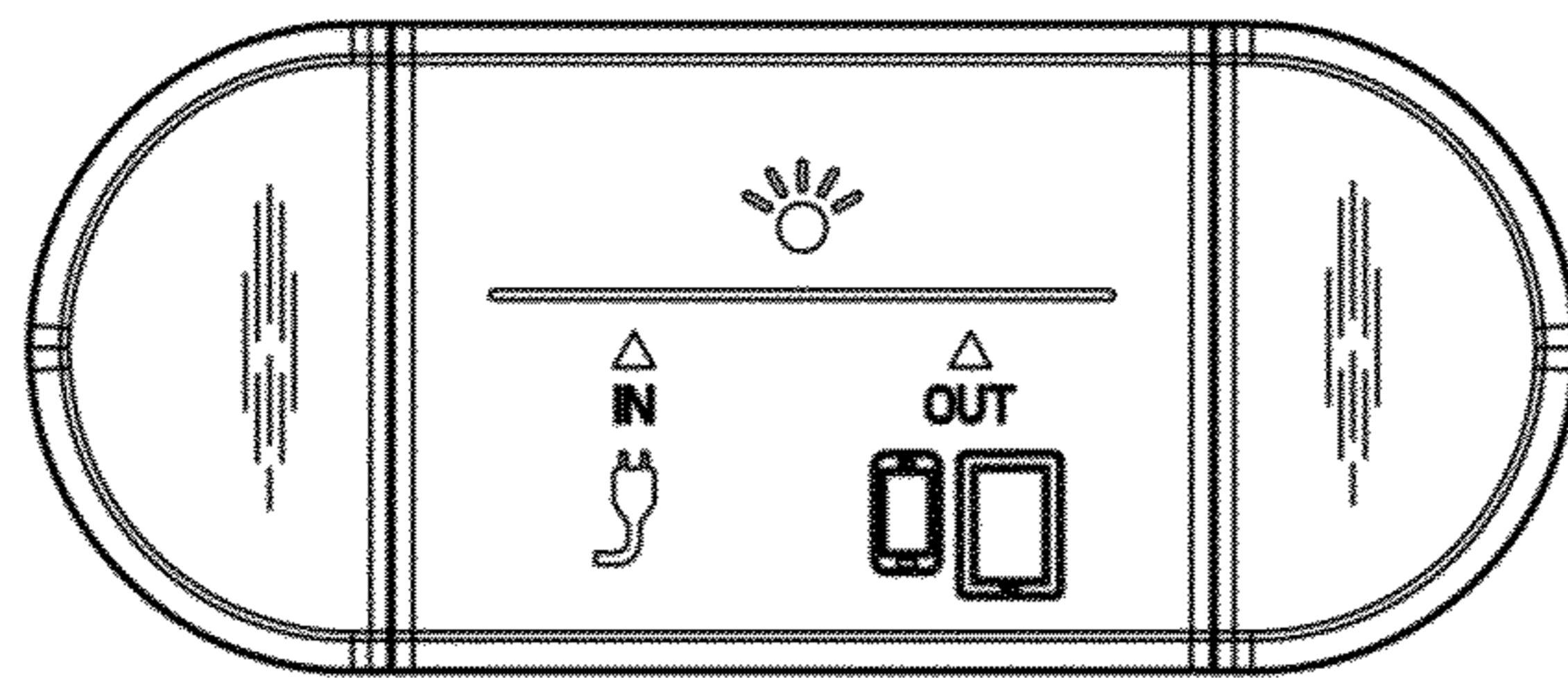


FIG. 6

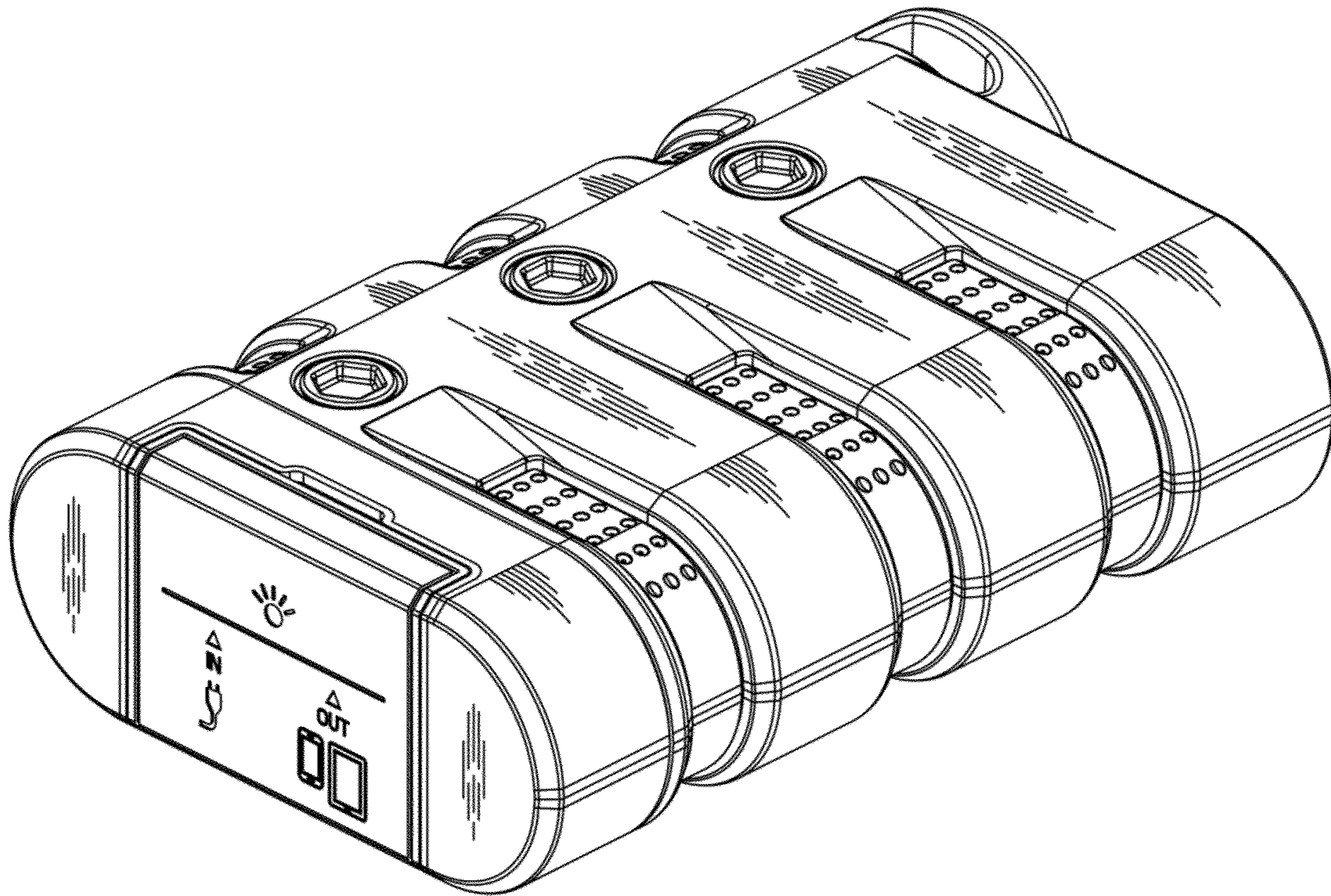


FIG. 7