



US00D704639S

(12) **United States Design Patent**
Alesi et al.

(10) **Patent No.:** **US D704,639 S**
(45) **Date of Patent:** **** May 13, 2014**

(54) **SOCKET ADAPTER**

(71) Applicant: **Custom Accessories Inc.**, Richmond, IL
(US)

(72) Inventors: **Vincent Anthony Alesi**, Richmond, IL
(US); **Anthony Salvatore Ferenzi**,
Richmond, IL (US)

(73) Assignee: **Custom Accessories Inc.**, Richmond, IL
(US)

(**) Term: **14 Years**

(21) Appl. No.: **29/454,479**

(22) Filed: **May 10, 2013**

(51) **LOC (10) Cl.** **13-02**

(52) **U.S. Cl.**
USPC **D13/110**

(58) **Field of Classification Search**
USPC D13/107-110, 118-119, 144, 184, 199;
D14/155, 242, 251, 432-434;
320/107-115; 363/146; 439/131, 172,
439/300, 626, 628, 638, 668-669, 675, 825

See application file for complete search history.

(56) **References Cited**

U.S. PATENT DOCUMENTS

D464,934 S *	10/2002	Chen	D13/110
D542,279 S *	5/2007	Chan	D14/216
D620,884 S *	8/2010	Lee et al.	D13/108
D623,322 S *	9/2010	Wallach et al.	D26/38
D628,960 S *	12/2010	Shimizu et al.	D13/107
D654,858 S *	2/2012	Salazar et al.	D13/107

* cited by examiner

Primary Examiner — Rosemary K Tarcza

(74) *Attorney, Agent, or Firm* — Leydig, Voit & Mayer, Ltd.

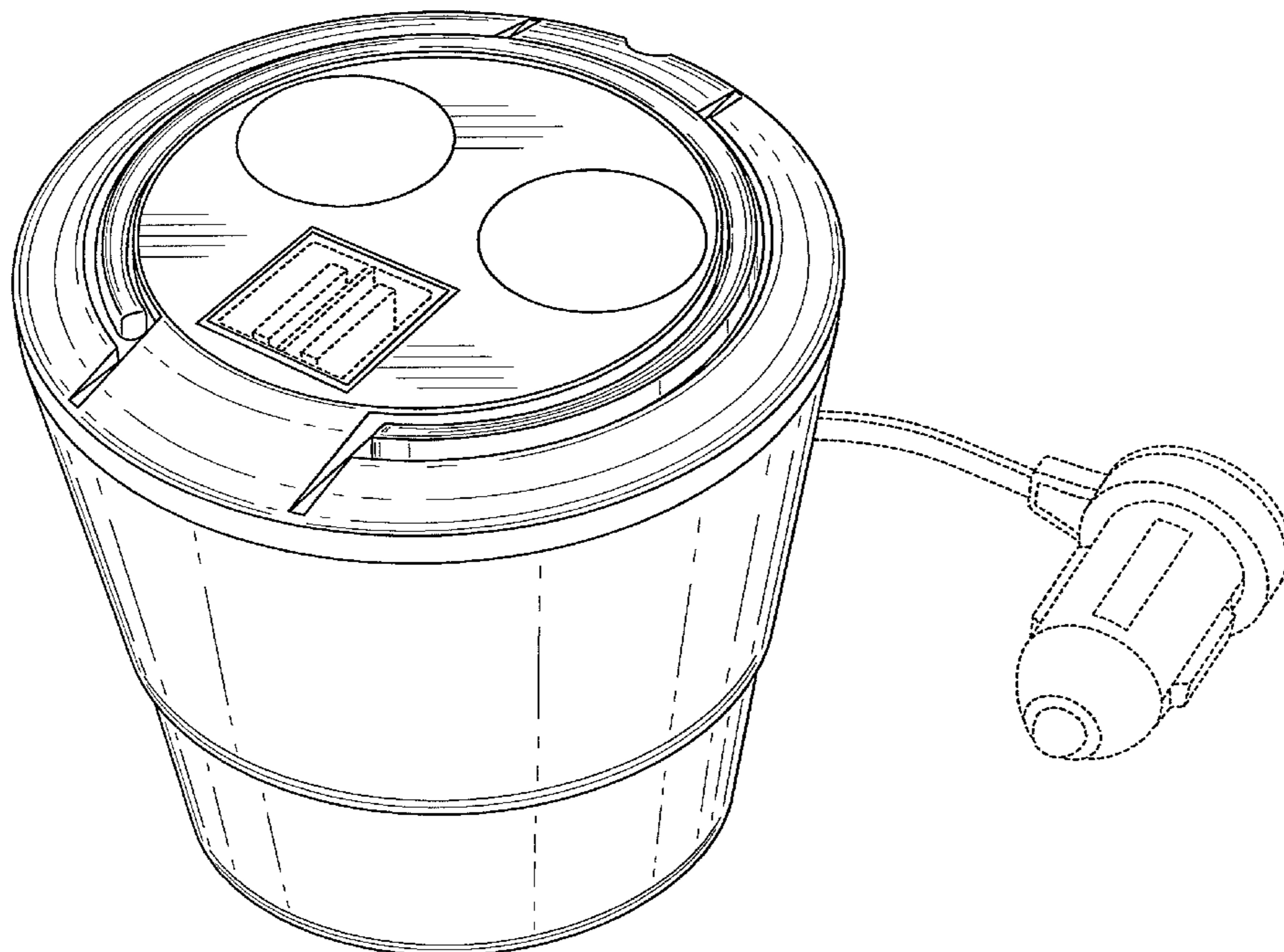
(57) **CLAIM**

The ornamental design for a socket adapter, as shown and described.

DESCRIPTION

FIG. 1 is a perspective view taken from the top, front, and right side of a socket adapter showing our new design; FIG. 2 is a front elevational view of the socket adapter of FIG. 1; FIG. 3 is a rear elevational view of the socket adapter of FIG. 1; FIG. 4 is a left side view of the socket adapter of FIG. 1; FIG. 5 is a right side view of the socket adapter of FIG. 1; FIG. 6 is a top view of the socket adapter of FIG. 1; and, FIG. 7 is a bottom view of the socket adapter of FIG. 1. The broken lines are for purposes of illustrating portions of the socket adapter that form no part of the claimed design.

1 Claim, 7 Drawing Sheets



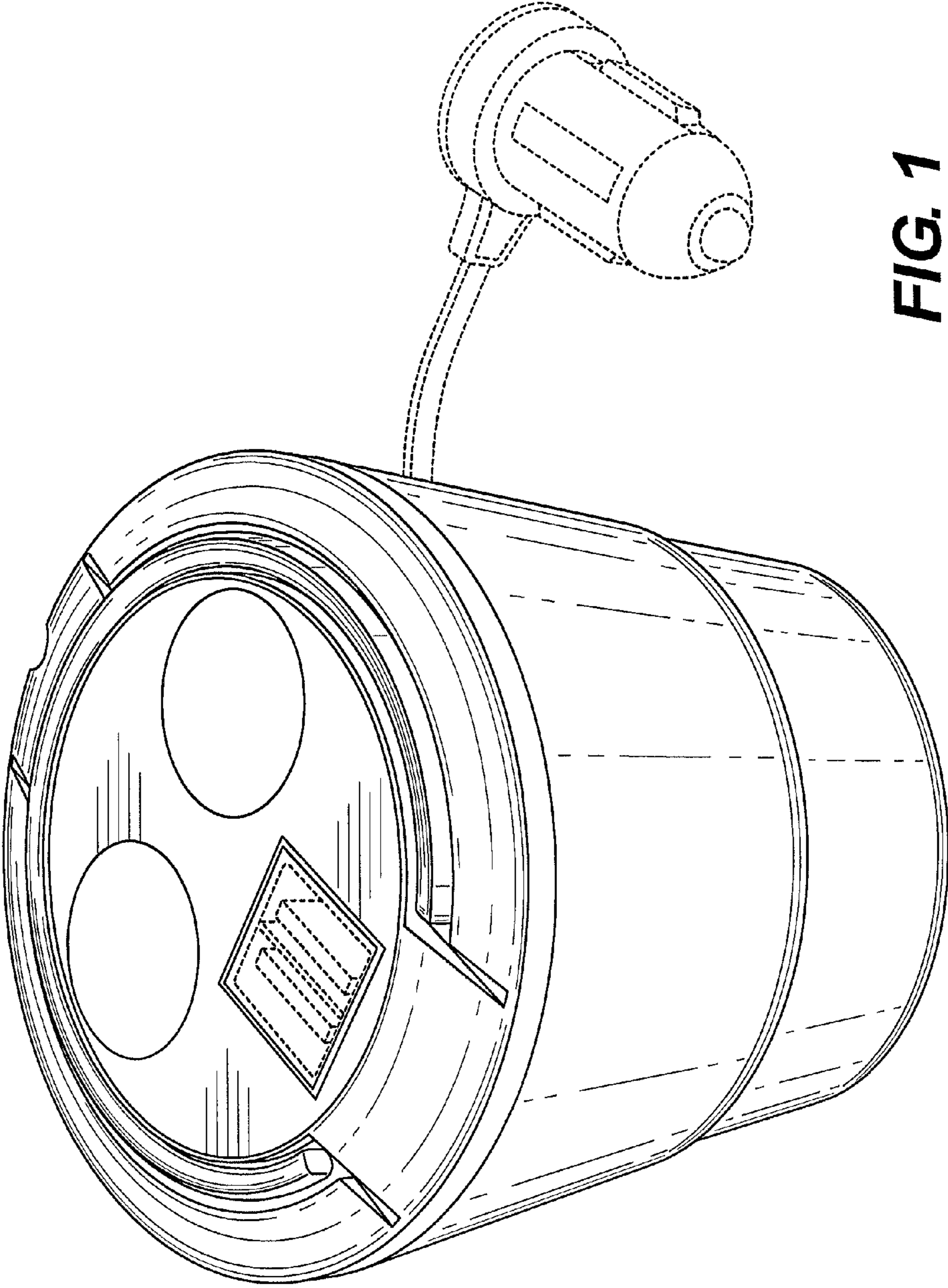


FIG. 1

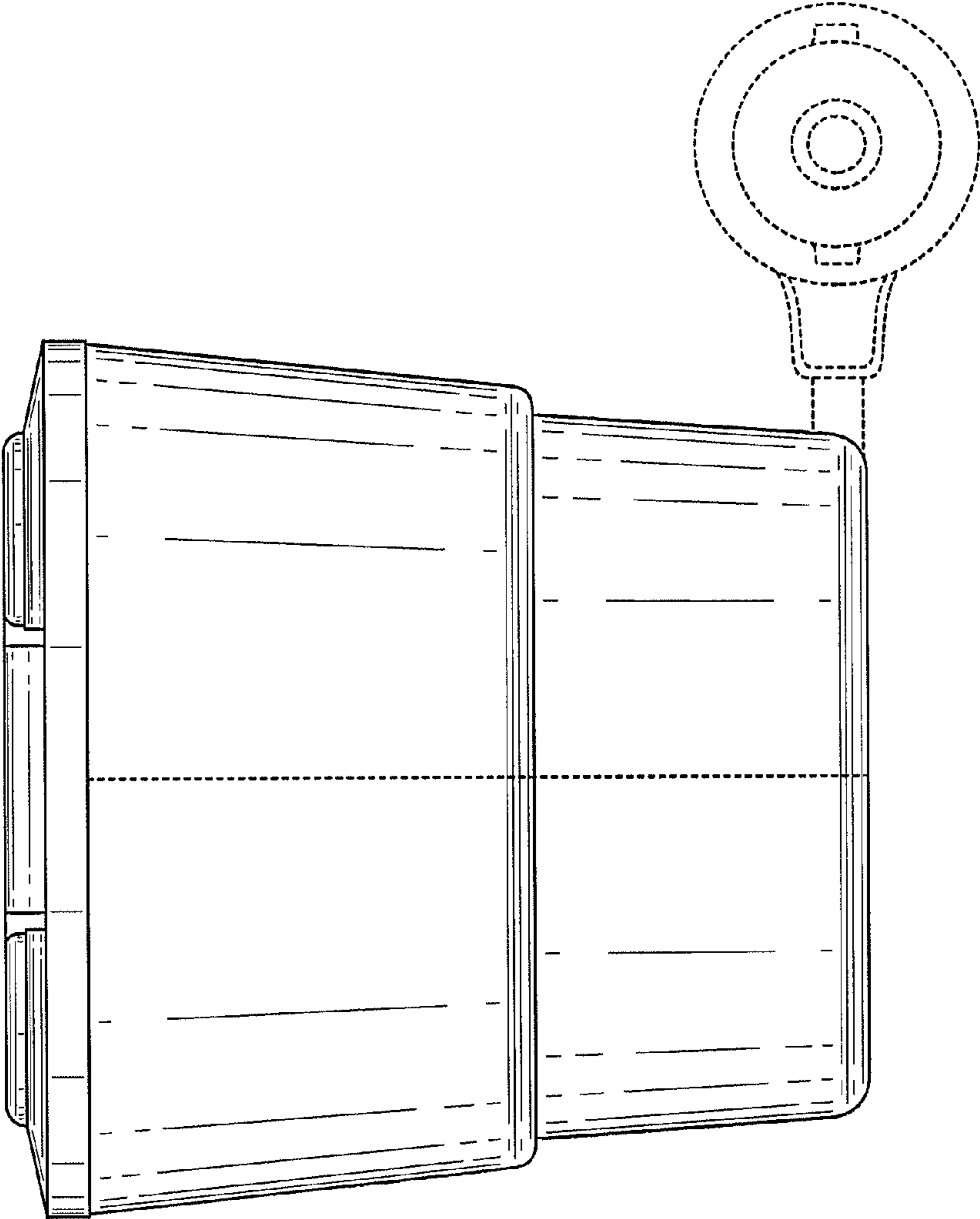


FIG. 2

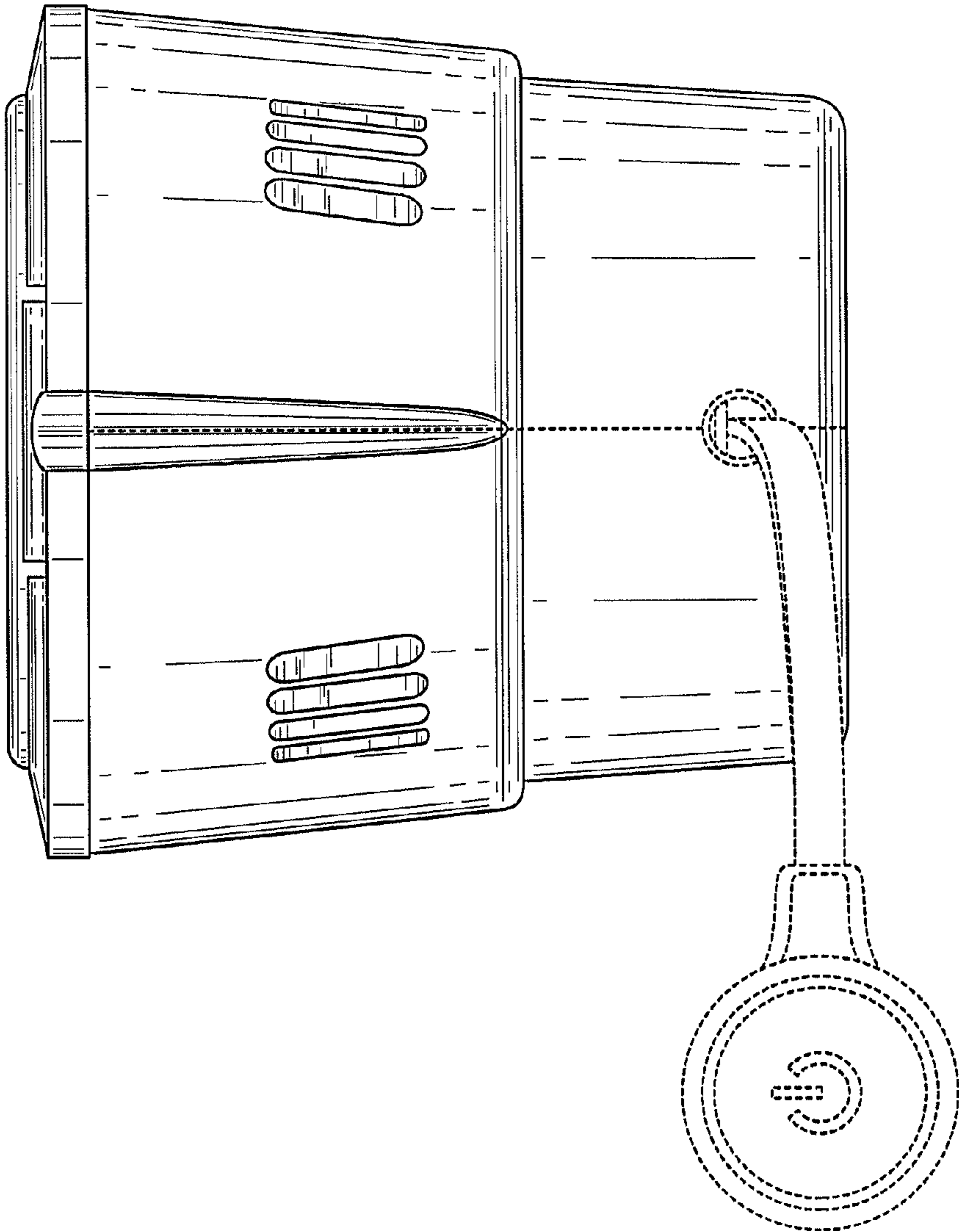


FIG. 3

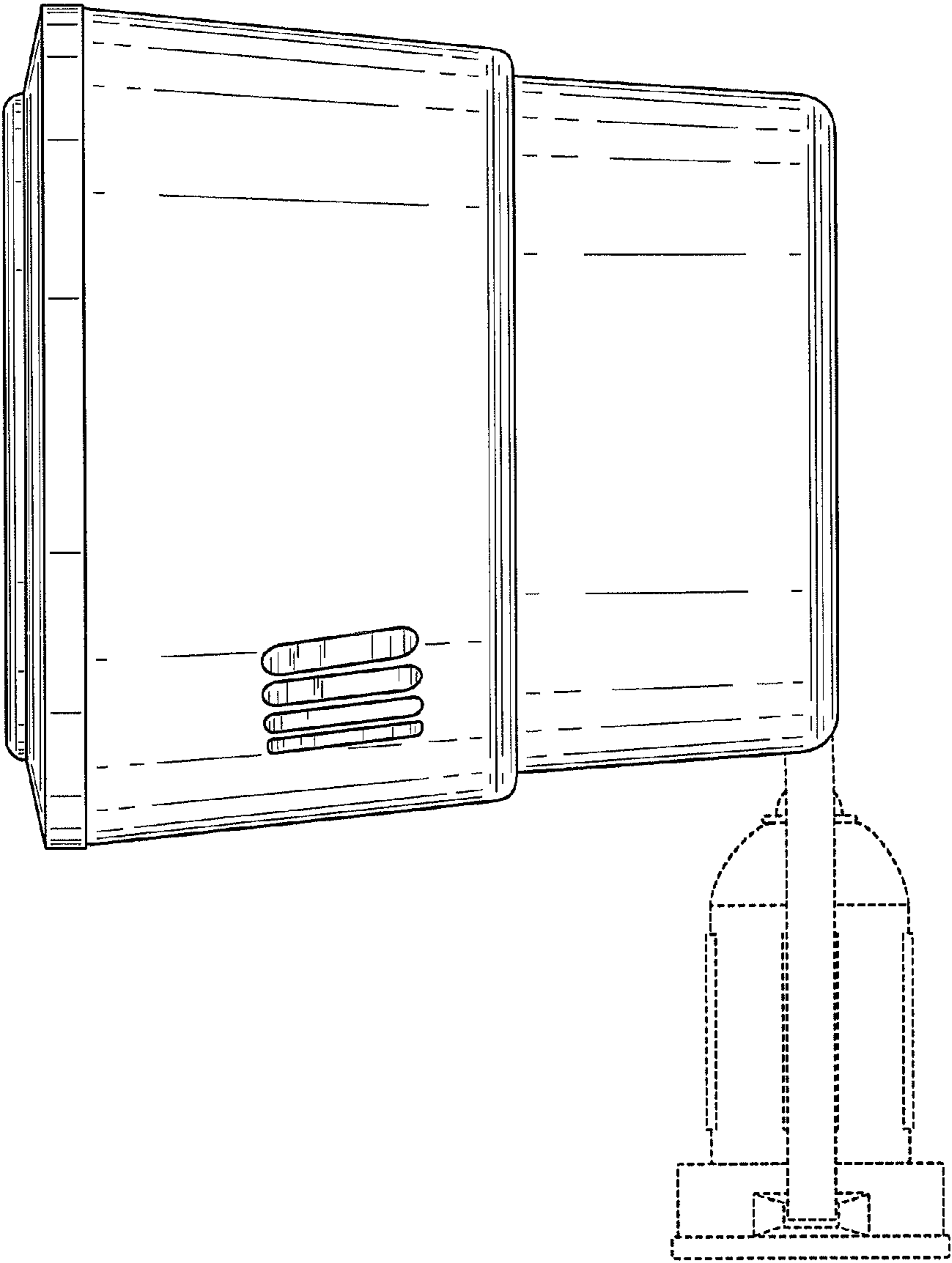


FIG. 4

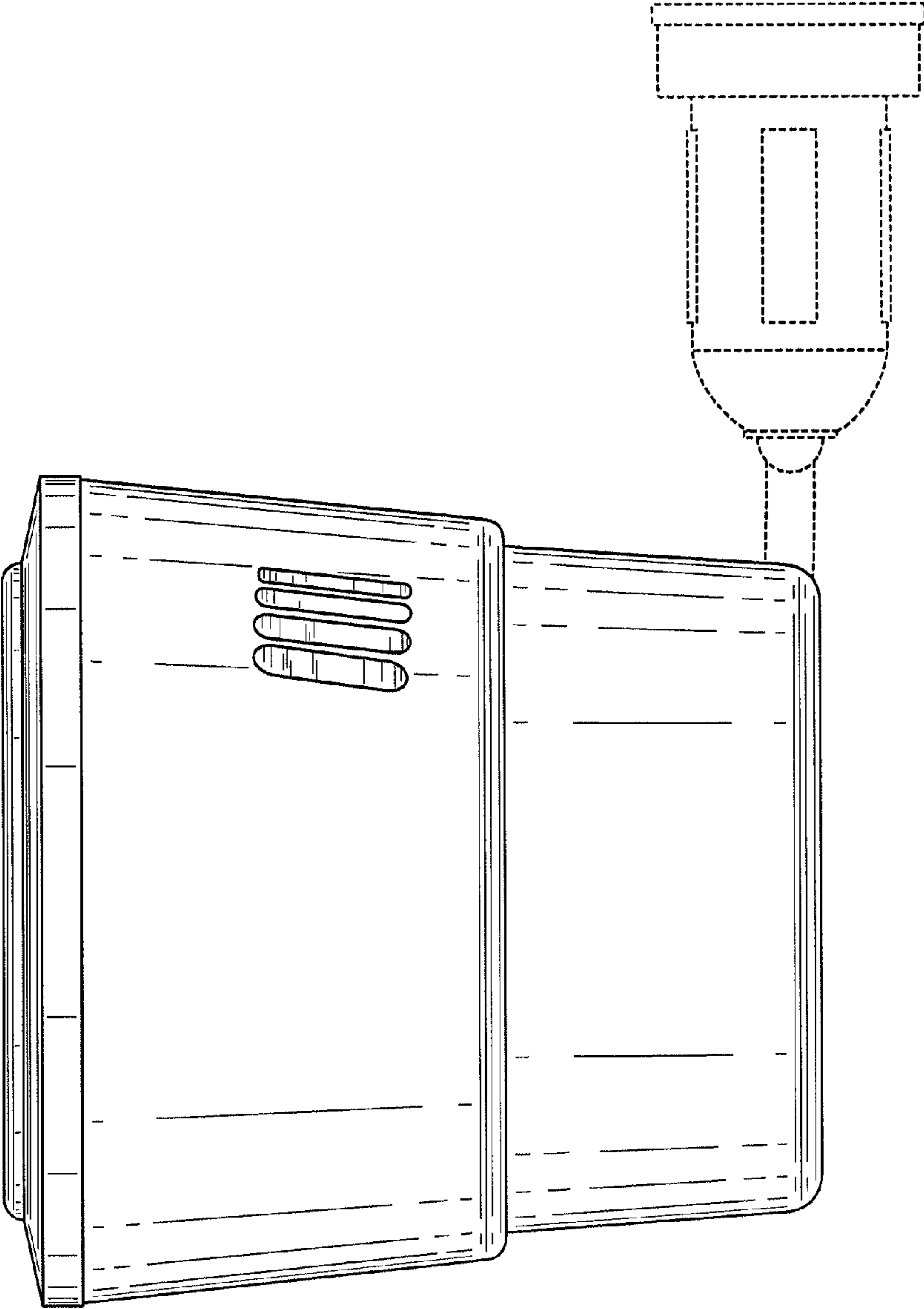


FIG. 5

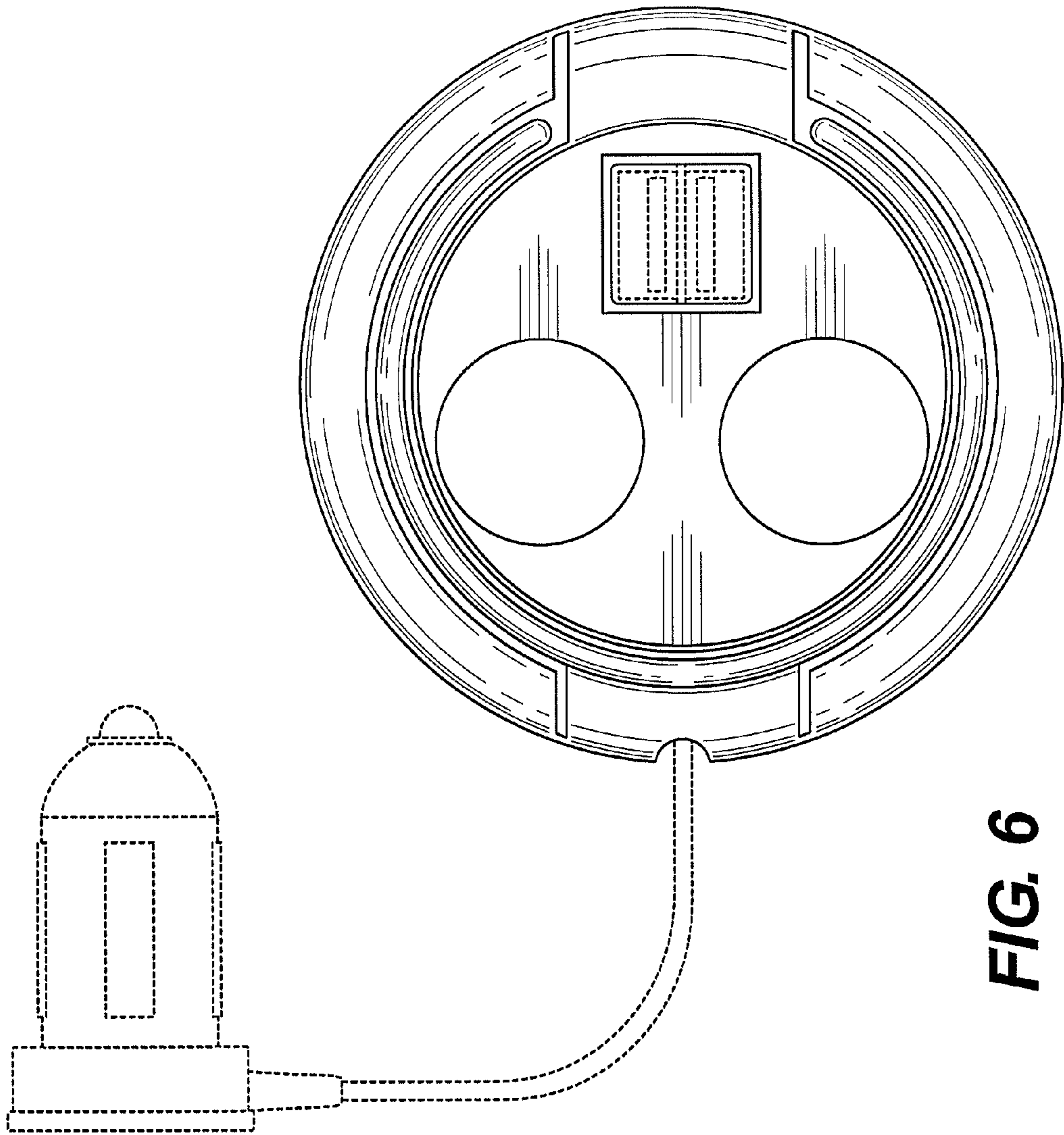


FIG. 6

