



US00D704638S

(12) **United States Design Patent**
Inskeep

(10) **Patent No.:** **US D704,638 S**

(45) **Date of Patent:** **** May 13, 2014**

(54) **POWER INVERTER**

(71) Applicant: **Mathew Inskeep**, Boca Raton, FL (US)

(72) Inventor: **Mathew Inskeep**, Boca Raton, FL (US)

(**) Term: **14 Years**

(21) Appl. No.: **29/453,231**

(22) Filed: **Apr. 26, 2013**

(51) **LOC (10) Cl.** **13-02**

(52) **U.S. Cl.**
USPC **D13/110**

(58) **Field of Classification Search**
USPC D13/110, 108, 118, 123, 162, 168, 169,
D13/174, 177, 184, 199; D10/103;
D14/257, 432, 438; 16/404; 334/7, 10;
337/186; 361/600, 601, 692, 730;
363/141, 142
See application file for complete search history.

(56) **References Cited**

U.S. PATENT DOCUMENTS

5,949,640 A * 9/1999 Cameron et al. 361/600
D505,915 S * 6/2005 Hussaini et al. D13/110

D526,614 S * 8/2006 Kajiura D13/110
D595,647 S * 7/2009 Shum et al. D13/110
D609,180 S * 2/2010 Suzuki et al. D13/110
D616,815 S * 6/2010 Jadraque Aznarez
et al. D13/110
D627,719 S * 11/2010 DuMelle et al. D13/110
D644,603 S * 9/2011 Liu D13/102

* cited by examiner

Primary Examiner — Derrick Holland

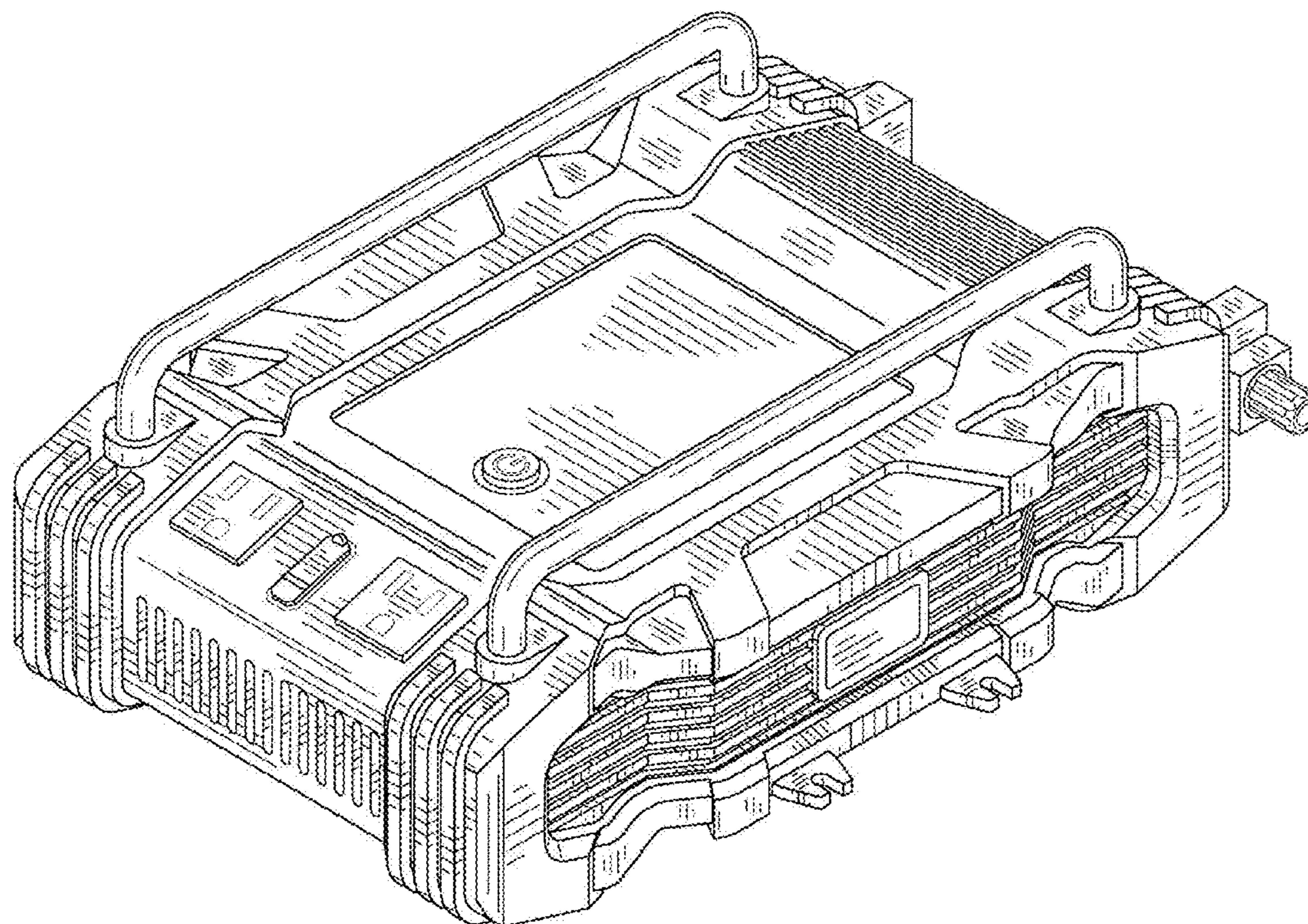
(57) **CLAIM**

The ornamental design for a power inverter, as shown and described.

DESCRIPTION

FIG. 1 is a top perspective view of the power inverter showing my new design.
FIG. 2 is a bottom perspective view.
FIG. 3 is a top view thereof.
FIG. 4 is a bottom view thereof.
FIG. 5 is a front view thereof.
FIG. 6 is a back view thereof; and,
FIG. 7 is a left side view.

1 Claim, 6 Drawing Sheets



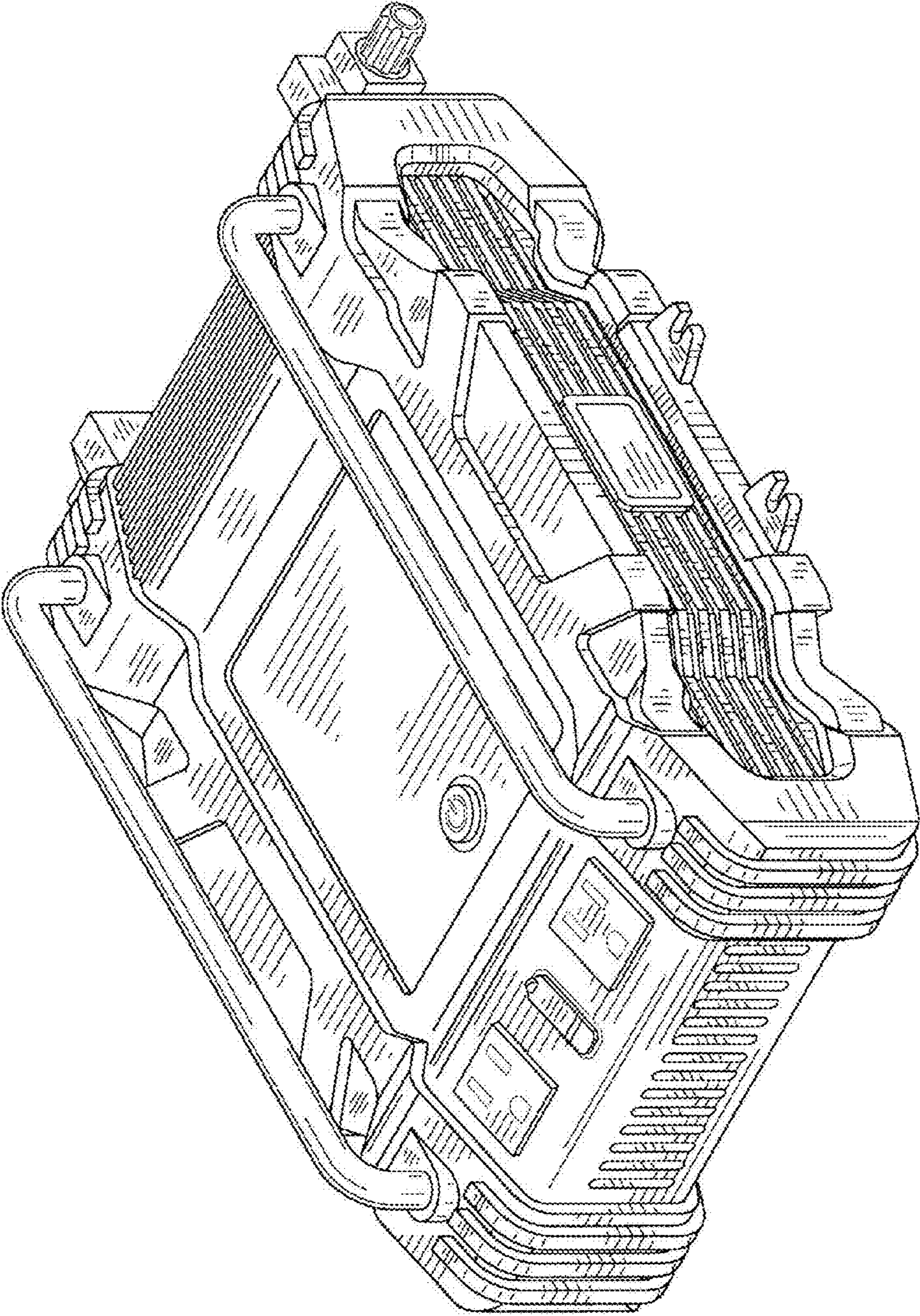


FIG. 1

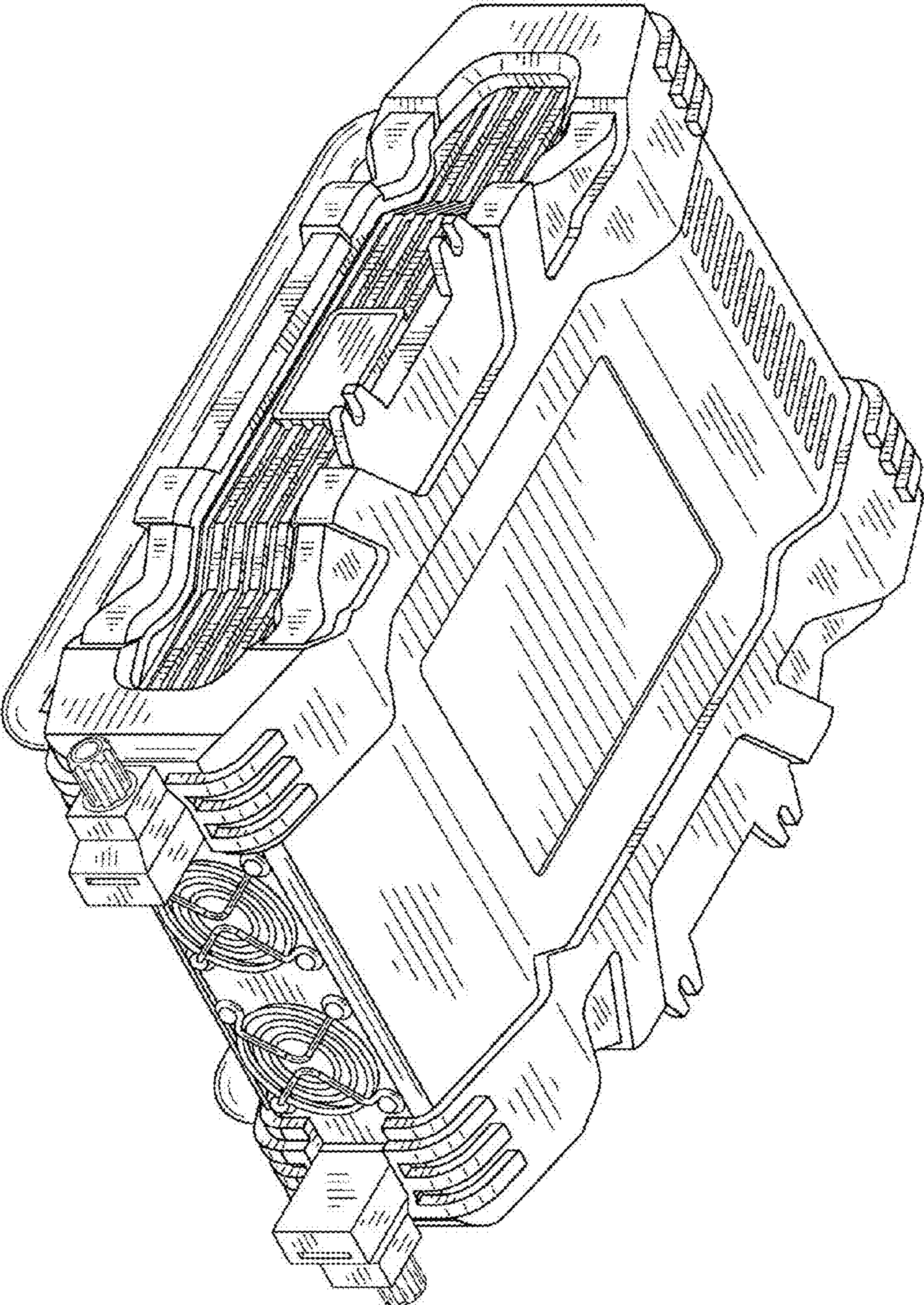


FIG. 2

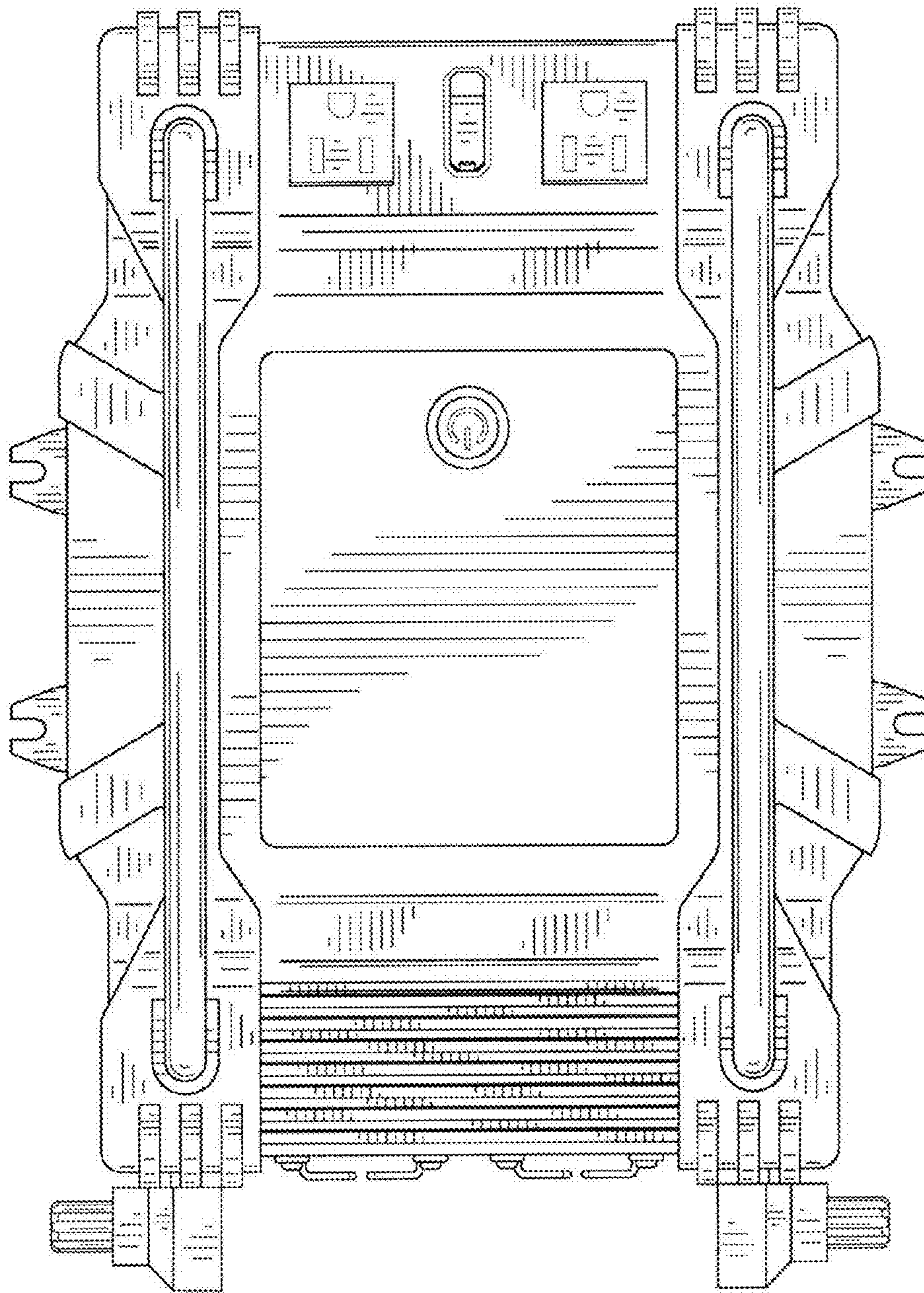


FIG. 3

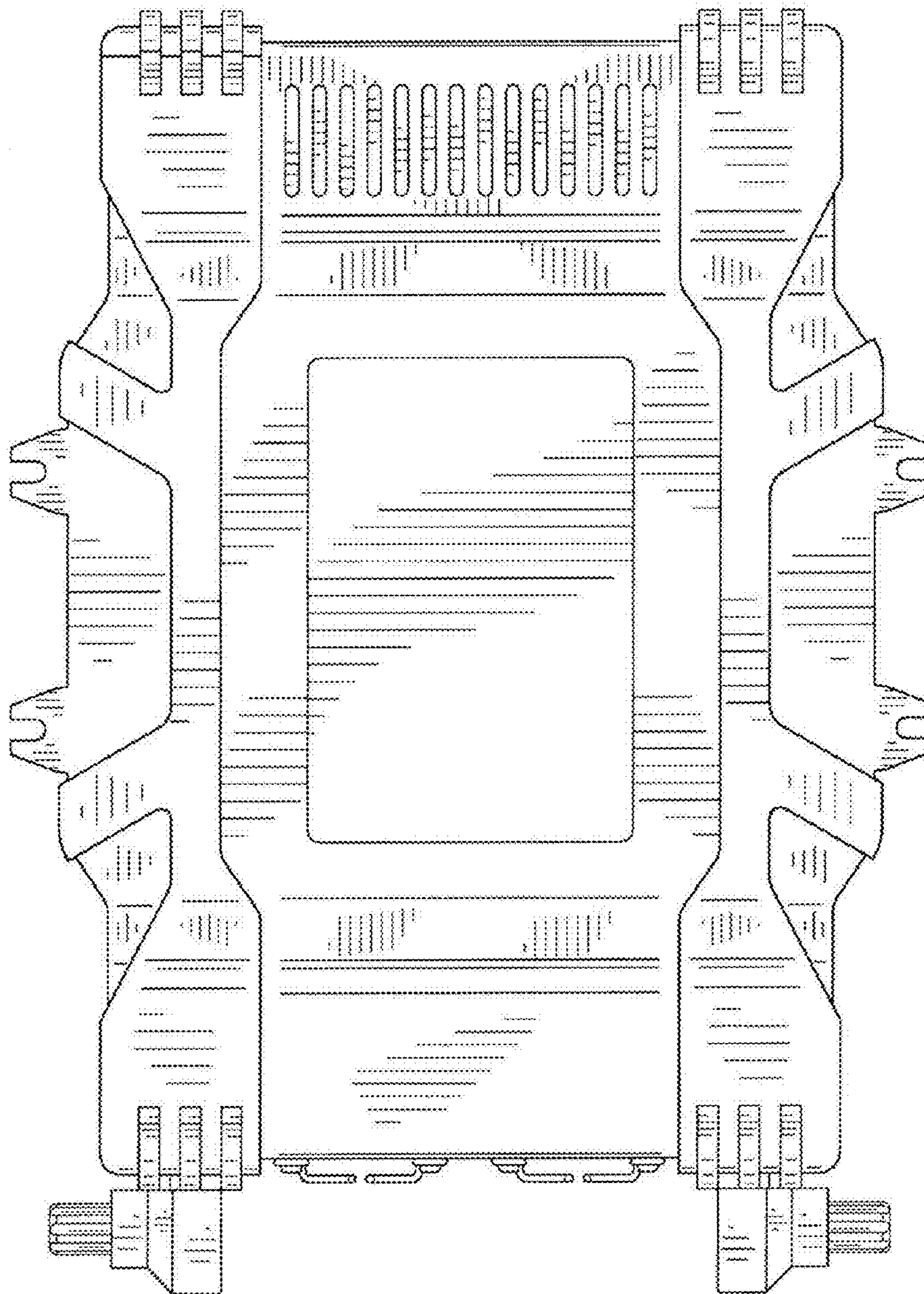


FIG. 4

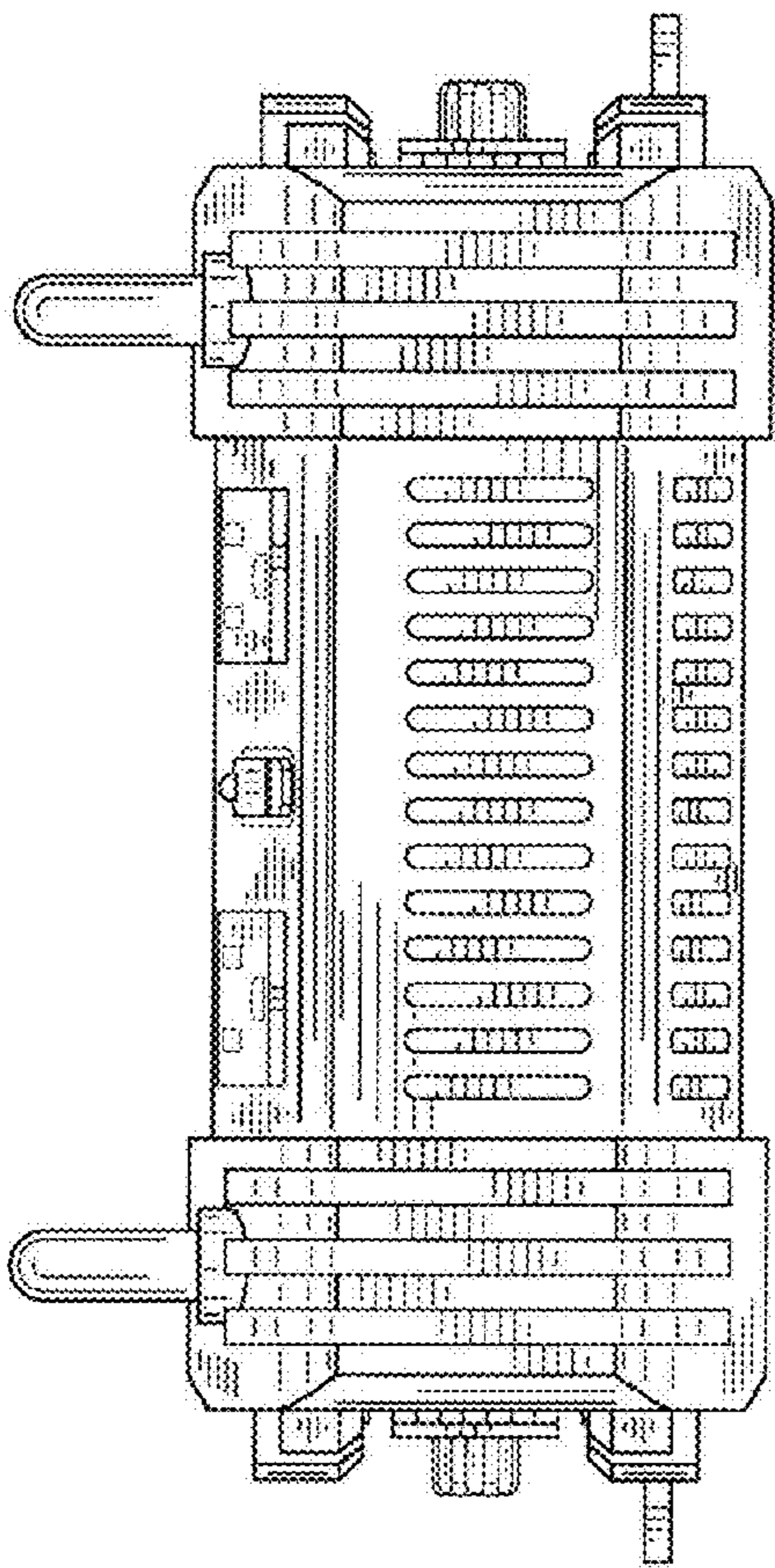


FIG. 5

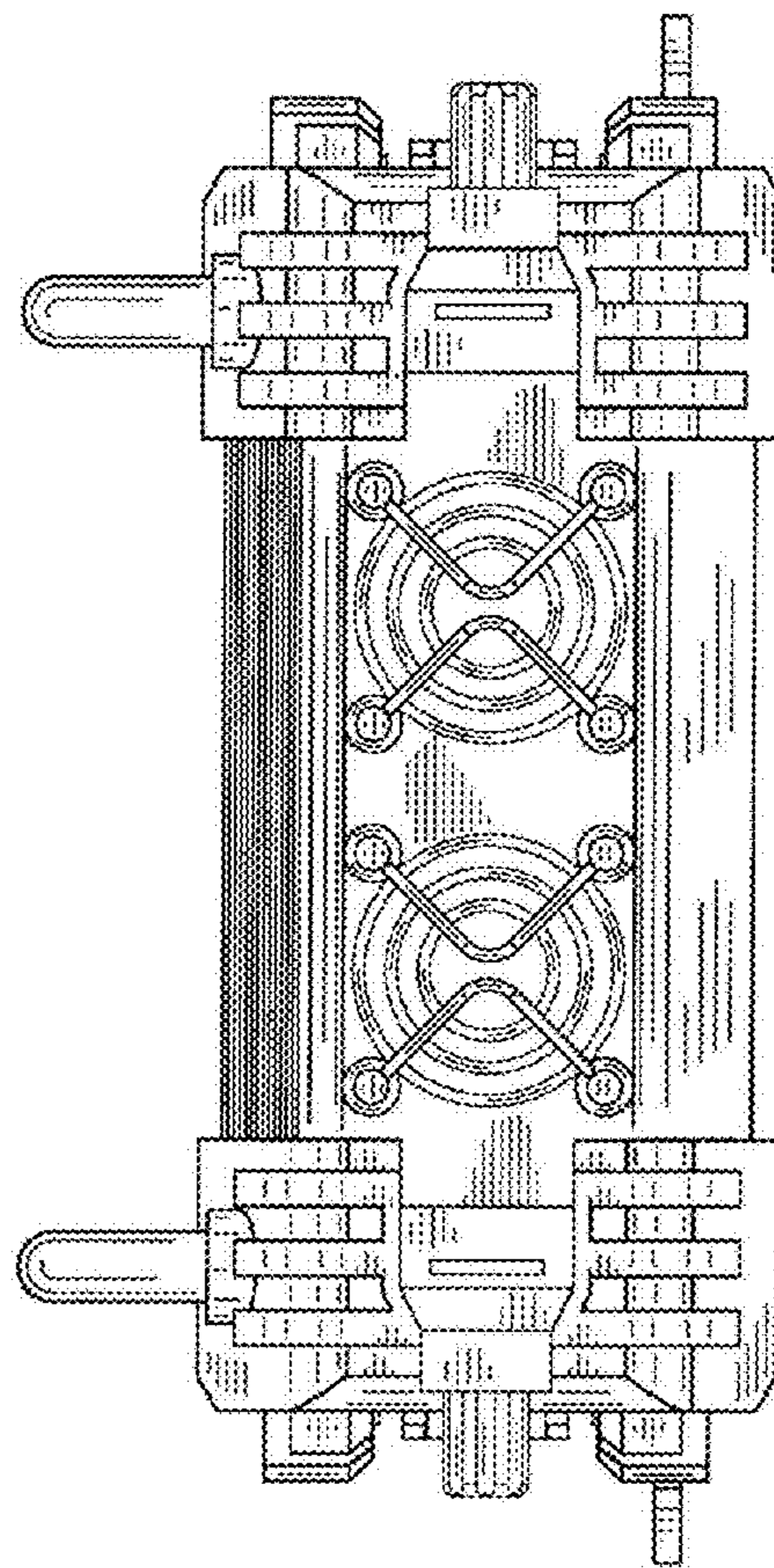


FIG. 6

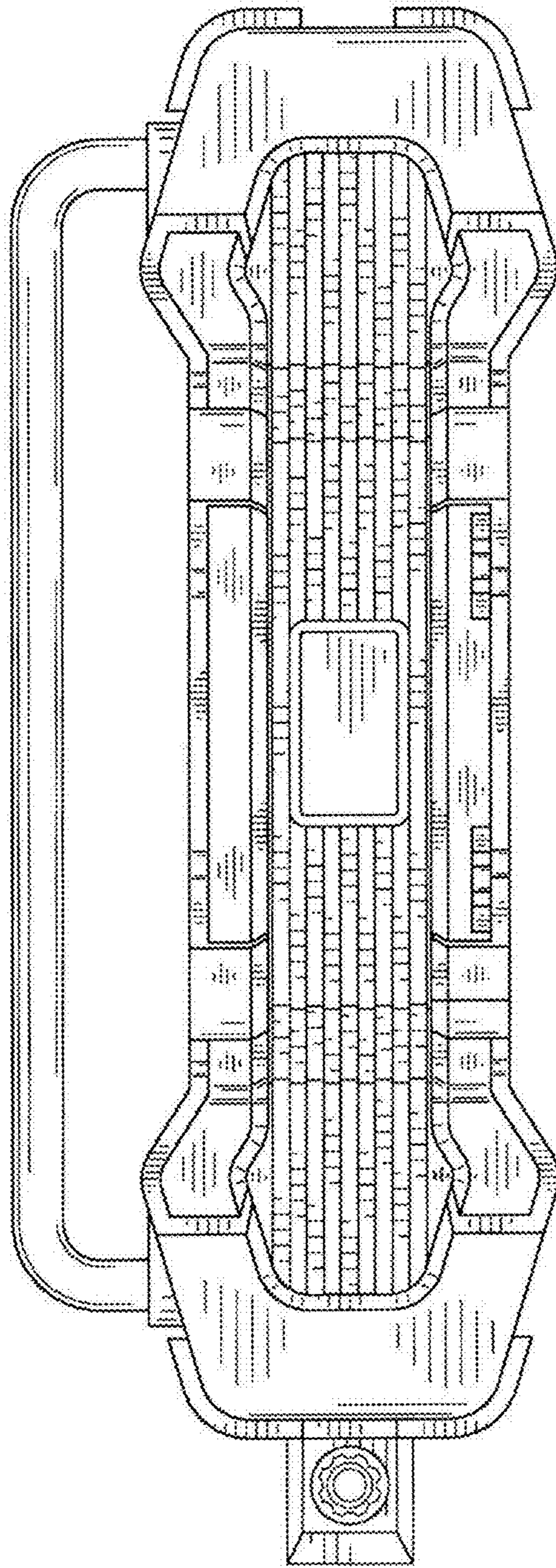


FIG. 7