



US00D704633S

(12) **United States Design Patent**
Ryu et al.

(10) **Patent No.:** **US D704,633 S**
(45) **Date of Patent:** **** May 13, 2014**

(54) **BATTERY CHARGER FOR MOBILE PHONES**

(71) Applicant: **LG Electronics Inc.**, Seoul (KR)

(72) Inventors: **Hyung Gon Ryu**, Seoul (KR); **Yoo Shin Ahn**, Seoul (KR)

(73) Assignee: **LG Electronics Inc.**, Seoul (KR)

(**) Term: **14 Years**

(21) Appl. No.: **29/460,764**

(22) Filed: **Jul. 15, 2013**

(30) **Foreign Application Priority Data**

Feb. 22, 2013 (KR) 30-2013-0009363

(51) **LOC (10) Cl.** **13-02**

(52) **U.S. Cl.**
USPC **D13/108**

(58) **Field of Classification Search**
USPC D13/107–110, 118–119, 184, 199;
D14/251, 253, 432, 434; 320/107–115
See application file for complete search history.

(56) **References Cited**

U.S. PATENT DOCUMENTS

D540,802 S * 4/2007 Hussaini et al. D14/434
D574,375 S * 8/2008 Prest et al. D14/253
D623,132 S * 9/2010 Yano D13/108
D633,503 S * 3/2011 Bo et al. D14/434

D642,121 S * 7/2011 Lee et al. D13/108
D647,525 S * 10/2011 Seto D14/434
D648,707 S * 11/2011 Akana et al. D14/217
D659,637 S * 5/2012 Hwang et al. D13/108
D662,471 S * 6/2012 Fahrendorff et al. D13/108
D672,350 S * 12/2012 Gioscia et al. D14/434
D687,377 S * 8/2013 Huang et al. D13/108
2008/0219488 A1 * 9/2008 Crooijmans et al. 381/333

* cited by examiner

Primary Examiner — Rosemary K Tarcza

(74) *Attorney, Agent, or Firm* — Morgan, Lewis & Bockius LLP

(57) **CLAIM**

We claim the ornamental design for a battery charger for mobile phones, as shown and described.

DESCRIPTION

FIG. 1 is a perspective view of a battery charger for mobile phones showing the new design:

FIG. 2 is a front elevation view thereof;

FIG. 3 is a rear elevation view thereof;

FIG. 4 is a left-side elevation view thereof;

FIG. 5 is a right-side elevation view thereof;

FIG. 6 is a top plan view thereof;

FIG. 7 is a bottom plan view thereof; and,

FIG. 8 is a perspective view in a state of use thereof.

The broken lines shown in the drawings are included for the purpose of illustrating environmental structure and form no part of the claimed design.

1 Claim, 6 Drawing Sheets

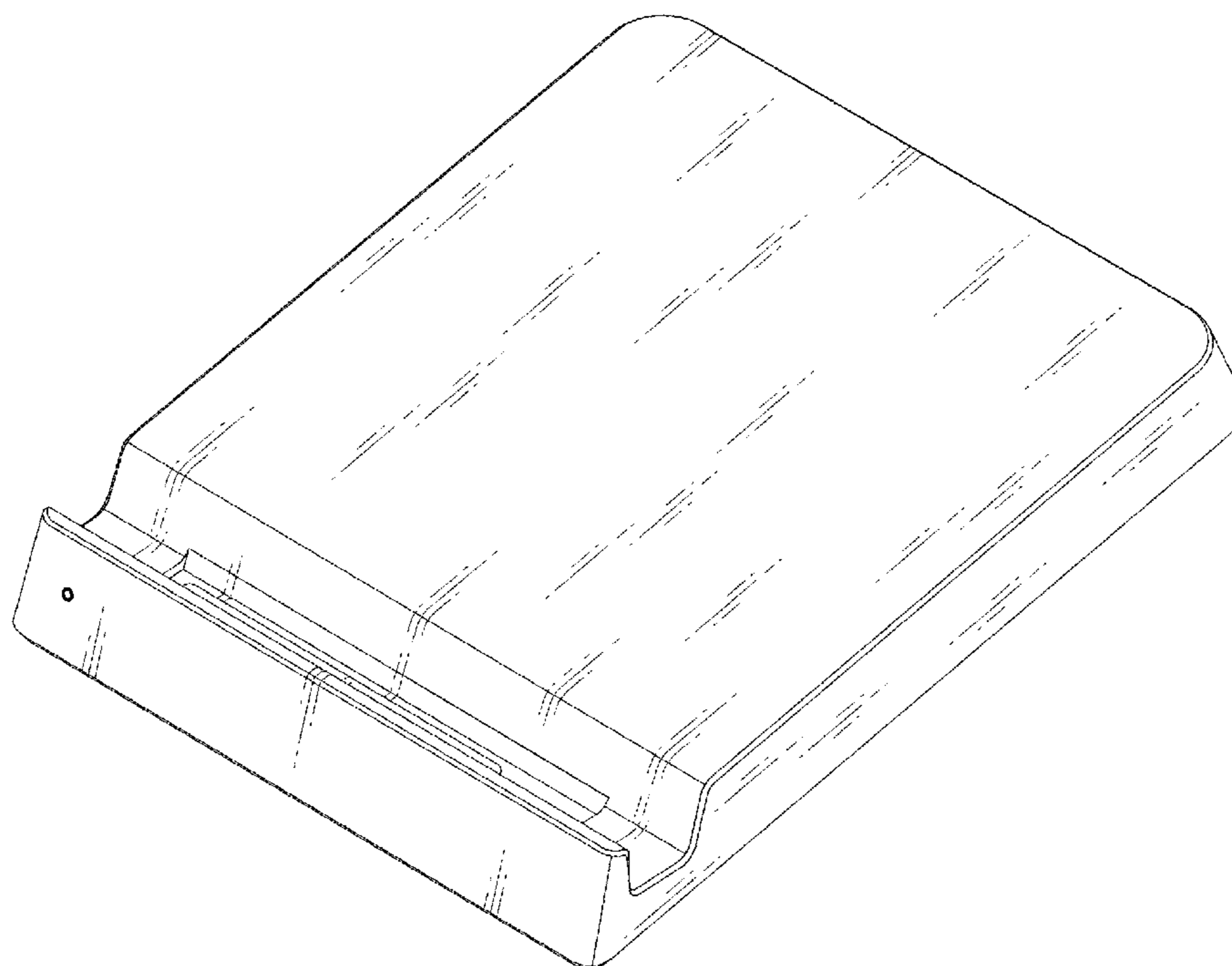


FIG. 1

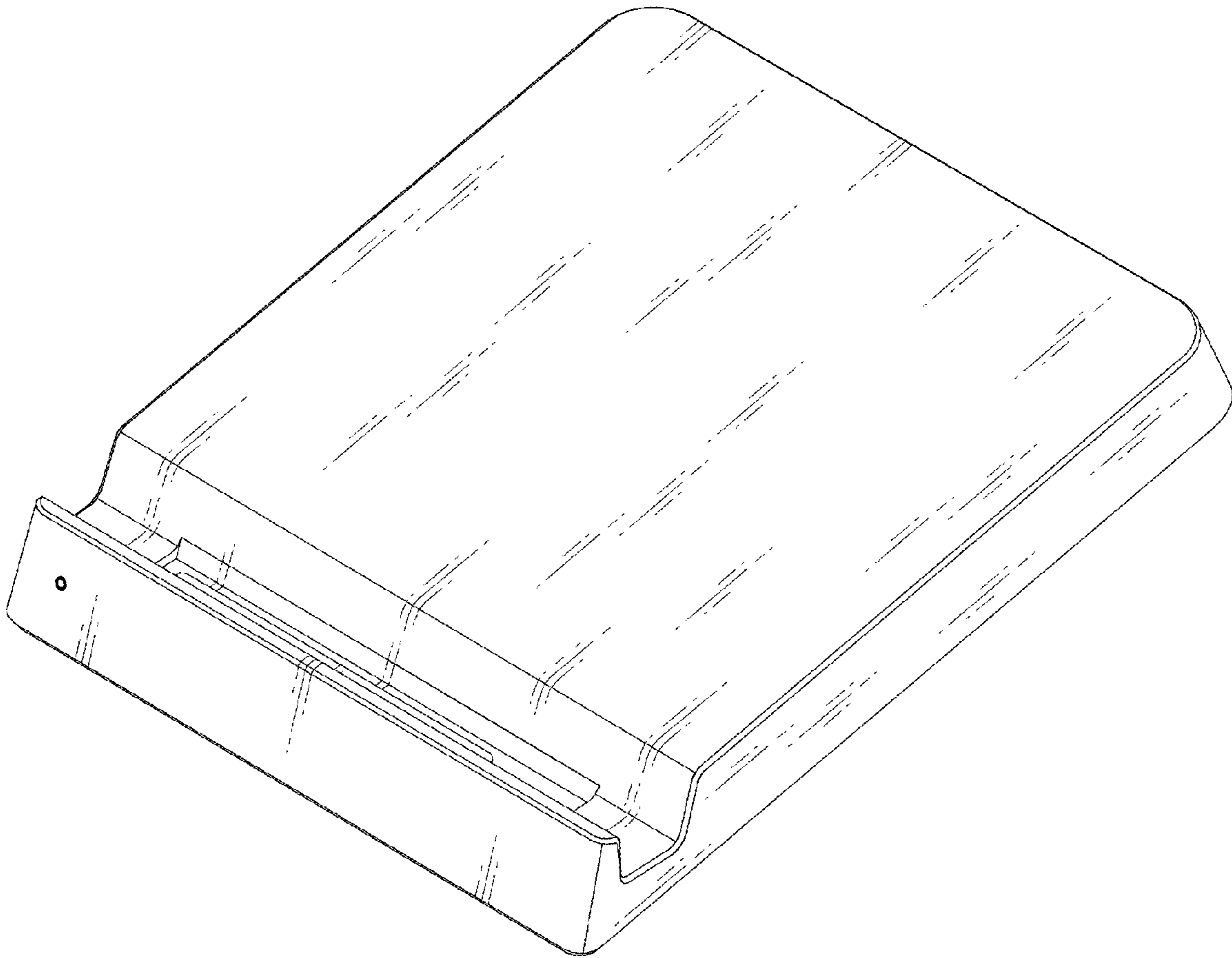


FIG. 2

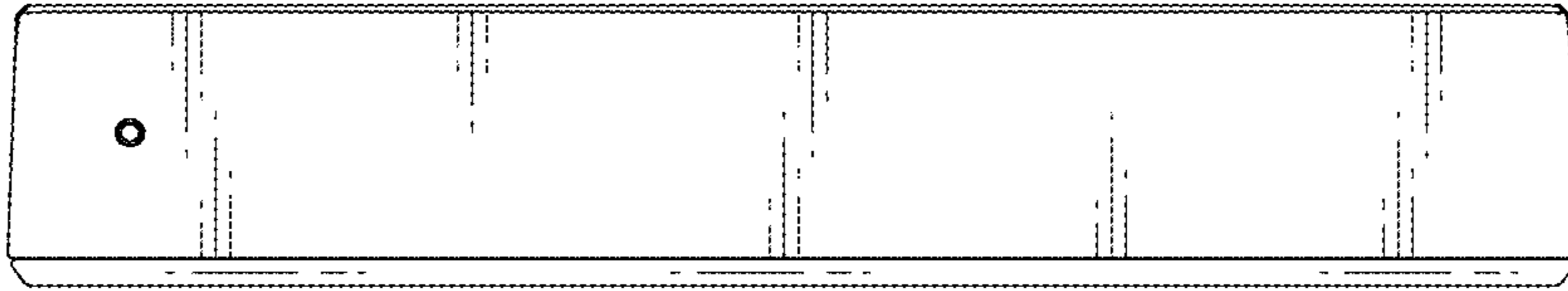


FIG. 3

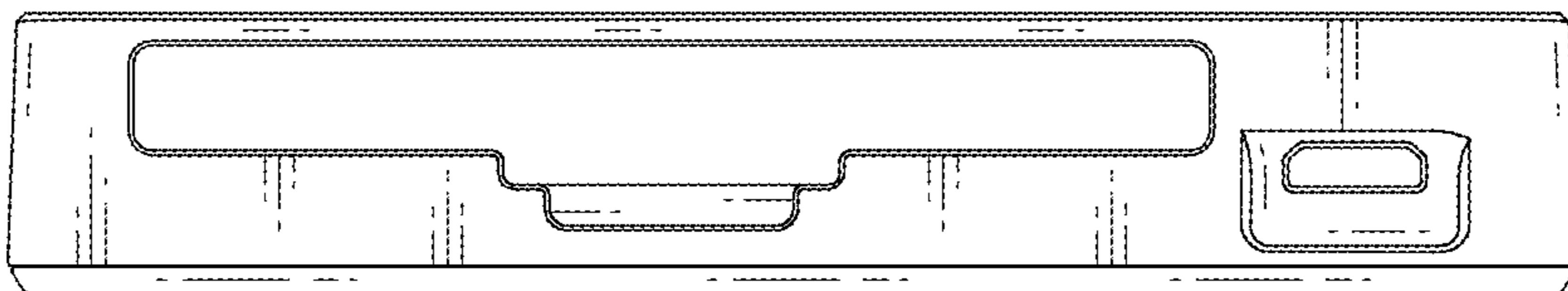


FIG. 4

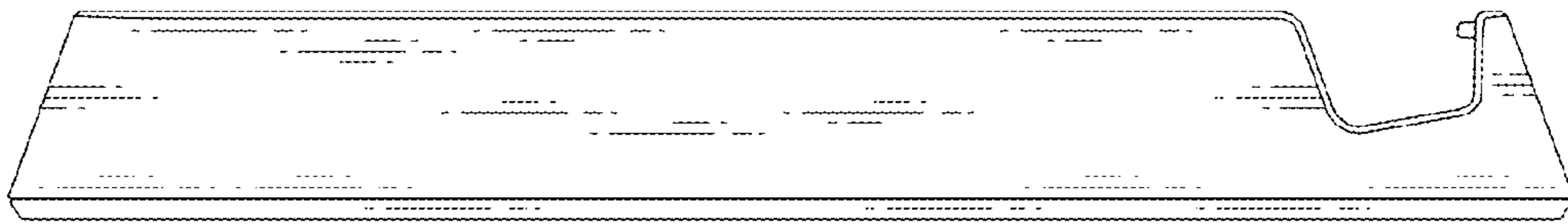


FIG. 5

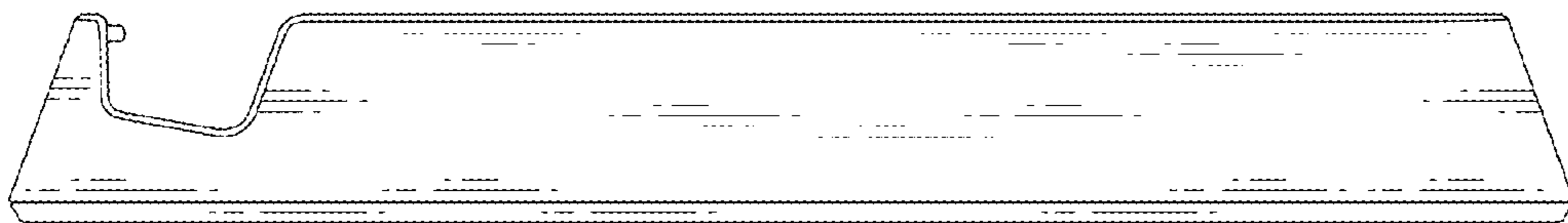


FIG. 6

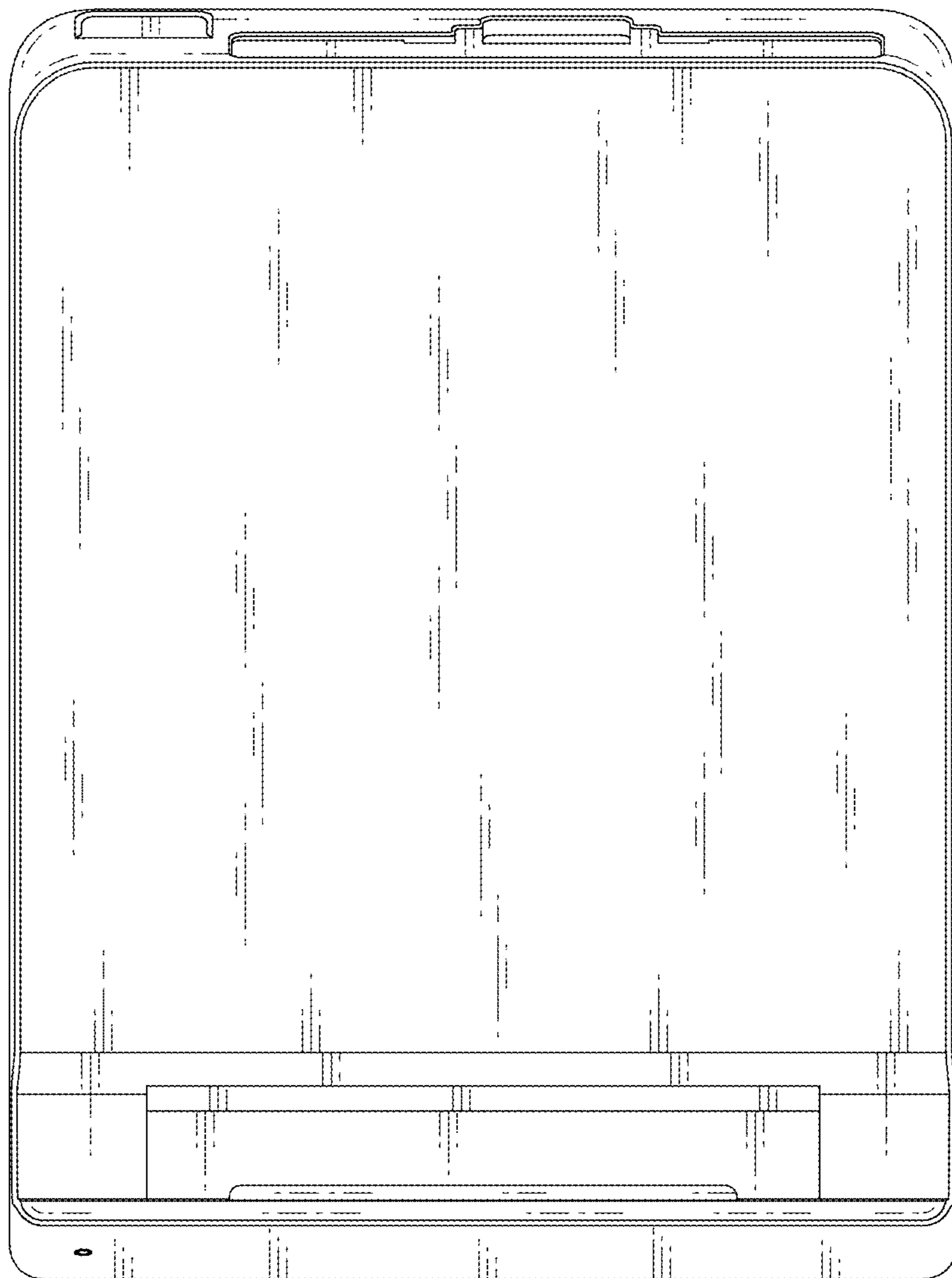


FIG. 7

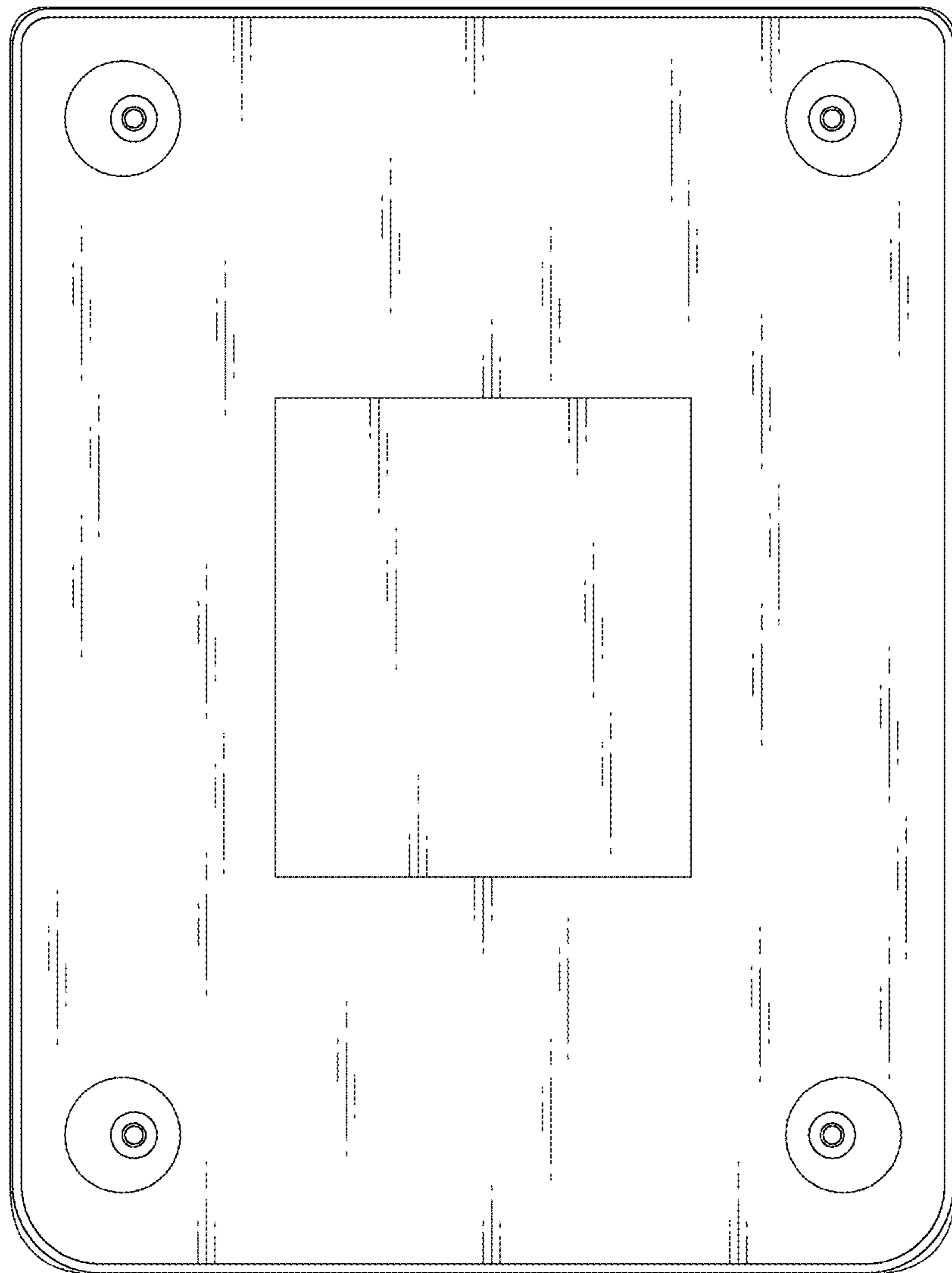


FIG. 8

