



US00D704632S

(12) **United States Design Patent**
On et al.

(10) **Patent No.:** **US D704,632 S**

(45) **Date of Patent:** **** May 13, 2014**

(54) **CHARGING CRADLE FOR MEDICAL DEVICE**

D650,783 S * 12/2011 Ausfeld et al. D14/434
D687,773 S * 8/2013 Huang et al. D13/108
D693,815 S * 11/2013 Son D14/434

(71) Applicant: **DexCom, Inc.**, San Diego, CA (US)

* cited by examiner

(72) Inventors: **Peter On**, Encinitas, CA (US); **Bryan Calo**, San Diego, CA (US); **Chris Ross**, Cardiff by the Sea, CA (US); **Eli Reihman**, San Diego, CA (US); **Katherine Yerre Grubstein**, San Diego, CA (US)

Primary Examiner — Rosemary K Tarcza

(74) *Attorney, Agent, or Firm* — Knobbe, Martens, Olson & Bear, LLP.

(73) Assignee: **DexCom, Inc.**, San Diego, CA (US)

(57) **CLAIM**

The ornamental design for a charging cradle for medical device, as shown and described.

(**) Term: **14 Years**

DESCRIPTION

(21) Appl. No.: **29/458,342**

FIG. 1 is a front perspective view of a preferred embodiment of the charging cradle for medical device according to the present design;

(22) Filed: **Jun. 18, 2013**

FIG. 2 is a front perspective view of the charging cradle for medical device of FIG. 1, and further including a medical device docked therewith and a power cable connected thereto, the medical device and the power cable being shown for illustrative purposes only and forming no part of the claimed invention;

Related U.S. Application Data

(63) Continuation-in-part of application No. 13/842,679, filed on Mar. 15, 2013.

FIG. 3 is a front elevational view of the charging cradle for medical device of FIG. 1;

(51) **LOC (10) Cl.** **13-02**

(52) **U.S. Cl.**
USPC **D13/108**

FIG. 4 is a rear elevational view of the charging cradle for medical device of FIG. 1;

(58) **Field of Classification Search**
USPC D13/107–110, 118–119, 184, 199;
D14/251, 253, 432, 434; 320/107–115
See application file for complete search history.

FIG. 5 is a right-side elevational view of the charging cradle for medical device of FIG. 1;

FIG. 6 is a left-side elevational view of the charging cradle for medical device of FIG. 1;

FIG. 7 is a top plan view of the charging cradle for medical device of FIG. 1; and,

FIG. 8 is a bottom plan view of the charging cradle for medical device of FIG. 1.

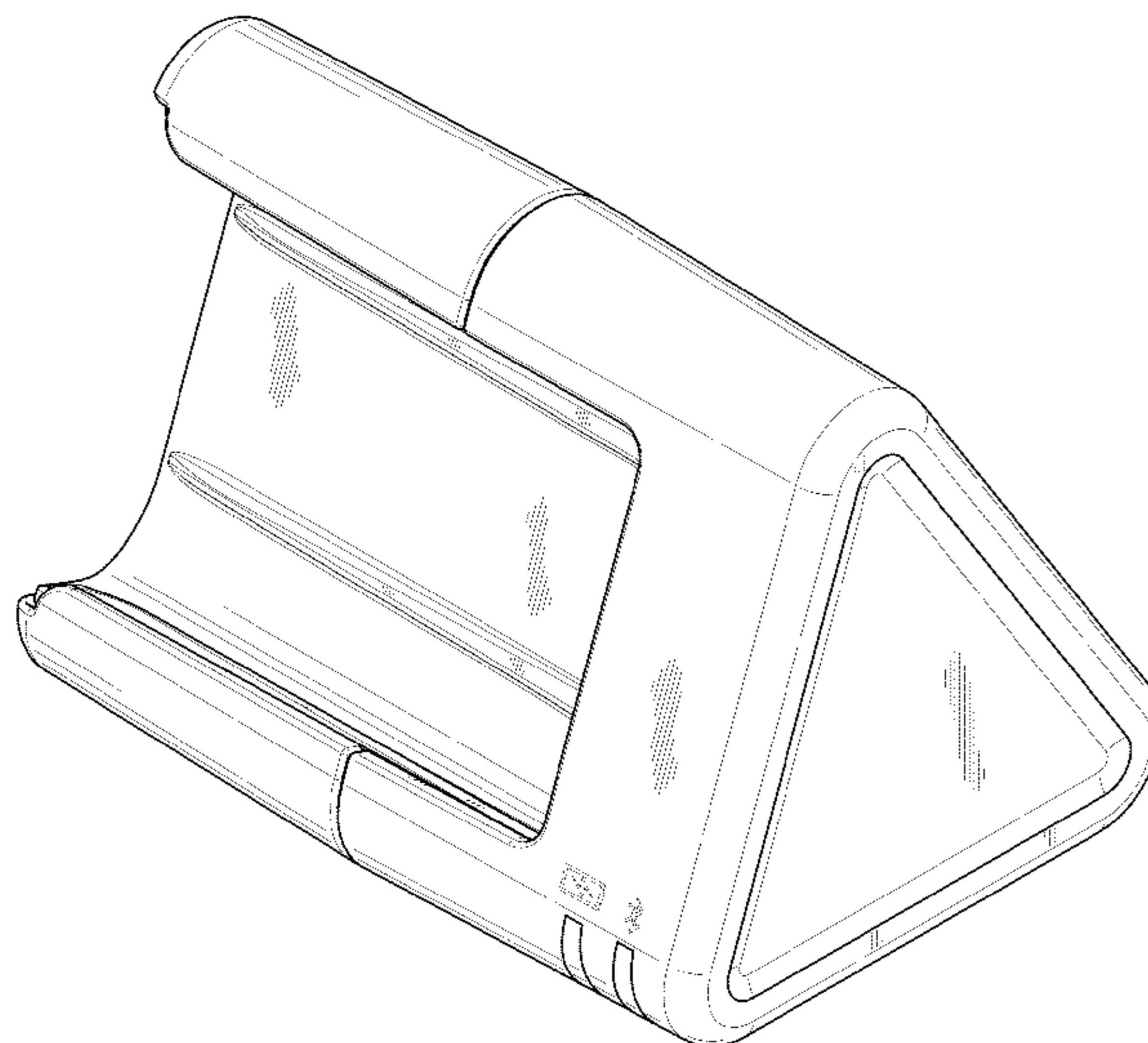
The phantom lines shown in the drawings are included for the purpose of illustrating environmental structure and form no part of the claimed design.

(56) **References Cited**

U.S. PATENT DOCUMENTS

D313,221 S * 12/1990 Skully et al. D13/108
5,525,888 A * 6/1996 Toya 320/111
D420,323 S * 2/2000 Nakamura D13/107
D545,319 S * 6/2007 Griffin D14/434
D608,732 S * 1/2010 Hillard D13/107

1 Claim, 8 Drawing Sheets



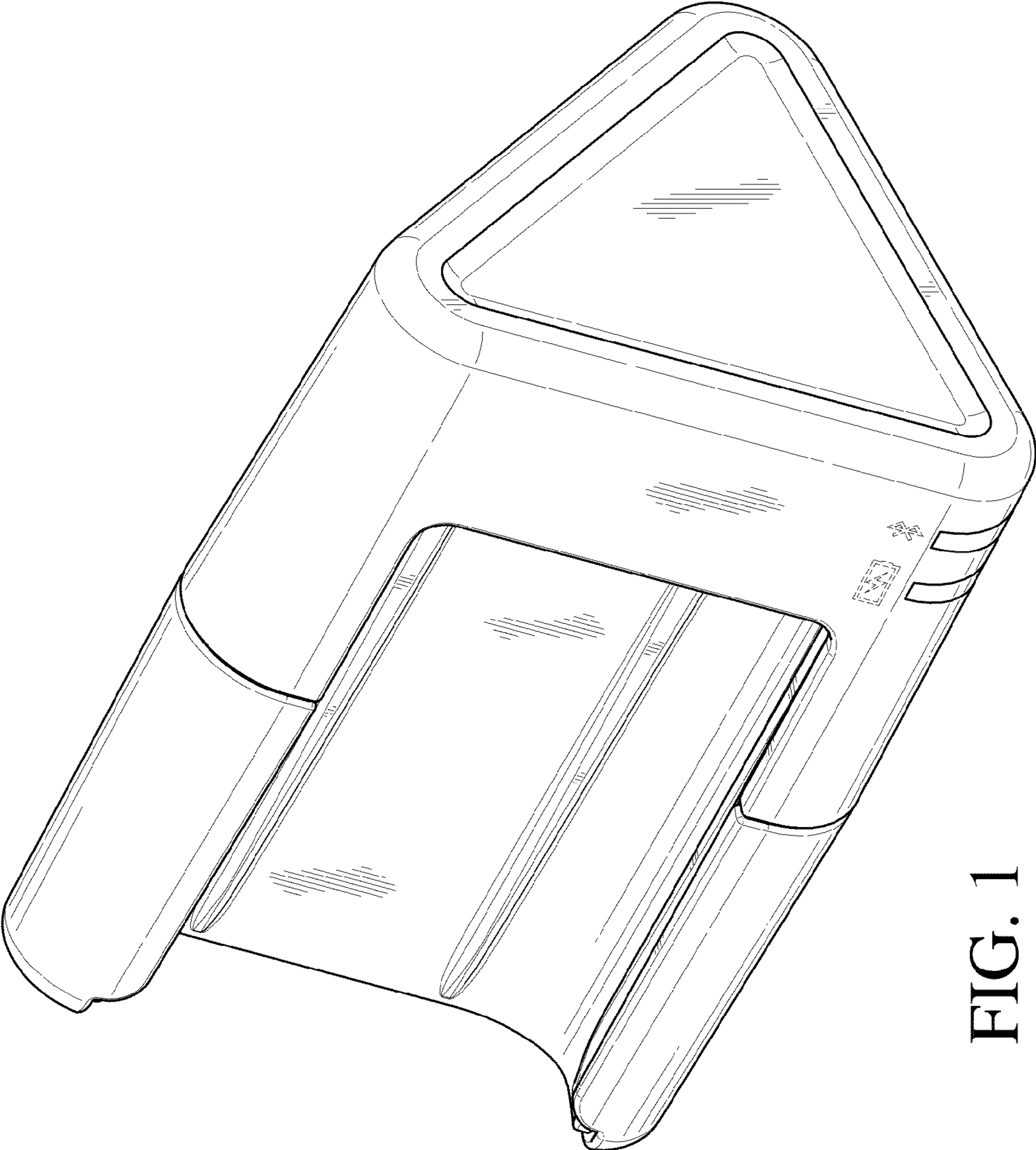


FIG. 1

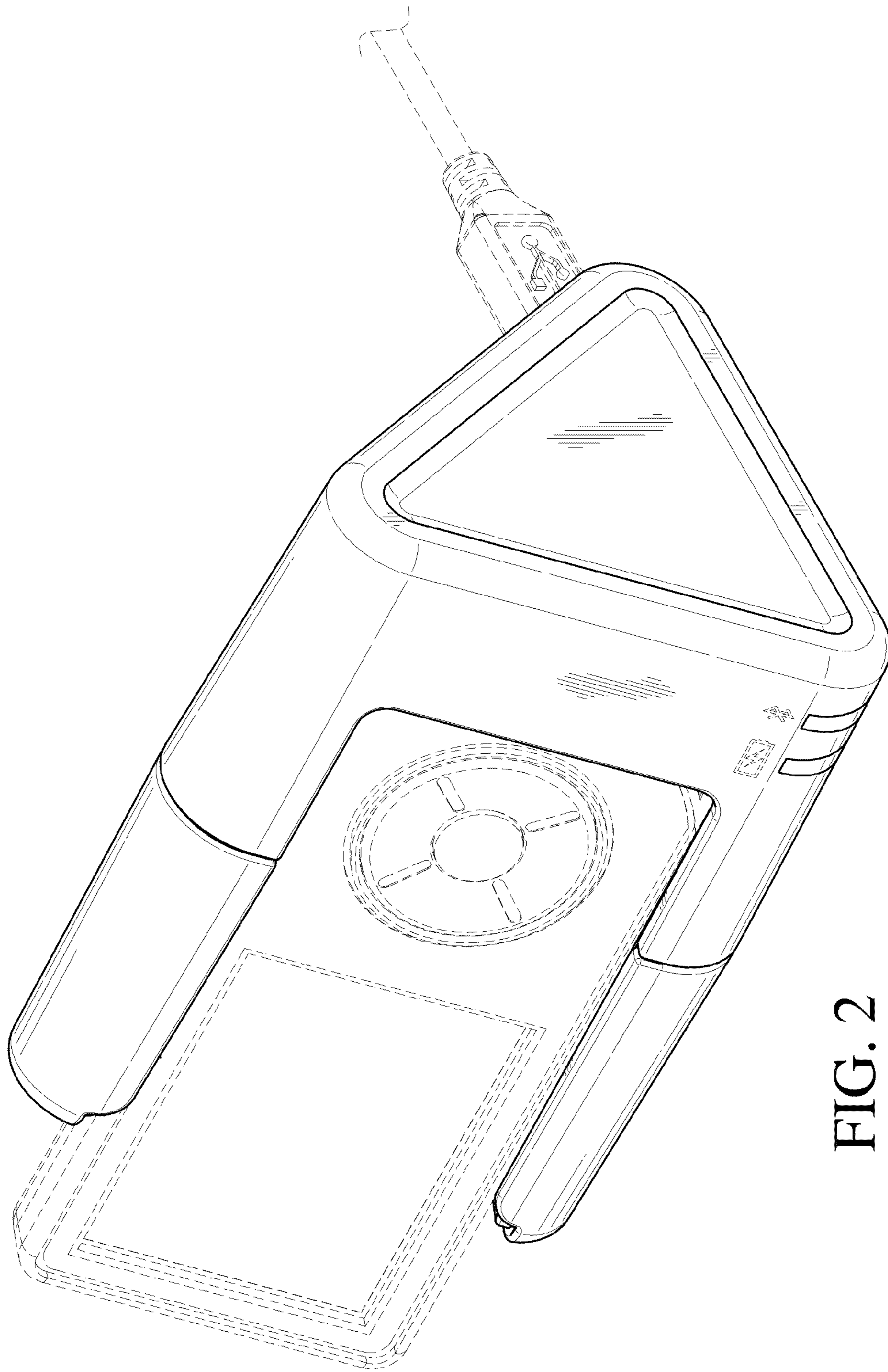


FIG. 2

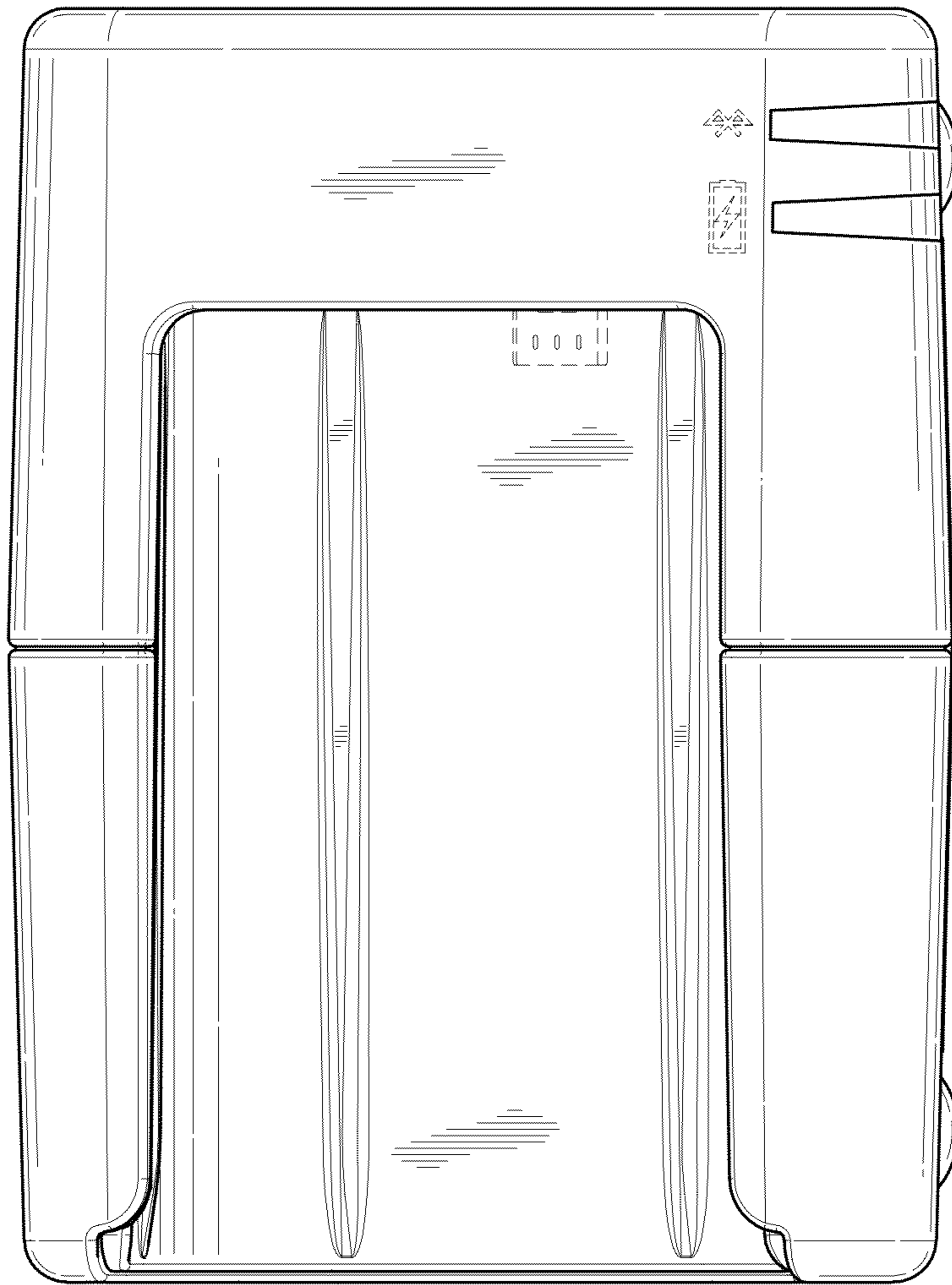


FIG. 3

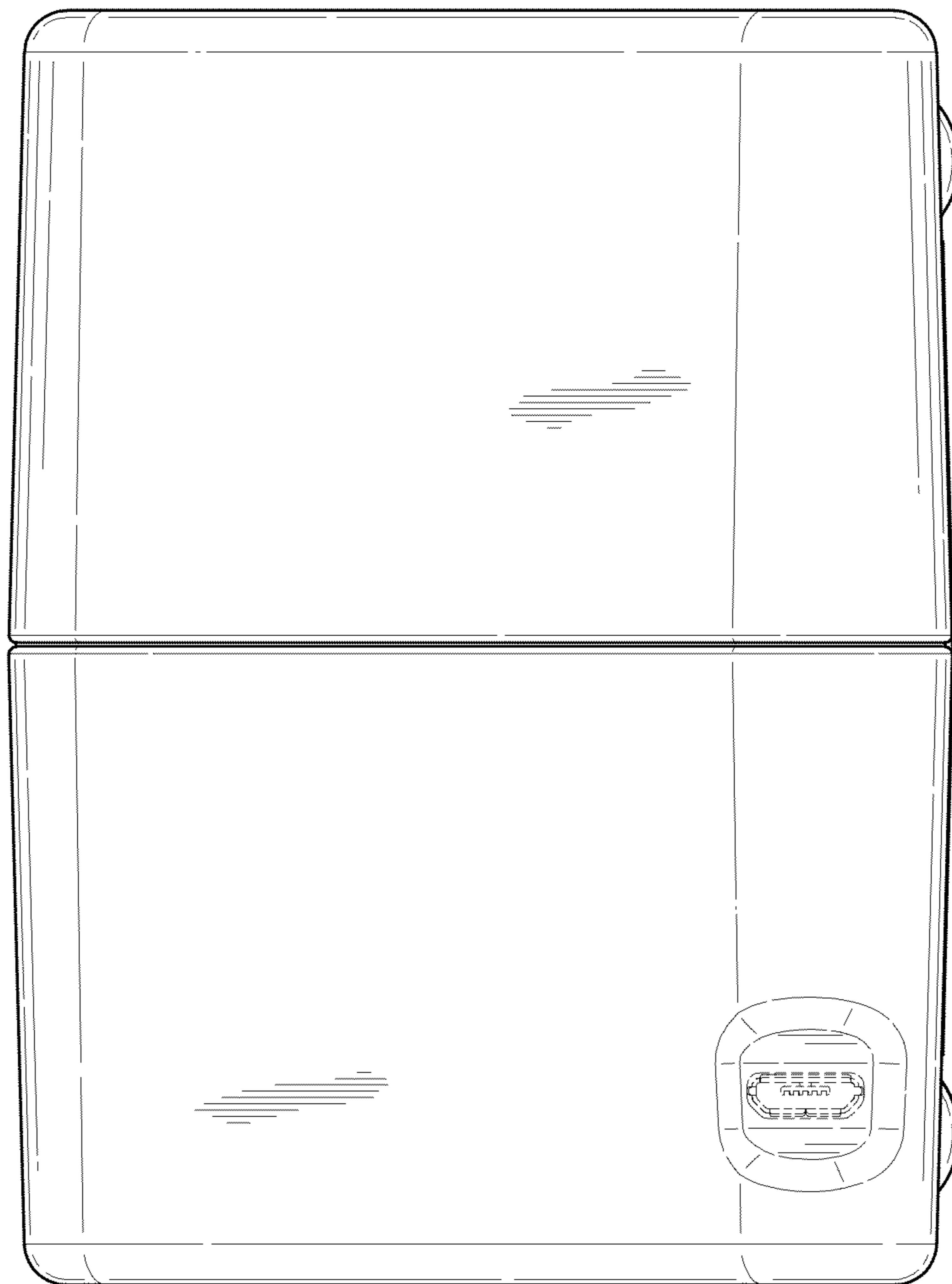


FIG. 4

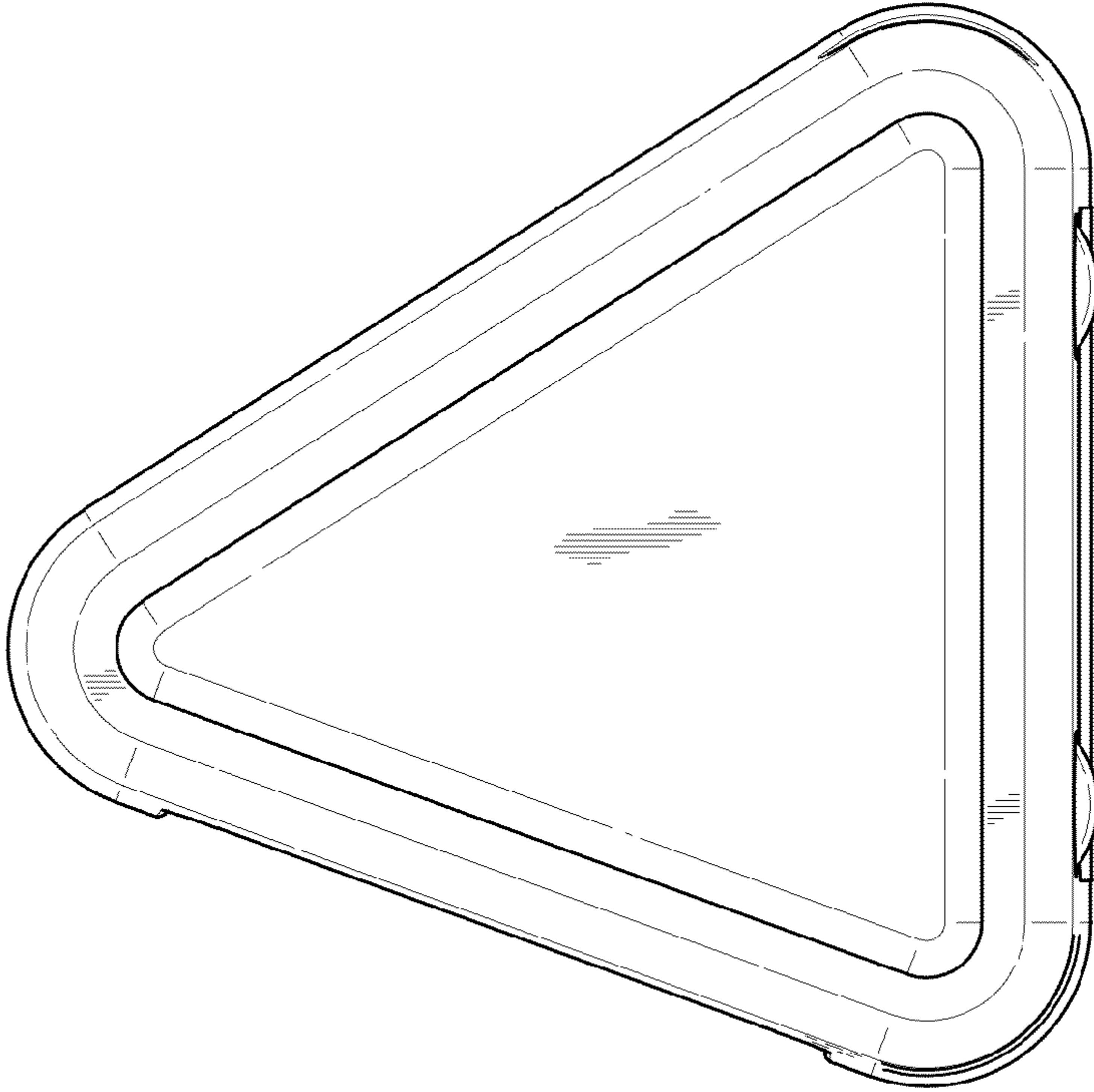


FIG. 5

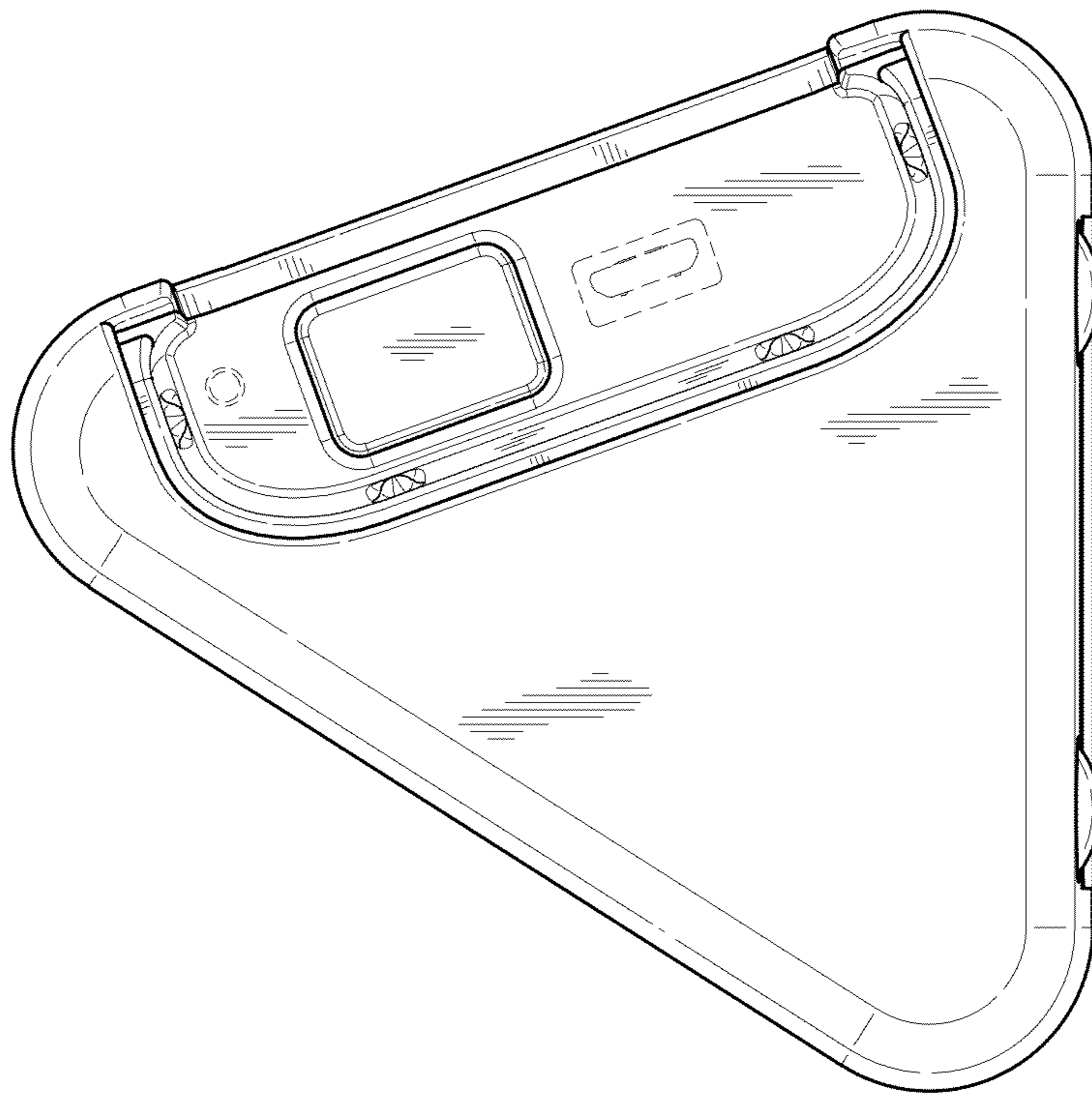


FIG. 6



FIG. 7

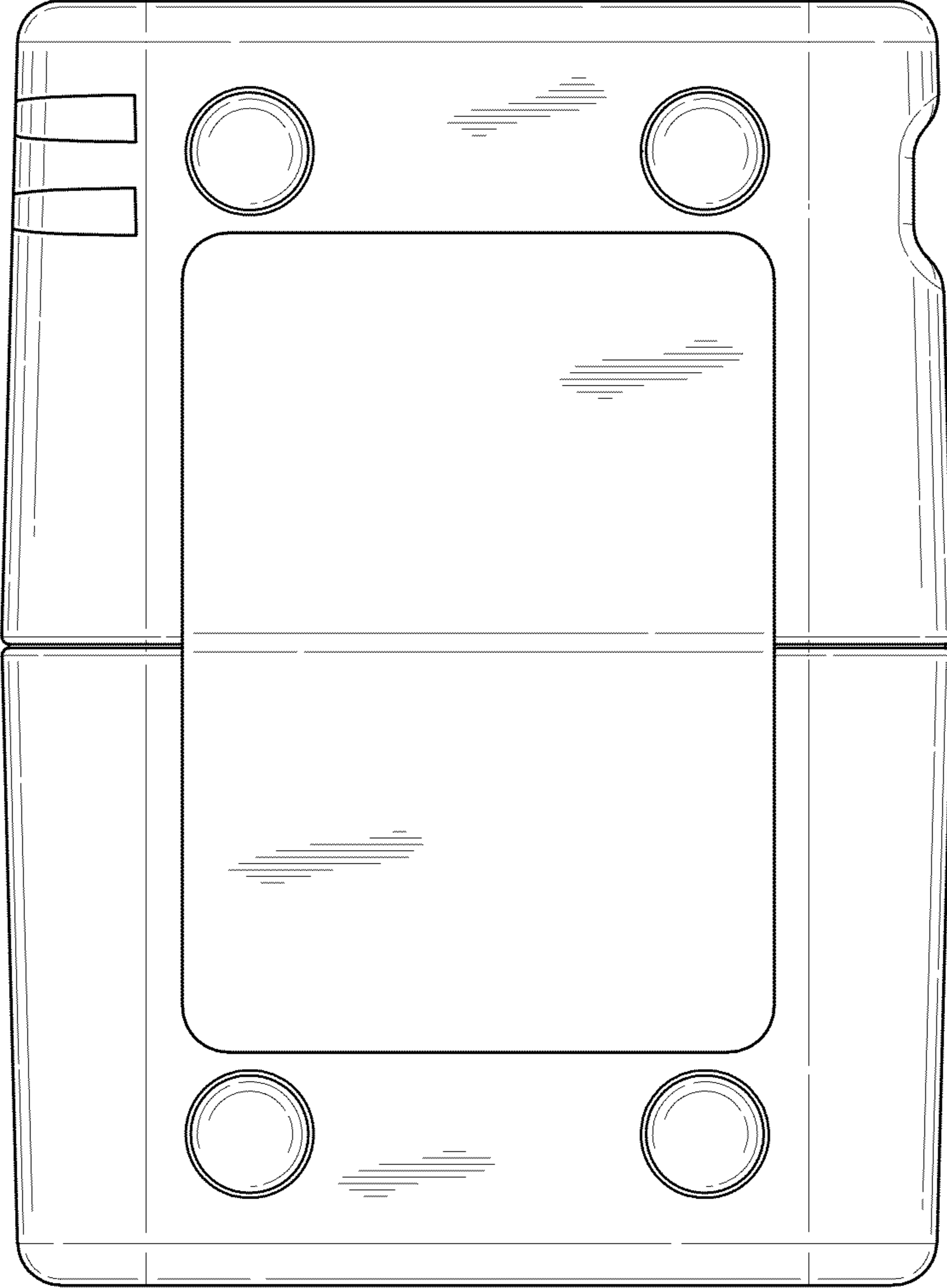


FIG. 8