



US00D704631S

(12) **United States Design Patent**
Levy

(10) **Patent No.:** **US D704,631 S**
(45) **Date of Patent:** **** May 13, 2014**

(54) **RETRACTABLE PHONE CHARGER**

(71) Applicant: **Navajo Manufacturing Company,**
Denver, CO (US)

(72) Inventor: **Gordon Levy,** Golden, CO (US)

(73) Assignee: **Navajo Manufacturing Company, Inc.,**
Denver, CO (US)

(**) Term: **14 Years**

(21) Appl. No.: **29/458,265**

(22) Filed: **Jun. 18, 2013**

(51) **LOC (10) Cl.** **13-02**

(52) **U.S. Cl.**
USPC **D13/108; D14/144**

(58) **Field of Classification Search**
USPC D13/107-110, 118-119, 138.1-138.2,
D13/144, 184, 199; D14/155; 320/107-115;
363/146; 439/300, 638, 668-669, 675,
439/825

See application file for complete search history.

(56) **References Cited**

U.S. PATENT DOCUMENTS

4,701,741	A	10/1987	Bert	
D330,885	S	11/1992	Tattari	
D369,811	S *	5/1996	Chen	D14/248
D398,287	S	9/1998	Luminosu	
5,847,545	A *	12/1998	Chen et al.	320/138
5,901,056	A *	5/1999	Hung	363/142
D456,349	S *	4/2002	Chuang	D13/107
D478,546	S *	8/2003	Andre et al.	D13/110
6,641,405	B2	11/2003	Chou	
D509,792	S *	9/2005	Hsu	D13/110
D510,318	S *	10/2005	Hsu	D13/110
D526,962	S	8/2006	Krieger et al.	
D546,287	S *	7/2007	Tanishita	D13/144
D551,170	S	9/2007	Hussaini et al.	

D559,776	S	1/2008	Kim	
D562,231	S *	2/2008	Osiecki et al.	D13/107
D563,873	S	3/2008	Chen et al.	
D574,833	S	8/2008	Hussaini	
D585,825	S *	2/2009	Ji	D13/108
D616,363	S *	5/2010	Weng	D13/107
D617,278	S	6/2010	Tang	
D622,218	S	8/2010	Tseng et al.	
D627,720	S *	11/2010	DuMelle et al.	D13/110
D628,152	S *	11/2010	Fujii et al.	D13/108
D636,725	S *	4/2011	Levy et al.	D13/108
D637,557	S	5/2011	Wegener et al.	
D641,695	S	7/2011	Wegener	
D647,476	S *	10/2011	Ciou	D13/110
D666,968	S *	9/2012	Huang	D13/110
D675,988	S	2/2013	Levy et al.	
D685,326	S *	7/2013	Kim et al.	D13/110
D694,185	S *	11/2013	Matsuoka et al.	D13/110

* cited by examiner

Primary Examiner — Rosemary K Tarcza

(74) *Attorney, Agent, or Firm* — Studebaker & Brackett PC

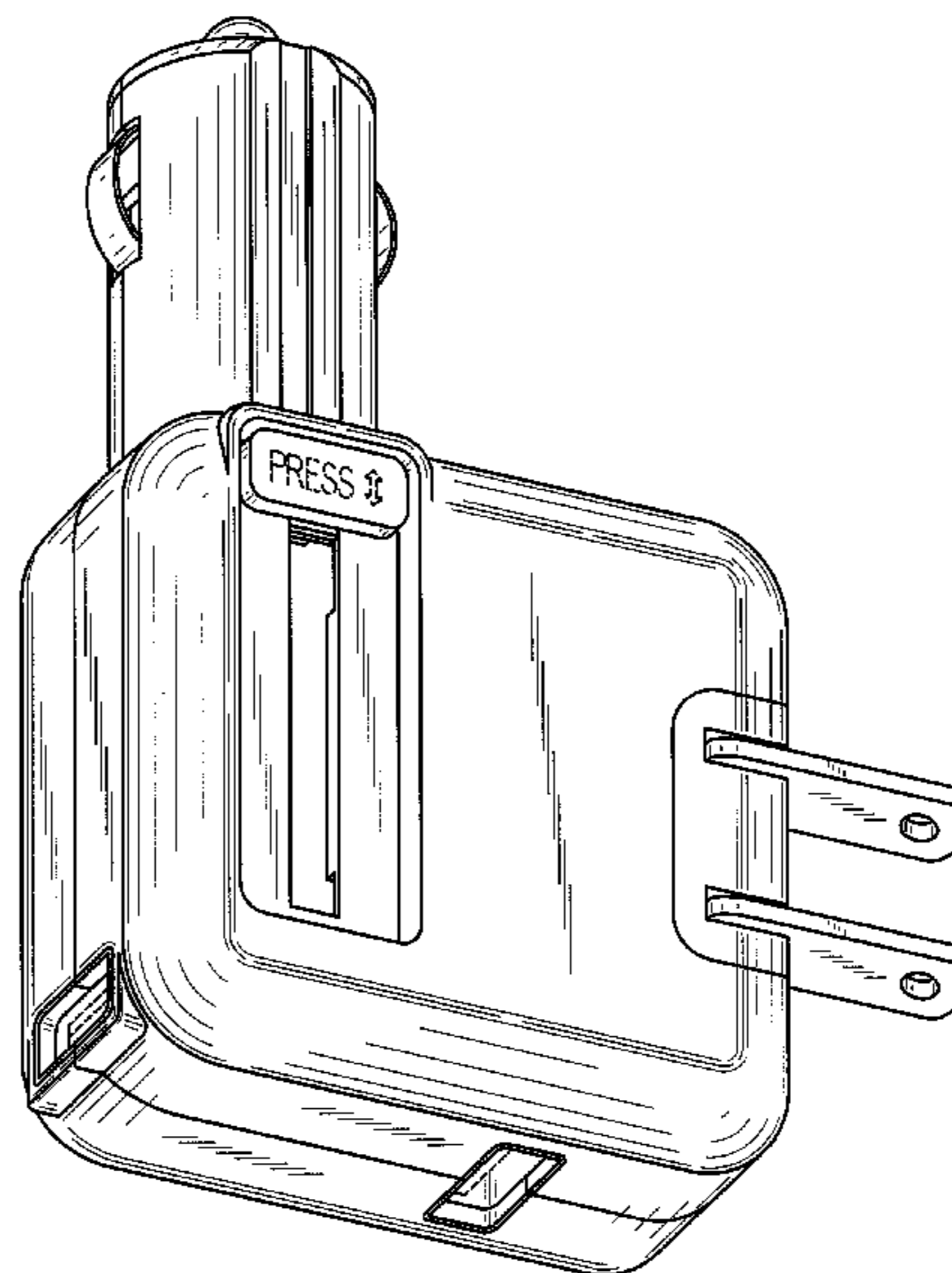
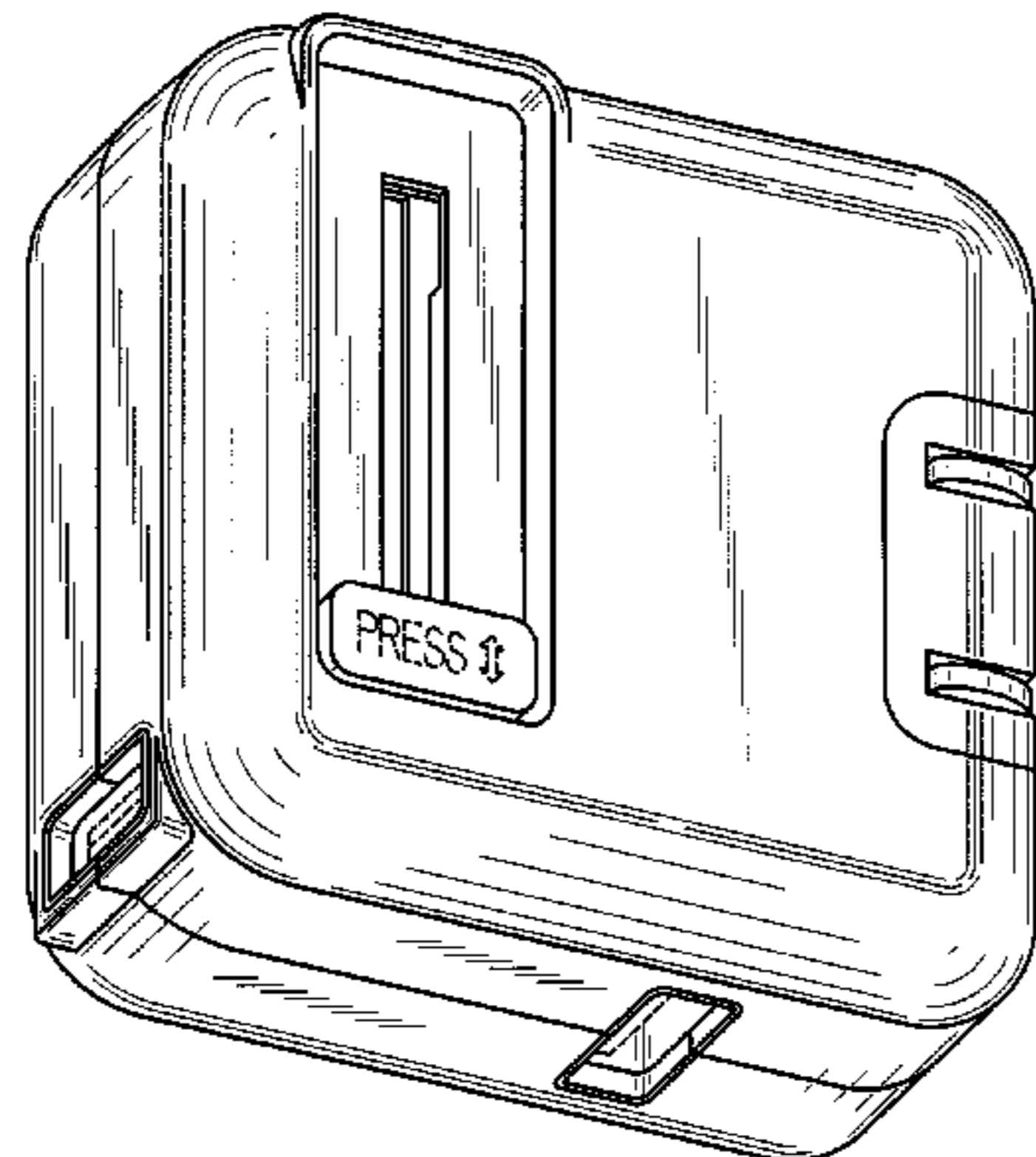
(57) **CLAIM**

The ornamental design for a retractable phone charger, as shown and described.

DESCRIPTION

FIG. 1 is a perspective view showing my new design for a retractable phone charger, FIG. 2 is a right side view thereof, FIG. 3 is a left side view thereof, FIG. 4 is a top view thereof, FIG. 5 is a bottom view thereof, FIG. 6 is a rear view thereof, FIG. 7 is a front view thereof, FIG. 8 is another perspective view thereof; and, FIG. 9 is another perspective view thereof. The portions shown in dotted lines are for illustrative purposes only, forming no part of the claimed design.

1 Claim, 7 Drawing Sheets



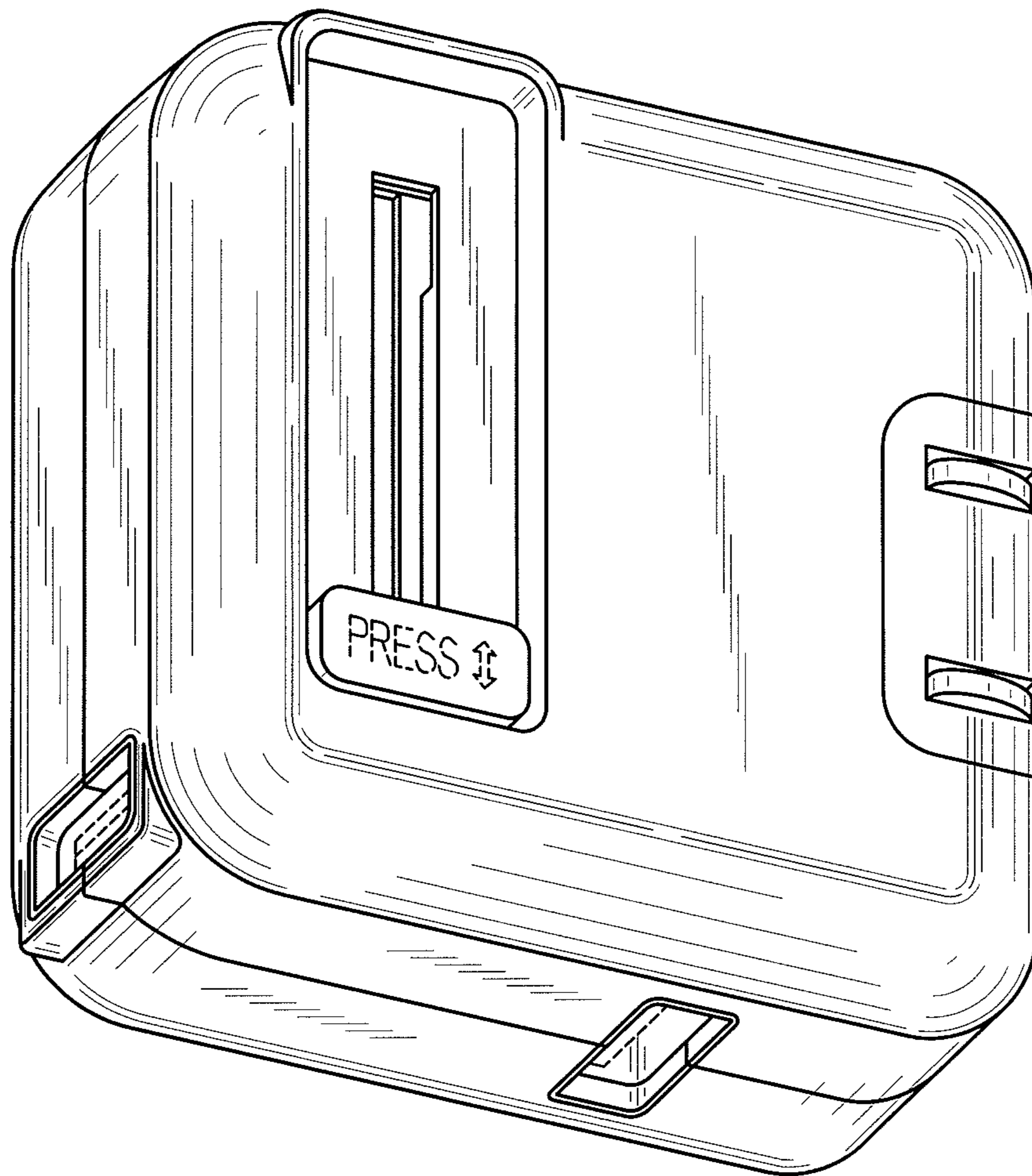


FIG. 1

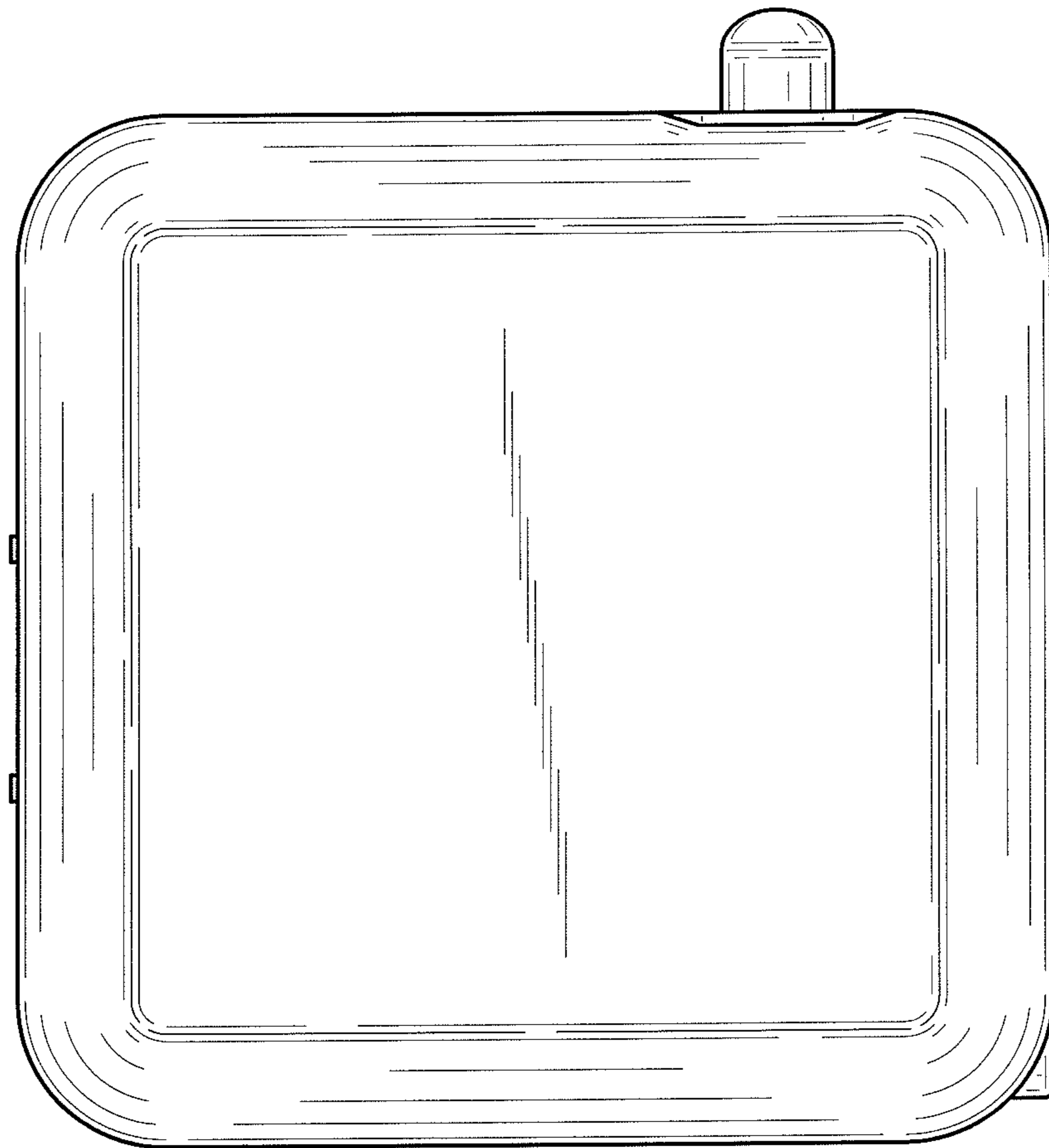


FIG. 2

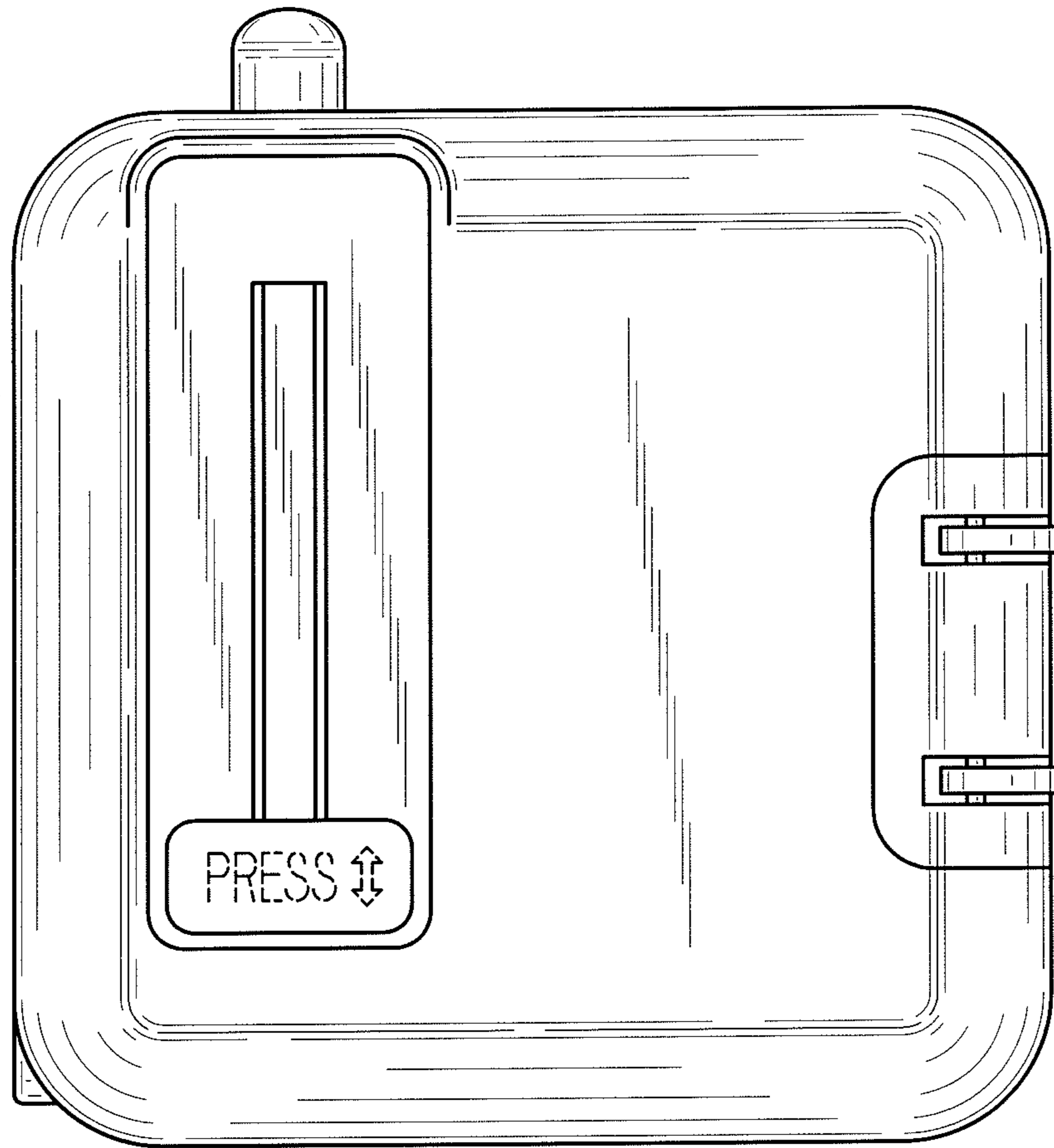


FIG. 3

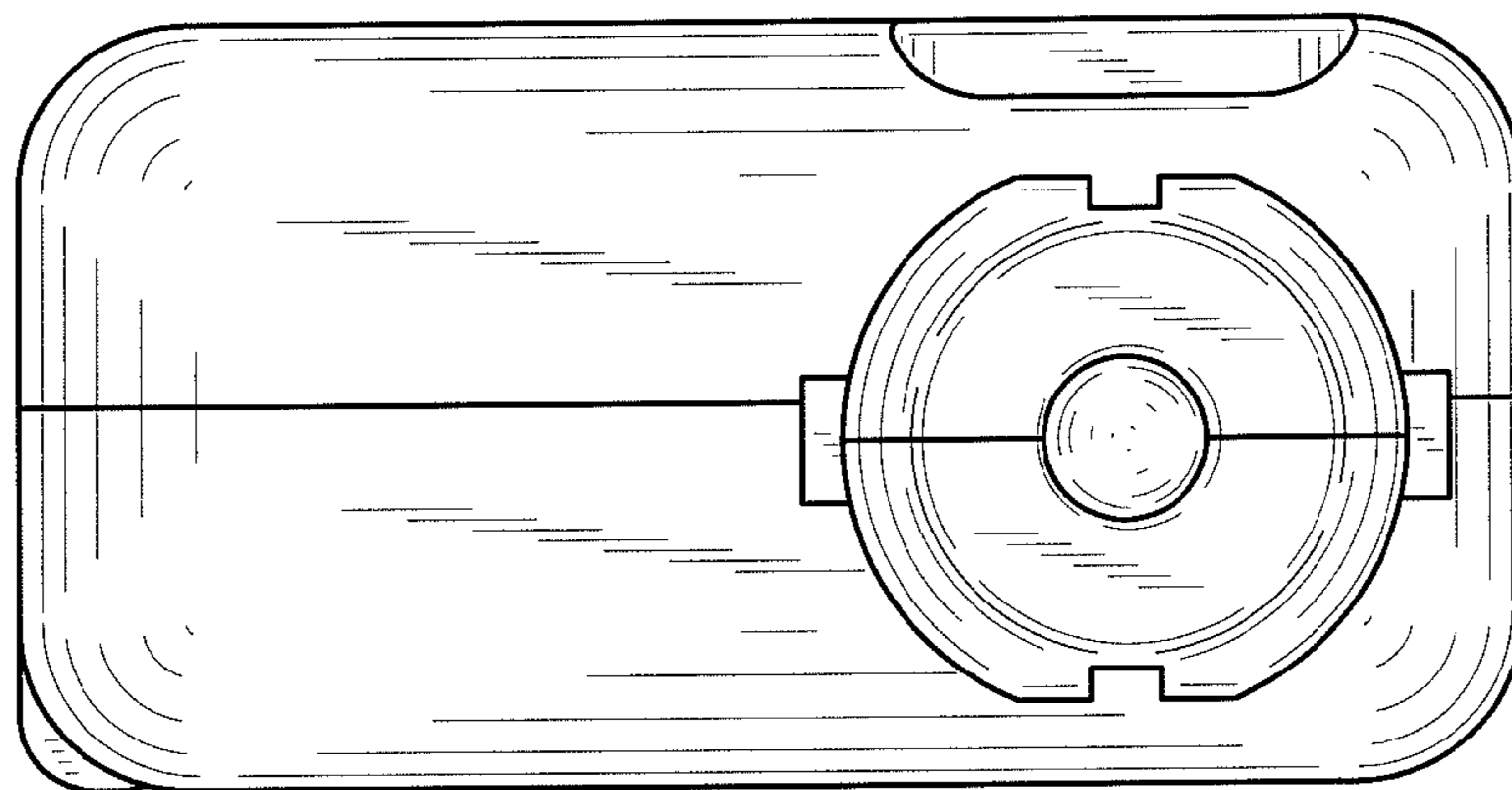


FIG. 4

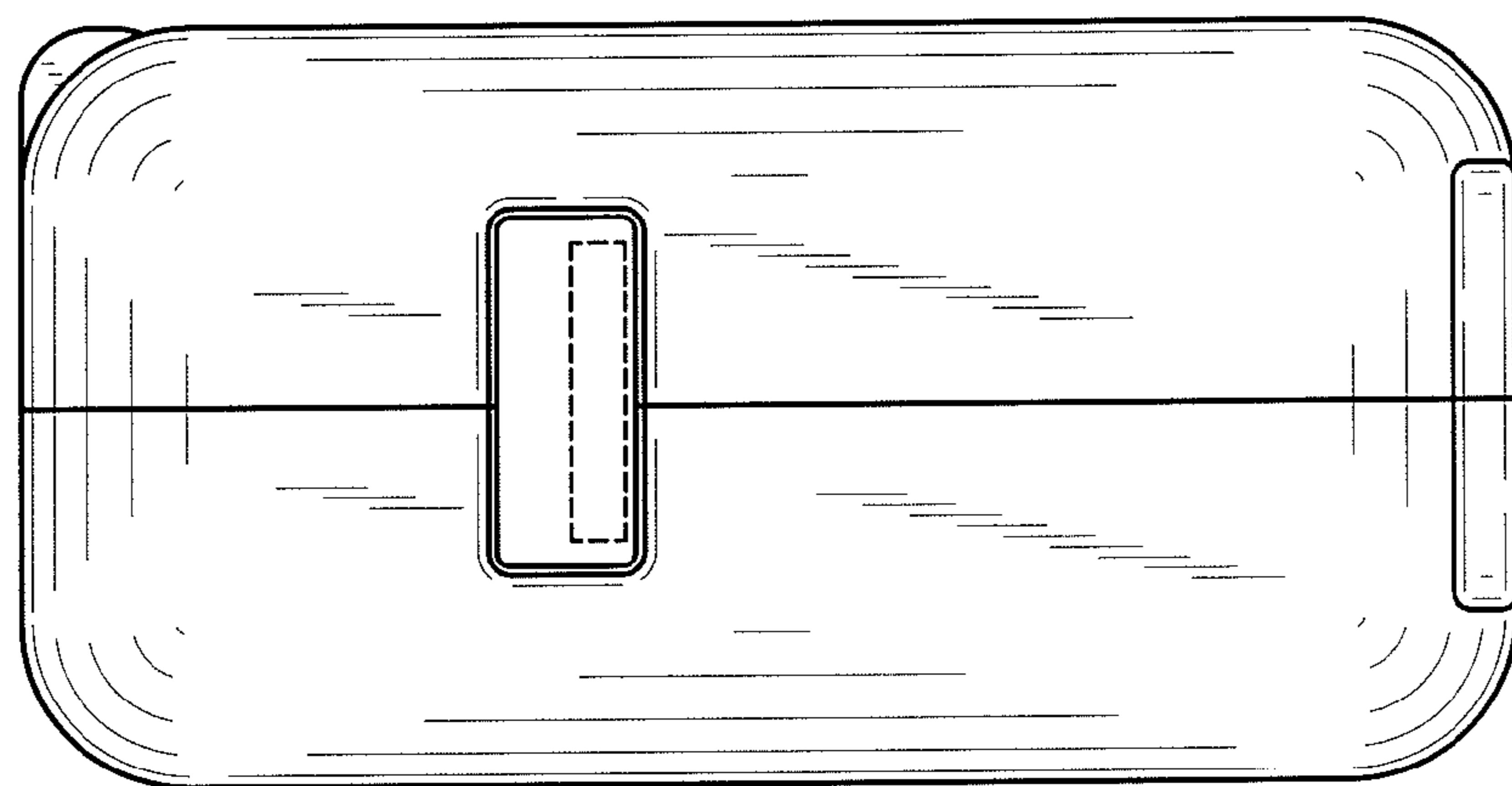


FIG. 5

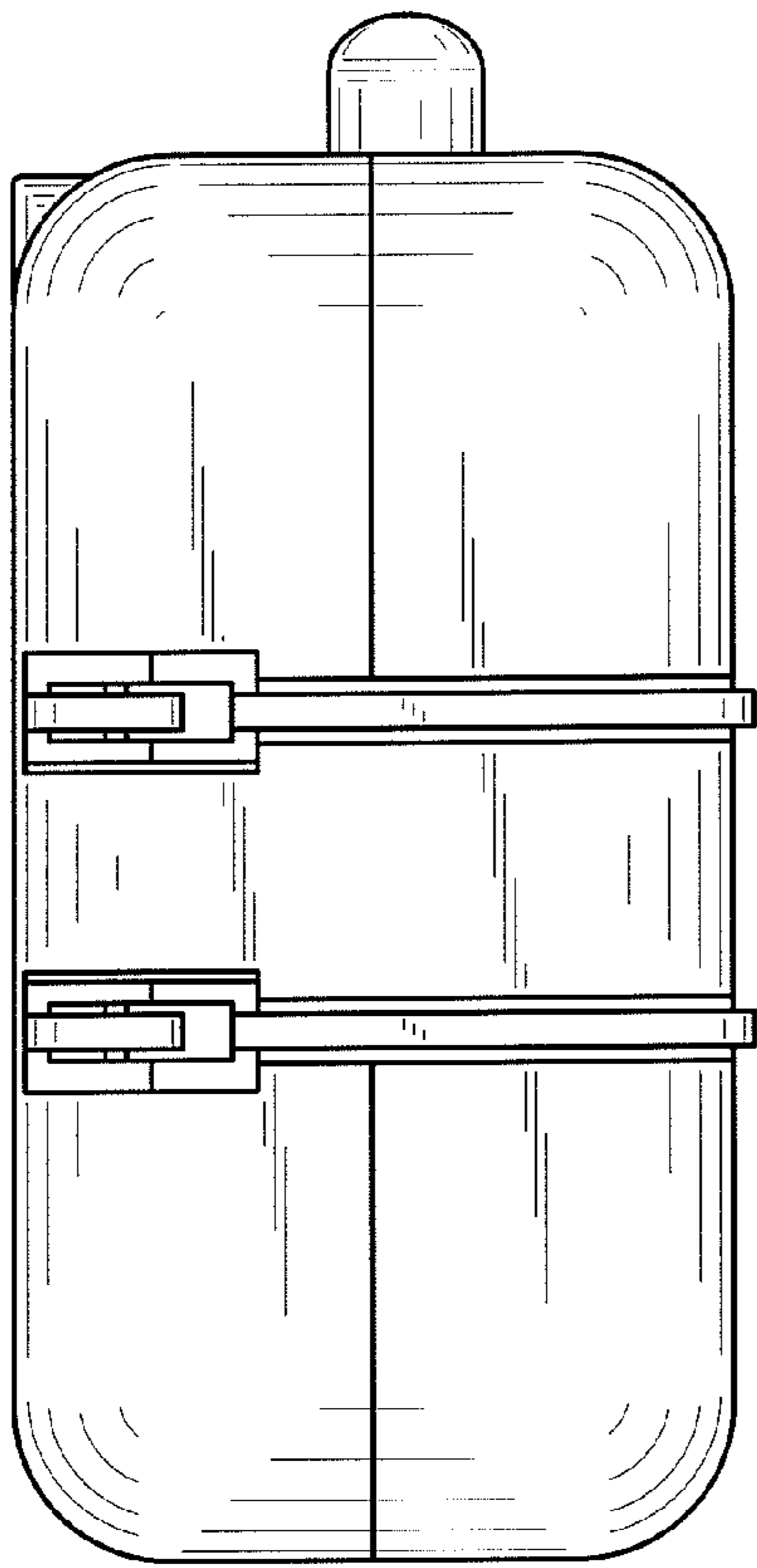


FIG. 6

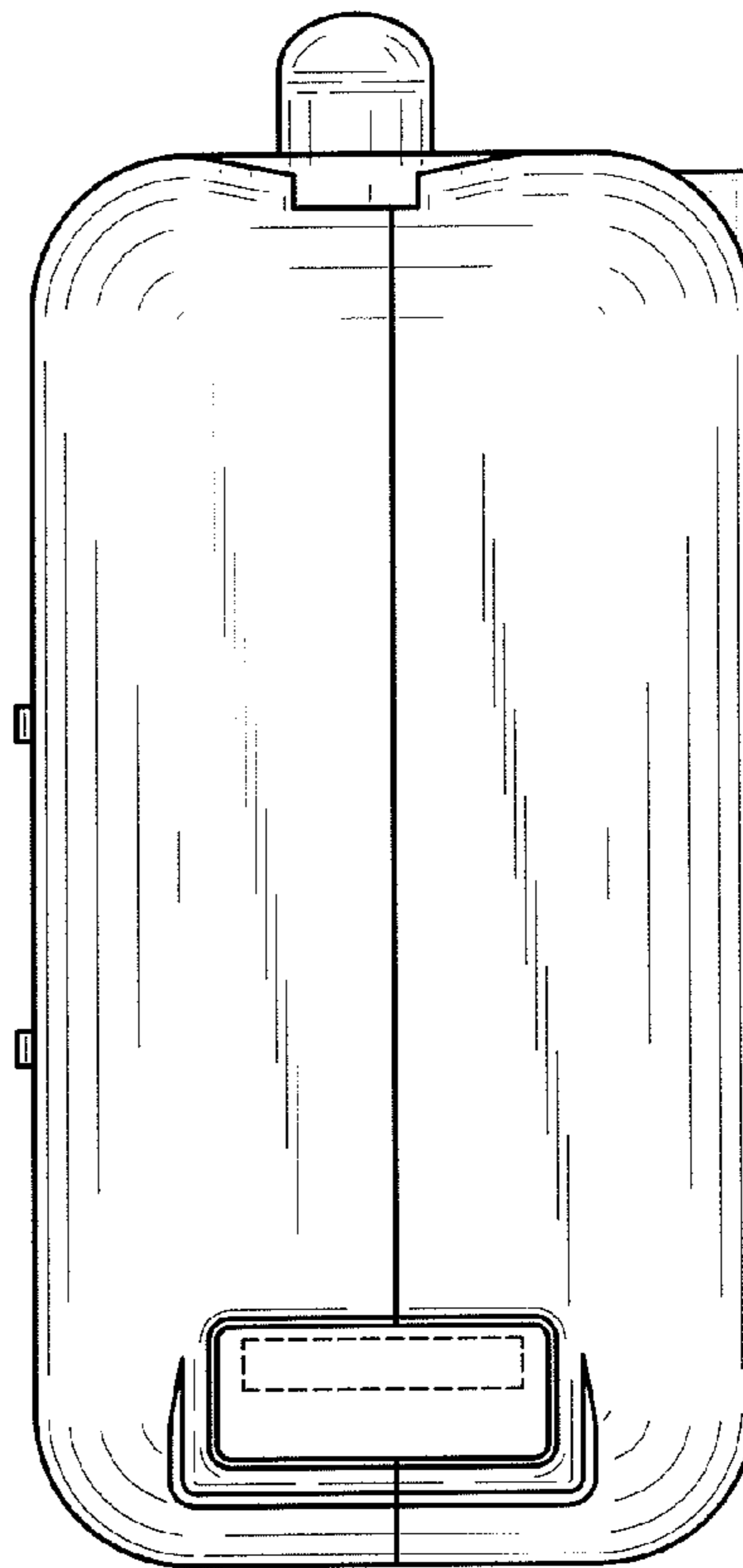


FIG. 7

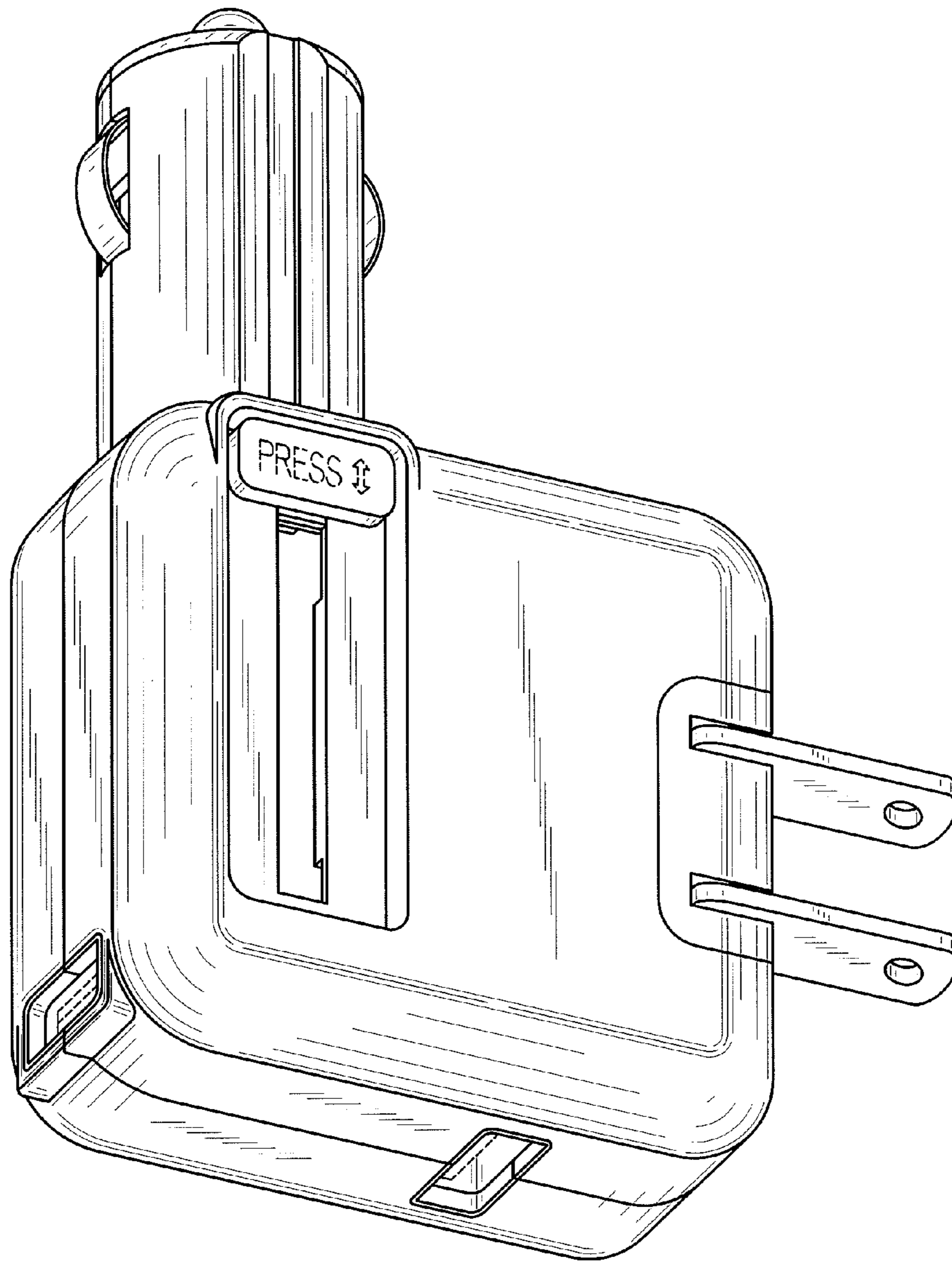


FIG. 8

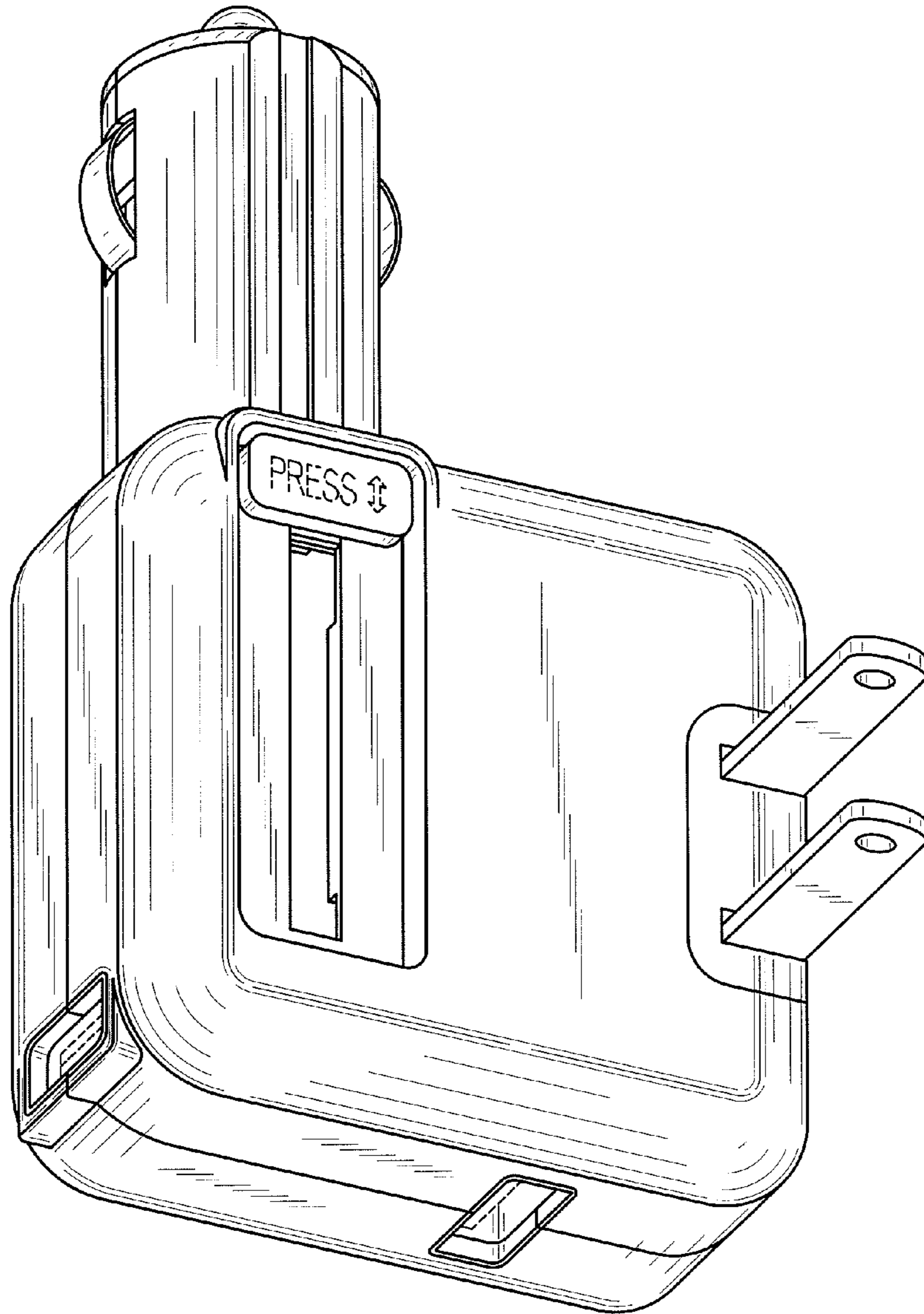


FIG. 9