



US00D704630S

(12) **United States Design Patent**
Liu

(10) **Patent No.:** **US D704,630 S**
(45) **Date of Patent:** **** May 13, 2014**

(54) **CHARGER FOR ELECTRONIC CIGARETTE
DEVICE**

(71) Applicant: **Qiuming Liu**, Shenzhen (CN)

(72) Inventor: **Qiuming Liu**, Shenzhen (CN)

(**) Term: **14 Years**

(21) Appl. No.: **29/452,634**

(22) Filed: **Apr. 18, 2013**

(30) **Foreign Application Priority Data**

Apr. 7, 2013 (CN) 2013 3 0101139

(51) **LOC (10) Cl.** **13-02**

(52) **U.S. Cl.**
USPC **D13/108**

(58) **Field of Classification Search**
USPC D13/107–110, 118–119, 138.1–138.2,
D13/184, 199; D14/217, 251, 253, 432,
D14/434; 320/107–115
See application file for complete search history.

(56) **References Cited**

U.S. PATENT DOCUMENTS

- D587,192 S * 2/2009 McGinley et al. D13/110
- D611,415 S * 3/2010 Andre et al. D13/138.1
- D623,136 S * 9/2010 Andre et al. D13/138.1
- D638,357 S * 5/2011 Sasada et al. D13/110
- D653,614 S * 2/2012 Au D13/108
- D655,244 S * 3/2012 Au D13/108
- D663,687 S * 7/2012 Liu D13/108

- D669,434 S * 10/2012 Kim et al. D13/110
- D673,112 S * 12/2012 Zhang D13/108
- D675,158 S * 1/2013 Smith et al. D13/110
- D680,070 S * 4/2013 Zaslavsky D13/110
- D680,492 S * 4/2013 Smith et al. D13/110
- D682,201 S * 5/2013 Weaver et al. D13/108
- D683,314 S * 5/2013 Andre et al. D13/138.1
- D689,819 S * 9/2013 Olsson et al. D13/110
- D693,299 S * 11/2013 Zaslavsky et al. D13/110

* cited by examiner

Primary Examiner — Rosemary K Tarca

(74) *Attorney, Agent, or Firm* — Cheng-Ju Chiang

(57) **CLAIM**

The ornamental design for a “charger for electronic cigarette device,” as shown and described.

DESCRIPTION

FIG. 1 is a front, bottom and left side perspective view of a charger for electronic cigarette device showing my new design;

FIG. 2 is a front, top and right side perspective view of FIG. 1;

FIG. 3 is a front elevational view of FIG. 1;

FIG. 4 is a rear elevational view of FIG. 1;

FIG. 5 is a left side elevational view of FIG. 1;

FIG. 6 is a right side elevational view of FIG. 1;

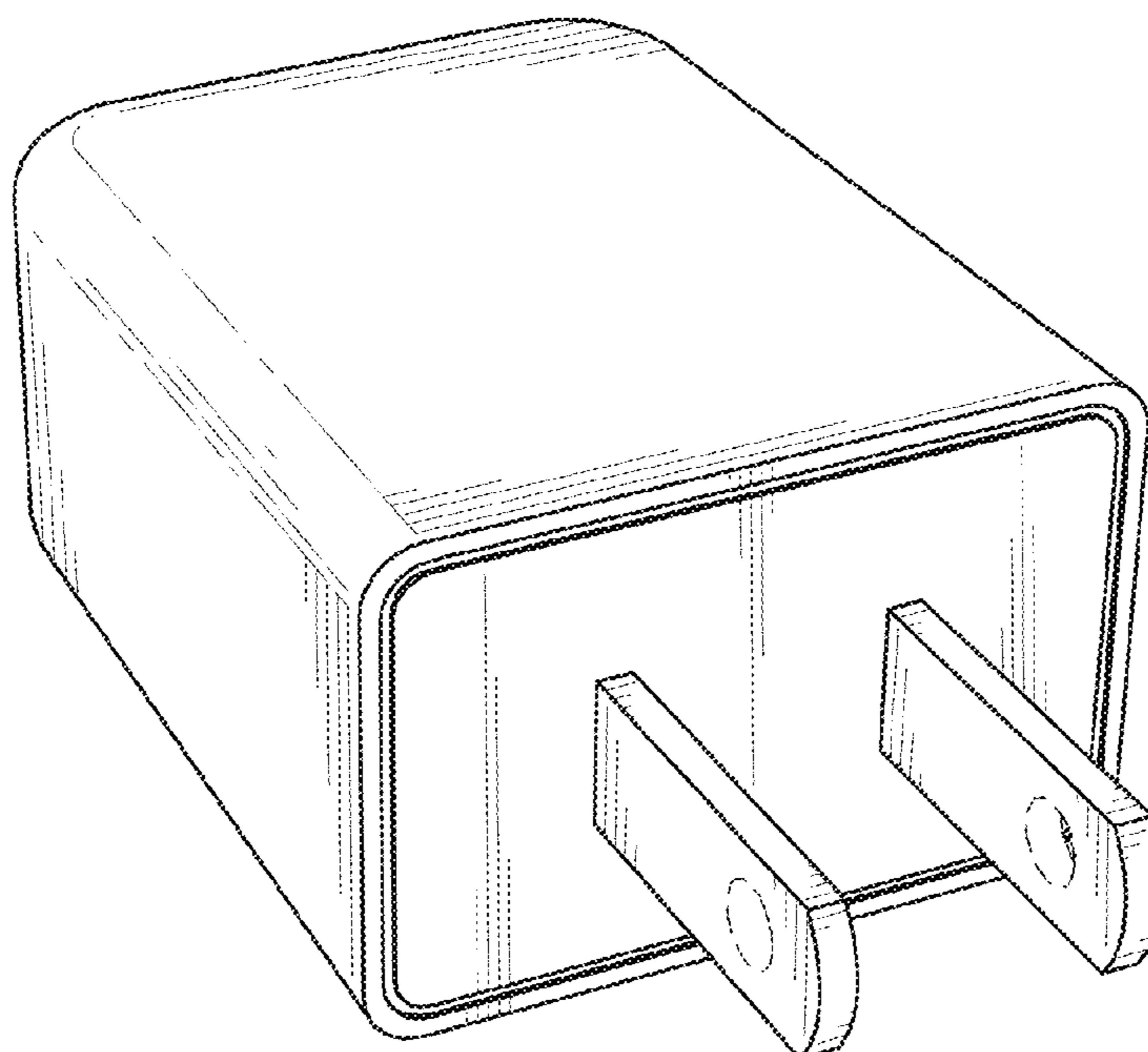
FIG. 7 is a top plan view of FIG. 1;

FIG. 8 is a bottom plan view of FIG. 1; and,

FIG. 9 is a front, top and right side perspective view of FIG. 1 with a USB plug inserted therein.

The broken lines in drawings are for illustrative purposes only and form no part of the claimed design.

1 Claim, 9 Drawing Sheets



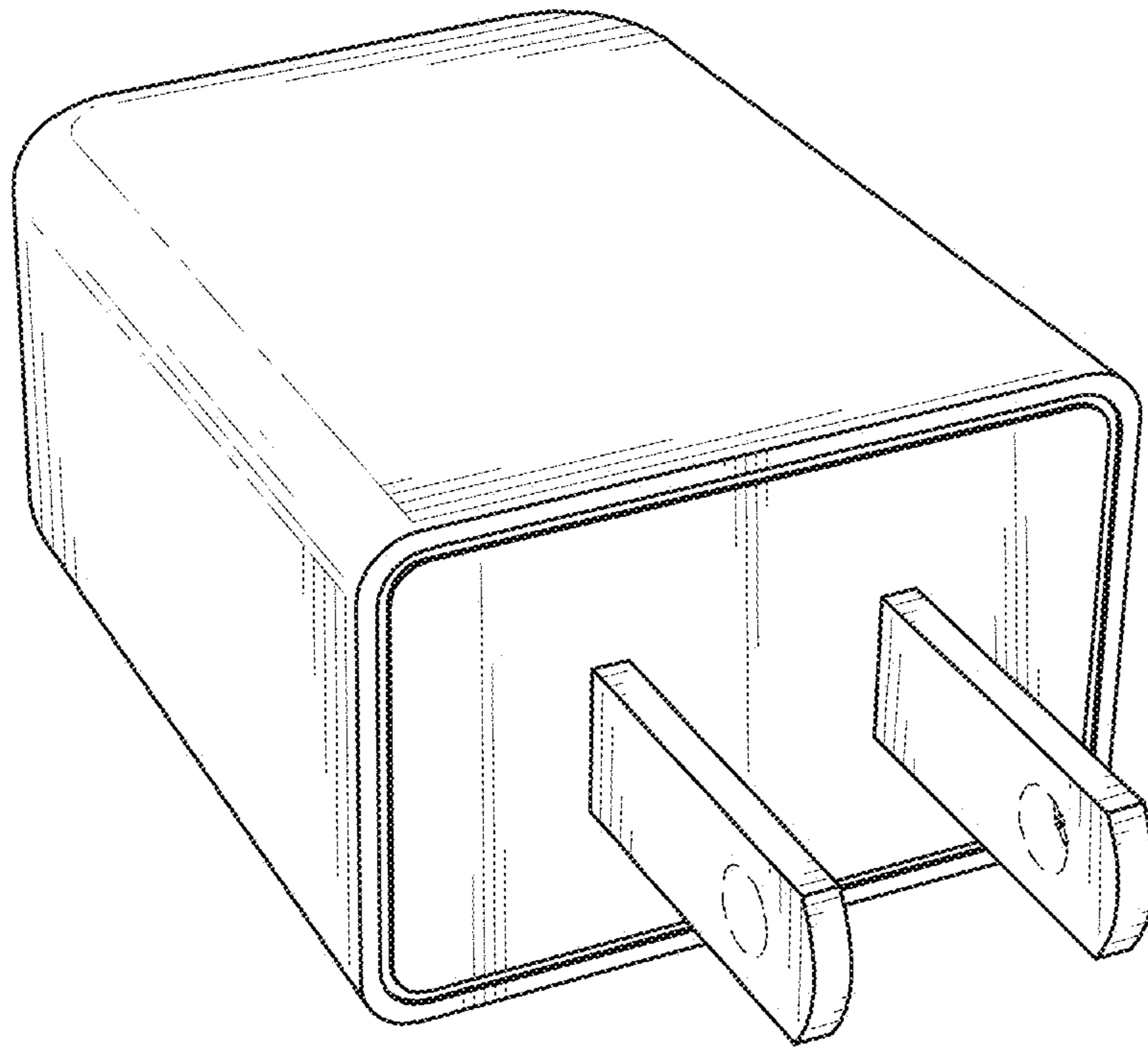


FIG. 1

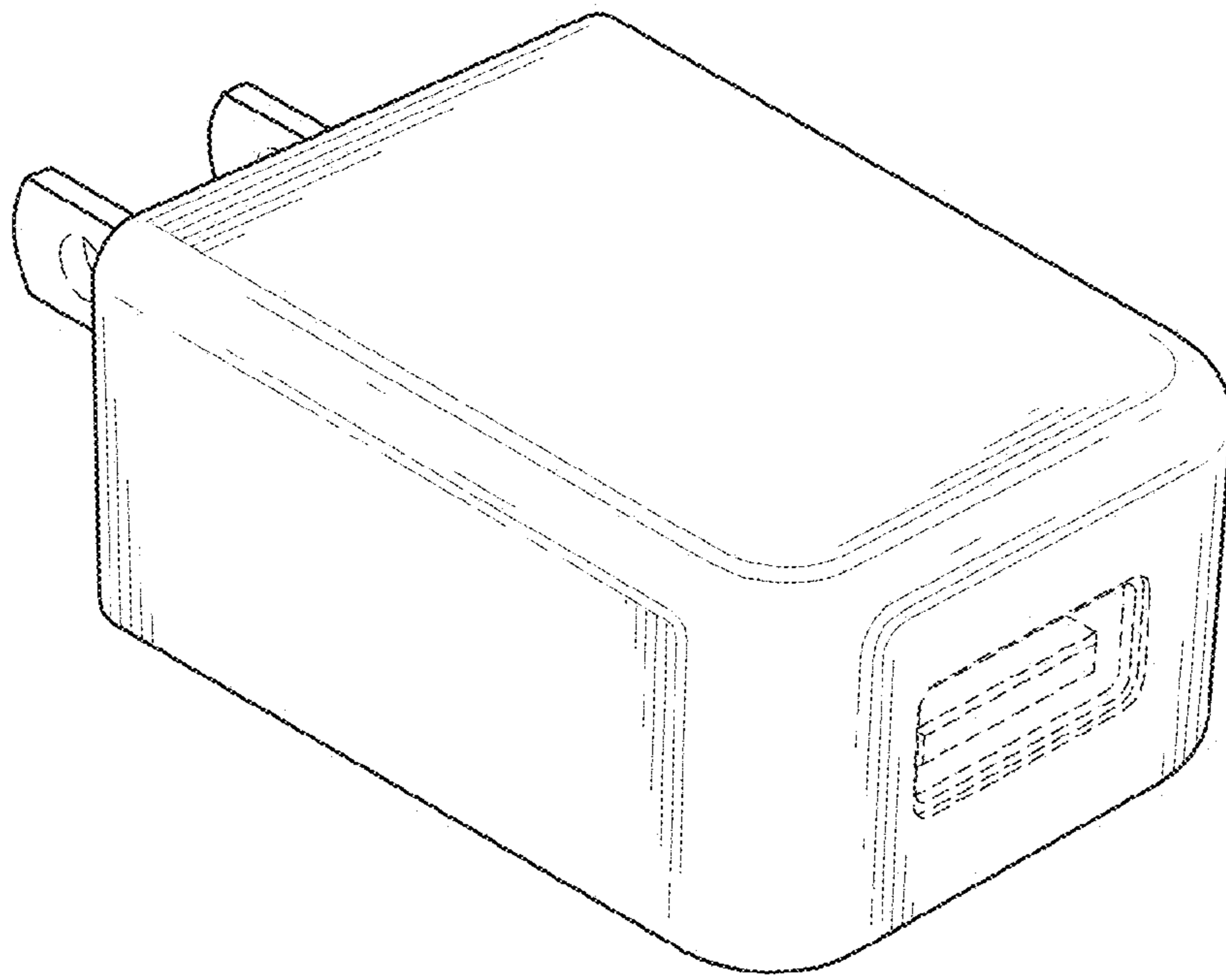


FIG. 2

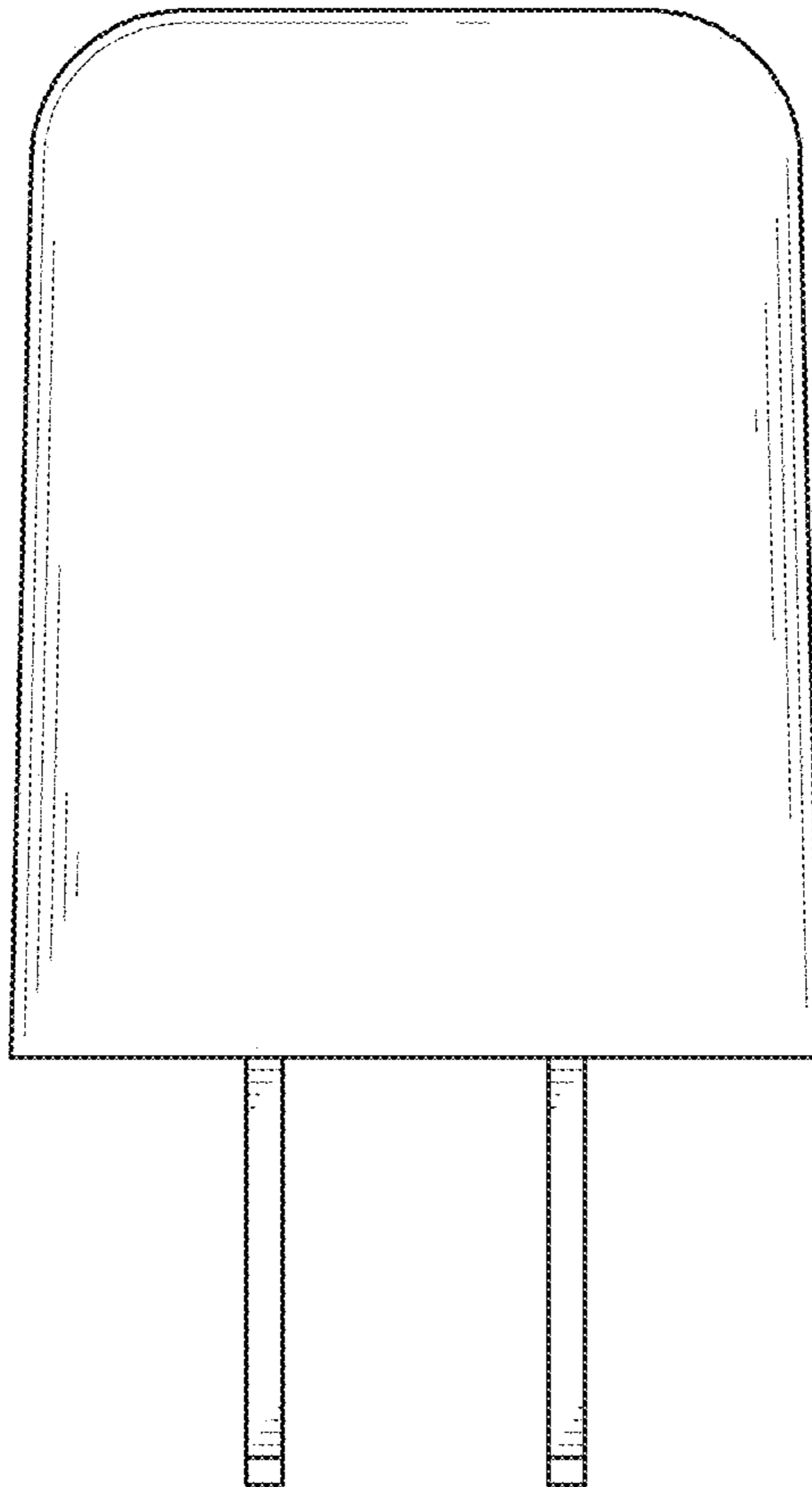


FIG. 3

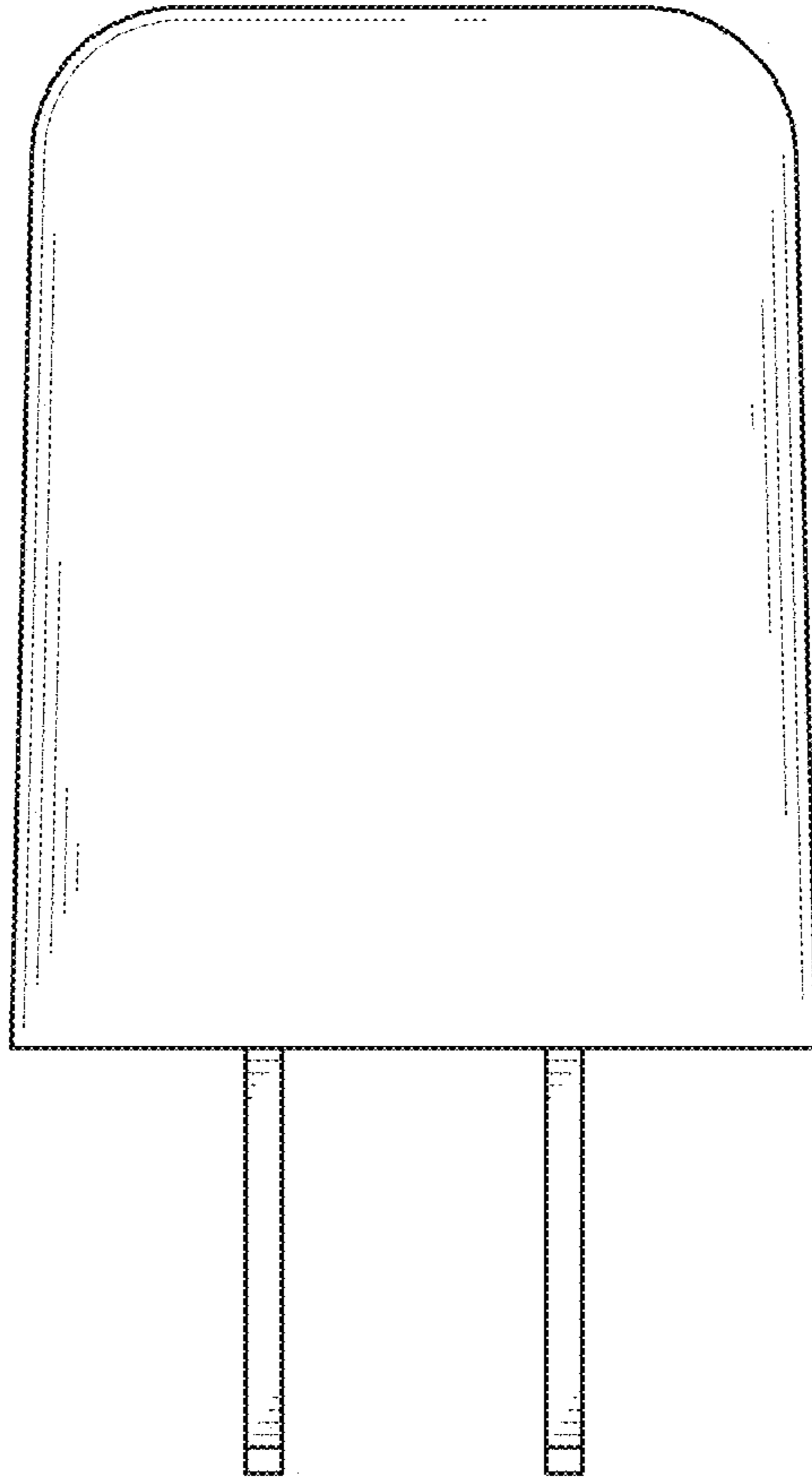


FIG. 4

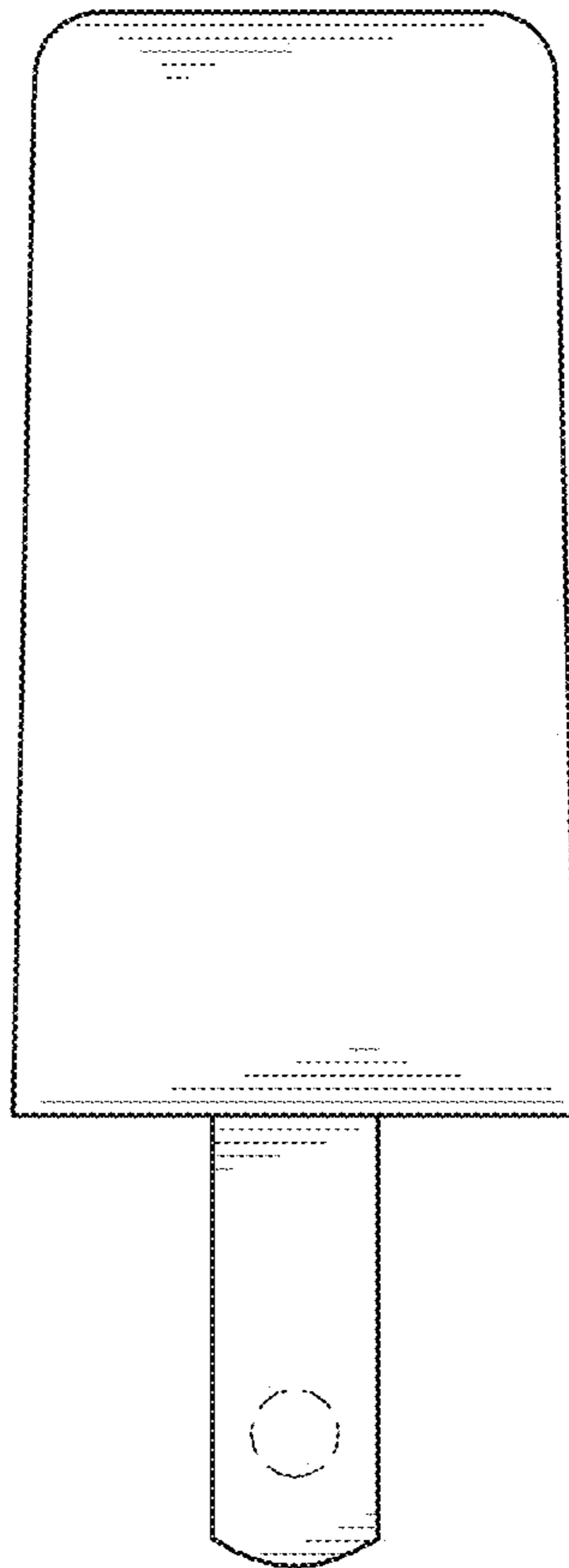


FIG. 5

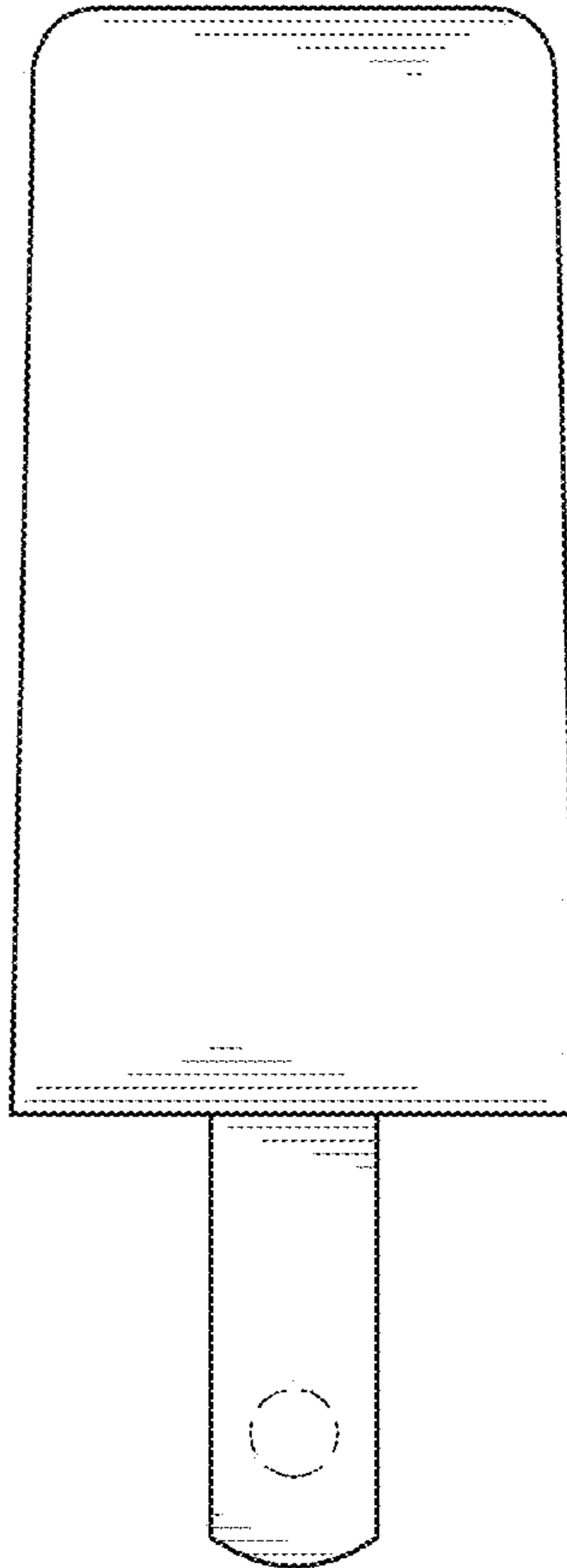


FIG. 6

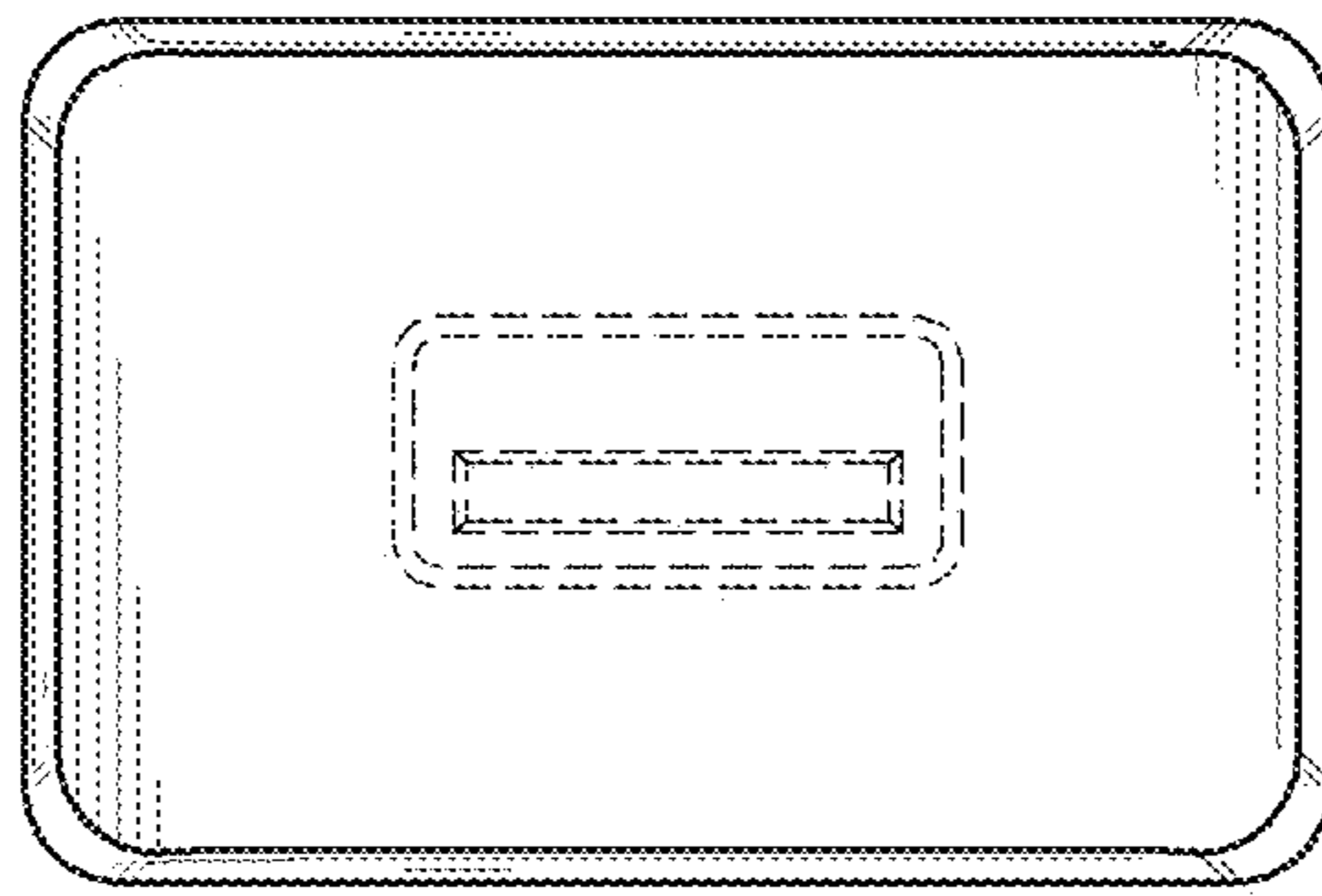


FIG. 7

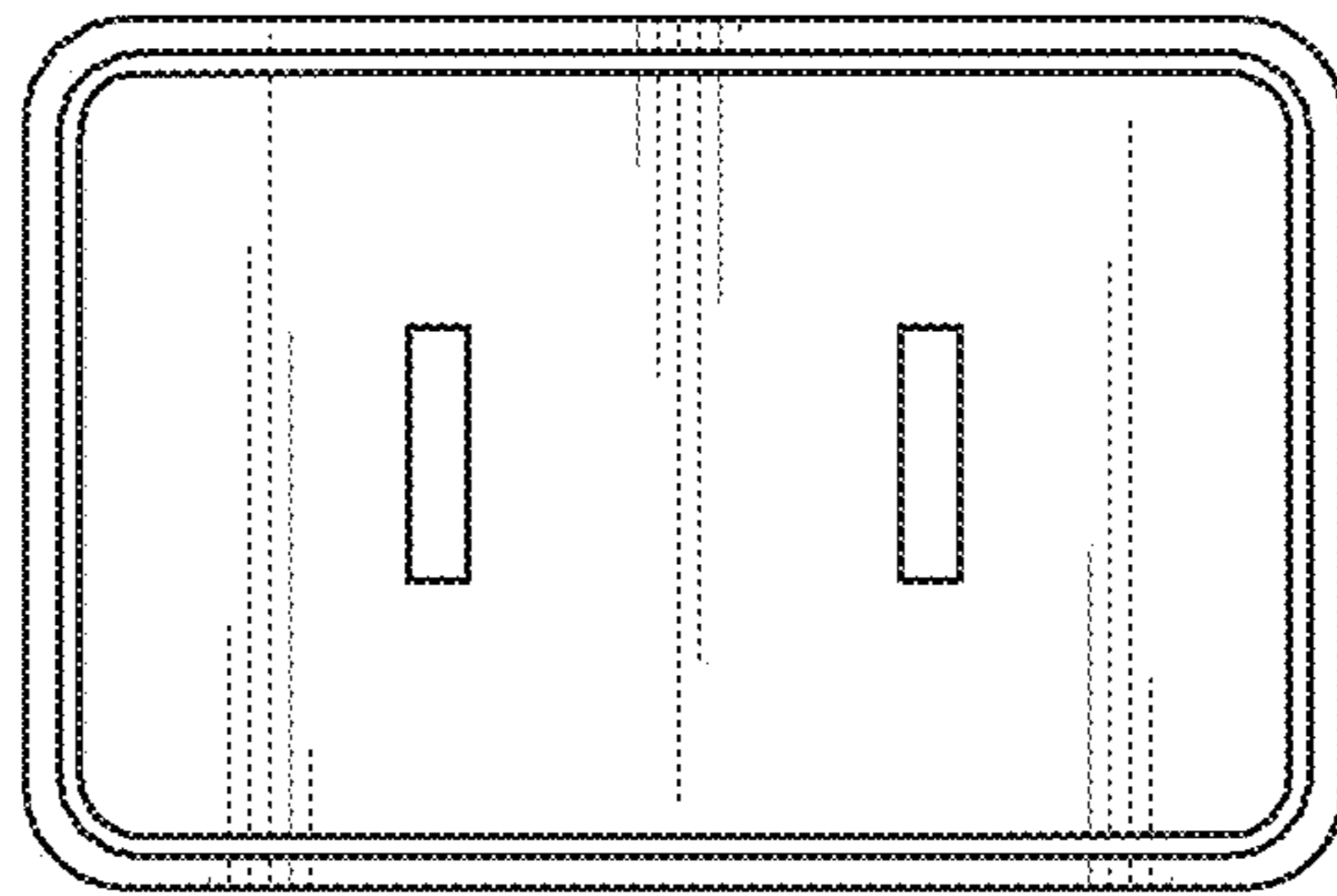


FIG. 8

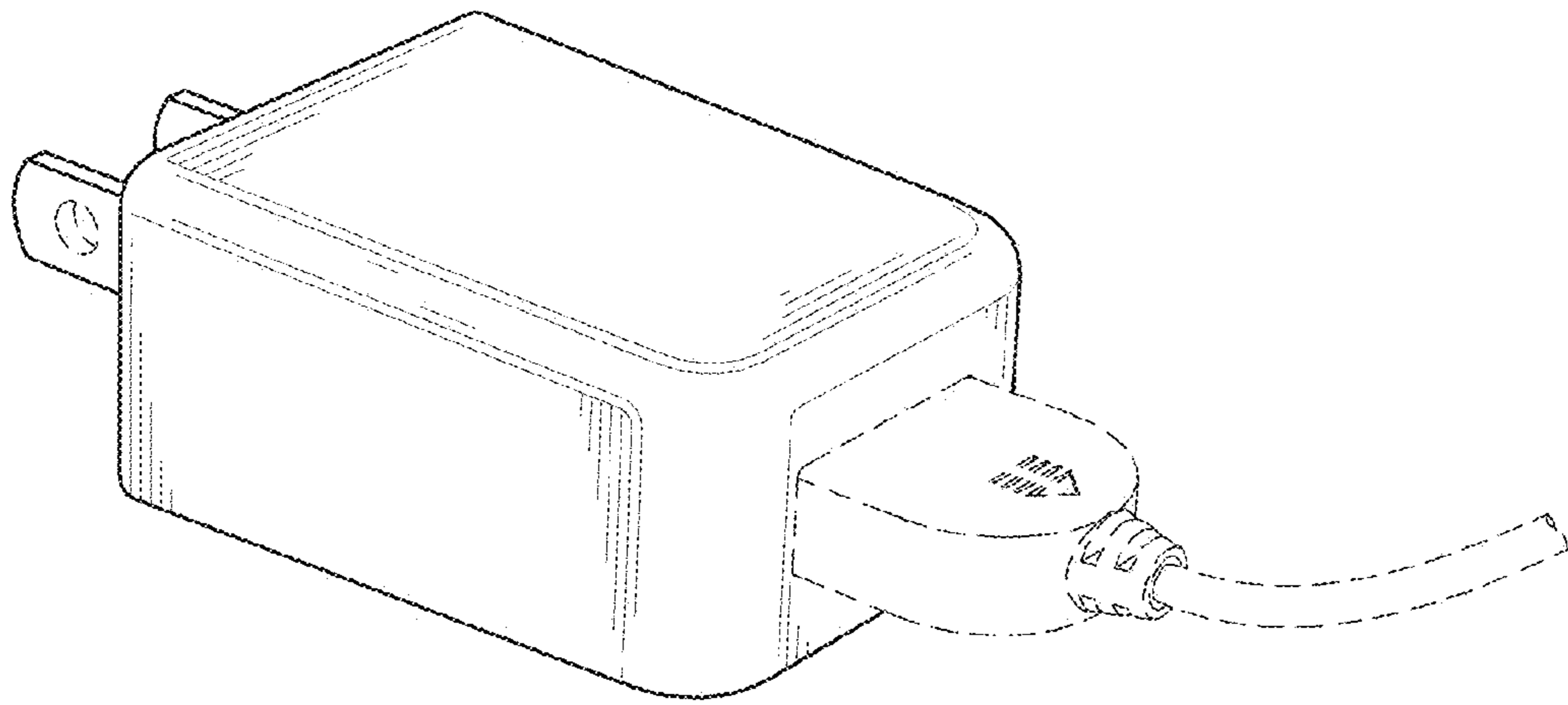


FIG. 9