



US00D704629S

(12) **United States Design Patent**
Liu

(10) **Patent No.:** **US D704,629 S**

(45) **Date of Patent:** **** May 13, 2014**

(54) **USB CHARGER FOR ELECTRONIC CIGARETTE**

(71) Applicant: **Qiuming Liu**, Shenzhen (CN)

(72) Inventor: **Qiuming Liu**, Shenzhen (CN)

(**) Term: **14 Years**

(21) Appl. No.: **29/439,831**

(22) Filed: **Dec. 14, 2012**

(51) **LOC (10) CI.** **13-02**

(52) **U.S. CI.**
USPC **D13/108; D27/194**

(58) **Field of Classification Search**
USPC D13/107–110, 118–119, 184, 199;
D14/217, 251, 253, 432, 434, 480.1,
D14/480.3, 480.5, 480.7; 320/107–115;
D27/172, 193, 194
See application file for complete search history.

(56) **References Cited**

U.S. PATENT DOCUMENTS

D292,912 S *	11/1987	Muller et al.	D13/108
D368,552 S *	4/1996	Adams	D27/194
D645,049 S *	9/2011	Faranda et al.	D14/480.5
D645,050 S *	9/2011	Faranda et al.	D14/480.5
D652,379 S *	1/2012	Vandiver	D13/108
D659,094 S *	5/2012	Brand et al.	D13/108
D662,050 S *	6/2012	Tien	D13/108
D673,110 S *	12/2012	Sasada et al.	D13/108
D673,908 S *	1/2013	Koch	D13/108
D674,748 S *	1/2013	Ferber et al.	D13/108

D675,156 S *	1/2013	Vandiver et al.	D13/108
D680,069 S *	4/2013	Symons	D13/108
D686,987 S *	7/2013	Vanstone et al.	D13/108

* cited by examiner

Primary Examiner — Rosemary K Tarcza

(74) *Attorney, Agent, or Firm* — Cheng-Ju Chiang

(57) **CLAIM**

The ornamental design for a “USB charger for electronic cigarette,” as shown and described.

DESCRIPTION

FIG. 1 a front elevational view of a USB charger for an electronic cigarette showing my new design with a USB port thereof being folded;

FIG. 2 is a rear elevational view thereof;

FIG. 3 is a left side elevational view thereof;

FIG. 4 is a right side elevational view thereof;

FIG. 5 is a top plan view thereof;

FIG. 6 is a bottom plan view thereof;

FIG. 7 is a front, top and left side perspective view thereof;

FIG. 8 is a front, top and left side perspective view of the USB charger for an electronic cigarette with the USB port extending outwards;

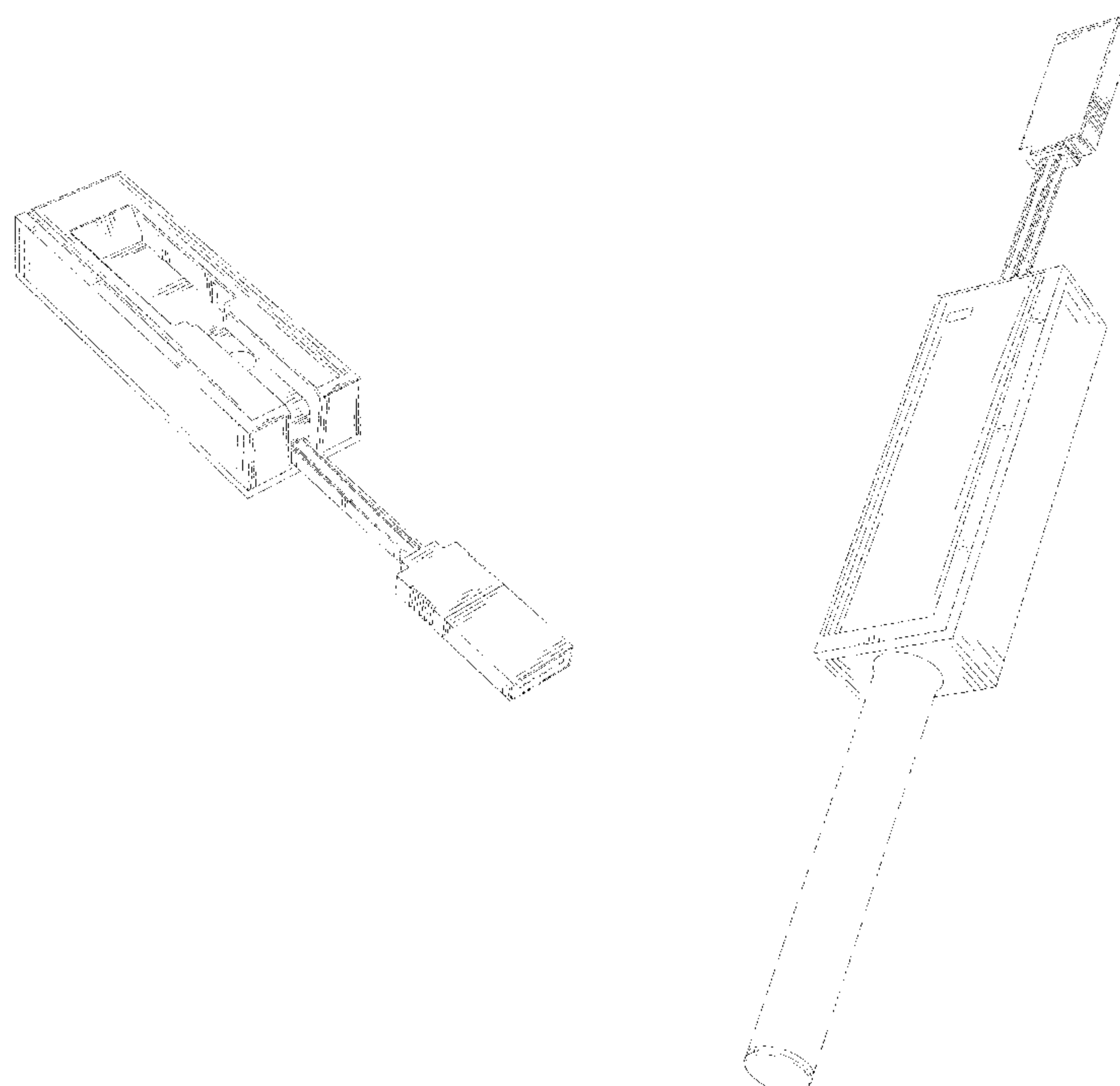
FIG. 9 is a rear, bottom and right side perspective view of the USB charger for an electronic cigarette of FIG. 8;

FIG. 10 is a rear, bottom and right side perspective view of the USB charger for an electronic cigarette with the USB port extending outwards and with an electronic cigarette being inserted therein; and,

FIG. 11 is a top elevational view of the USB charger for an electronic cigarette of FIG. 10.

The broken lines are for illustrative purposes only and form no part of the claimed design.

1 Claim, 11 Drawing Sheets



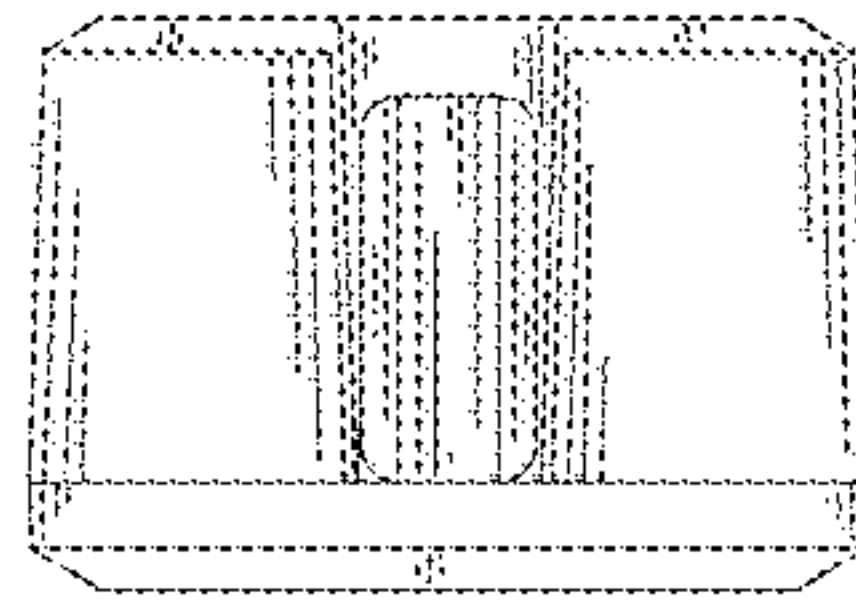


FIG. 1

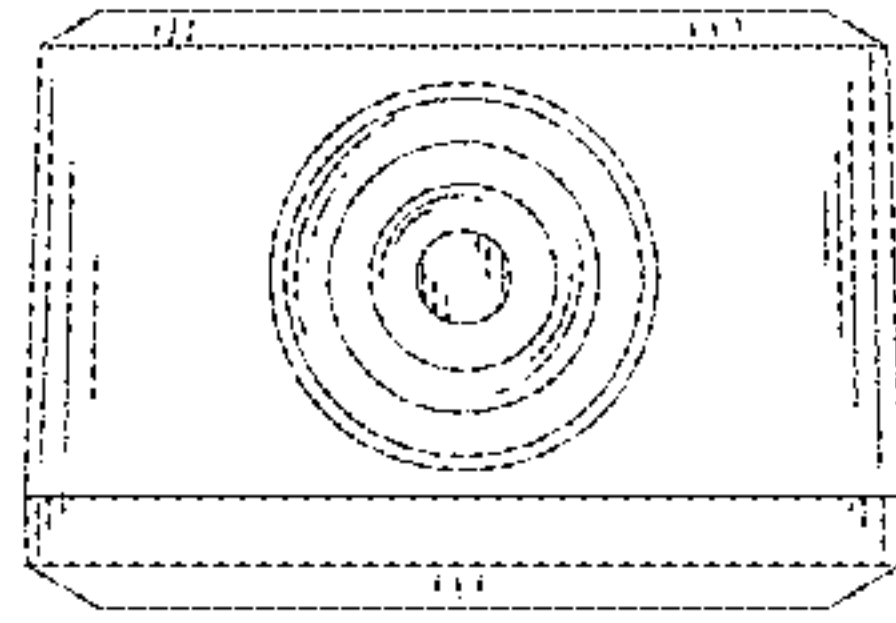


FIG. 2

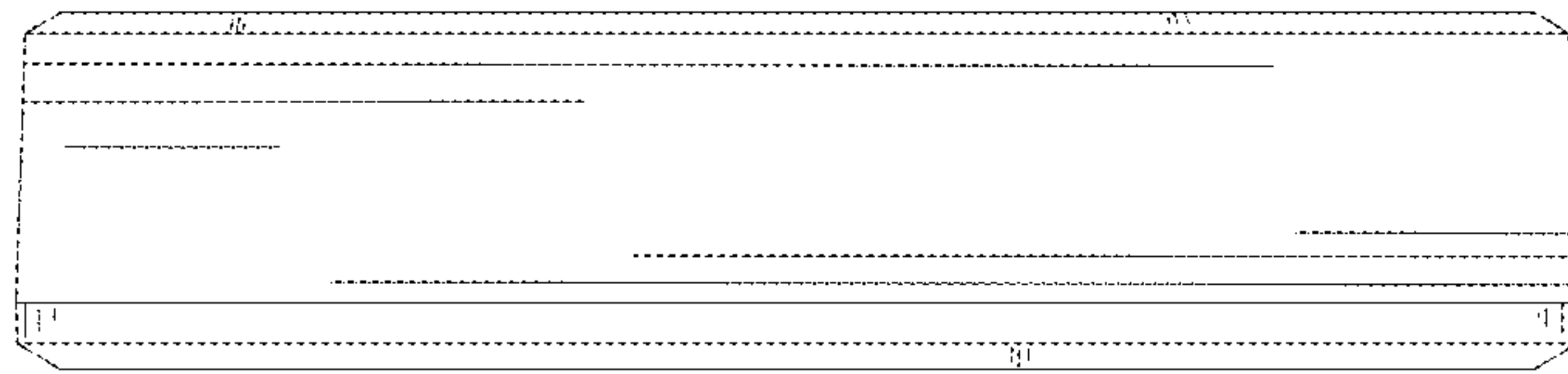


FIG. 3

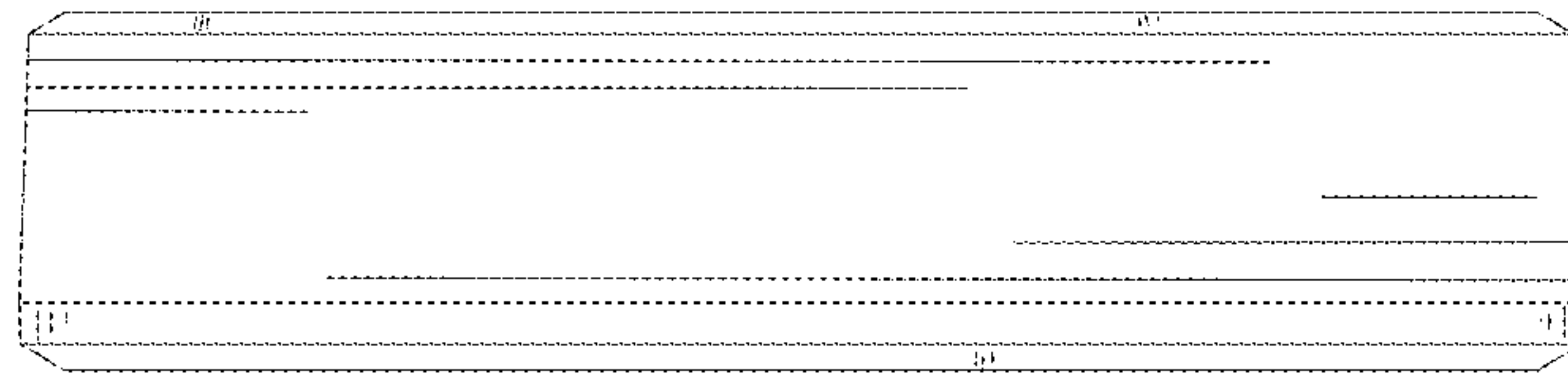


FIG. 4

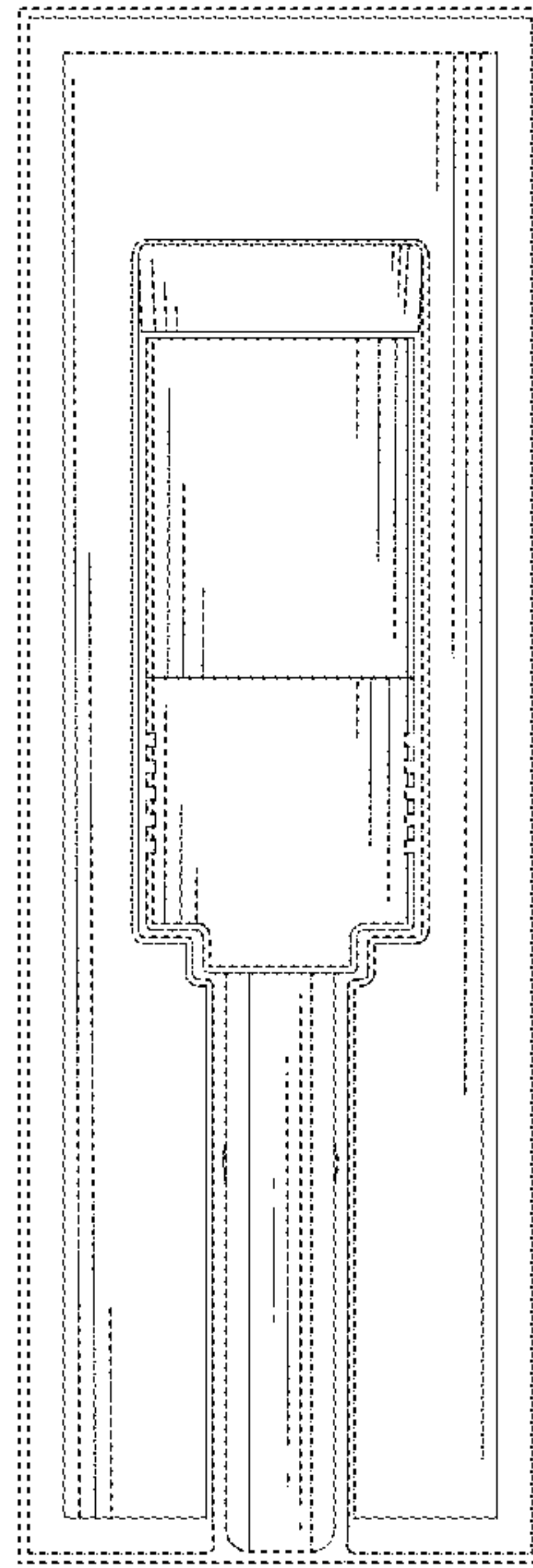


FIG. 5

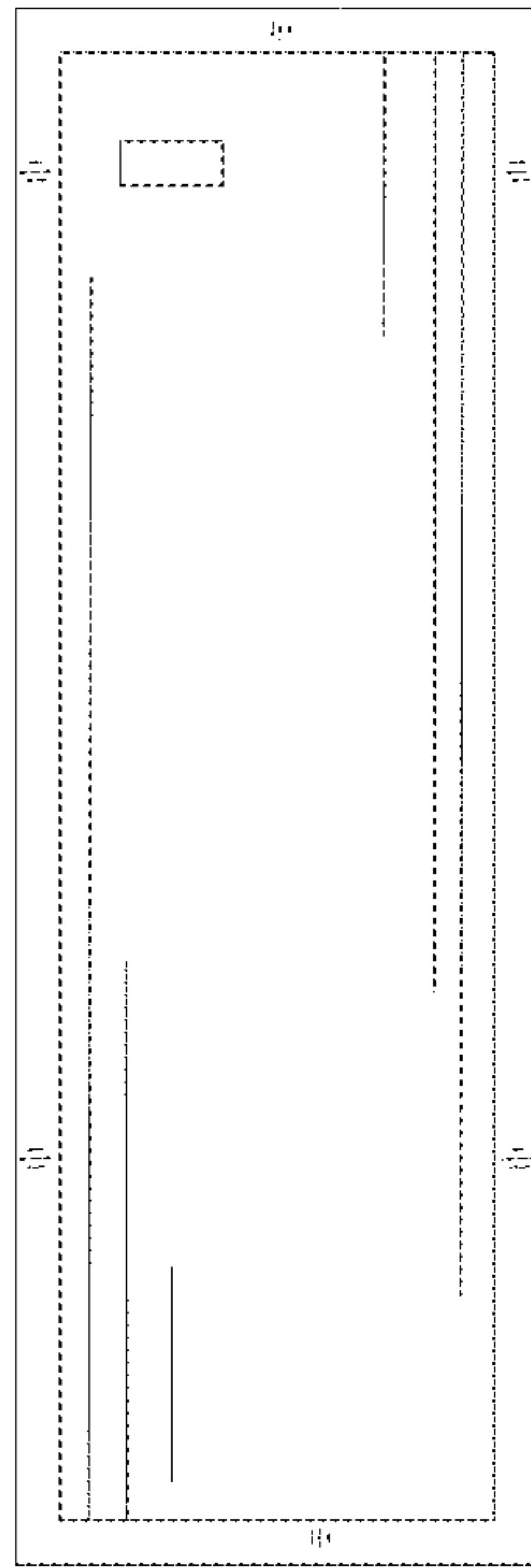


FIG. 6

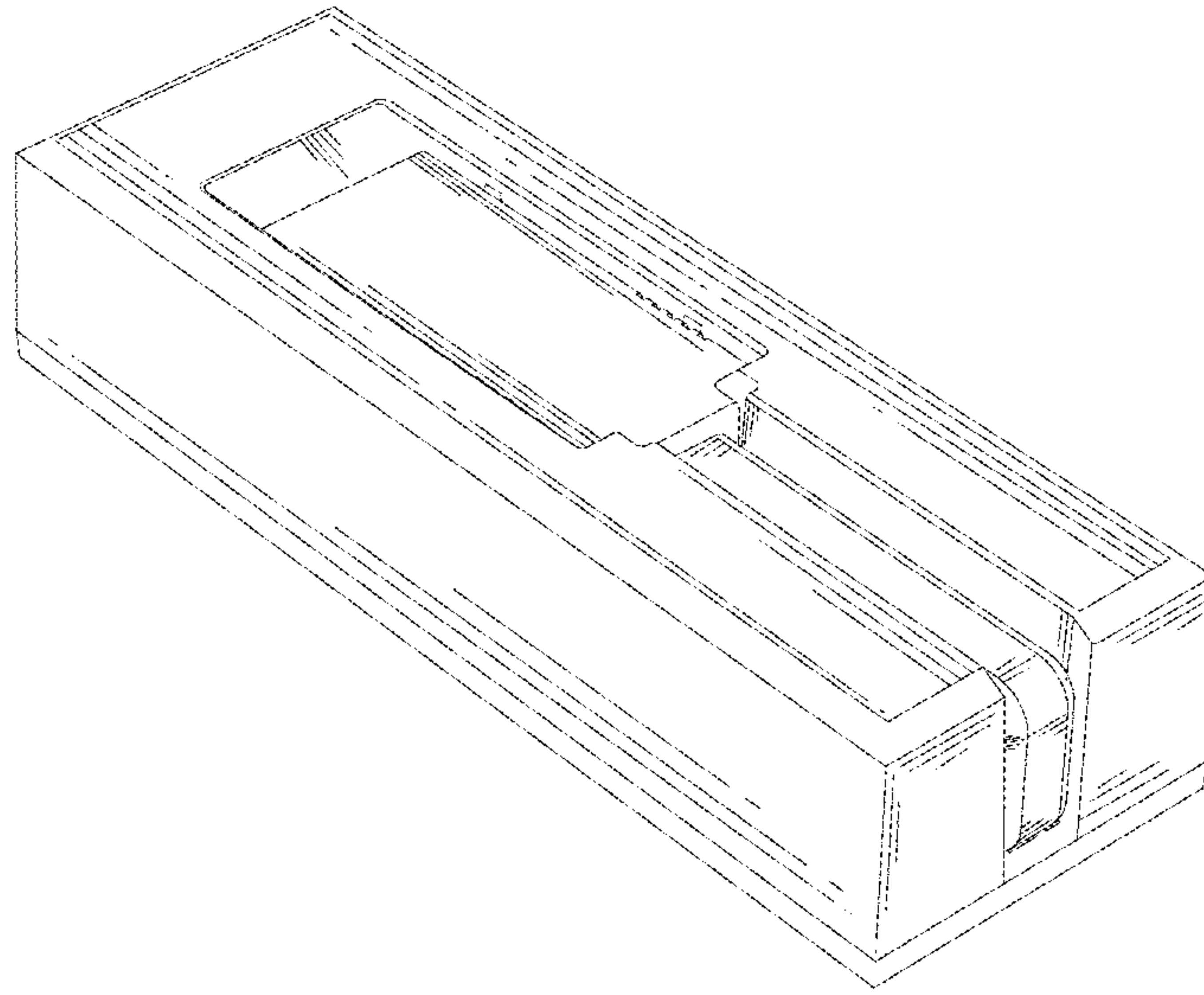


FIG. 7

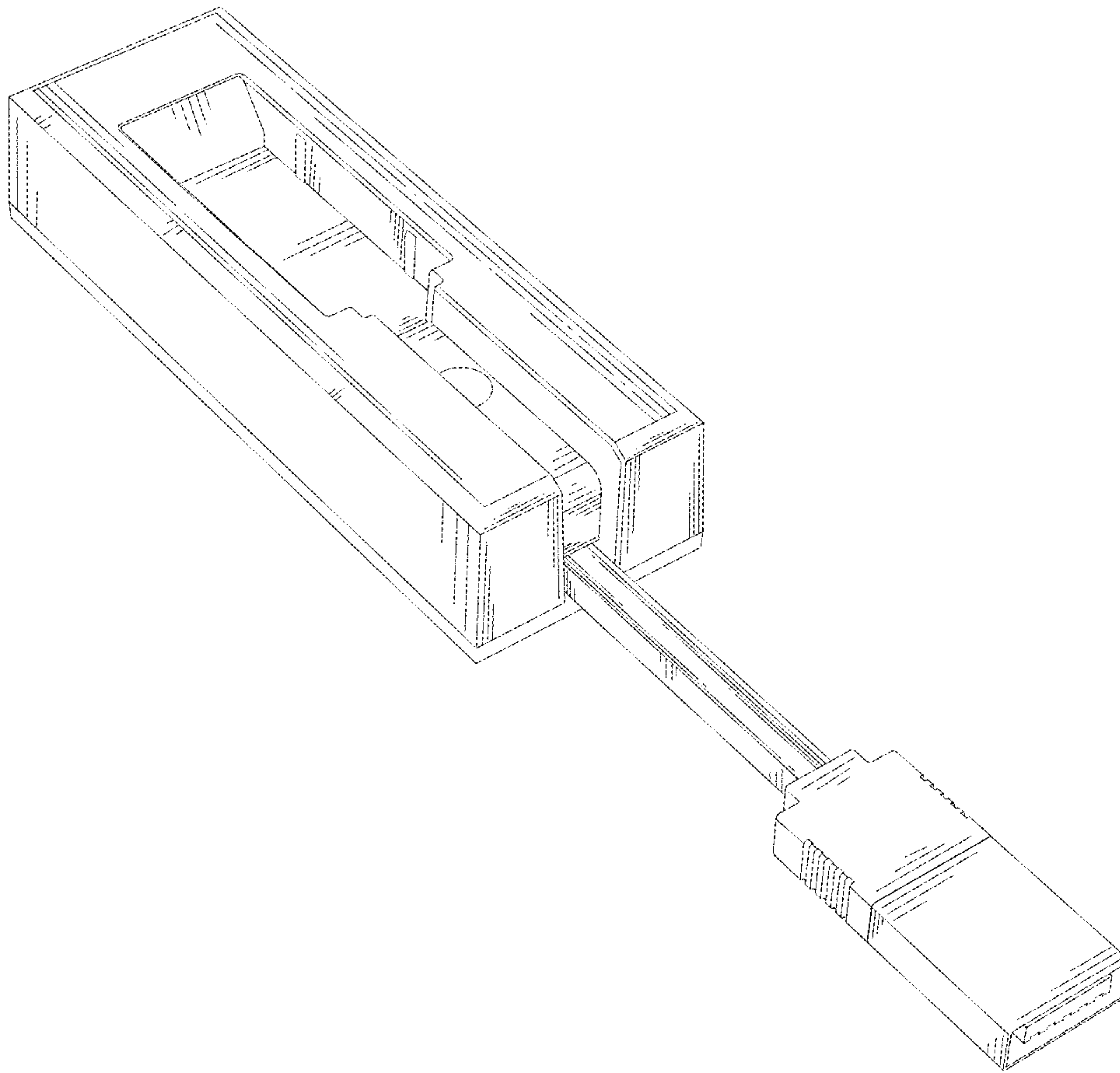


FIG. 8

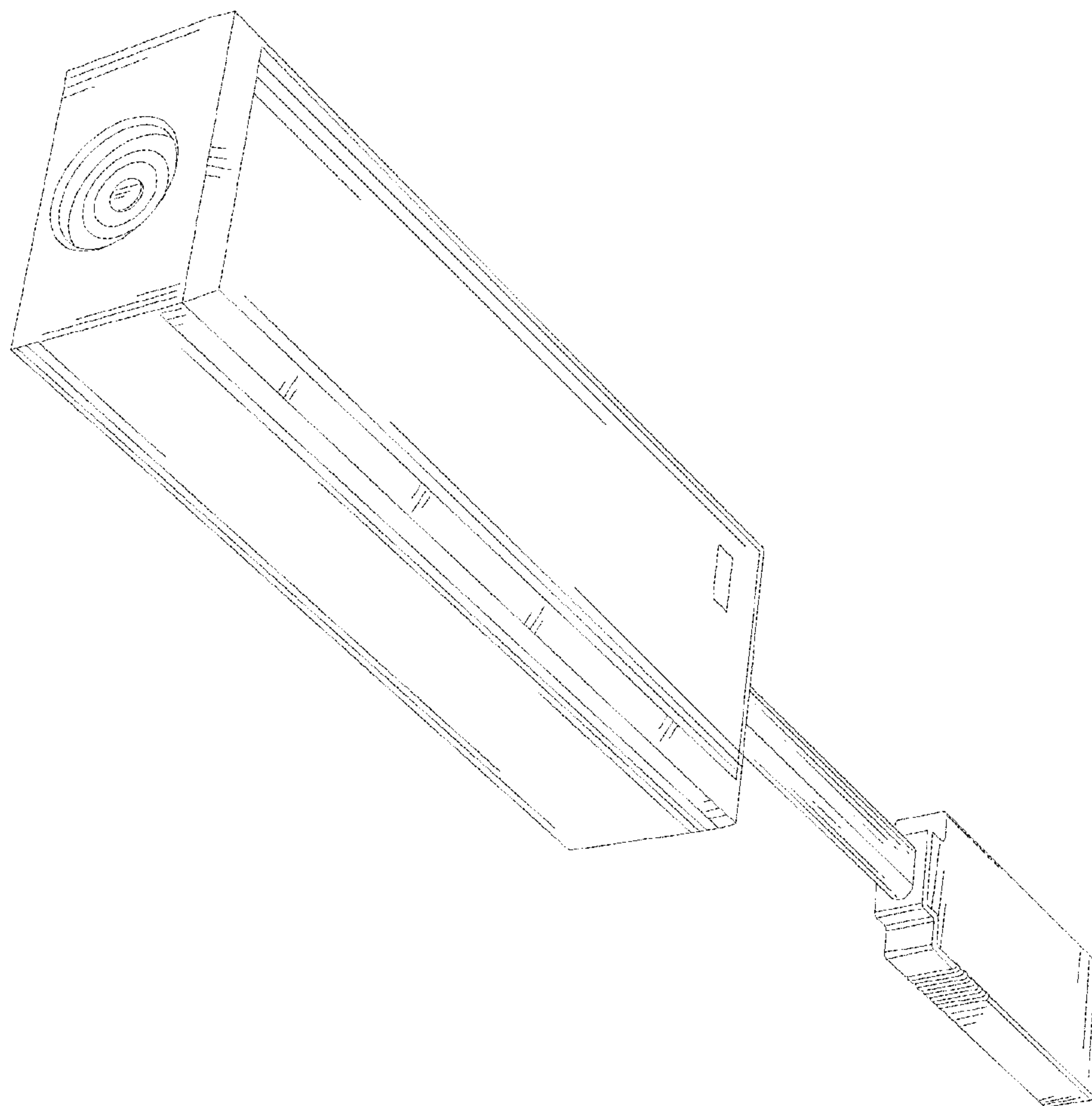


FIG. 9

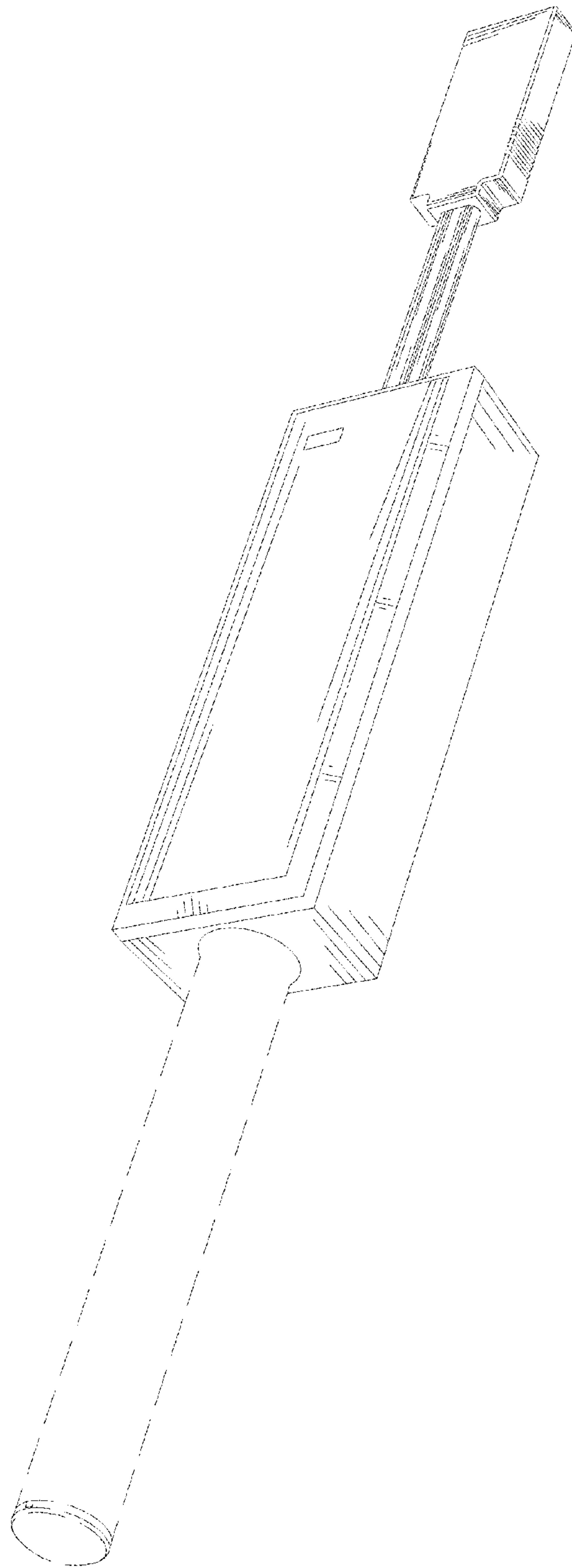


FIG. 10

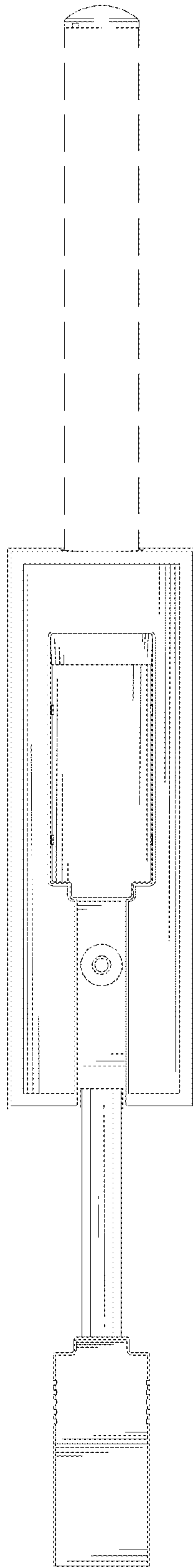


FIG. 11