



US00D704628S

(12) **United States Design Patent**
Tajik et al.

(10) **Patent No.:** **US D704,628 S**

(45) **Date of Patent:** **** May 13, 2014**

(54) **CHARGING STATION**

(75) Inventors: **Reza Tajik**, Solna (SE); **Rajinder Mehra**, Johanneshov (SE)

(73) Assignee: **Husqvarna AB**, Huskvarna (SE)

(**) Term: **14 Years**

(21) Appl. No.: **29/431,809**

(22) Filed: **Sep. 11, 2012**

(30) **Foreign Application Priority Data**

Mar. 16, 2012 (EM) 001326540-0001

(51) **LOC (10) Cl.** **13-02**

(52) **U.S. Cl.**
USPC **D13/108**

(58) **Field of Classification Search**
USPC D13/107-110, 118-119, 184, 199;
D14/217, 251, 253, 432, 434;
320/107-115

See application file for complete search history.

(56) **References Cited**

U.S. PATENT DOCUMENTS

D327,868 S *	7/1992	Oka	D13/110
D385,283 S *	10/1997	Snyder et al.	D14/253
D423,473 S *	4/2000	Iwamoto	D14/434
D428,007 S *	7/2000	Yamamoto et al.	D14/356
D443,247 S *	6/2001	Chuan et al.	D13/107

D450,707 S *	11/2001	Francavilla et al.	D14/434
D489,321 S *	5/2004	Krieger et al.	D13/108
D510,066 S *	9/2005	Hickey et al.	D13/108
D585,897 S *	2/2009	Carnevali	D14/434
D586,348 S *	2/2009	Leung et al.	D14/434
D588,059 S *	3/2009	Fujita et al.	D13/108
D616,890 S *	6/2010	Lewandowski et al.	D14/434
D639,237 S *	6/2011	Lee et al.	D13/108
D639,735 S *	6/2011	Lee et al.	D13/108

* cited by examiner

Primary Examiner — Rosemary K Tarcza

(74) *Attorney, Agent, or Firm* — Nelson Mullins Riley & Scarborough LLP

(57) **CLAIM**

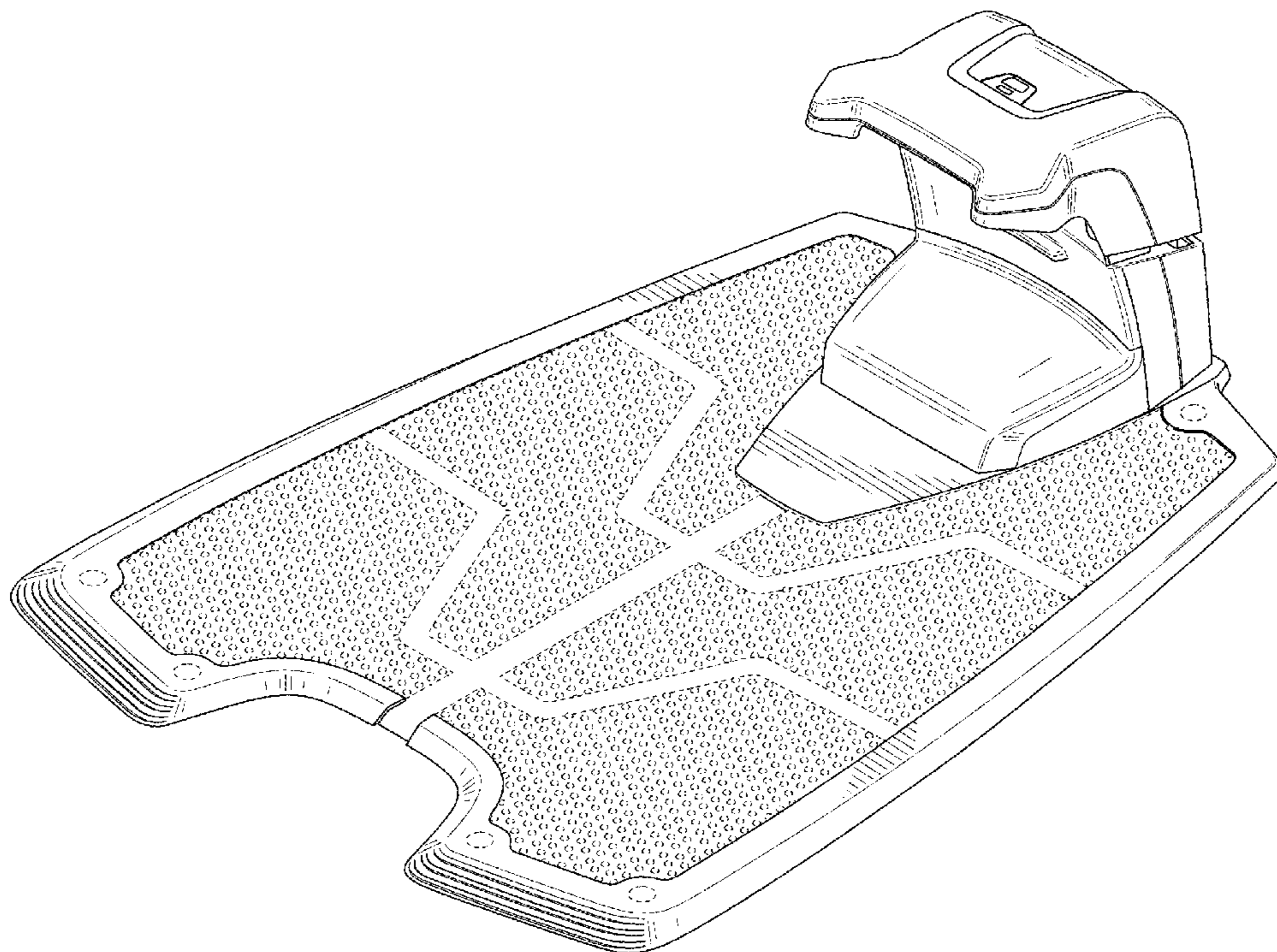
The ornamental design for a charging station, as shown and described.

DESCRIPTION

FIG. 1 is a perspective view of a charging station in accordance with an embodiment of the present invention; FIG. 2 is a front view of the charging station of FIG. 1; FIG. 3 is a rear view of the charging station of FIG. 1; FIG. 4 is a left side view of the charging station of FIG. 1; FIG. 5 is a right side view of the charging station of FIG. 1; FIG. 6 is a top view of the charging station of FIG. 1; and, FIG. 7 is a bottom view of the charging station of FIG. 1.

The broken lines of FIGS. 1-7 are illustrative of the visible environmental structure of the charging station and form no part of the claimed design.

1 Claim, 7 Drawing Sheets



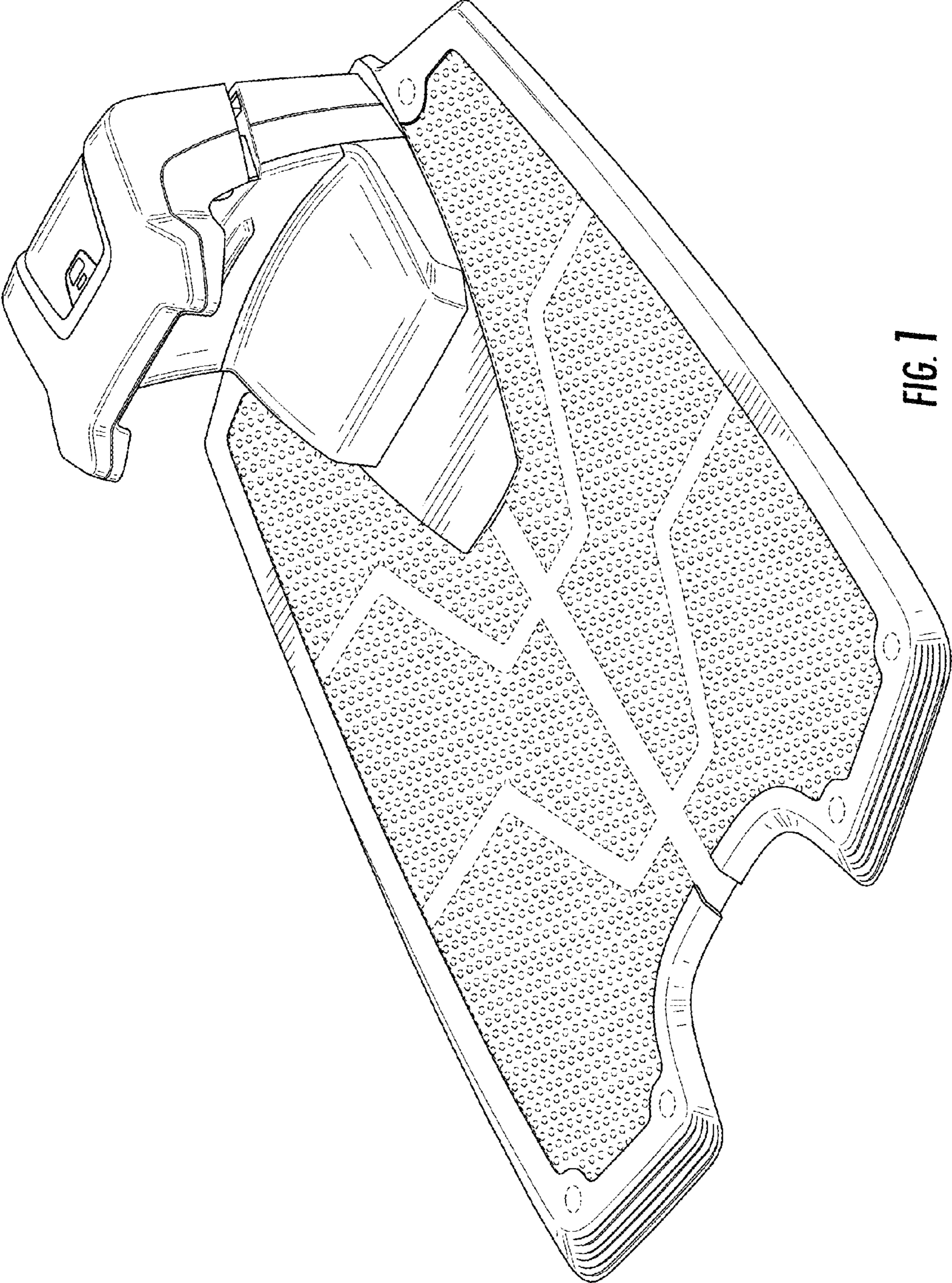


FIG. 1

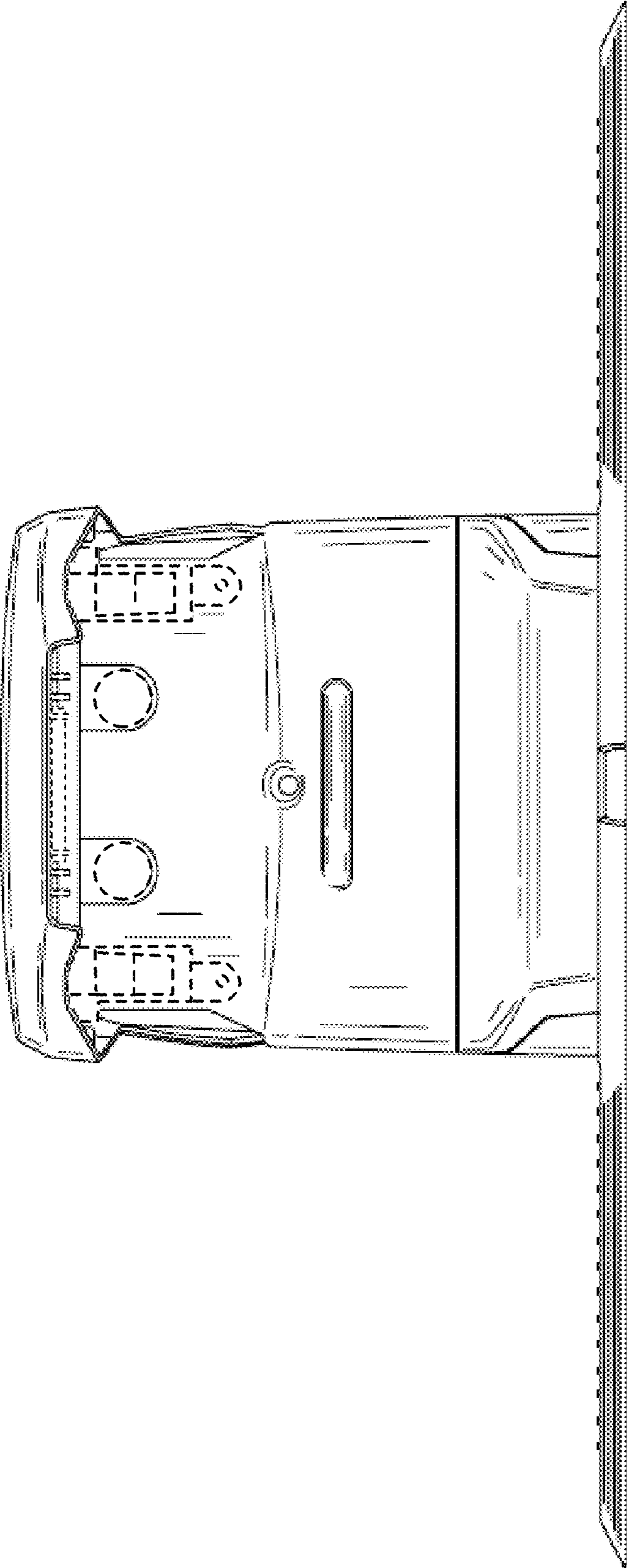


FIG. 2

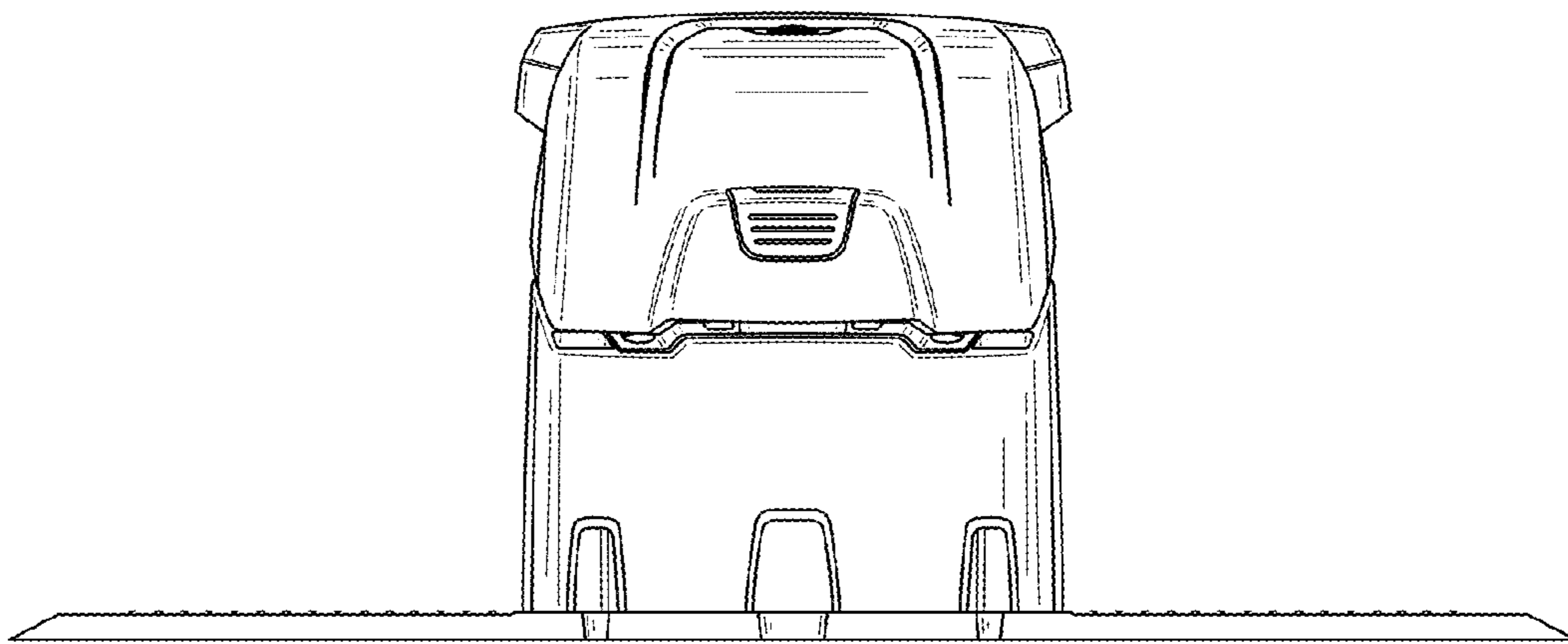


FIG. 3

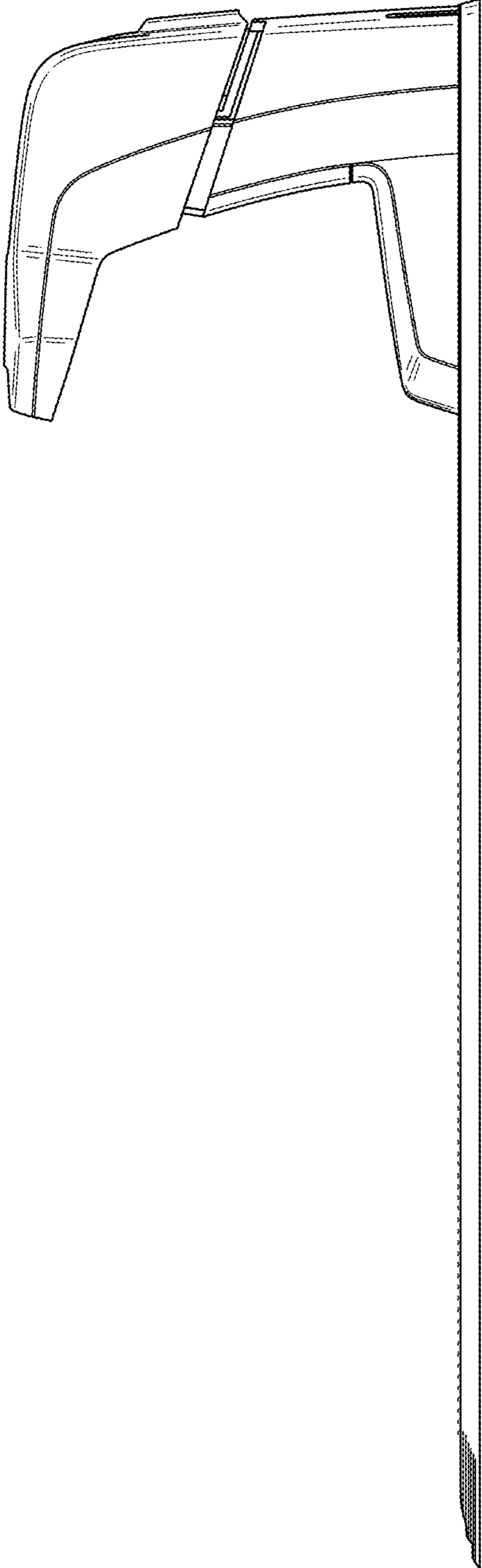


FIG. 4

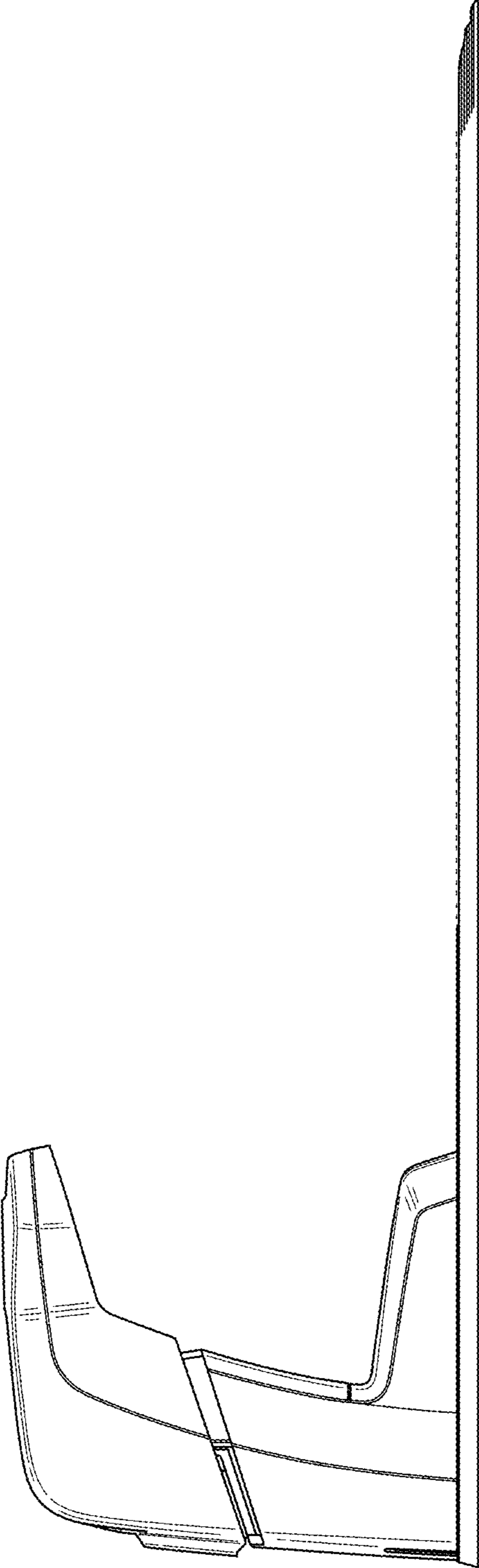


FIG. 5

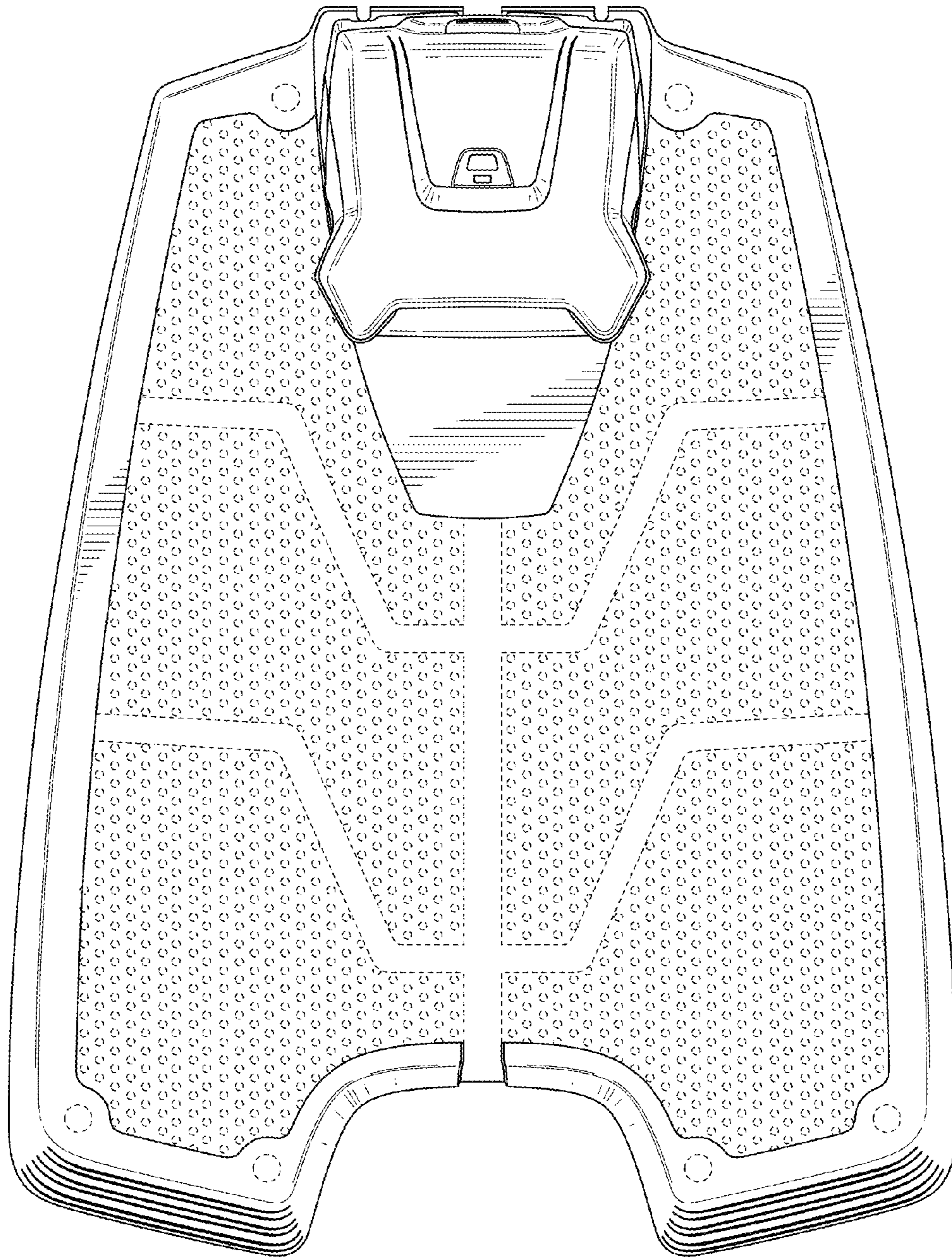


FIG. 6

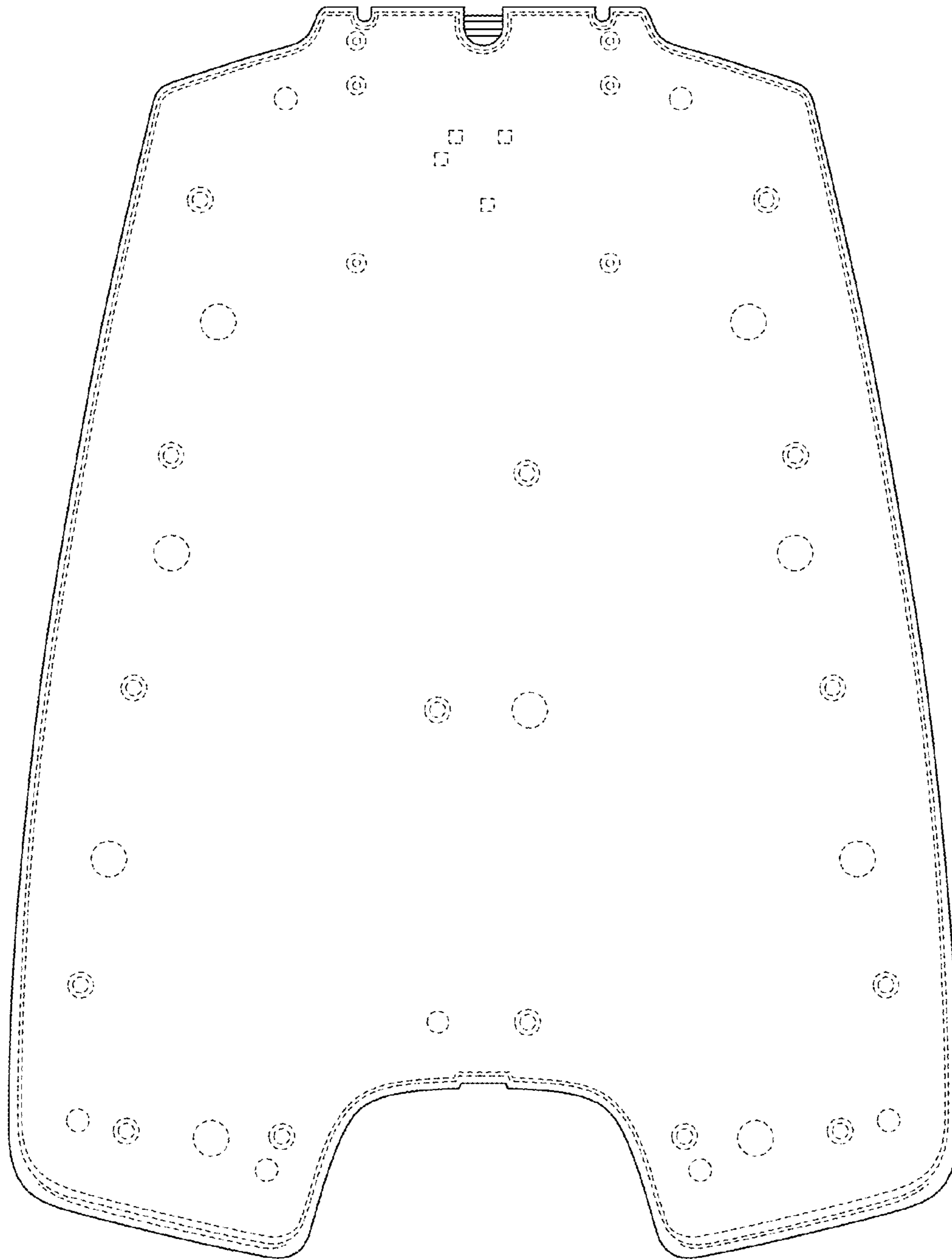


FIG. 7