



US00D704627S

(12) **United States Design Patent**
Huang

(10) **Patent No.:** **US D704,627 S**

(45) **Date of Patent:** **** May 13, 2014**

(54) **PORTABLE CHARGER**

(71) Applicant: **Congsheng Huang**, Fujian Province
(CN)

(72) Inventor: **Congsheng Huang**, Fujian Province
(CN)

(**) Term: **14 Years**

(21) Appl. No.: **29/458,239**

(22) Filed: **Jun. 18, 2013**

(51) **LOC (10) Cl.** **13-02**

(52) **U.S. Cl.**
USPC **D13/107**

(58) **Field of Classification Search**
USPC D13/107–110, 118–119, 184, 199;
D14/251, 253, 432, 434; 320/107–115
See application file for complete search history.

(56) **References Cited**

U.S. PATENT DOCUMENTS

D530,717 S *	10/2006	Mori et al.	D14/434
D574,769 S *	8/2008	Fisher et al.	D13/108
D578,961 S *	10/2008	Fisher et al.	D13/108
D598,375 S *	8/2009	Nomi	D13/108
D609,636 S *	2/2010	Jensen	D13/108
D633,503 S *	3/2011	Bo et al.	D14/434
D637,951 S *	5/2011	Perez	D13/108
D667,411 S *	9/2012	Kim	D14/434

* cited by examiner

Primary Examiner — Rosemary K Tarca

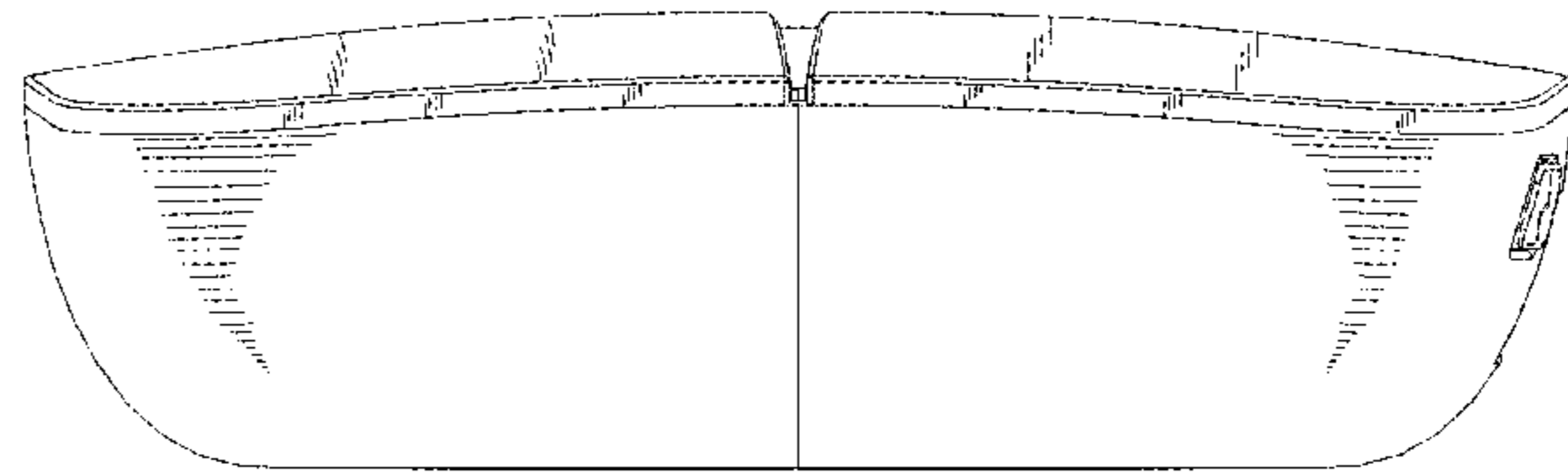
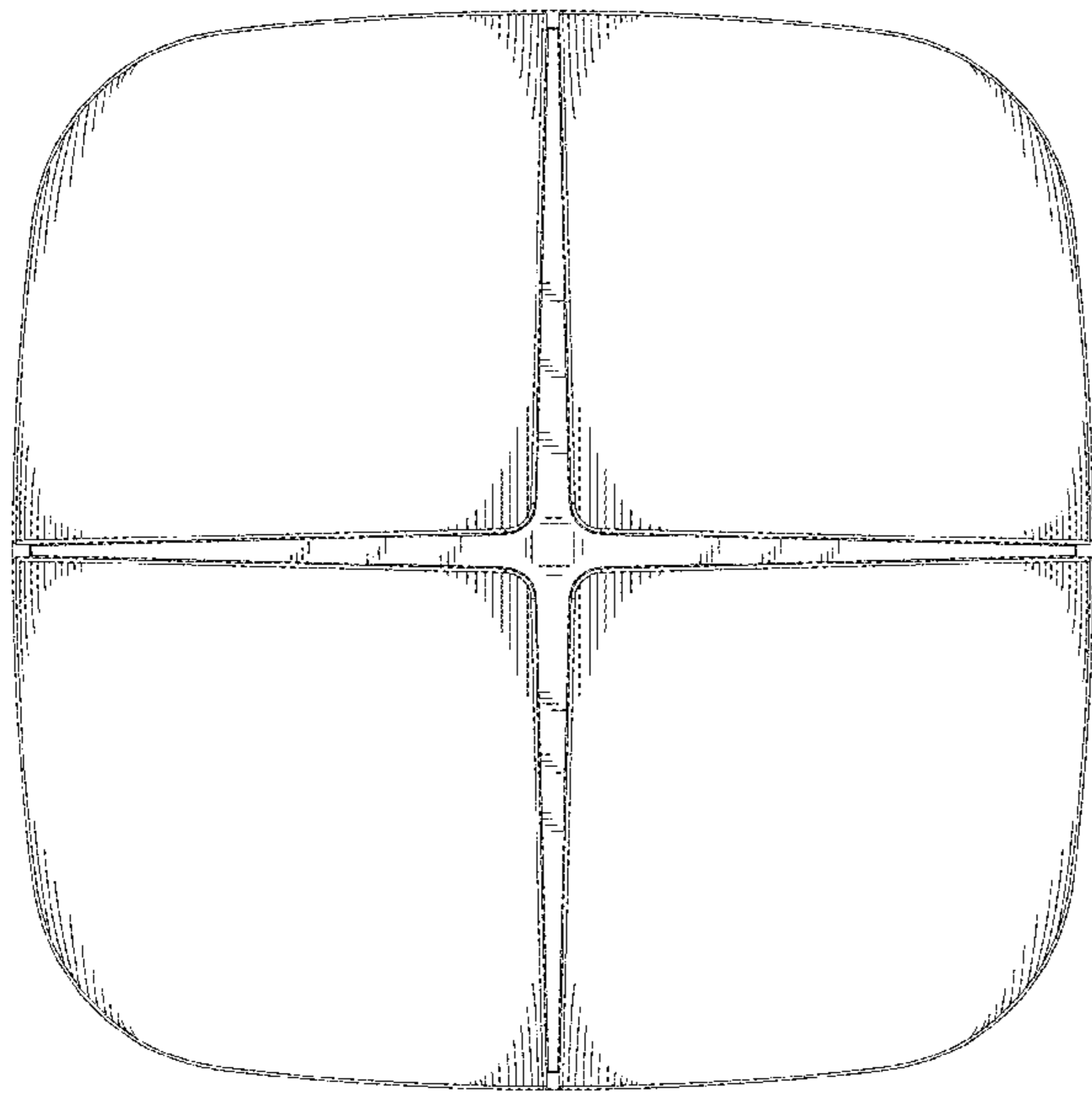
(57) **CLAIM**

The ornamental design for a portable charger, as shown.

DESCRIPTION

FIG. 1 is a front elevational view of a portable charger showing my new design;
FIG. 2 is a rear elevational view thereof;
FIG. 3 is a left side view thereof;
FIG. 4 is a right side view thereof;
FIG. 5 is a top plan view thereof; and,
FIG. 6 is a bottom plan view thereof.

1 Claim, 4 Drawing Sheets



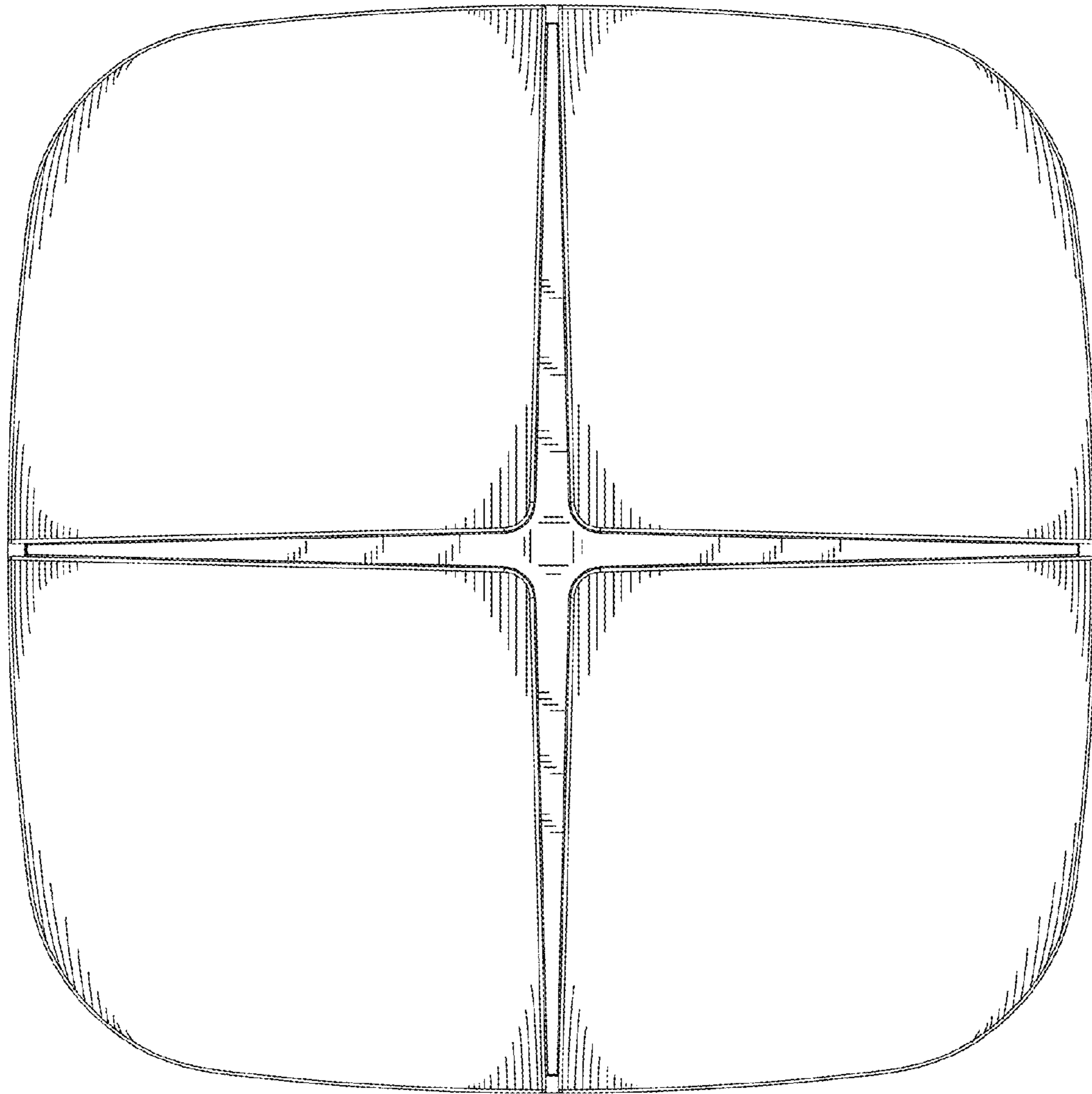


FIG. 1

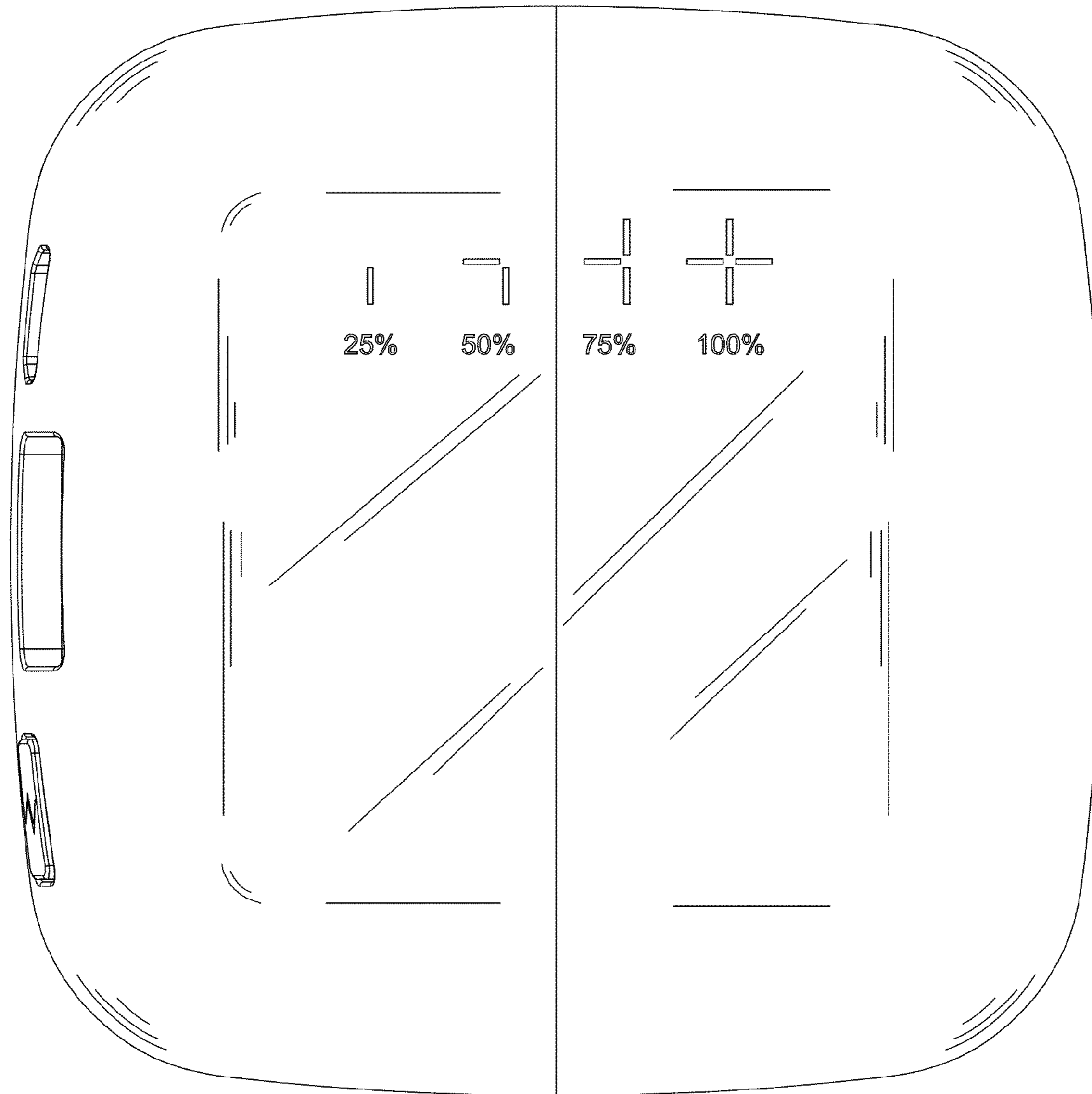


FIG. 2

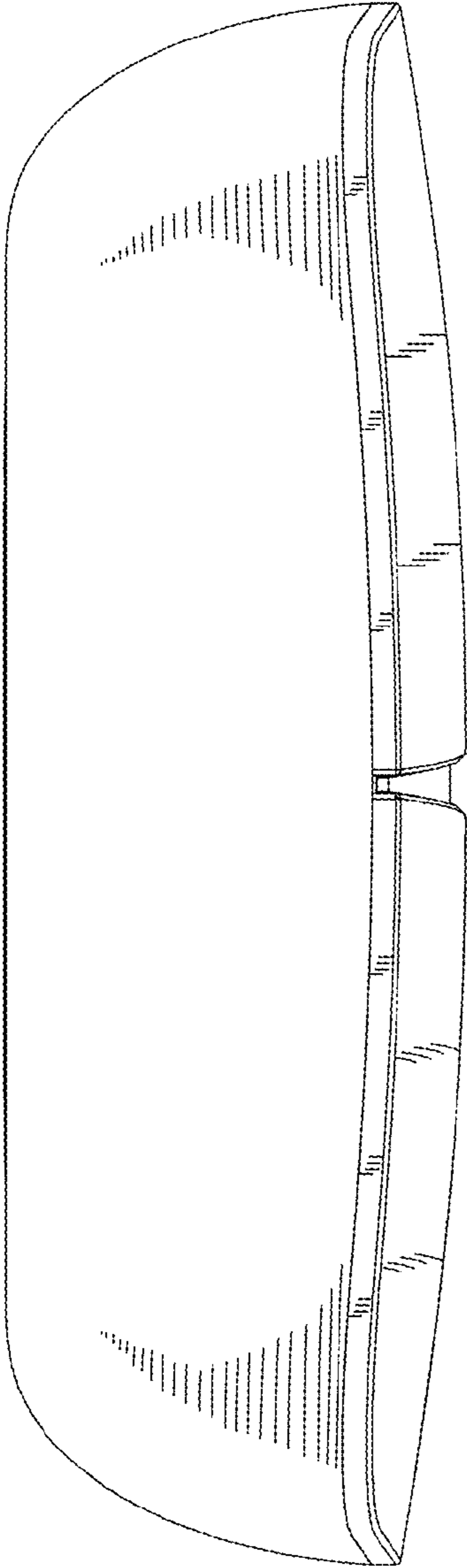


FIG. 3

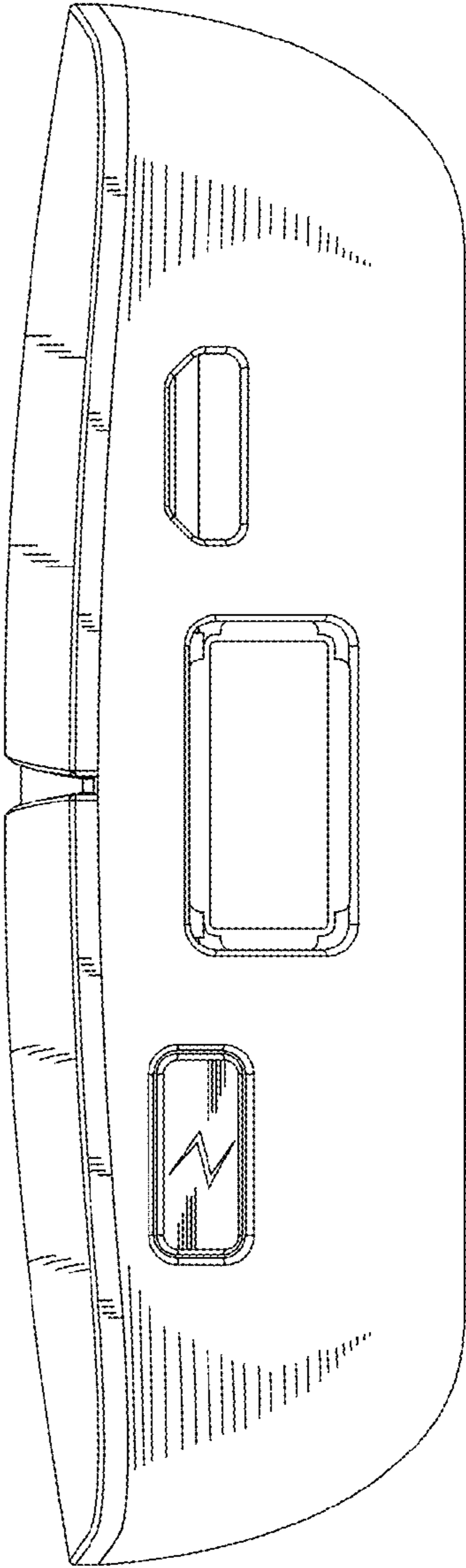


FIG. 4

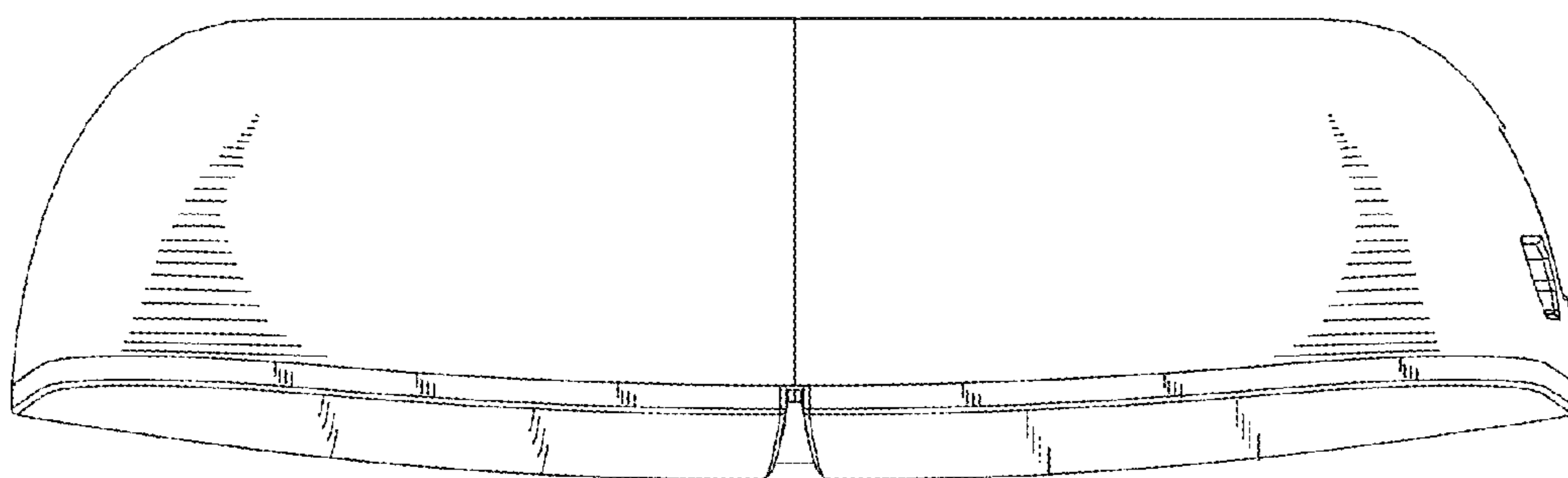


FIG. 5

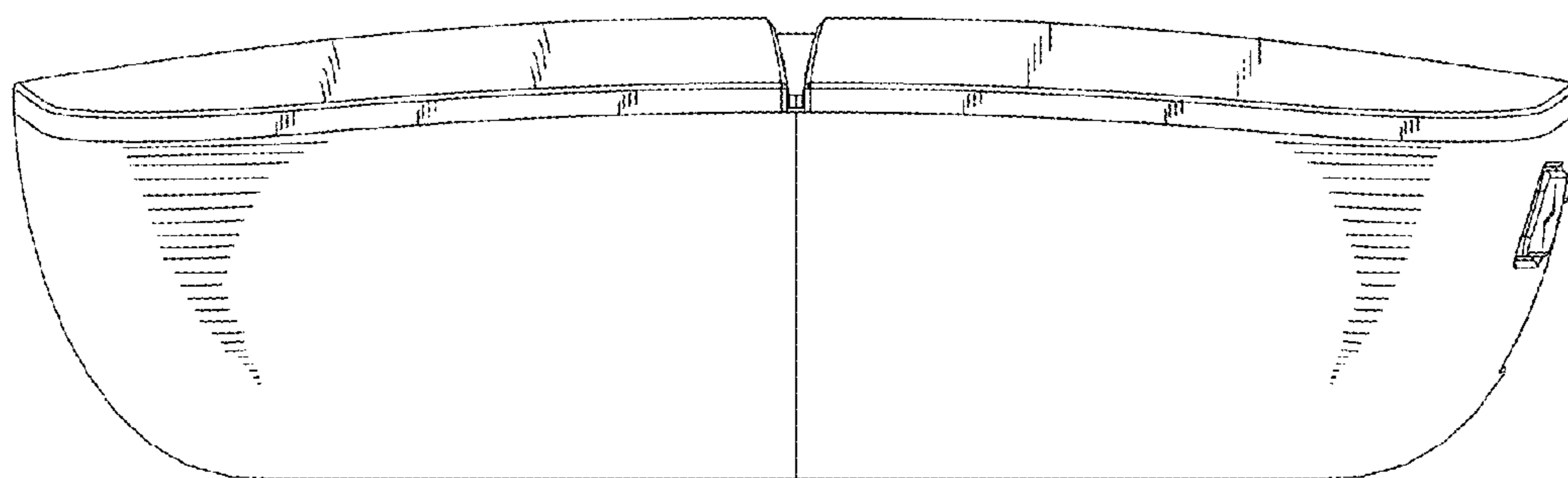


FIG. 6