



US00D704625S

(12) **United States Design Patent**
Tsutsumi et al.

(10) **Patent No.:** **US D704,625 S**

(45) **Date of Patent:** **** May 13, 2014**

(54) **STORAGE BATTERY**

(75) Inventors: **Masakazu Tsutsumi**, Kyoto (JP);
Shinsuke Yoshitake, Kyoto (JP); **Jun Nakamura**, Kyoto (JP); **Kosuke Oguri**, Saitama (JP); **Masahiko Natsuume**, Saitama (JP); **Masao Kawata**, Saitama (JP)

(73) Assignees: **GS Yuasa International Ltd.**, Kyoto (JP); **Honda Motor Co., Ltd.**, Tokyo (JP)

(**) Term: **14 Years**

(21) Appl. No.: **29/392,778**

(22) Filed: **May 26, 2011**

(30) **Foreign Application Priority Data**

Nov. 26, 2010 (JP) 2010-028310

(51) **LOC (10) Cl.** **13-02**

(52) **U.S. Cl.**
USPC **D13/103**

(58) **Field of Classification Search**
USPC D13/103-106, 118-119, 184, 199;
429/96-100, 149, 159, 163, 176, 177,
429/186

See application file for complete search history.

(56) **References Cited**

U.S. PATENT DOCUMENTS

D587,646 S * 3/2009 Ushijima et al. D13/103
D591,230 S * 4/2009 Tasai D13/103
D592,129 S * 5/2009 Masuda et al. D13/103

D642,978 S * 8/2011 Sato et al. D13/103
D644,176 S * 8/2011 Sato et al. D13/119
D645,813 S * 9/2011 Yamauchi et al. D13/103
D652,382 S * 1/2012 Yamauchi et al. D13/119
D664,917 S * 8/2012 Taguchi D13/103

FOREIGN PATENT DOCUMENTS

JP 2010-097764 4/2010
JP 2010-097822 4/2010

* cited by examiner

Primary Examiner — Rosemary K Tarcza

(74) *Attorney, Agent, or Firm* — Clark & Brody

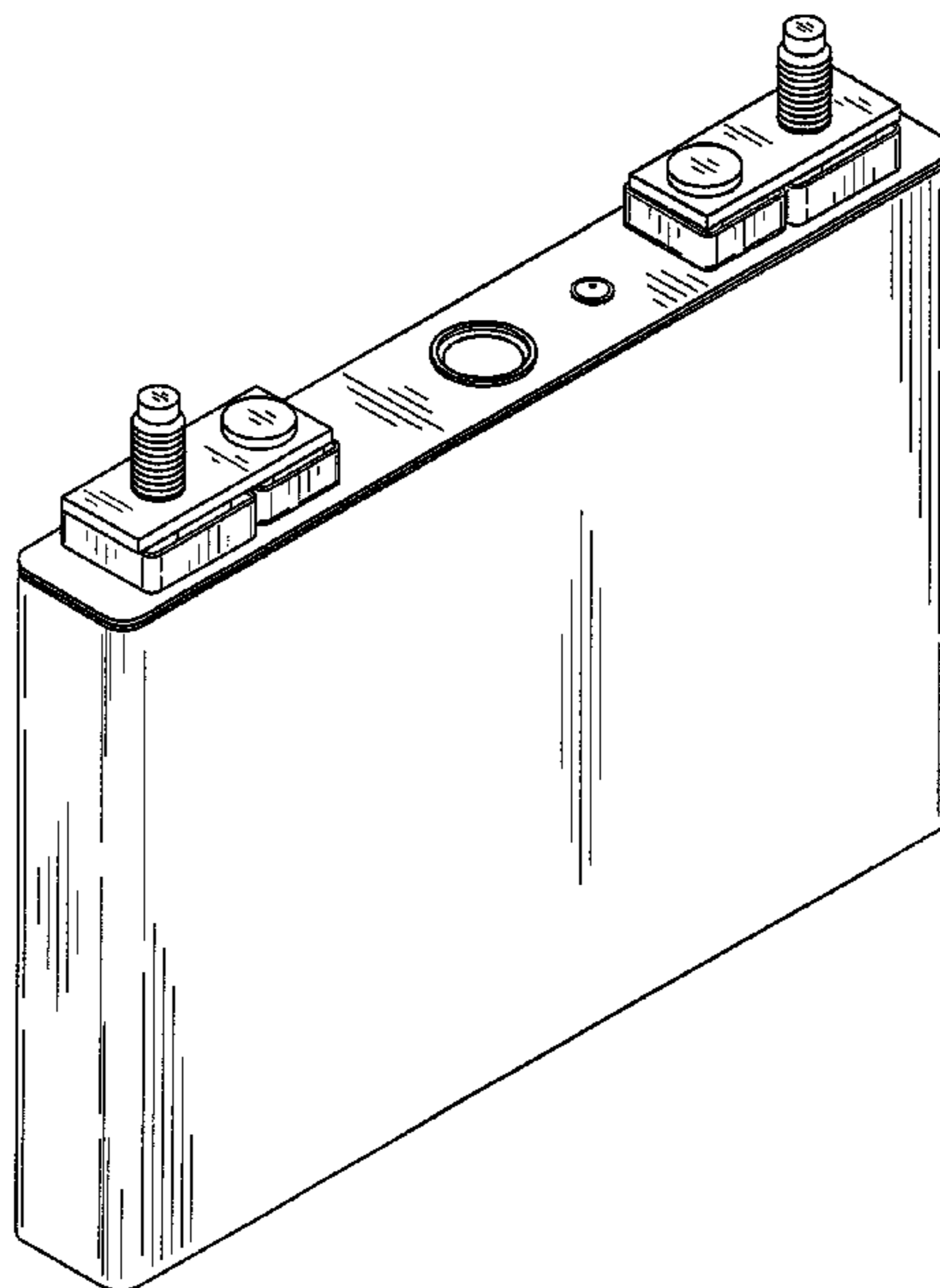
(57) **CLAIM**

The ornamental design for a storage battery, as shown and described.

DESCRIPTION

FIG. 1 is a front side perspective view of a storage battery, showing our new design;
FIG. 2 is a front side view thereof;
FIG. 3 is a rear side view thereof;
FIG. 4 is a top view thereof;
FIG. 5 is a bottom view thereof;
FIG. 6 is a right side view thereof;
FIG. 7 is a left side view thereof;
FIG. 8 is an enlarged cross-sectional view taken along the line 8-8 of FIG. 2,
FIG. 9 is an enlarged cross-sectional view taken along the line 9-9 of FIG. 2; and,
FIG. 10 is an enlarged cross-sectional view taken along the line 10-10 of FIG. 2 and line 10-10 of FIG. 4.

1 Claim, 6 Drawing Sheets



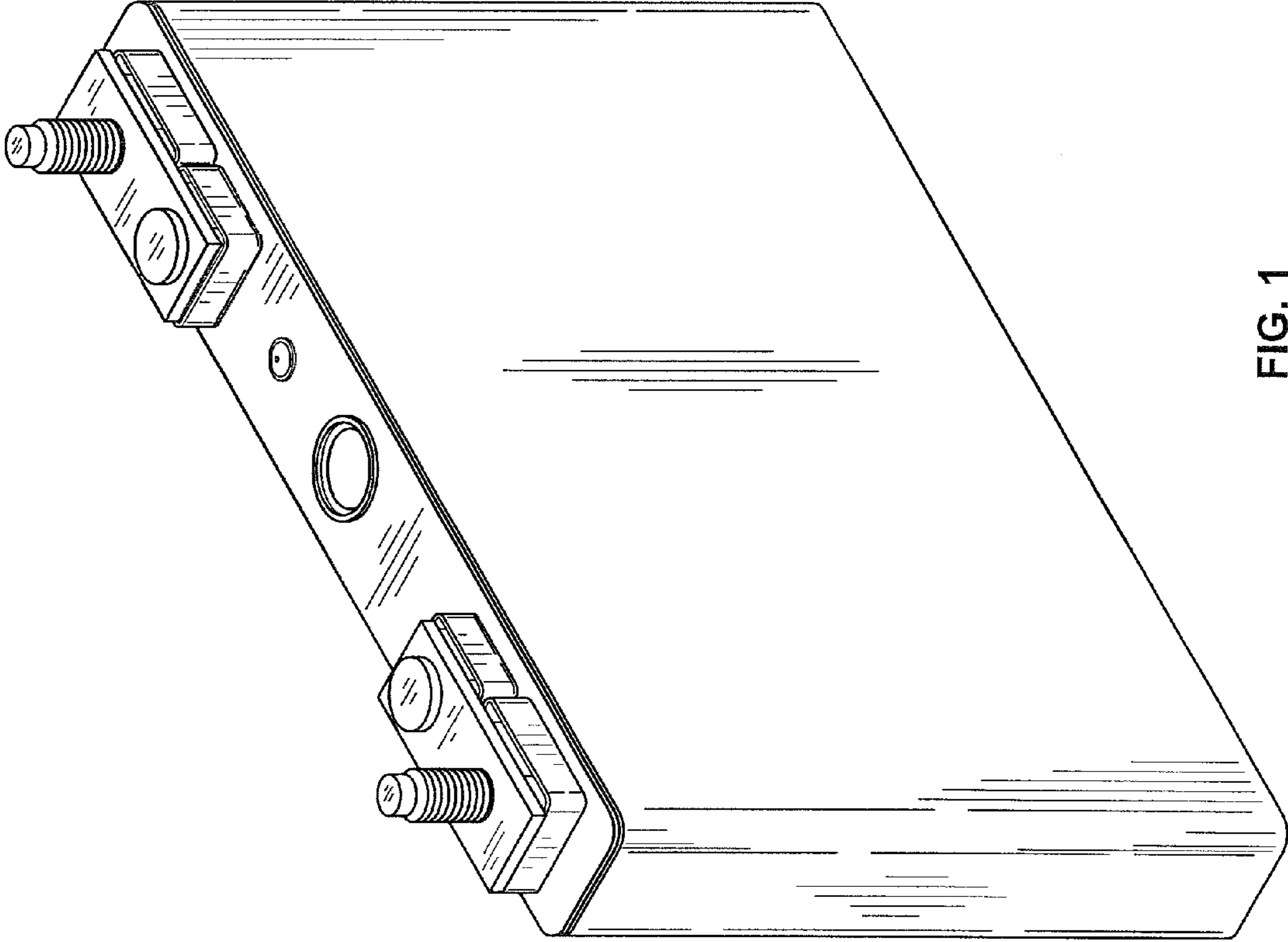


FIG. 1

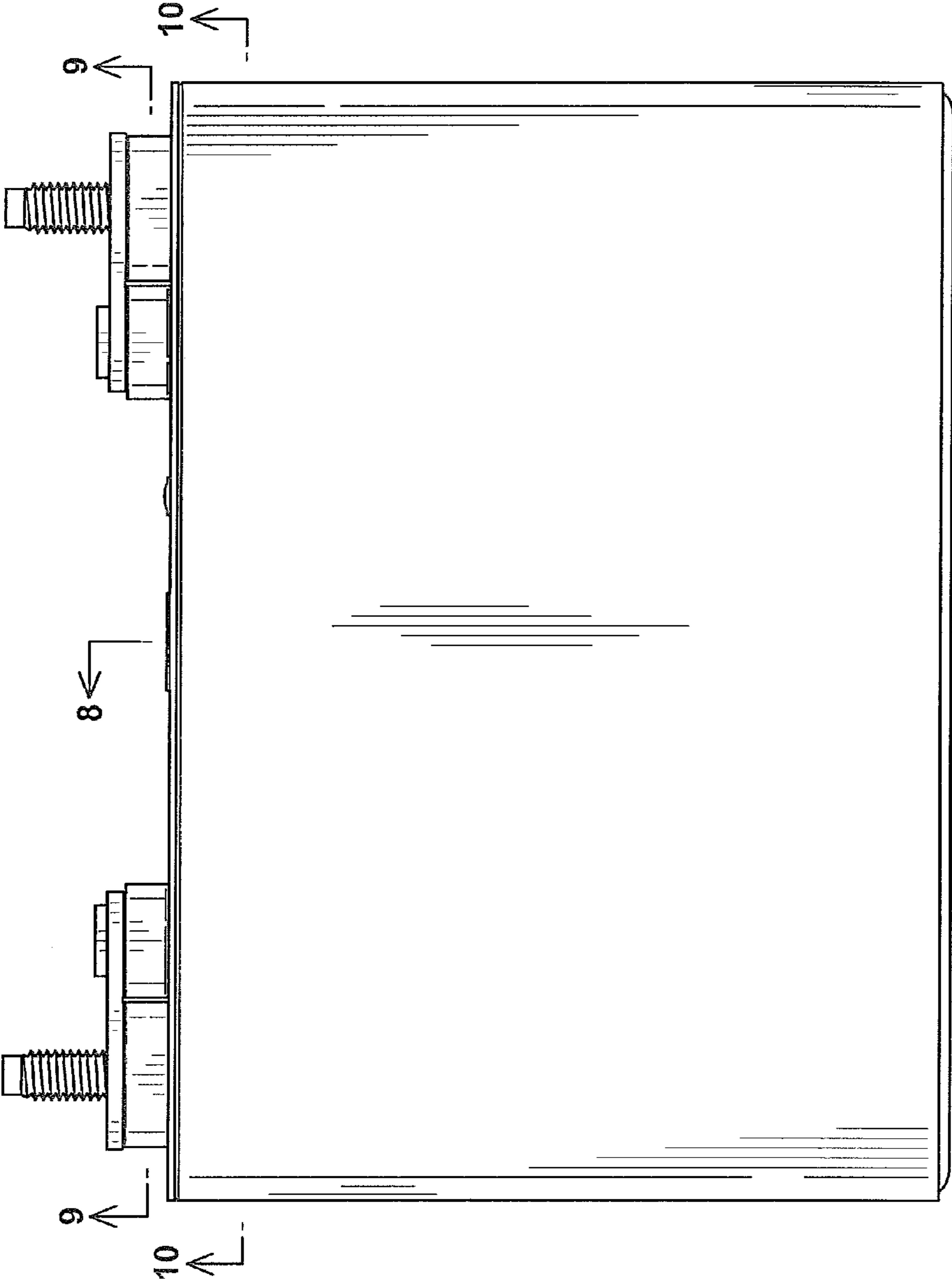


FIG. 2

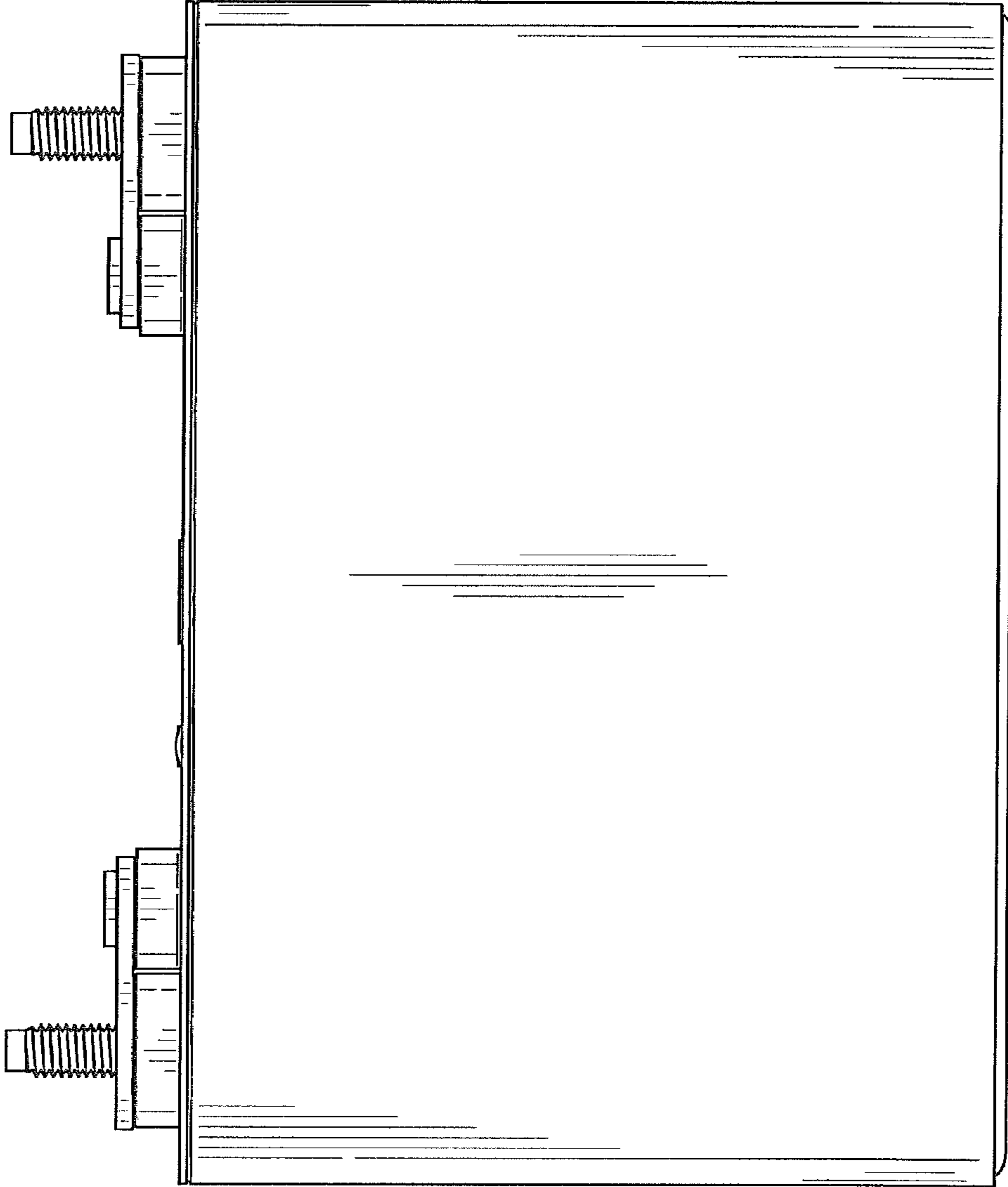


FIG. 3

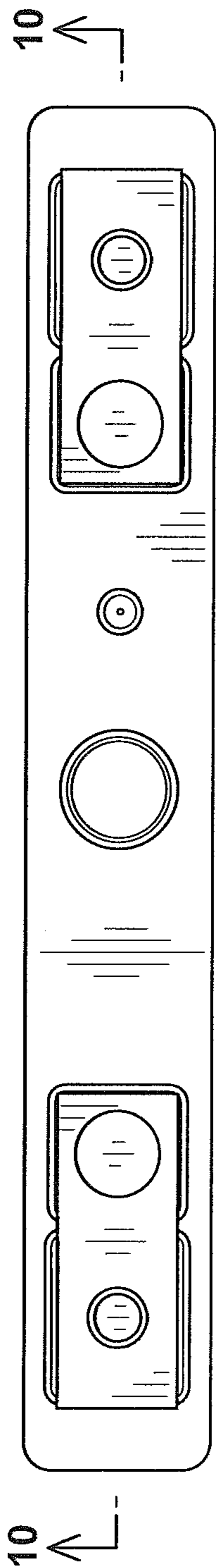


FIG. 4

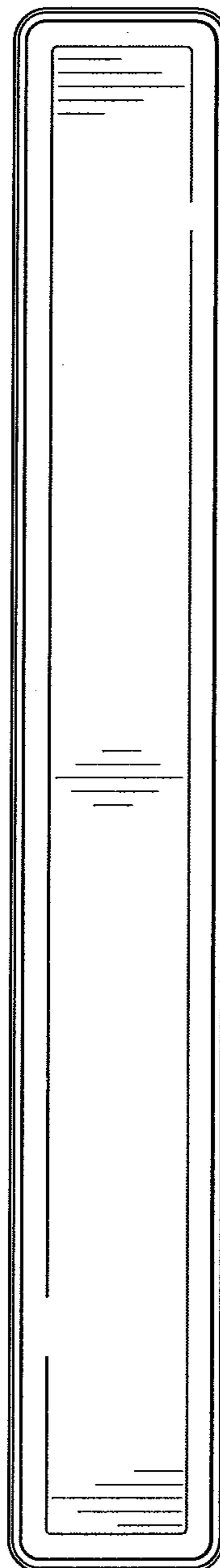


FIG. 5

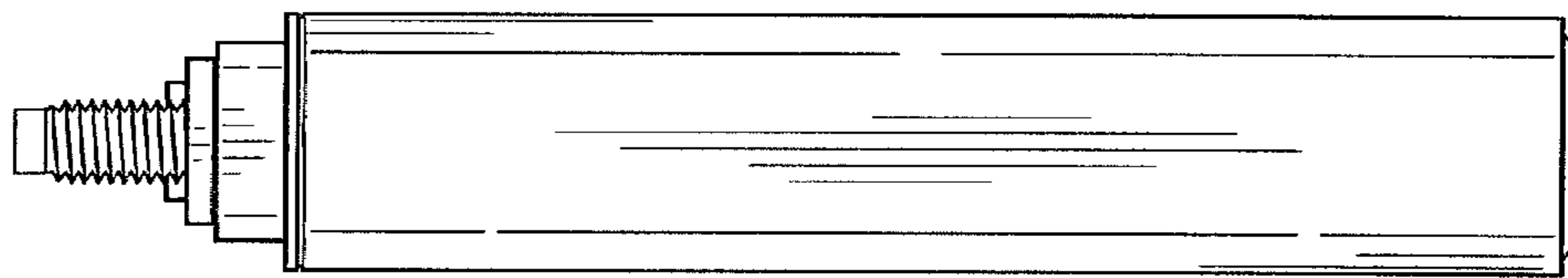


FIG. 7

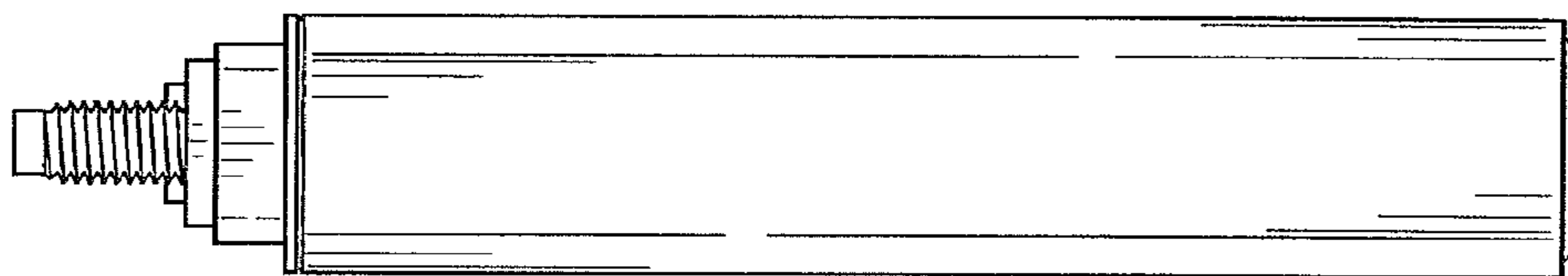


FIG. 6

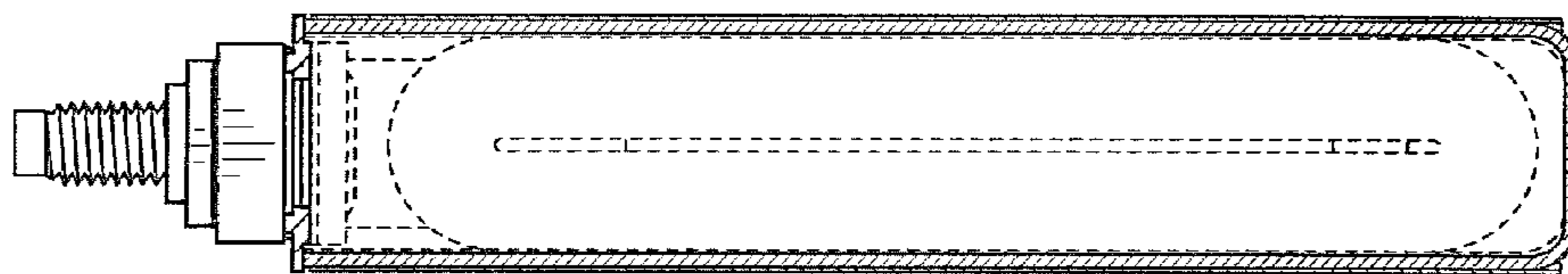


FIG. 8



FIG. 9

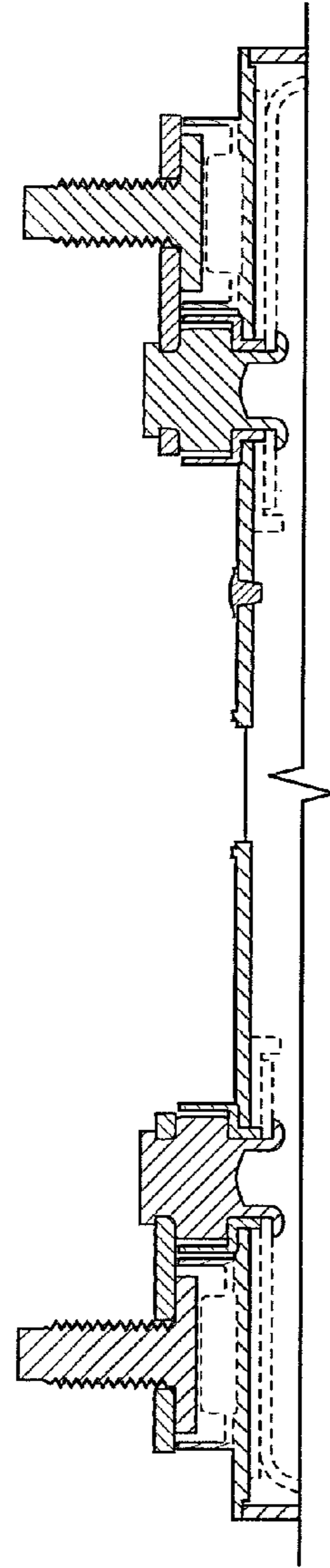


FIG. 10