



US00D704624S

(12) **United States Design Patent**  
**Miyazaki**

(10) **Patent No.:** **US D704,624 S**

(45) **Date of Patent:** **\*\* May 13, 2014**

(54) **TIRE**

(75) Inventor: **Tetsuji Miyazaki**, Osaka (JP)

(73) Assignee: **Toyo Tire & Rubber Co., Ltd.**, Osaka (JP)

(\*\*) Term: **14 Years**

(21) Appl. No.: **29/426,098**

(22) Filed: **Jun. 29, 2012**

(30) **Foreign Application Priority Data**

Apr. 18, 2012 (JP) ..... 2012-009075

(51) **LOC (10) Cl.** ..... **12-15**

(52) **U.S. Cl.**  
USPC ..... **D12/590**

(58) **Field of Classification Search**  
USPC ..... D12/551-556, 568-605, 900-901;  
152/209.1-209.9, 209.11-209.19,  
152/209.21-209.28, 455  
See application file for complete search history.

(56) **References Cited**

**U.S. PATENT DOCUMENTS**

D301,855 S *	6/1989	Ono	.....	D12/590
D413,089 S *	8/1999	Matsuda	.....	D12/590
D454,834 S *	3/2002	Saito et al.	.....	D12/590
D513,402 S *	1/2006	Shirouzu	.....	D12/590
D537,406 S *	2/2007	Reim	.....	D12/555
D612,327 S *	3/2010	Yonetsu	.....	D12/590

D646,626 S *	10/2011	Murata	.....	D12/586
D659,084 S *	5/2012	Graas et al.	.....	D12/590
D669,024 S *	10/2012	Oji	.....	D12/590

**FOREIGN PATENT DOCUMENTS**

JP	D1331627	6/2008
JP	D1334101	6/2008
JP	D1349957	2/2009

\* cited by examiner

*Primary Examiner* — Stacia Cadmus

(74) *Attorney, Agent, or Firm* — Sterne, Kessler, Goldstein & Fox PLLC

(57) **CLAIM**

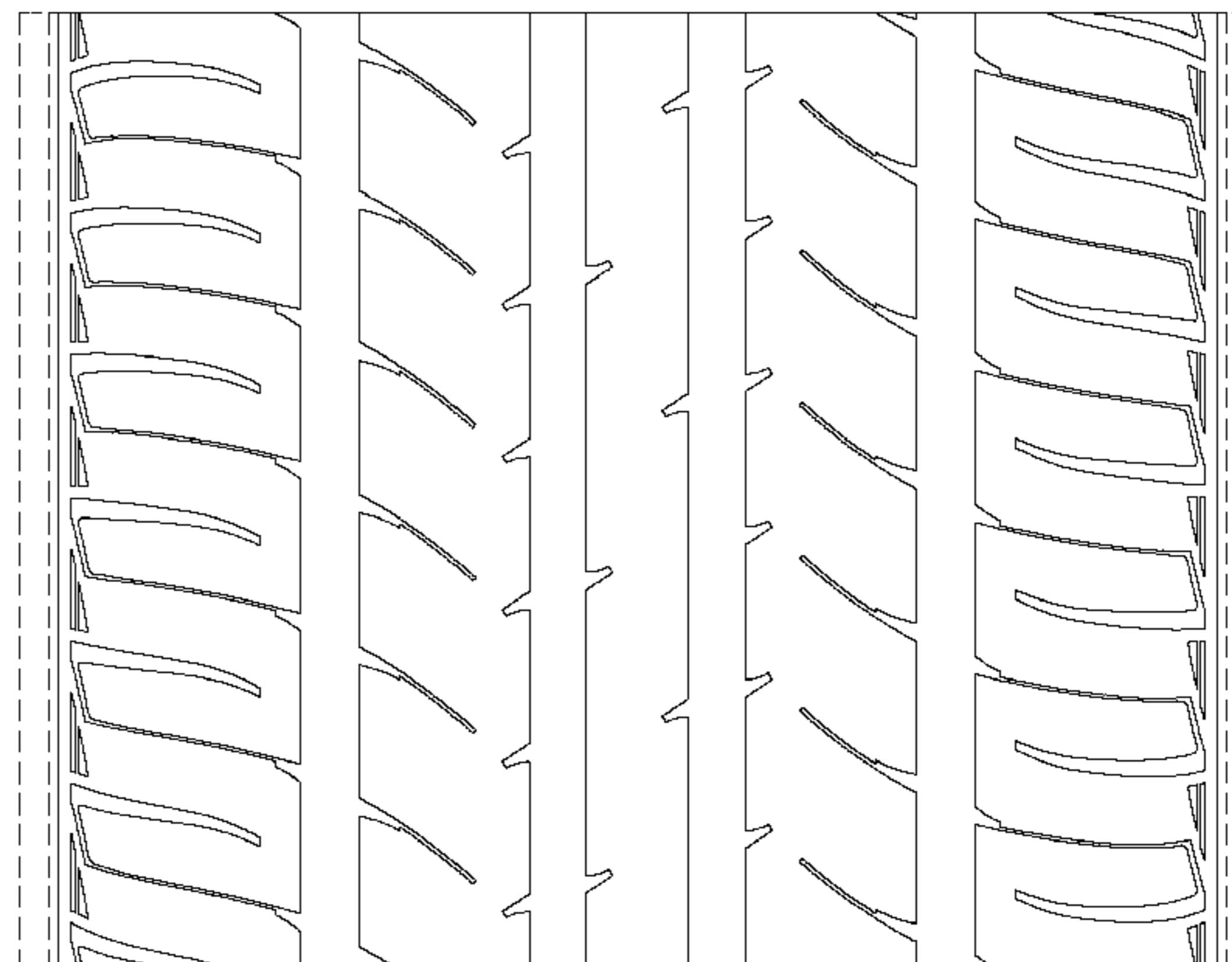
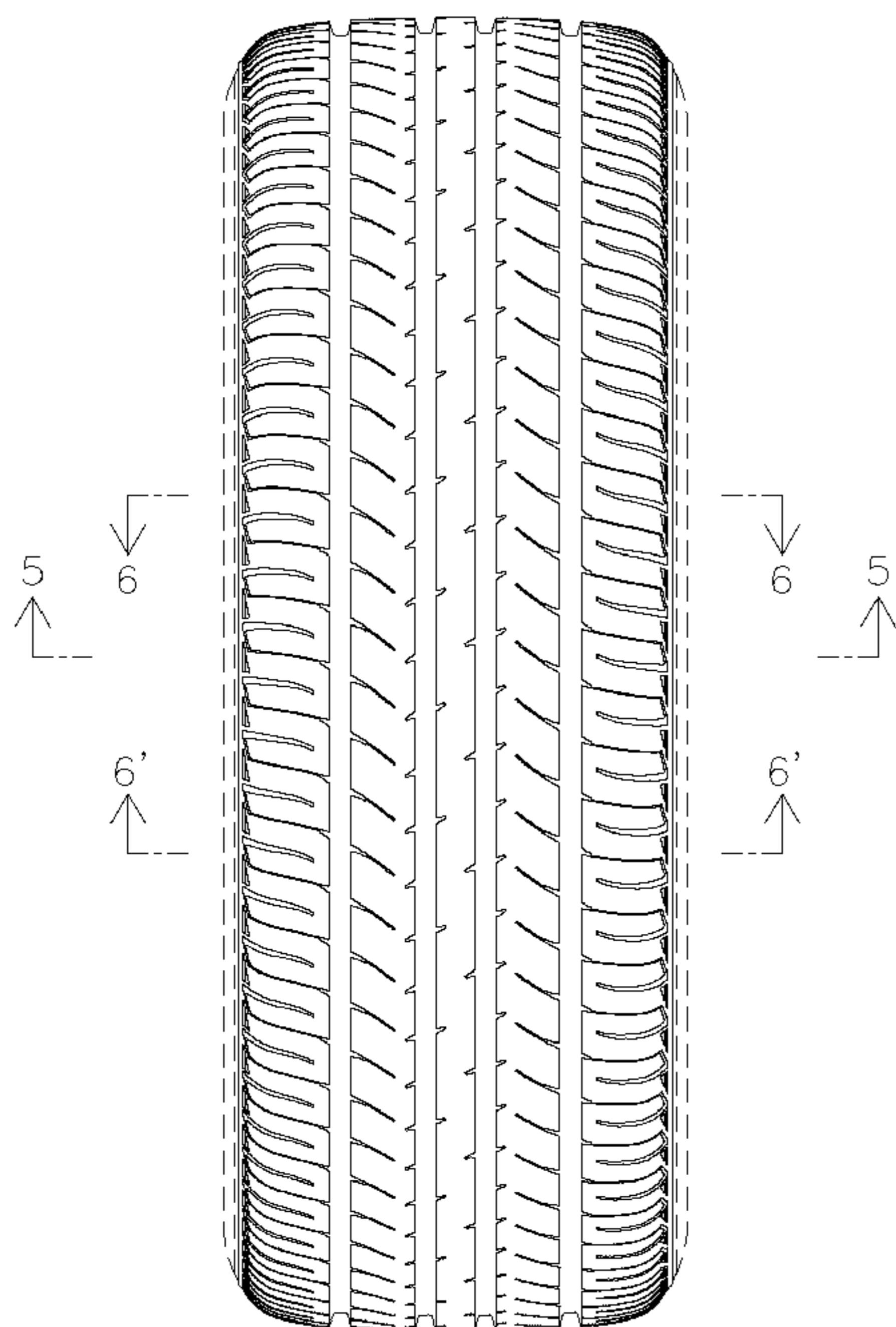
The ornamental design for a tire, as shown and described.

**DESCRIPTION**

FIG. 1 is a perspective view of a tire showing my new design; FIG. 2 is a front view thereof, for which the rear view is the same; FIG. 3 is a top plan view thereof, for which the bottom plan view is the same; FIG. 4 is a right side view thereof, for which the left side view is the same; FIG. 5 is a cross-sectional view taken along line 5-5 in FIG. 2 and line 5'-5' in FIG. 4; and, FIG. 6 is an enlarged view taken along lines 6-6 and 6'-6' in FIG. 2.

In the drawings, the broken lines showing portions of the sidewall, and inner bead depict environmental subject matter that forms no part of the claimed design.

**1 Claim, 6 Drawing Sheets**



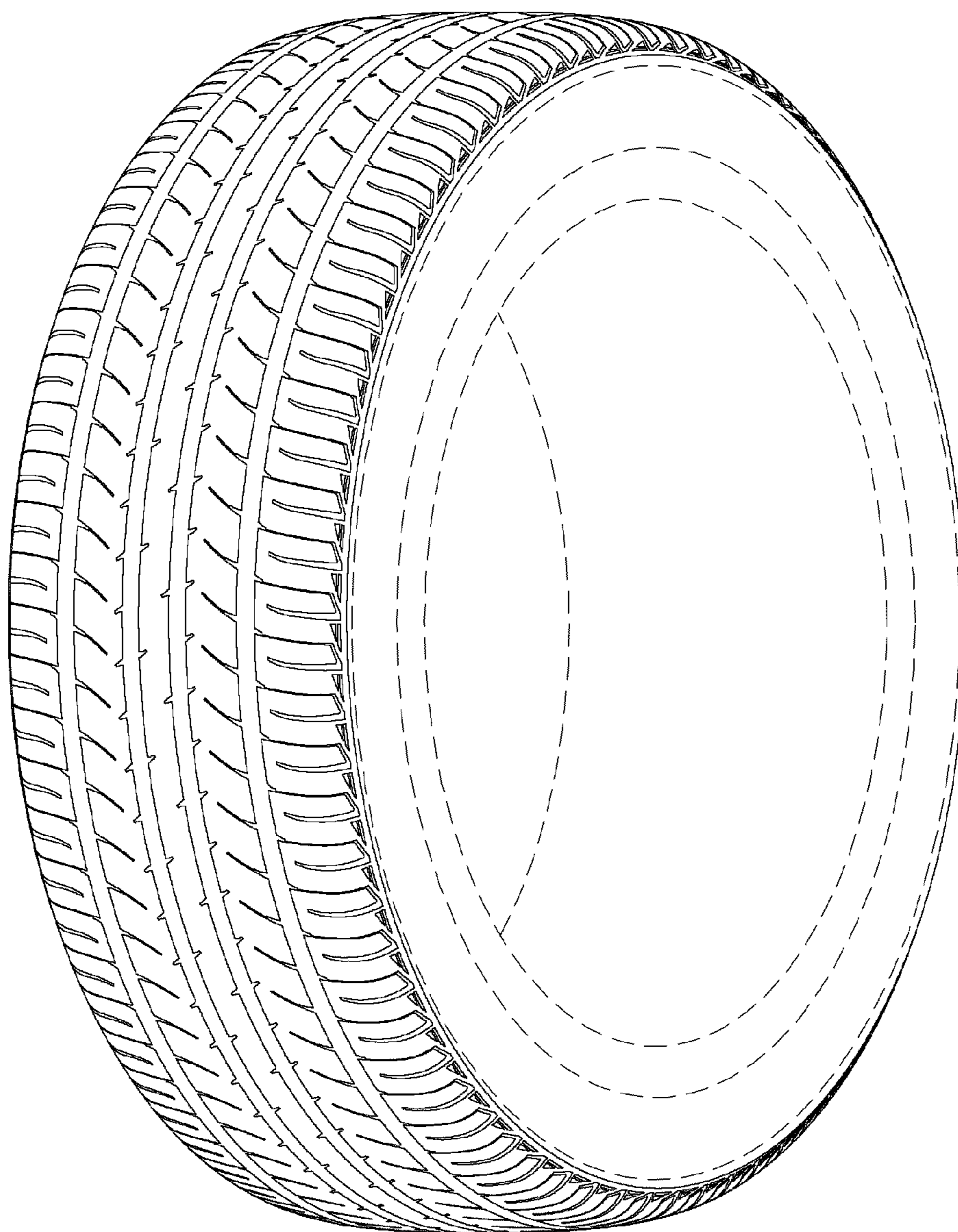


FIG. 1

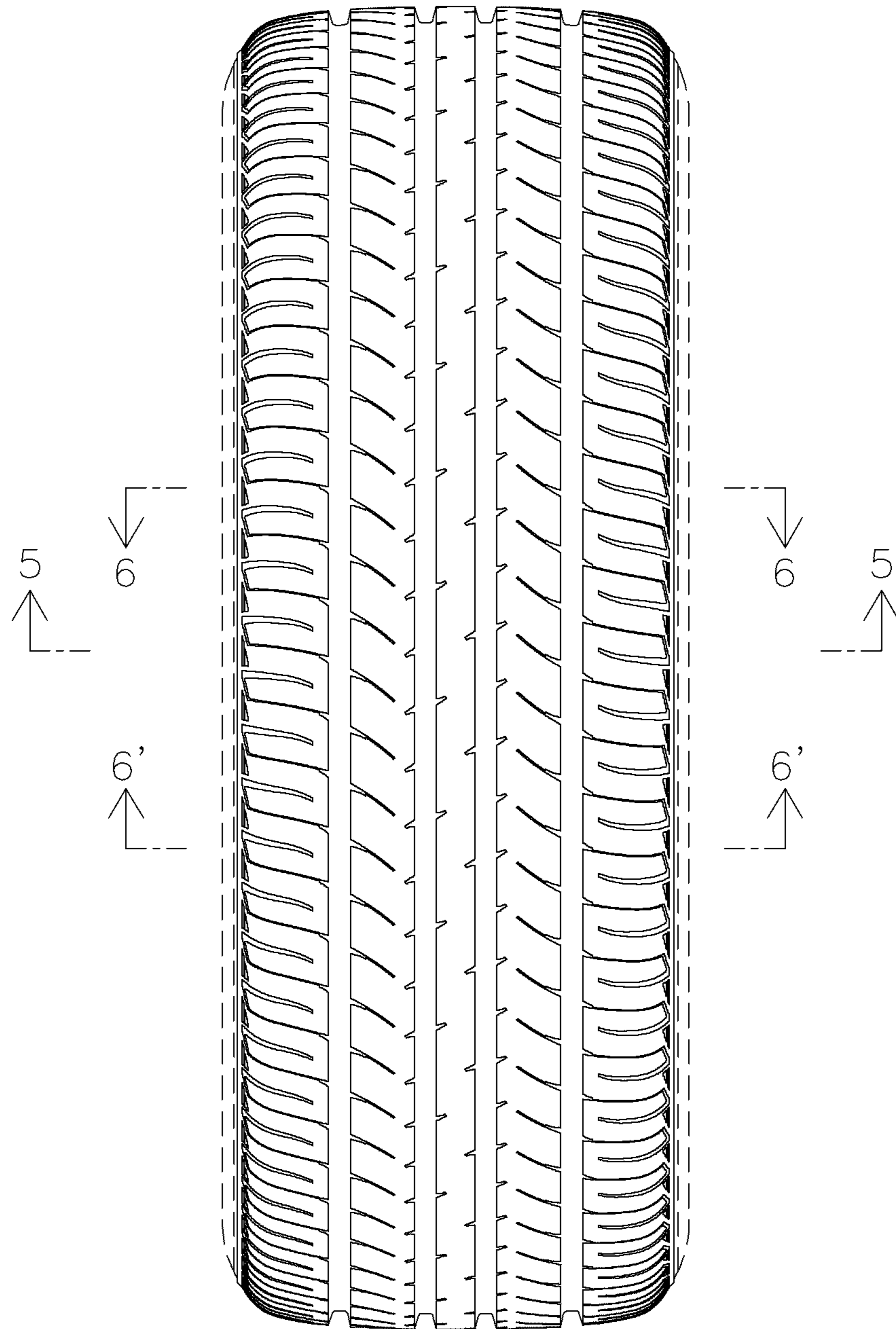


FIG. 2

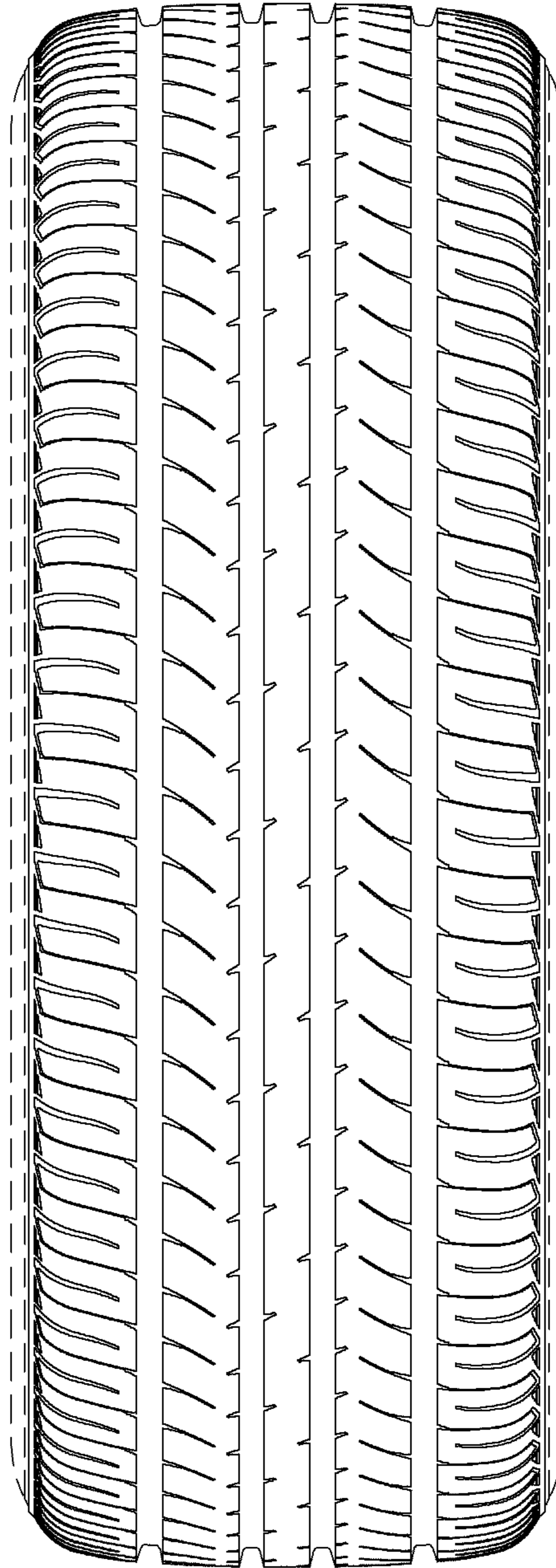


FIG. 3

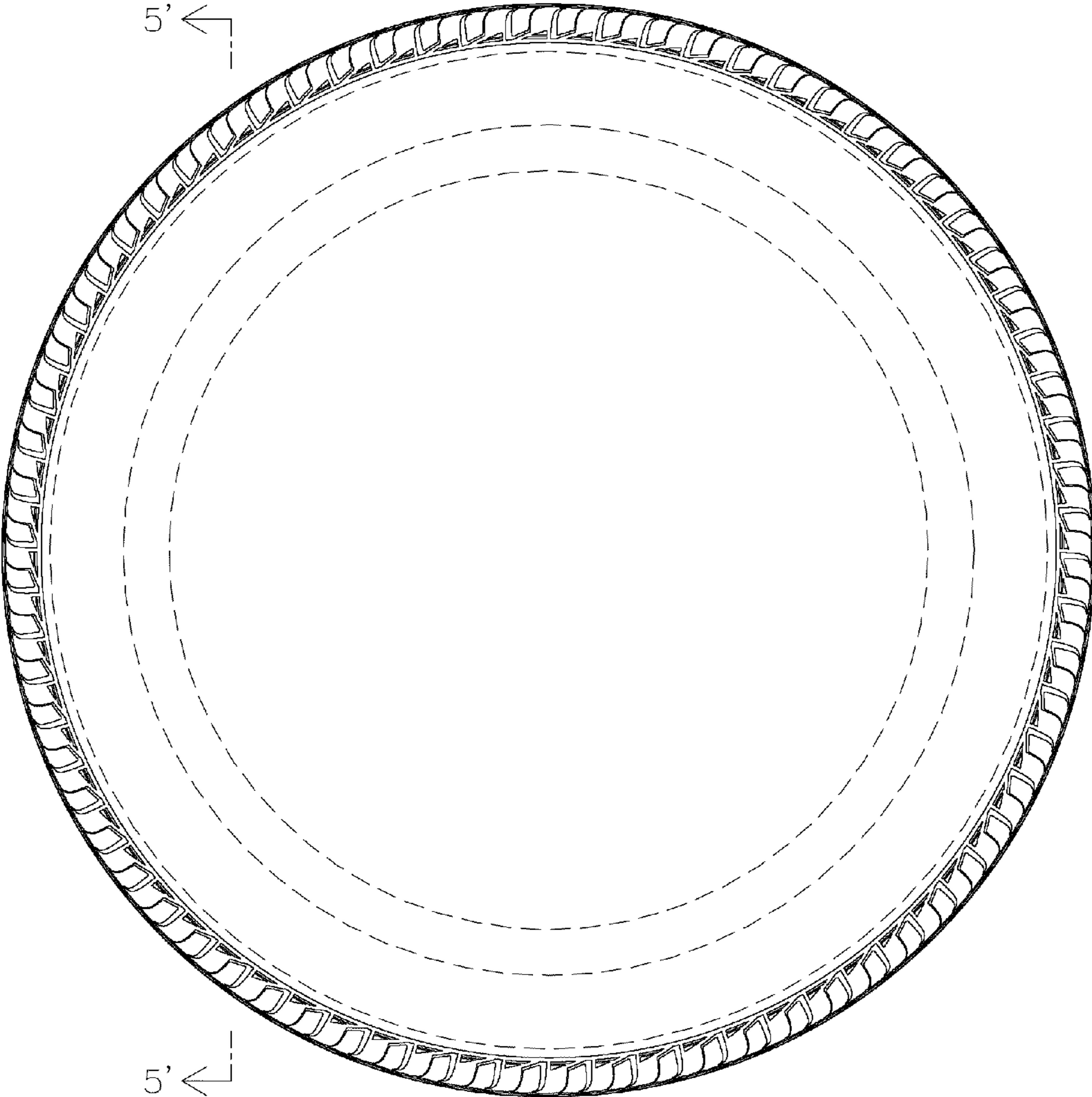


FIG. 4

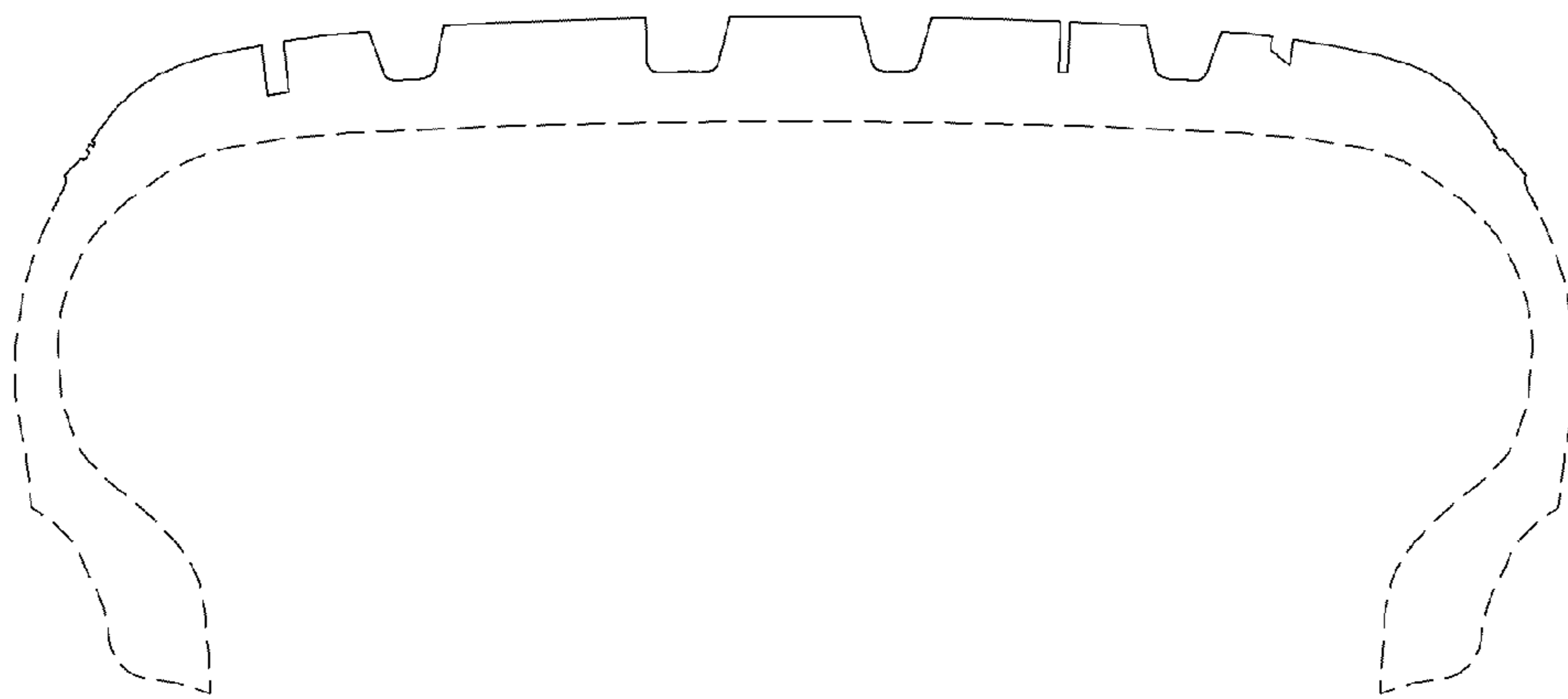


FIG. 5

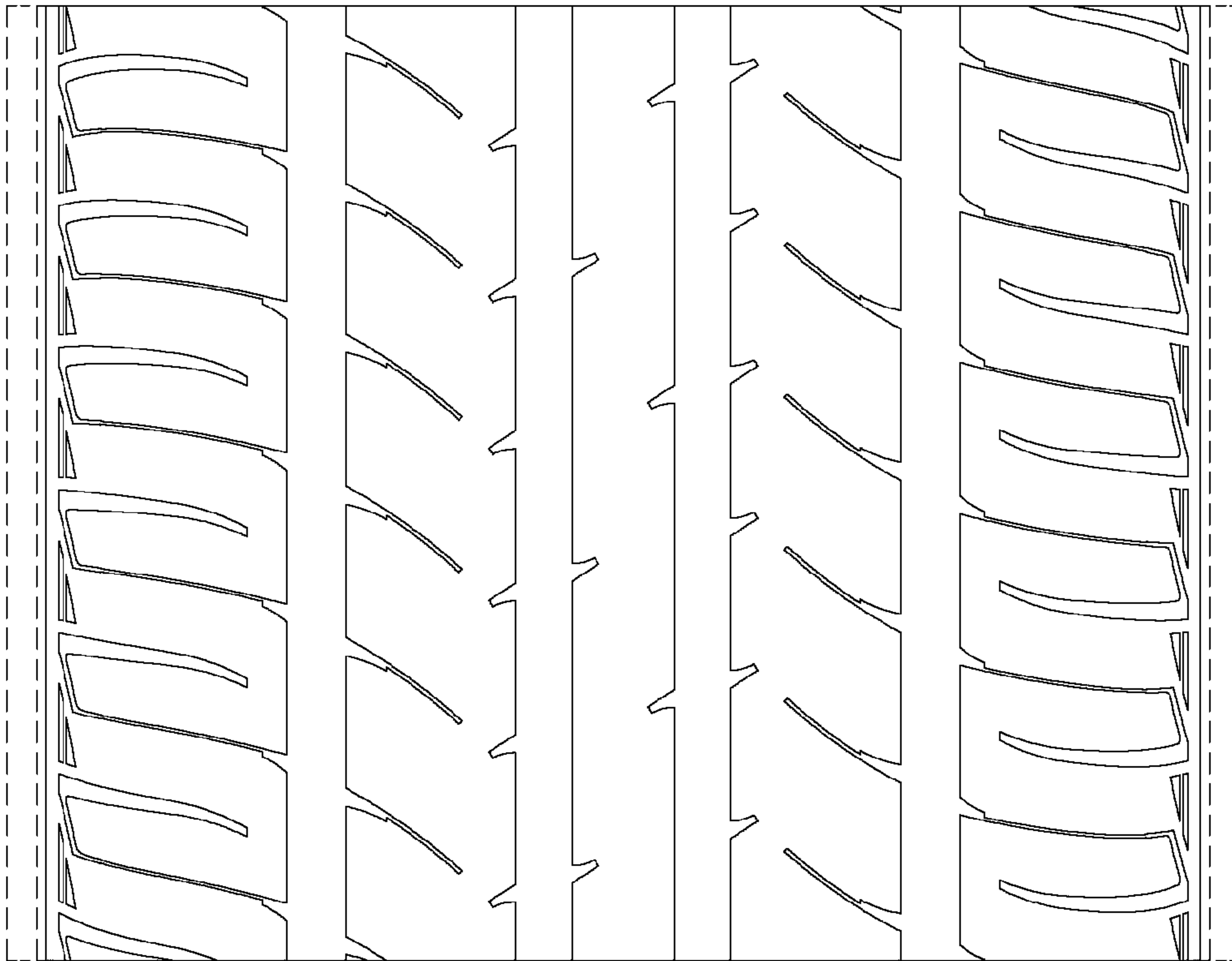


FIG. 6