

US00D704621S

(12) **United States Design Patent**
Taylor

(10) **Patent No.:** **US D704,621 S**

(45) **Date of Patent:** **** May 13, 2014**

(54) **AIRPLANE WING PROTECTOR**

(71) Applicant: **Steve B. Taylor**, Albuquerque, NM (US)

(72) Inventor: **Steve B. Taylor**, Albuquerque, NM (US)

(**) Term: **14 Years**

(21) Appl. No.: **29/435,941**

(22) Filed: **Oct. 31, 2012**

(51) **LOC (10) Cl.** **12-07**

(52) **U.S. Cl.**
USPC **D12/345**; D12/197; D12/218

(58) **Field of Classification Search**
USPC D12/197, 218, 345; D15/150; D10/96;
141/286, 369, 370, 371, 372; 220/86.1;
244/235 A

See application file for complete search history.

(56) **References Cited**

U.S. PATENT DOCUMENTS

5,195,785	A *	3/1993	Jellison	285/80
5,327,946	A *	7/1994	Perkins	141/59
D381,004	S *	7/1997	Foltz	D12/197
D403,643	S *	1/1999	Foltz	D12/197
D415,989	S *	11/1999	Foltz	D12/197
D429,678	S *	8/2000	Foltz	D12/197
D460,011	S *	7/2002	Rashed	D10/96
D466,468	S *	12/2002	Watson	D12/218

D567,728	S *	4/2008	Huston	D12/197
7,721,772	B2 *	5/2010	Cardozo	141/286
D632,630	S *	2/2011	Watson	D12/218

* cited by examiner

Primary Examiner — Caron D Veynar

Assistant Examiner — Martie K Holtje

(74) *Attorney, Agent, or Firm* — Rod D. Baker

(57) **CLAIM**

The ornamental design for an airplane wing protector, as shown and described.

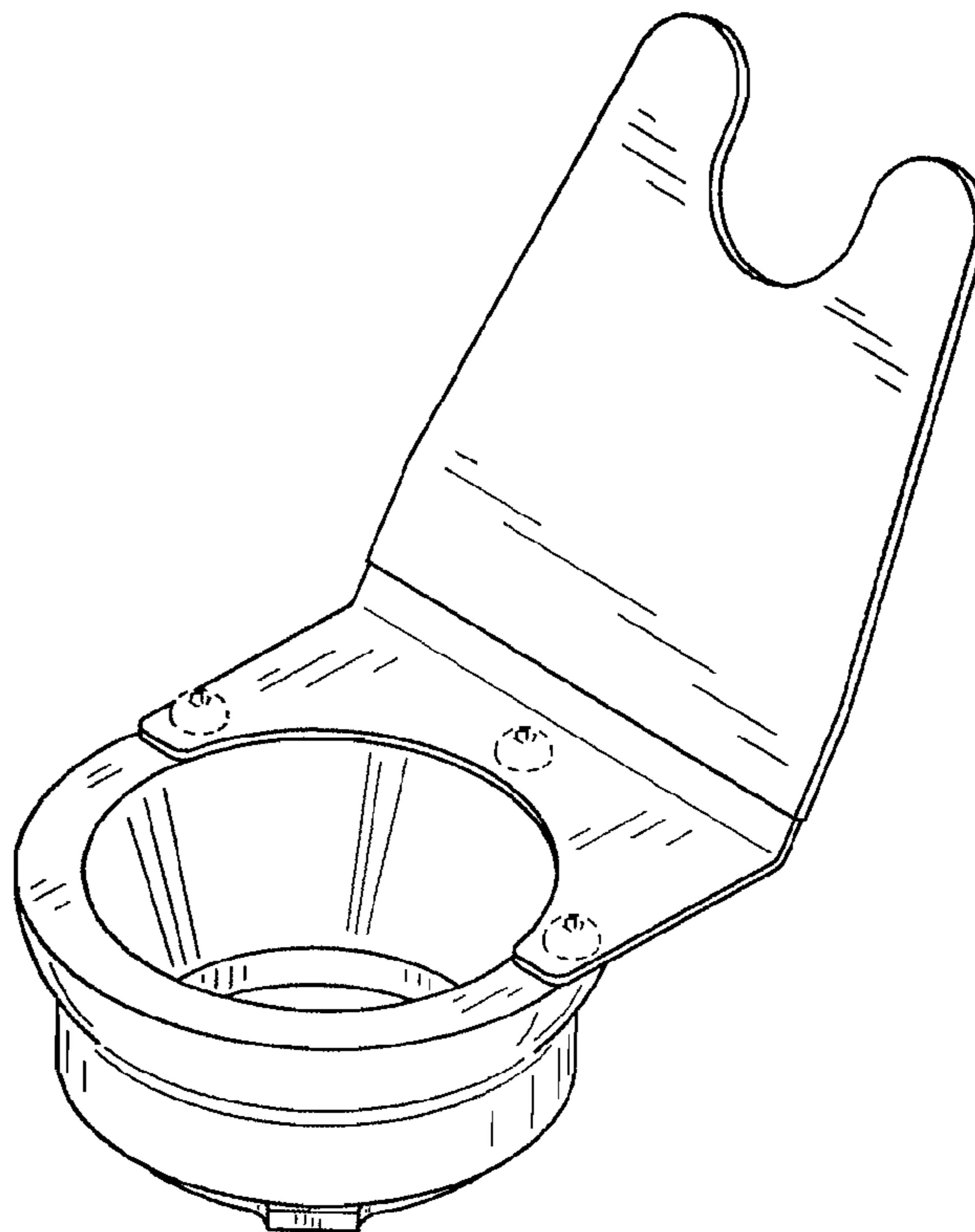
DESCRIPTION

FIG. 1 is a right front perspective view of an airplane wing protector showing my new design; FIG. 2 is a front elevational view thereof; FIG. 3 is a rear elevational view thereof; FIG. 4 is a right side elevational view thereof; FIG. 5 is a left side elevational view thereof; FIG. 6 is a top plan view thereof; and, FIG. 7 is a bottom plan view thereof.

The elements depicted by broken lines in the figures have been shown for the purpose of illustrating portions of the airplane wing protector that form no part of the claimed design.

The thin solid lines represent the uniformity of the flat surfaces and the contour of the curved surfaces and are not a claimed surface pattern.

1 Claim, 4 Drawing Sheets



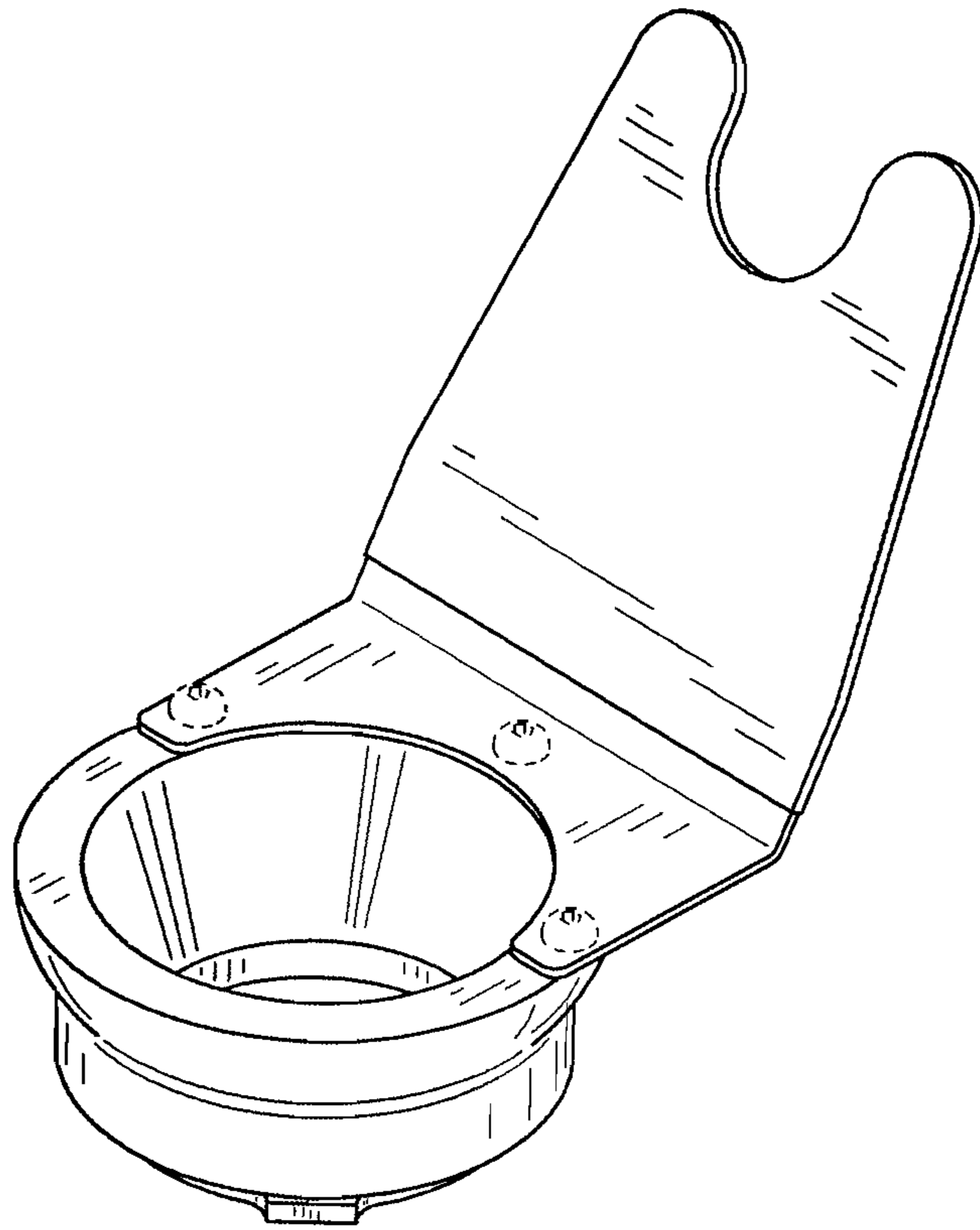


FIG.1

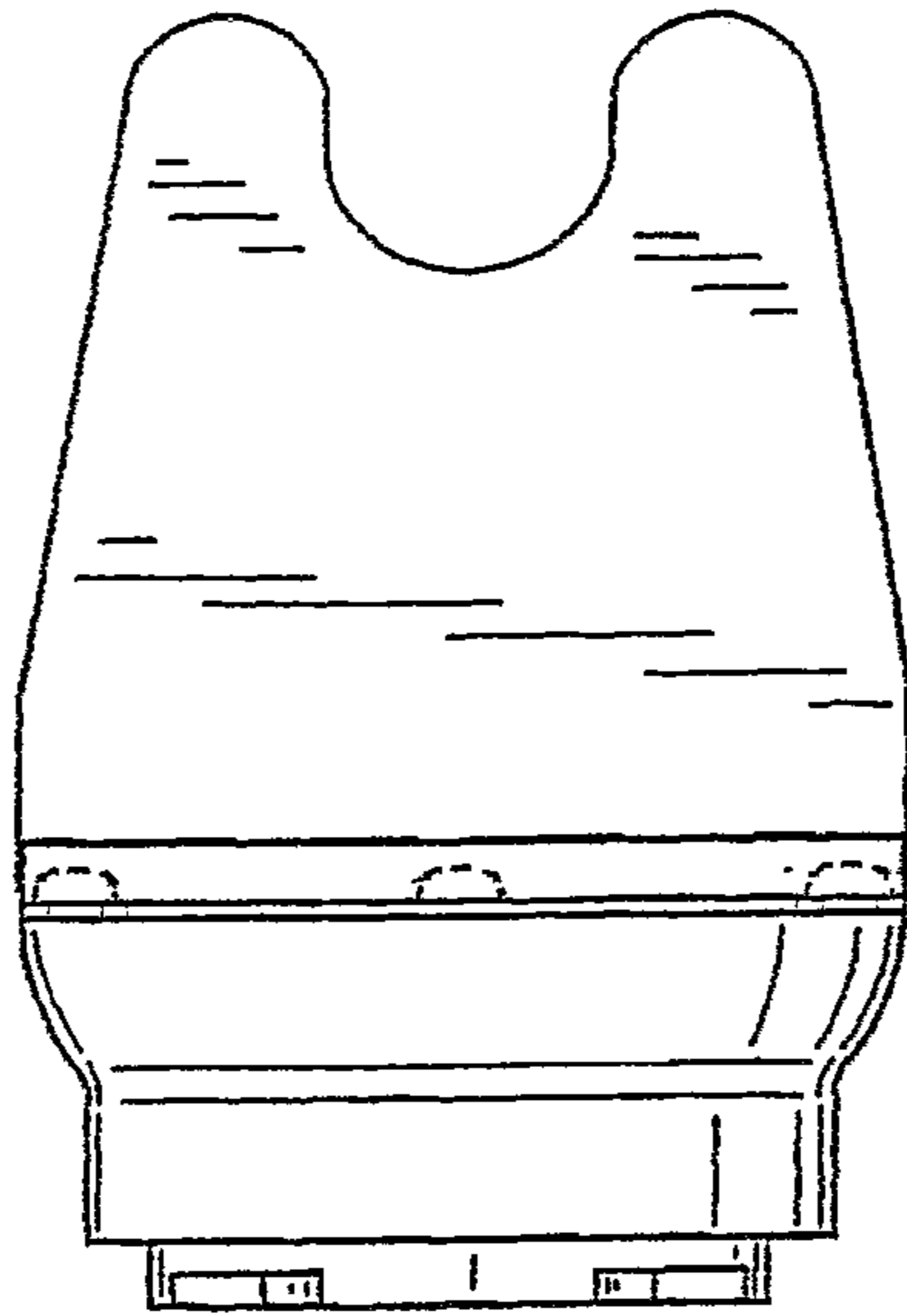


FIG. 2

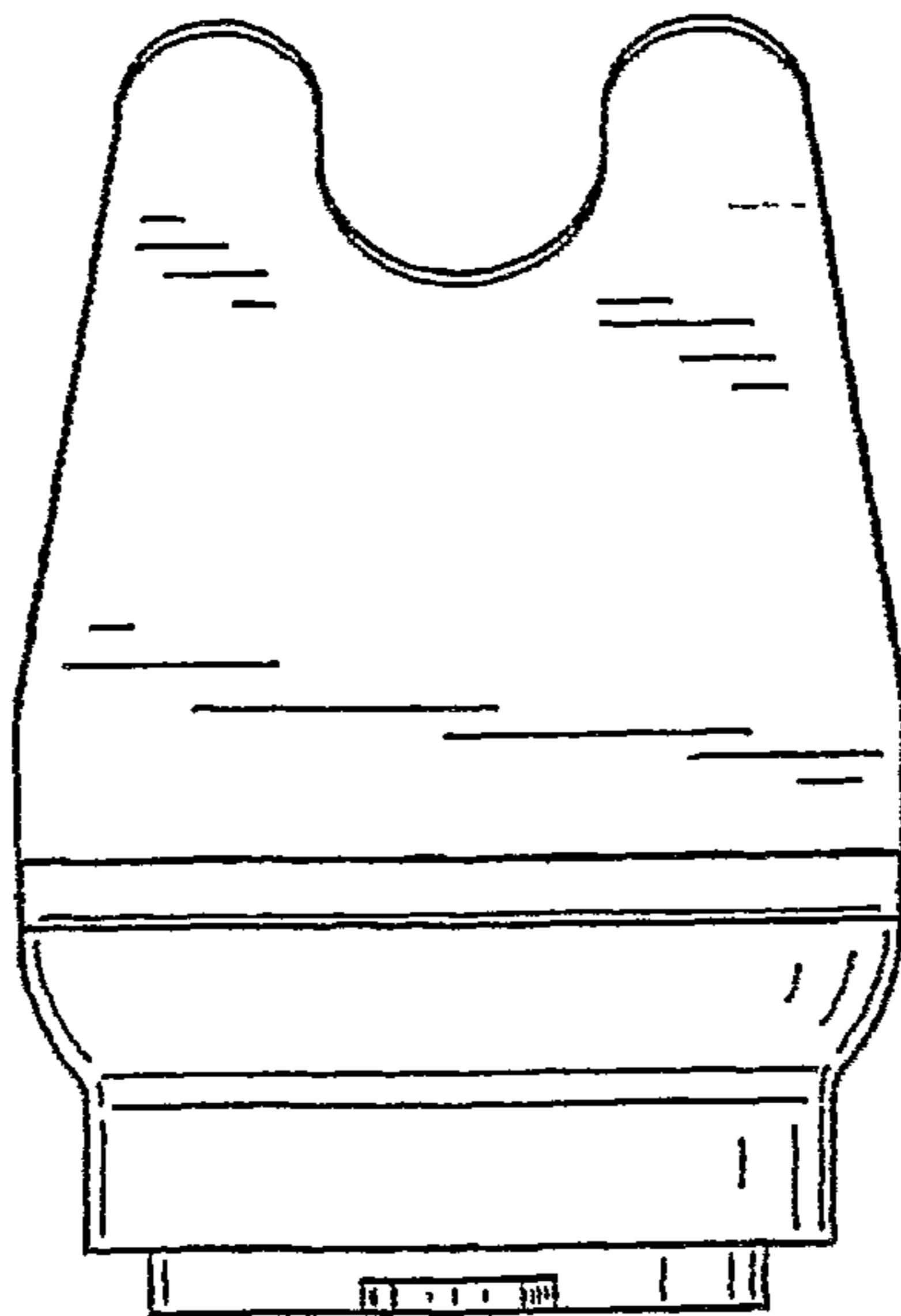


FIG. 3

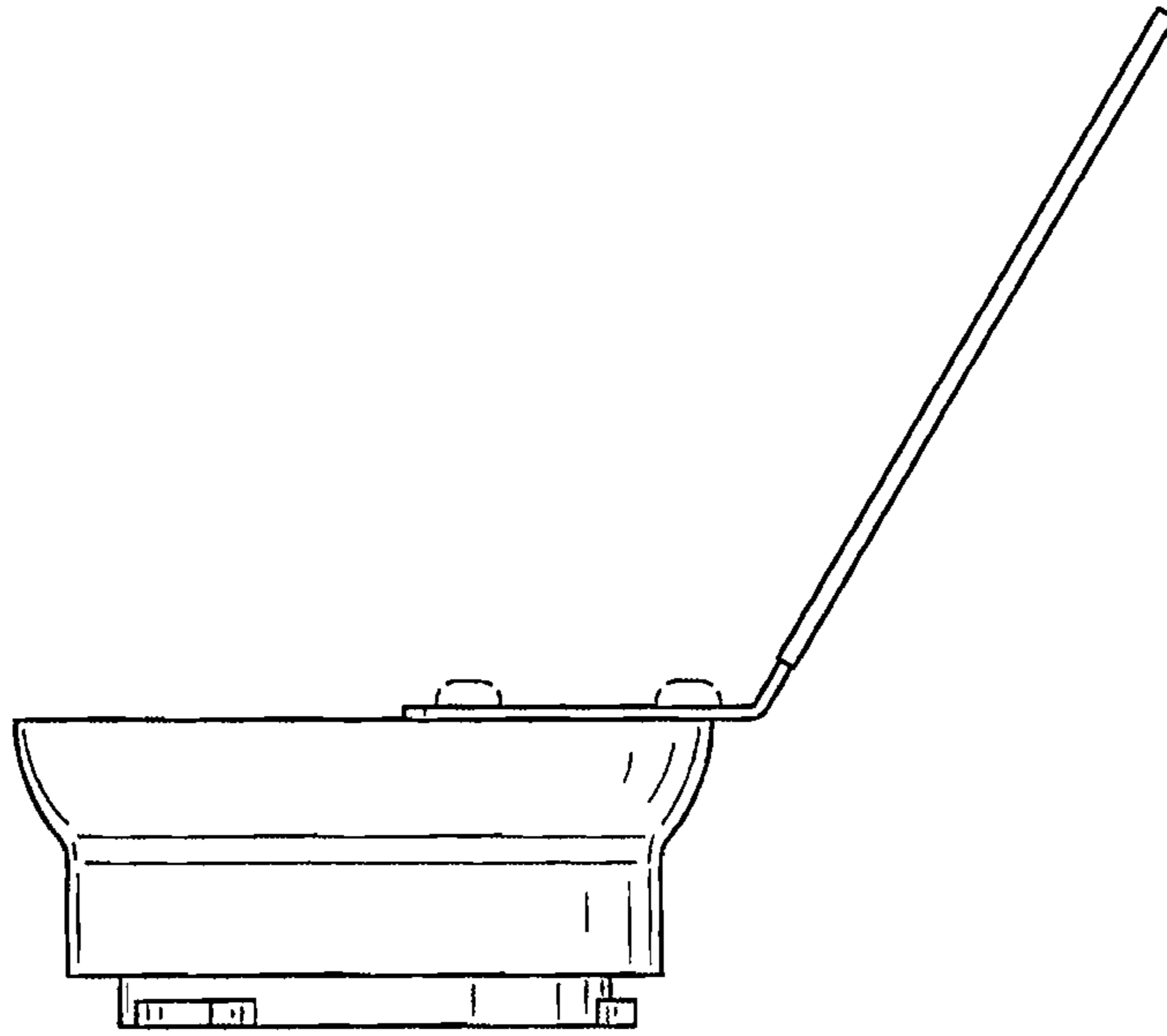


FIG. 4

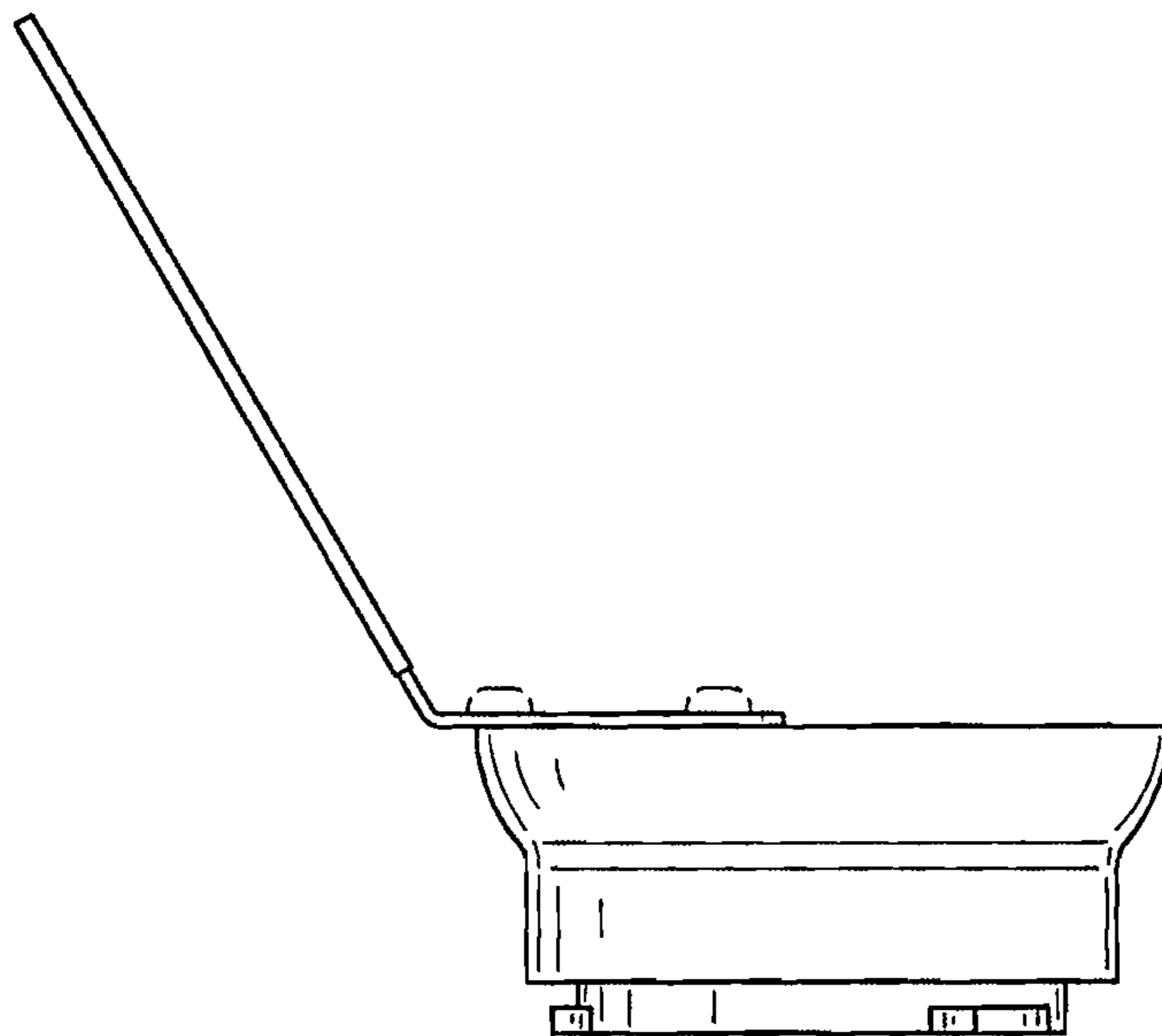


FIG. 5

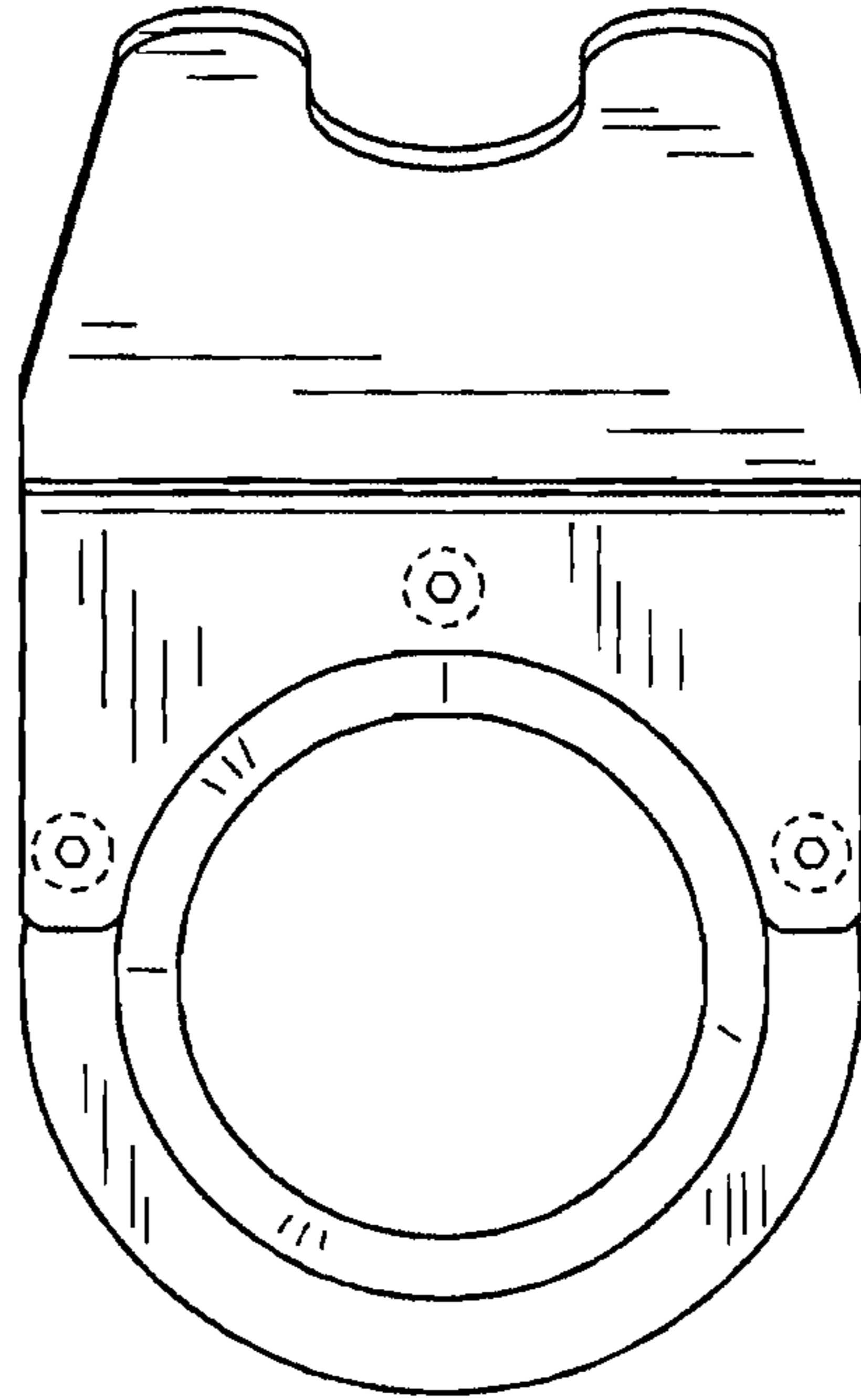


FIG. 6

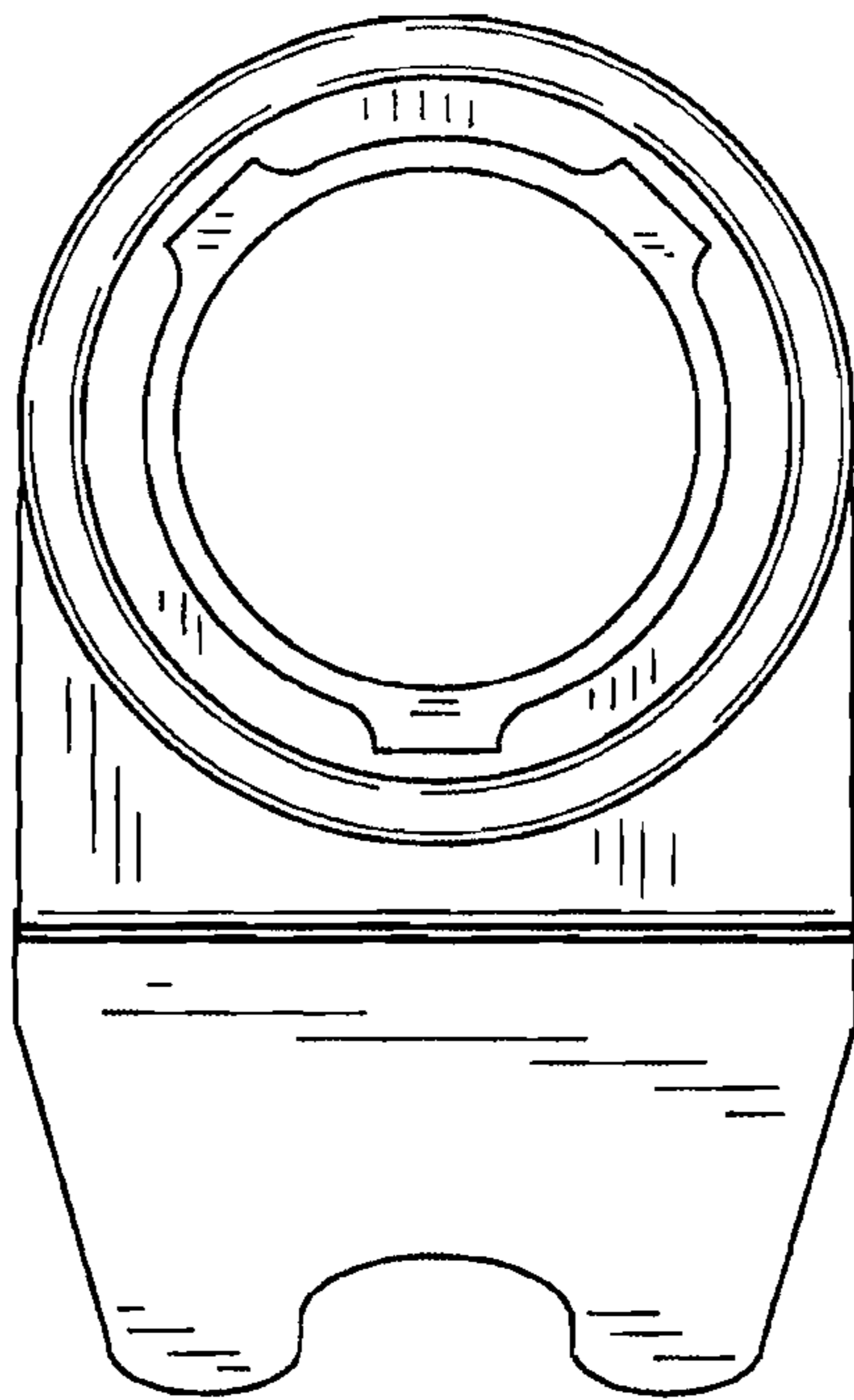


FIG. 7