



US00D704619S

(12) **United States Design Patent**
Kim

(10) **Patent No.:** **US D704,619 S**
(45) **Date of Patent:** **** May 13, 2014**

(54) **ARM-BINDING CONNECTOR FOR
AUTOMOBILE WINDSHIELD WIPER**

(71) Applicant: **ADM21 Co., Ltd.**, Chungcheongnam-do
(KR)

(72) Inventor: **In-Kyu Kim**, Gyeonggi-do (KR)

(73) Assignees: **ADM21 Co., Ltd.**, Chungcheongnam-do
(KR); **In-Kyu Kim**, Gyeonggi-do (KR)

(**) Term: **14 Years**

(21) Appl. No.: **29/452,148**

(22) Filed: **Apr. 12, 2013**

(30) **Foreign Application Priority Data**

Oct. 16, 2012 (KR) 30-2012-0049131

(51) **LOC (10) Cl.** **12-06**

(52) **U.S. Cl.**
USPC **D12/220**

(58) **Field of Classification Search**

USPC D12/219-220; 15/246, 247, 250.001,
15/250.4, 250.361, 250.19, 250.48,
15/250.03, 250.31-250.33, 250.201,
15/250.451, 250.458, 250.04, 250.07,
15/250.44

See application file for complete search history.

(56) **References Cited**

U.S. PATENT DOCUMENTS

D565,494 S * 4/2008 Kim D12/220
D569,327 S * 5/2008 Lin D12/220

D587,468 S * 3/2009 van der Lande D6/303
D597,467 S * 8/2009 Grasso et al. D12/220
D597,470 S * 8/2009 Grasso et al. D12/220
D665,329 S * 8/2012 Houssat et al. D12/220
D665,330 S * 8/2012 Houssat et al. D12/220
D665,715 S * 8/2012 Houssat et al. D12/220
D694,697 S * 12/2013 Kim D12/219

* cited by examiner

Primary Examiner — Katrina A Betton

(74) *Attorney, Agent, or Firm* — Seed IP Law Group PLLC

(57) **CLAIM**

The ornamental design for an arm-binding connector for an automobile windshield wiper, as shown and described.

DESCRIPTION

FIG. 1 is an isometric view of the arm-binding connector for an automobile windshield wiper showing a new design.

FIG. 2 is a front view thereof.

FIG. 3 is a rear view thereof.

FIG. 4 is a left side view thereof.

FIG. 5 is a right side view thereof.

FIG. 6 is a top plan view thereof.

FIG. 7 is a bottom plan view thereof.

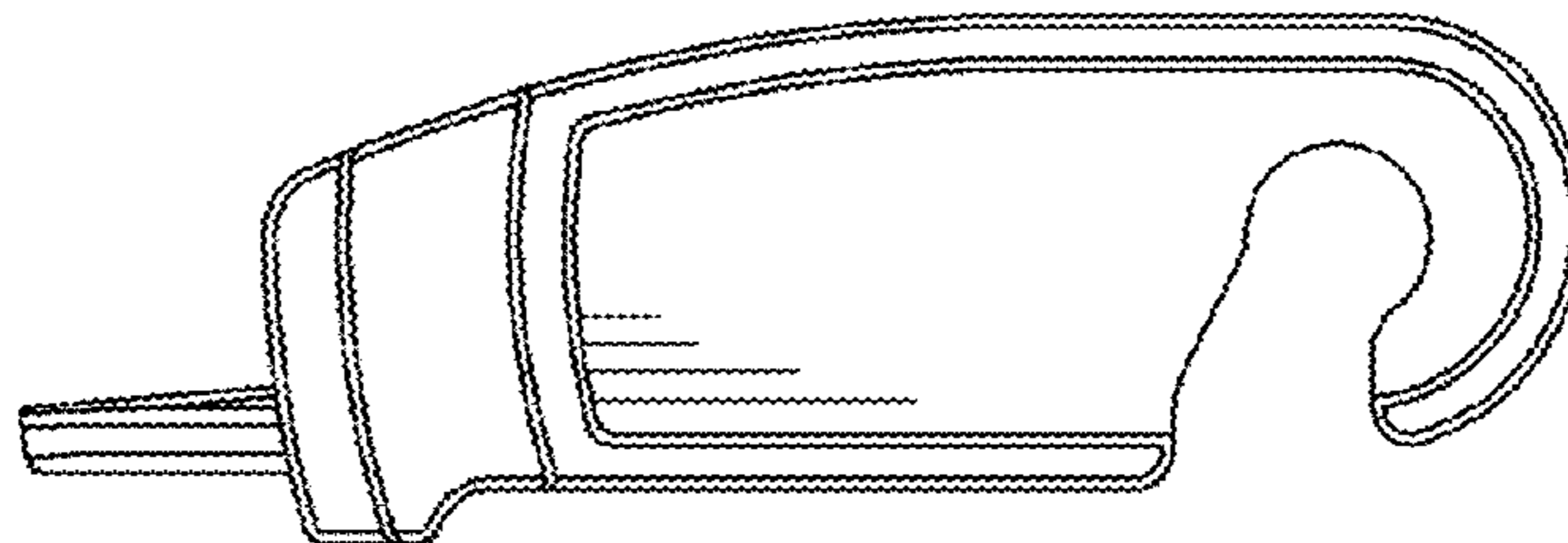
FIG. 8 is an isometric view from the lower front side showing the inner bottom portions of the design.

FIG. 9 is an isometric view from the lower rear side showing the inner bottom portions of the design; and,

FIG. 10 is an isometric view showing a state of use of the article of this design, which can be connected with a windshield wiper shown in broken lines.

The broken lines in the figures are for illustrative purposes only and form no part of the claimed design.

1 Claim, 4 Drawing Sheets



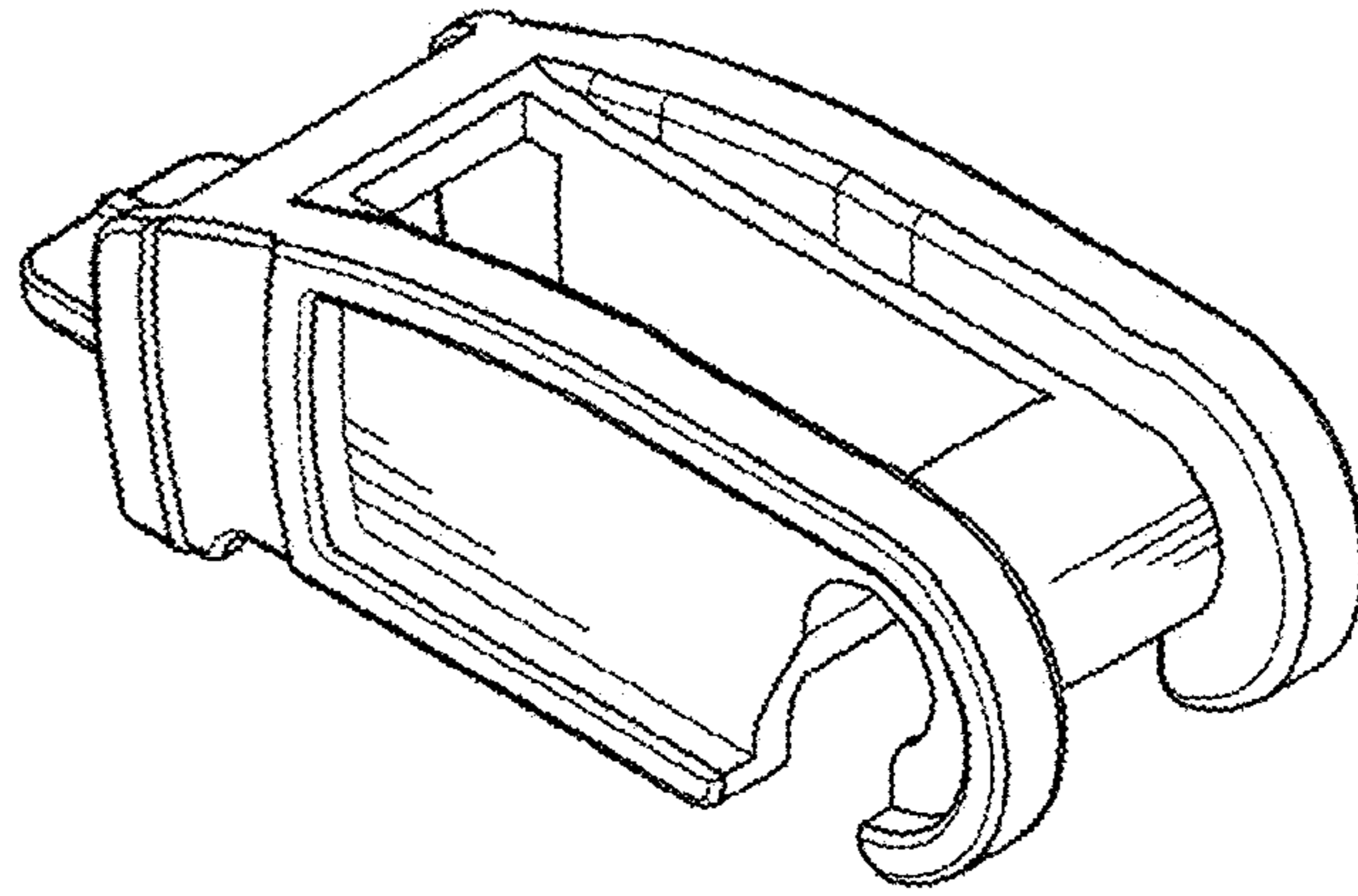


Fig. 1

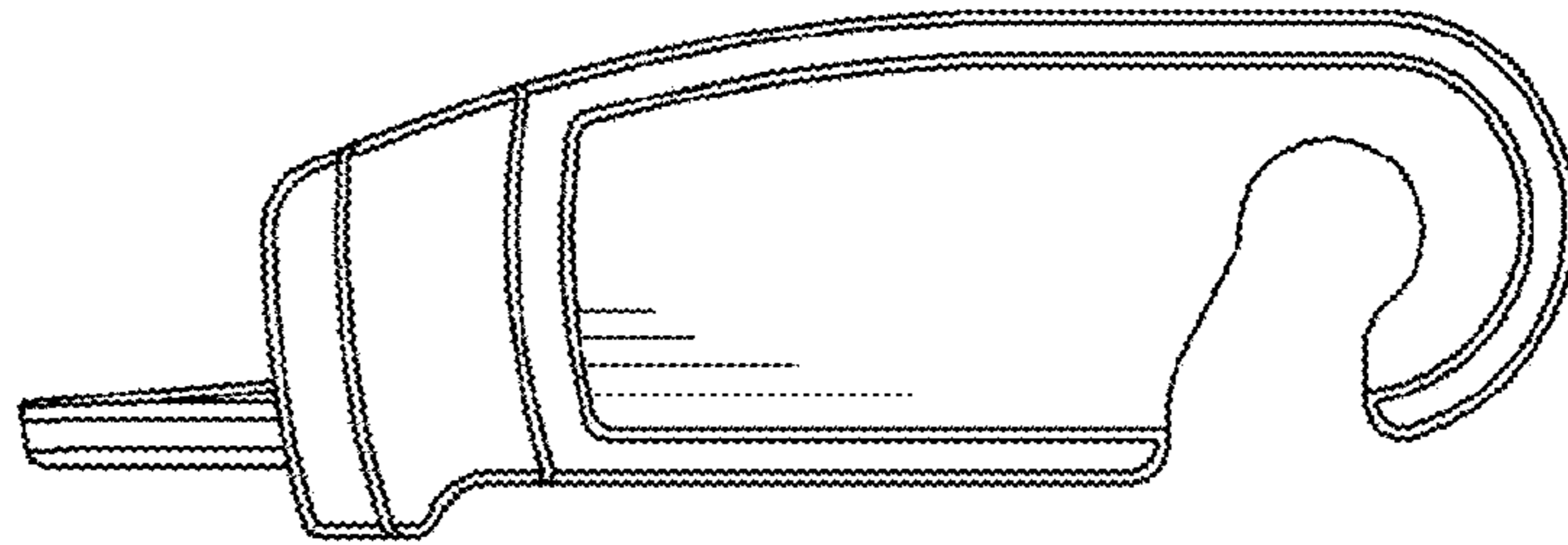


Fig. 2

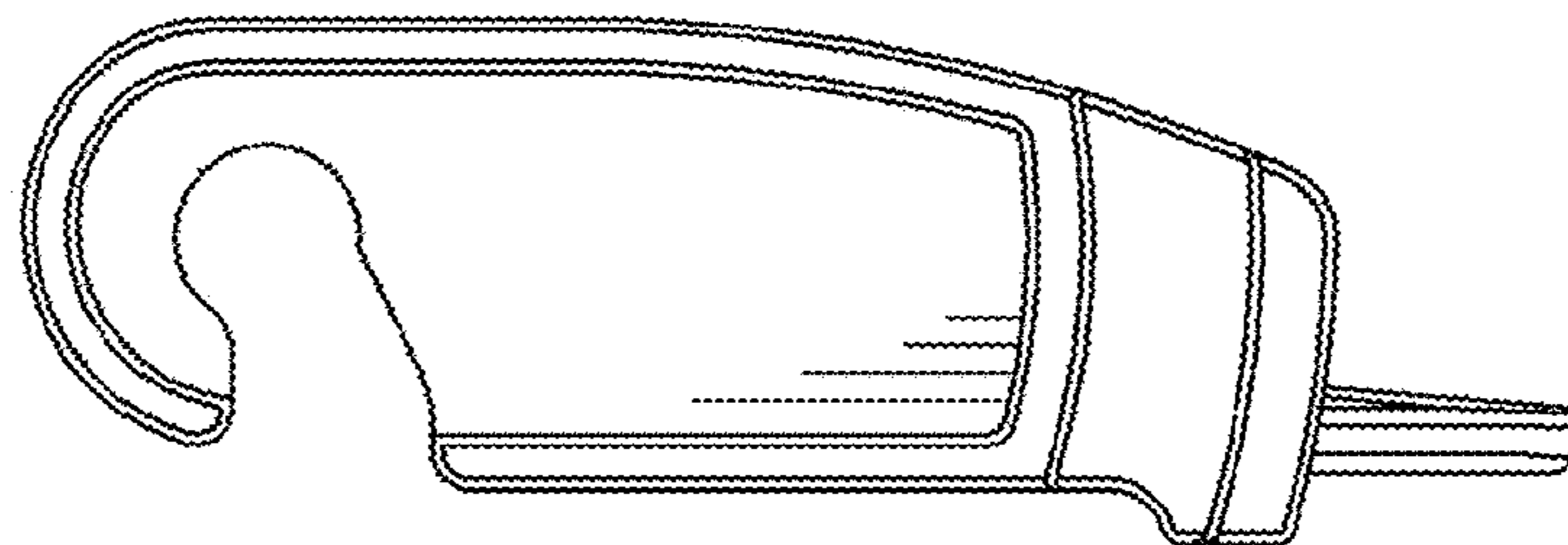


Fig. 3

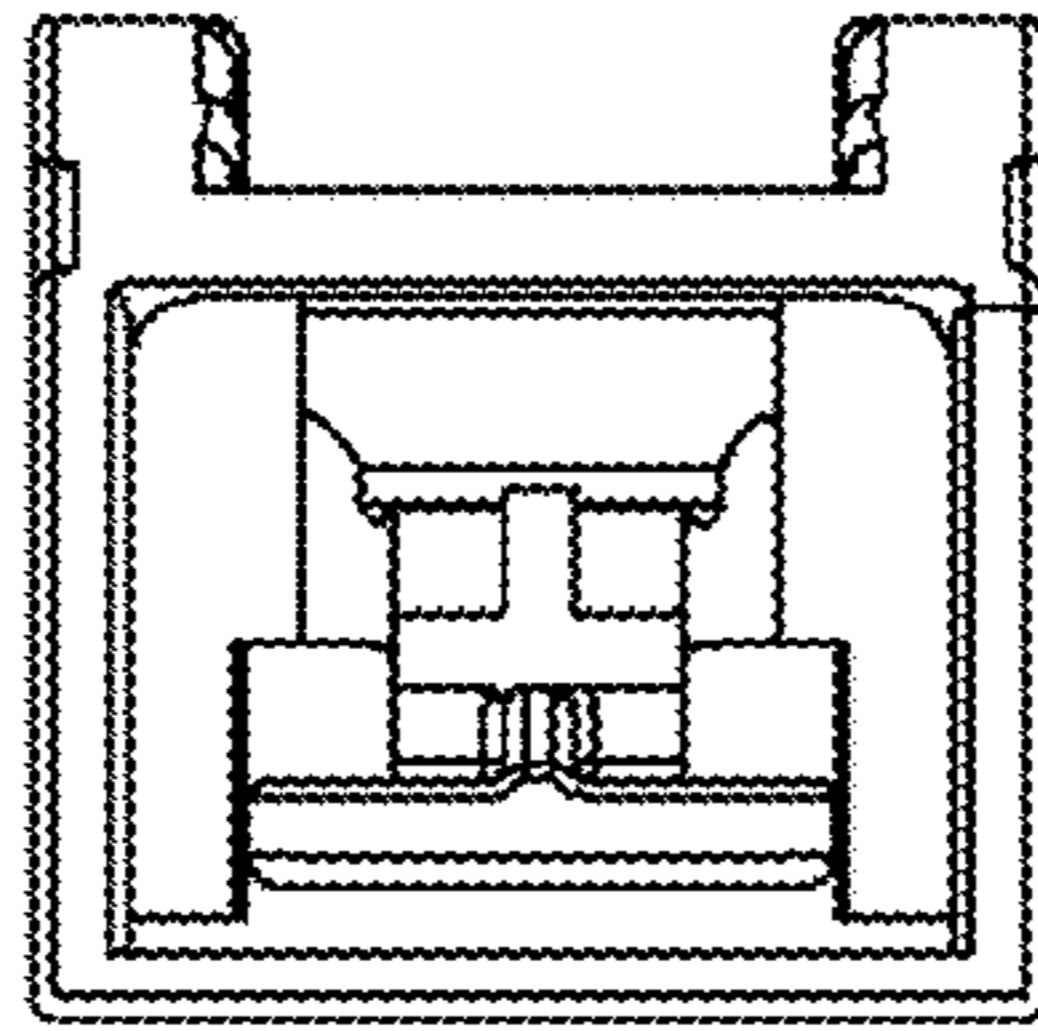


Fig. 4

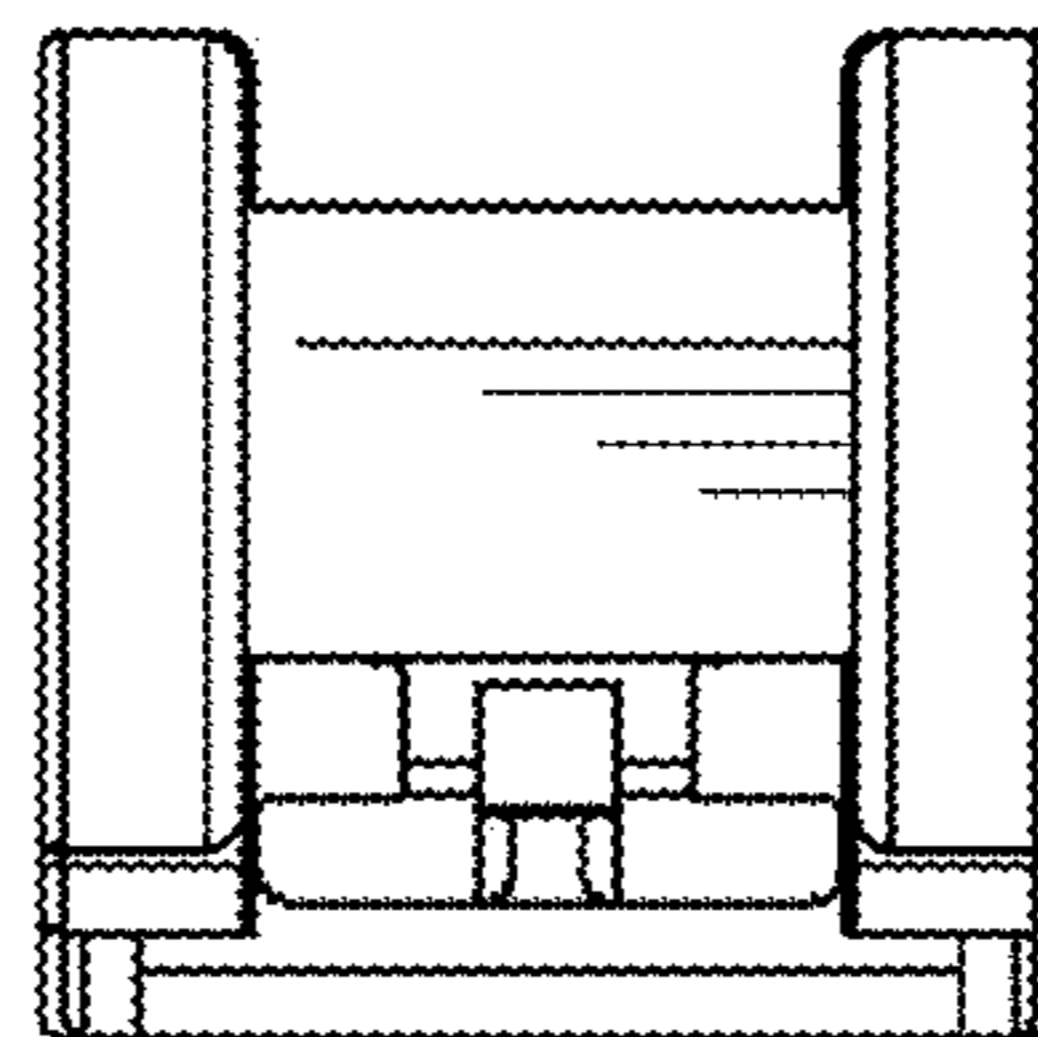


Fig. 5

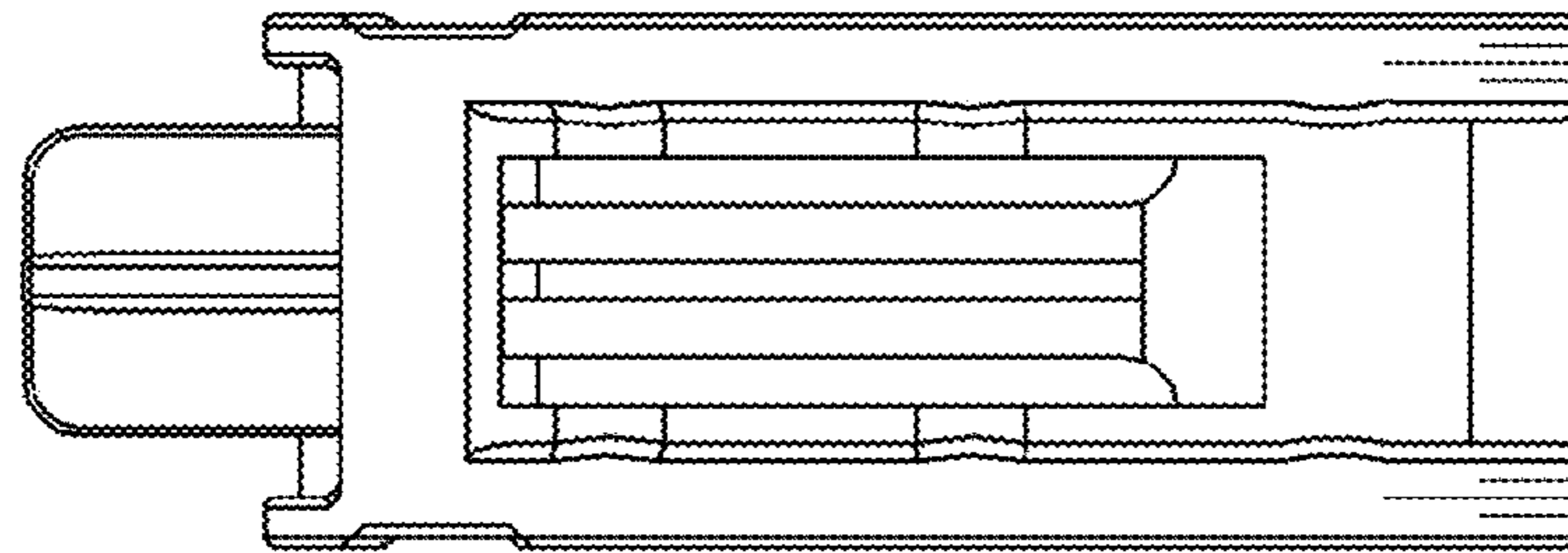


Fig. 6

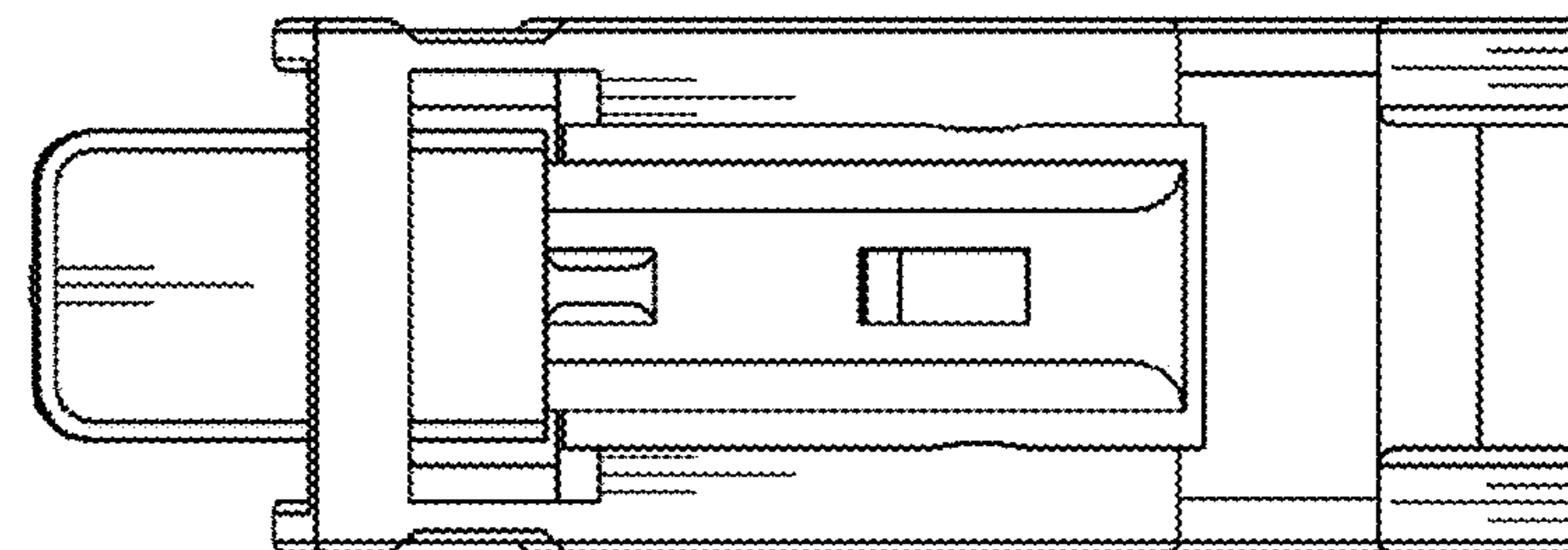


Fig. 7

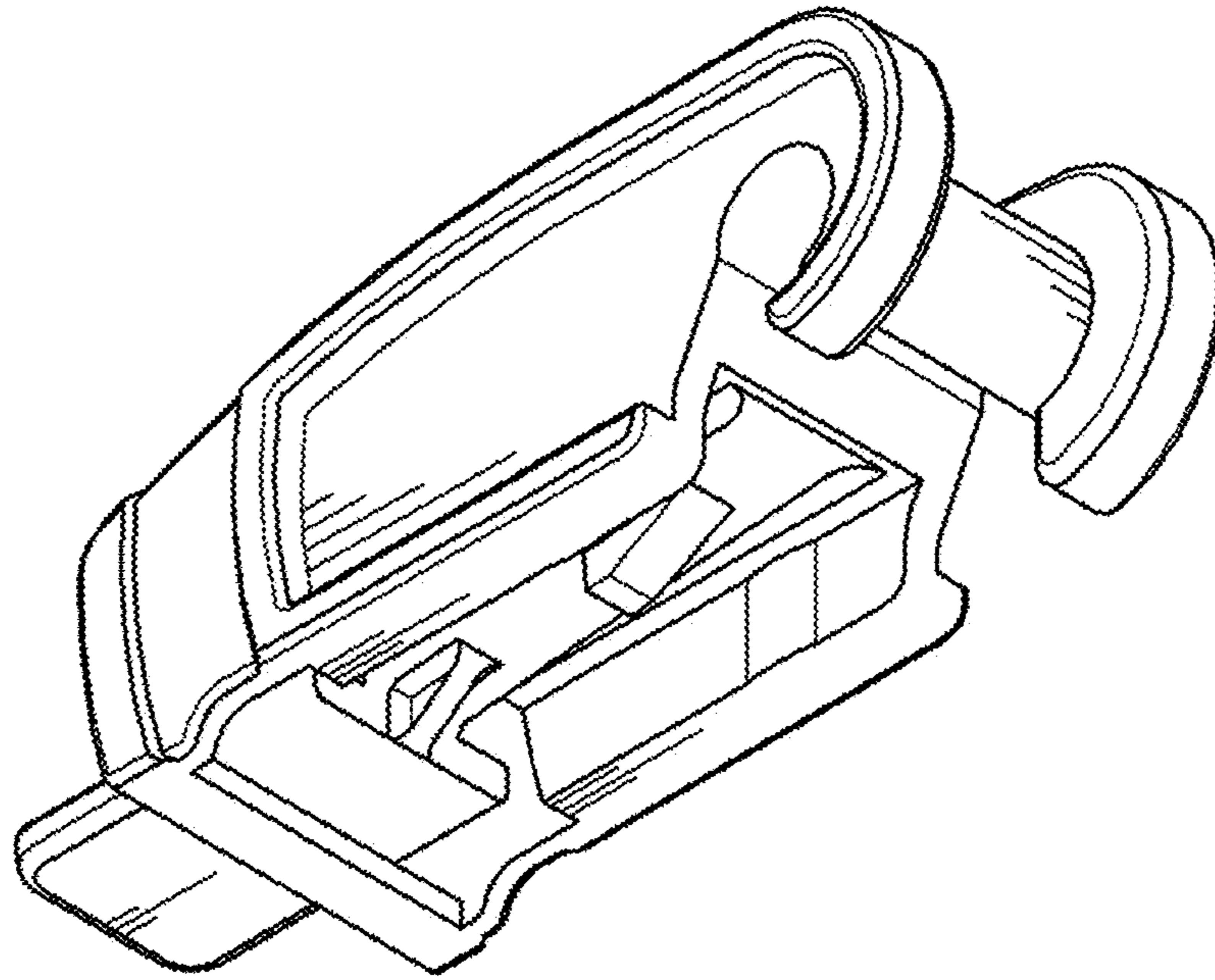


Fig. 8

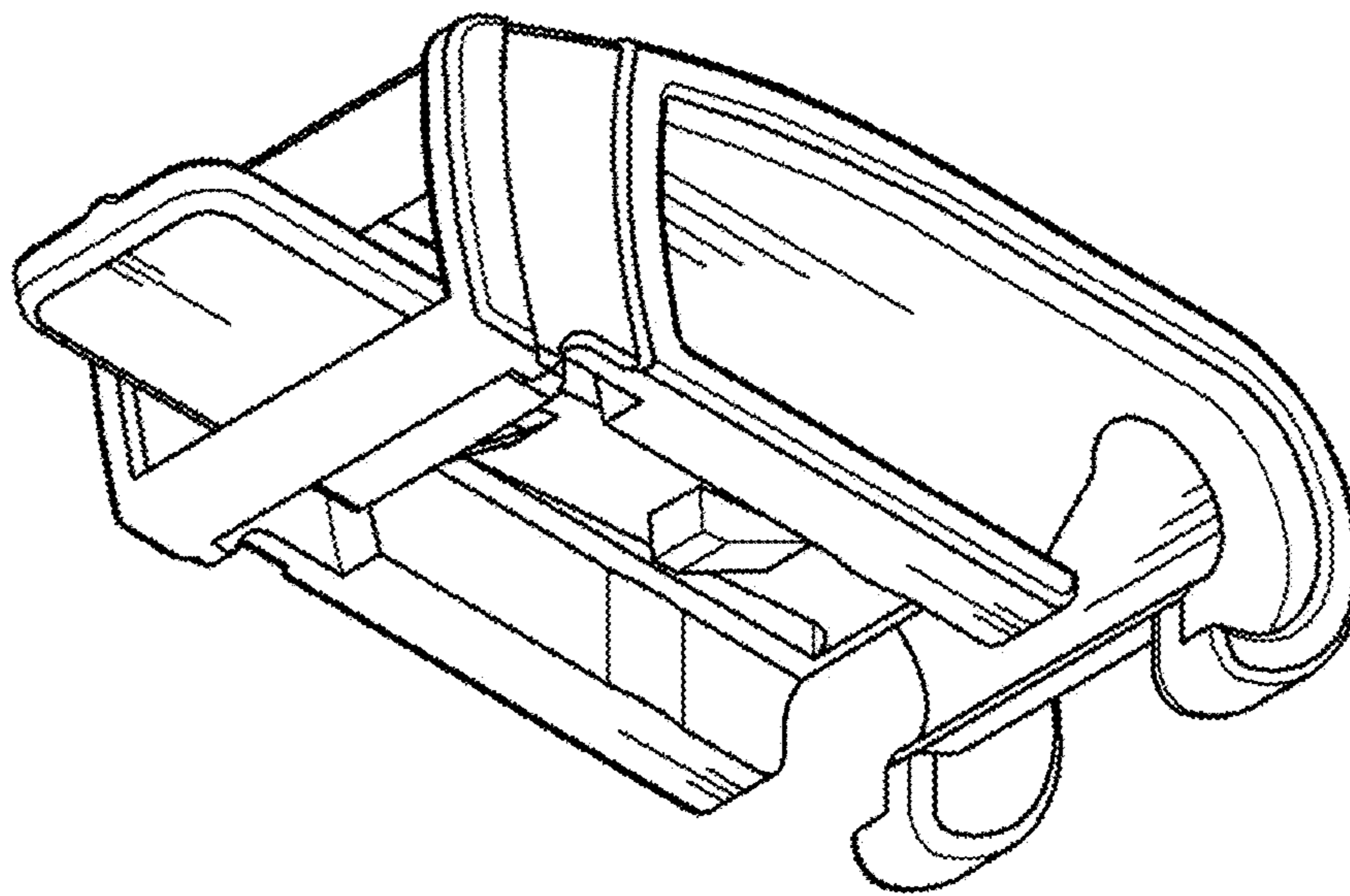


Fig. 9

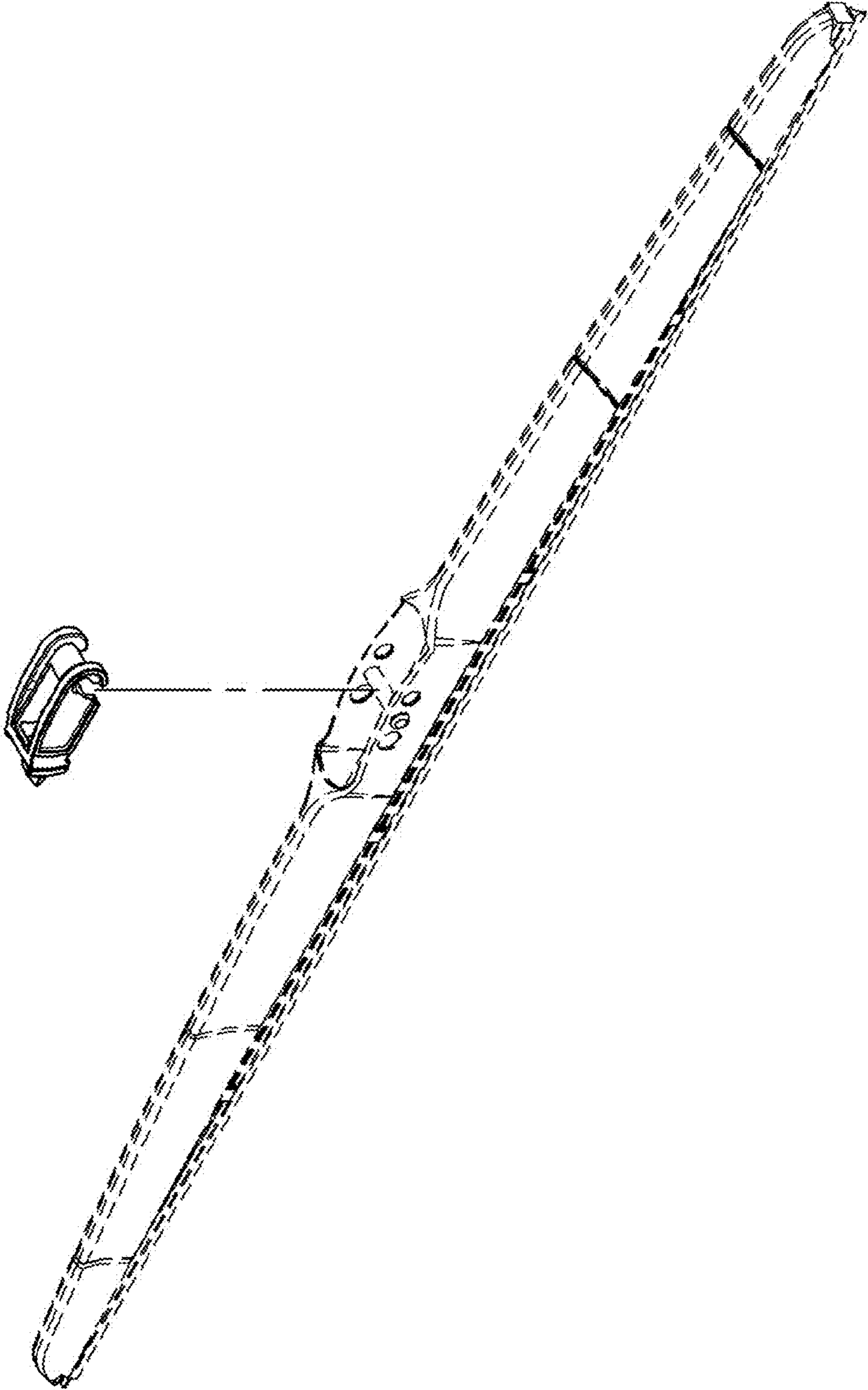


Fig. 10