



US00D704618S

(12) **United States Design Patent**
Ehde et al.

(10) **Patent No.:** **US D704,618 S**
(45) **Date of Patent:** **** May 13, 2014**

(54) **WIPER BLADE**
(71) Applicant: **Trico Products Corporation**, Rochester Hills, MI (US)
(72) Inventors: **Daniel Ehde**, Ortonville, MI (US); **Valentin Avasiloaie**, Dearborn Heights, MI (US)
(73) Assignee: **Trico Products Corporation**, Rochester Hills, MI (US)
(**) Term: **14 Years**
(21) Appl. No.: **29/437,312**

4,416,032 A 11/1983 Mohnach et al.
4,976,001 A 12/1990 Wright
5,084,933 A 2/1992 Buechele
5,553,962 A 9/1996 Eustache
5,606,765 A 3/1997 Ding
6,158,078 A 12/2000 Kotlarski
6,434,780 B1 8/2002 Kotlarski
6,550,096 B1 4/2003 Stewart et al.
6,553,607 B1 4/2003 De Block
6,581,237 B1 6/2003 Kotlarski
6,611,988 B1 9/2003 De Block
6,625,842 B1 9/2003 De Block
6,634,056 B1 10/2003 De Block
6,665,905 B2 12/2003 Wegner et al.
6,668,419 B1 12/2003 Kotlarski
6,687,948 B2 2/2004 Kotlarski

(Continued)

(22) Filed: **Nov. 15, 2012**
(51) **LOC (10) Cl.** **12-06**
(52) **U.S. Cl.**
USPC **D12/219**
(58) **Field of Classification Search**
USPC D12/219-220; 15/246, 247, 250.001, 15/250.4, 250.361, 250.19, 250.48, 15/250.03, 250.31-250.33, 250.351, 15/250.38, 250.201, 250.451, 250.44
See application file for complete search history.

FOREIGN PATENT DOCUMENTS

DE 1028896 4/1958
DE 1505397 10/1969

(Continued)

Primary Examiner — Katrina A Betton
(74) *Attorney, Agent, or Firm* — Howard & Howard Attorneys PLLC

(56) **References Cited**

U.S. PATENT DOCUMENTS

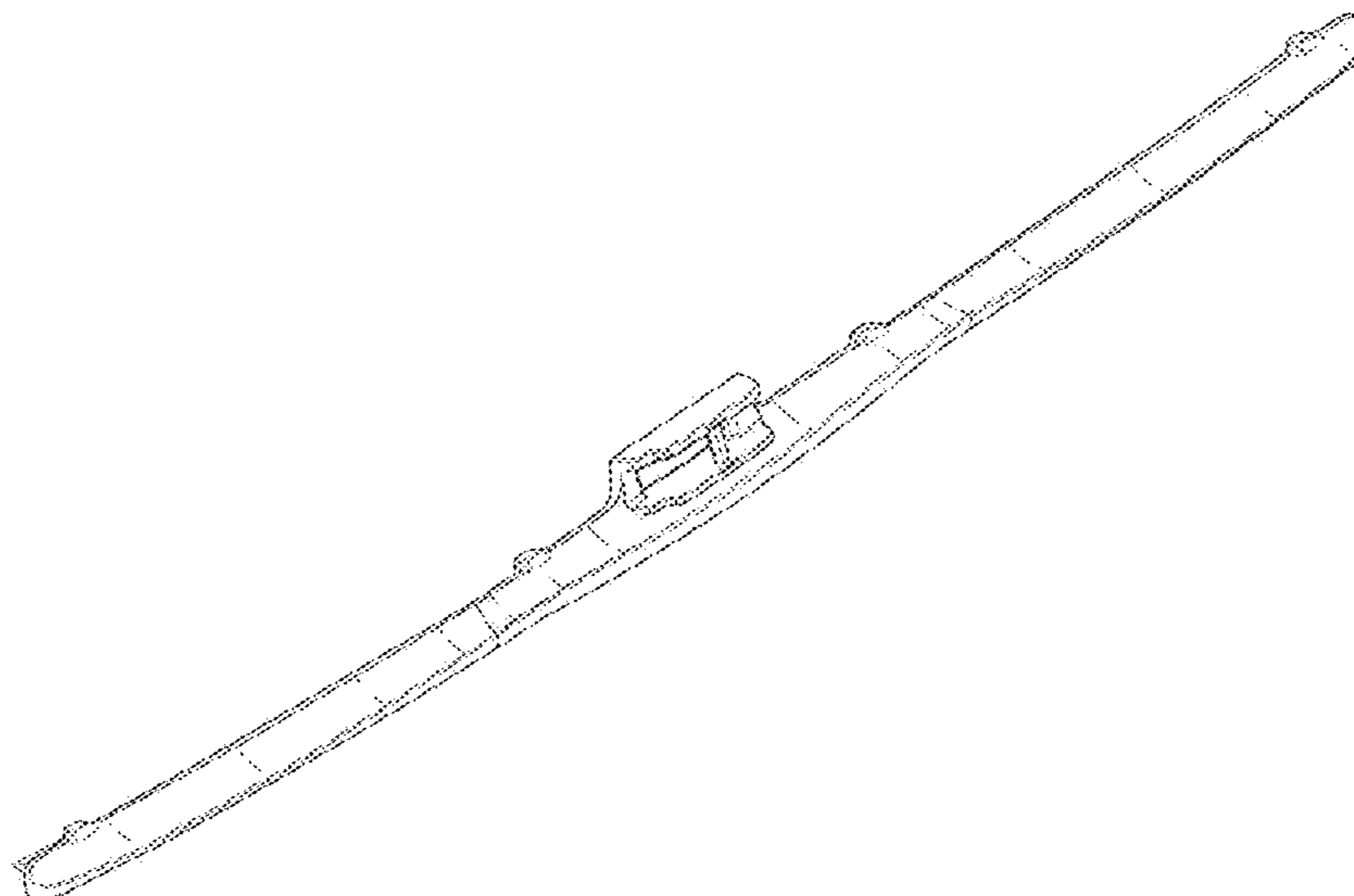
2,974,341 A 3/1961 Hart
3,179,969 A 4/1965 Glynn
3,192,551 A 7/1965 Appel
3,317,945 A 5/1967 Ludwig
3,378,874 A 4/1968 Scinta
3,418,679 A 12/1968 Barth et al.
3,641,614 A 2/1972 Newsome
3,845,519 A 11/1974 Quinlan et al.
4,083,642 A 4/1978 Journee
4,132,490 A 1/1979 Journee
4,158,513 A 6/1979 Journee
4,224,001 A 9/1980 Arndt et al.
4,300,259 A 11/1981 Maiocco

(57) **CLAIM**
The ornamental design for a wiper blade, as shown and described.

DESCRIPTION

FIG. 1 is a perspective view of the wiper blade design of the present invention;
FIG. 2 is a top view thereof;
FIG. 3 is a bottom view thereof;
FIG. 4 is a left side view thereof;
FIG. 5 is a right side view thereof;
FIG. 6 is an end view thereof; and,
FIG. 7 is a view of the opposite end thereof.

1 Claim, 3 Drawing Sheets



(56)

References Cited

U.S. PATENT DOCUMENTS

6,789,289	B2	9/2004	Roodt	
6,792,644	B2	9/2004	Roodt	
6,836,924	B2	1/2005	Egan-Walter	
7,207,082	B2	4/2007	Lee	
7,353,562	B2	4/2008	Huang	
7,802,341	B2	9/2010	Cempura et al.	
7,921,504	B1	4/2011	Chiang	
D680,051	S *	4/2013	Tolentino et al.	D12/219
D685,713	S *	7/2013	Wang	D12/219
D686,555	S *	7/2013	Song et al.	D12/219
D686,556	S *	7/2013	Song et al.	D12/219
D686,557	S *	7/2013	Kwon	D12/219
D687,363	S *	8/2013	An	D12/219
D687,759	S *	8/2013	An	D12/219
D688,617	S *	8/2013	An	D12/219

D695,673	S *	12/2013	Kim	D12/219
2003/0159229	A1	8/2003	Weiler et al.	
2004/0019997	A1	2/2004	Baseotto et al.	
2004/0025281	A1	2/2004	Baseotto et al.	
2004/0074037	A1	4/2004	Roodt	
2004/0117938	A1	6/2004	Wilms et al.	
2005/0251946	A1	11/2005	Heinrich et al.	
2006/0130263	A1	6/2006	Coughlin	
2008/0092320	A1	4/2008	Cempura et al.	
2008/0235896	A1	10/2008	Cheng	

FOREIGN PATENT DOCUMENTS

DE	1655410	8/1971
DE	2640399	3/1977
DE	19729865 A1	1/1999
WO	03/051696	6/2003

* cited by examiner

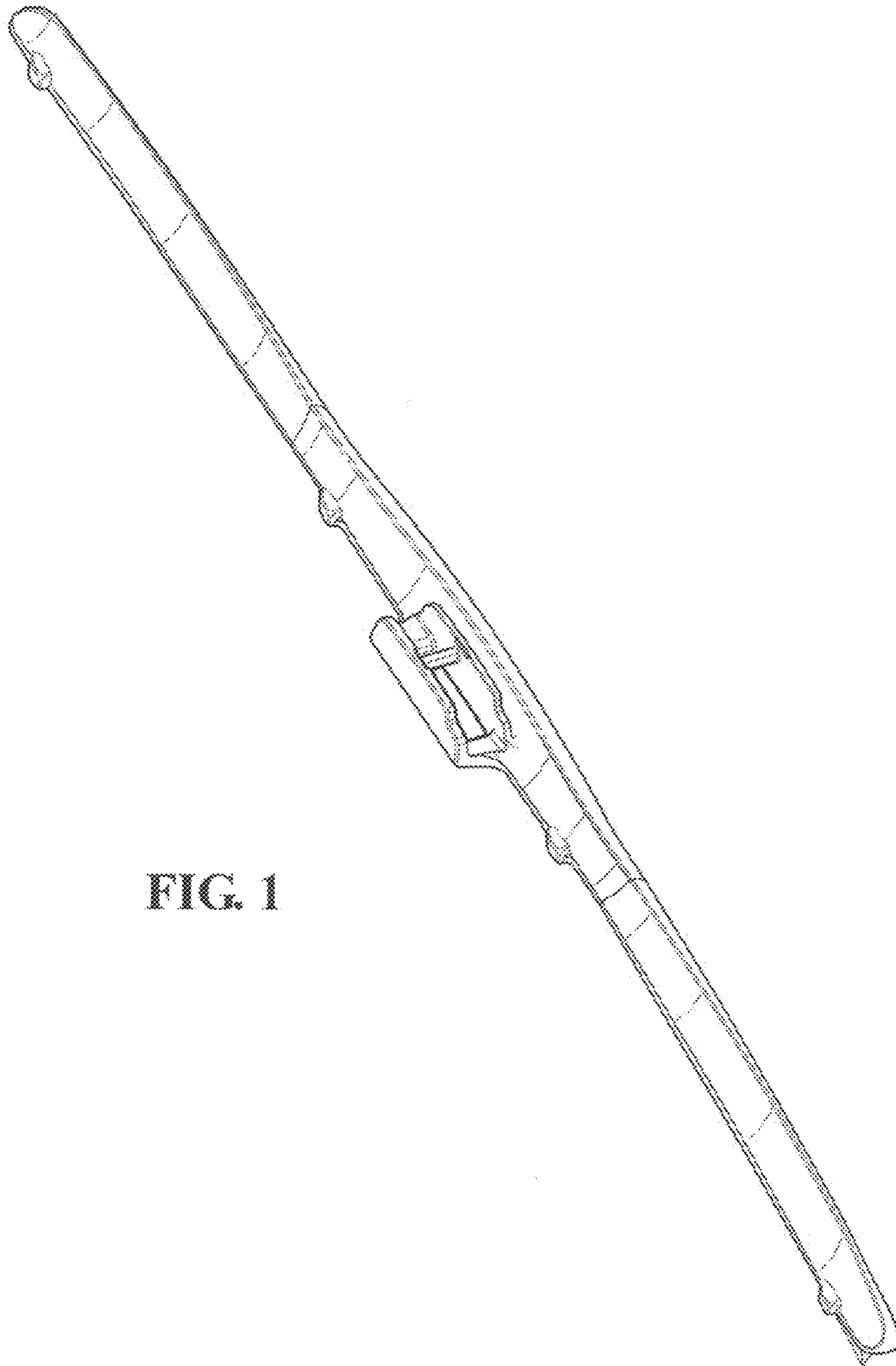


FIG. 1

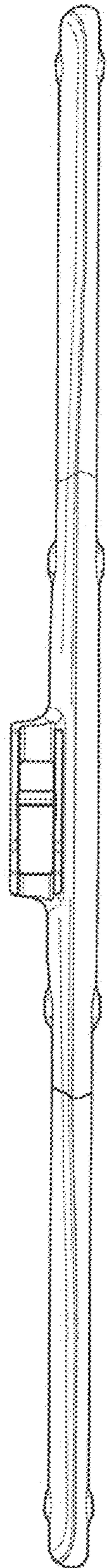


FIG. 2

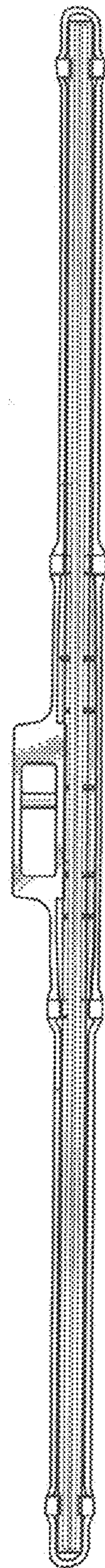


FIG. 3

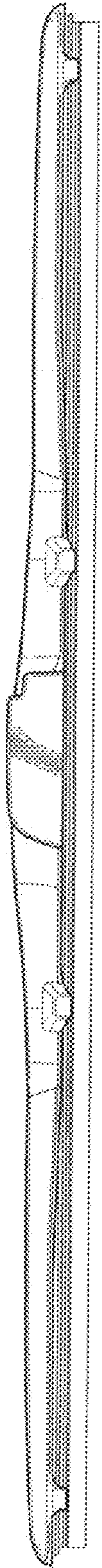


FIG. 4

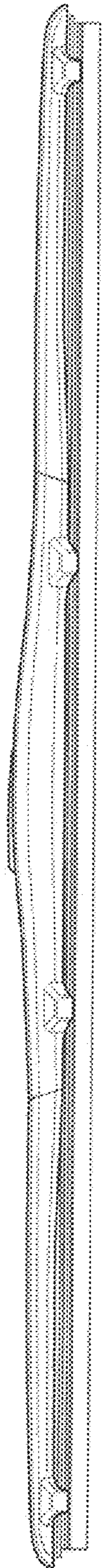


FIG. 5

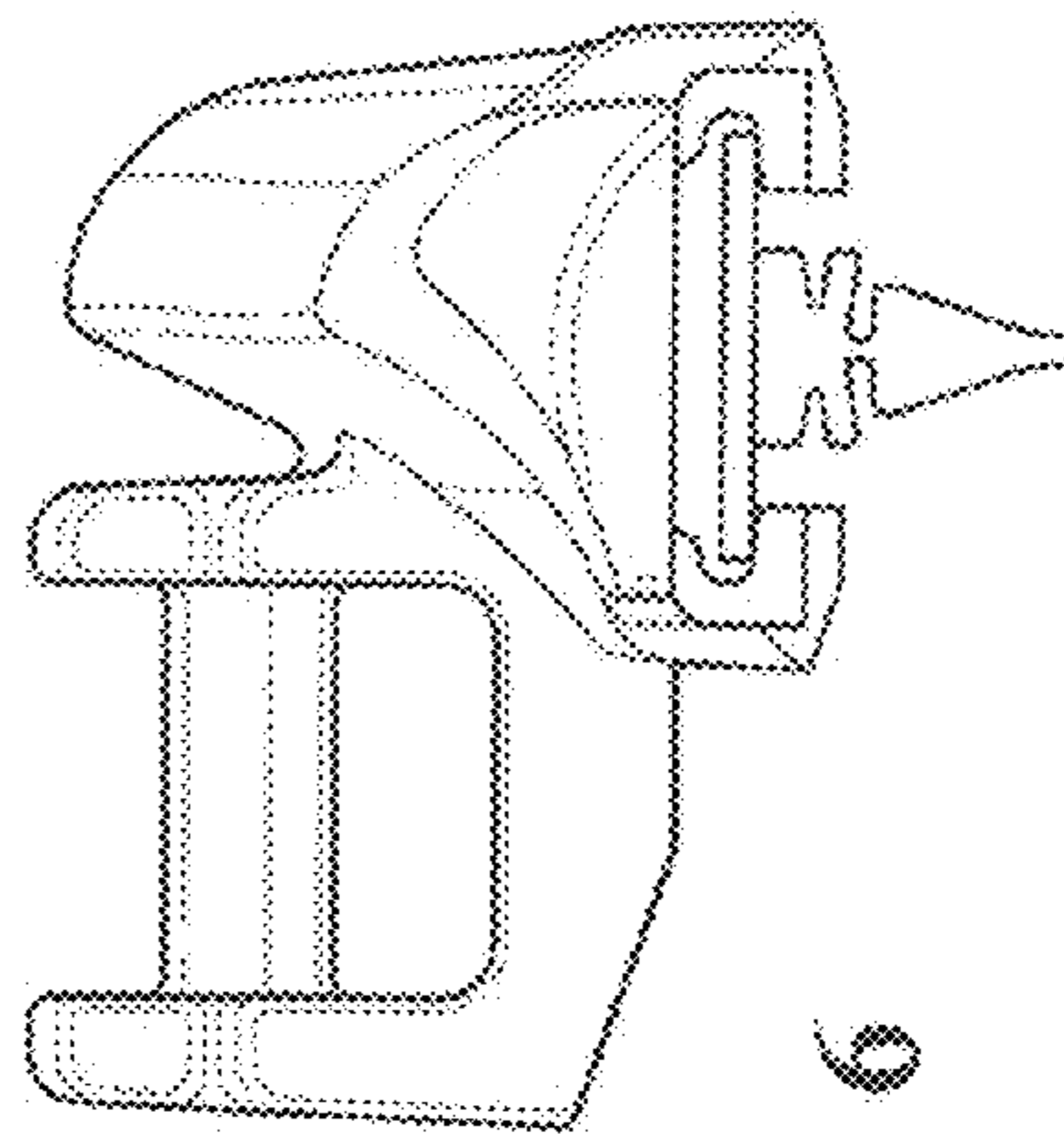


FIG. 6

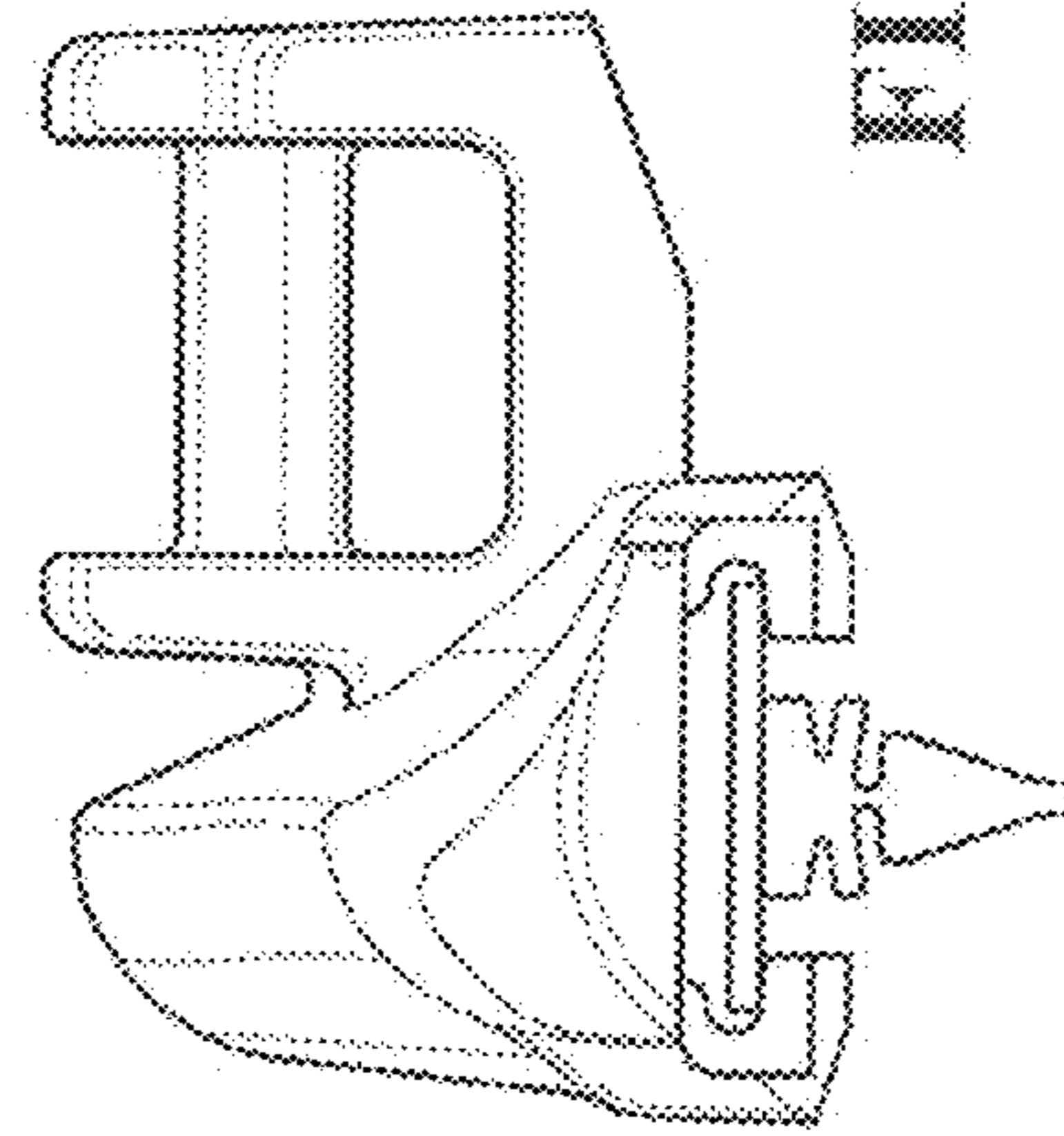


FIG. 7