



US00D704613S

(12) **United States Design Patent**
Nakao

(10) **Patent No.:** **US D704,613 S**

(45) **Date of Patent:** **** May 13, 2014**

(54) **REAR DOOR TRIM PANEL FOR AN
AUTOMOBILE**

(71) Applicant: **Nissan Motor Co., Ltd.**, Kanagawa (JP)

(72) Inventor: **Akifumi Nakao**, Kanagawa (JP)

(73) Assignee: **Nissan Motor Co., Ltd.**, Yokohama (JP)

(**) Term: **14 Years**

(21) Appl. No.: **29/458,035**

(22) Filed: **Jun. 14, 2013**

(30) **Foreign Application Priority Data**

Dec. 17, 2012 (JP) 2012-030732

(51) **LOC (10) Cl.** **12-08**

(52) **U.S. Cl.**
USPC **D12/195**

(58) **Field of Classification Search**
USPC D12/195, 193, 414, 190, 196; 180/190;
280/750-752; 296/190.01-191, 70,
296/193.08, 145, 153, 37.1-37.13, 149,
296/146.1; D15/17, 28; D10/46, 98,
D10/102-103; 49/501-502; D8/302-303
See application file for complete search history.

(56) **References Cited**

U.S. PATENT DOCUMENTS

D377,645 S * 1/1997 Iwamoto et al. D14/385
D533,821 S * 12/2006 Tamagawa et al. D12/195
D534,470 S * 1/2007 Tsuchiya et al. D12/195
D534,849 S * 1/2007 Tamagawa et al. D12/195
D536,650 S * 2/2007 Young et al. D12/195
D577,646 S * 9/2008 Wyszogrod et al. D12/195
D607,802 S * 1/2010 Collins et al. D12/195

D615,017 S * 5/2010 Smith D12/195
D616,348 S * 5/2010 Rosenbohm D12/195
D633,023 S * 2/2011 Hwang et al. D12/195
D658,707 S * 5/2012 Anderl D16/335

* cited by examiner

Primary Examiner — Katrina A Betton

(74) *Attorney, Agent, or Firm* — Global IP Counselors, LLP

(57) **CLAIM**

The ornamental design for a rear door trim panel for an automobile, as shown and described.

DESCRIPTION

FIG. 1 is a front elevational view of a rear door trim panel for an automobile in accordance with my new design;
FIG. 2 is a top plan view of the rear door trim panel in accordance with my new design of FIG. 1;
FIG. 3 is a bottom plan view of the rear door trim panel in accordance with my new design of FIGS. 1 to 2;
FIG. 4 is a right side elevational view of the rear door trim panel in accordance with my new design of FIGS. 1 to 3;
FIG. 5 is a left side elevational view of the rear door trim panel in accordance with my new design of FIGS. 1 to 4;
FIG. 6 is a front-right side perspective view of the rear door trim panel in accordance with my new design of FIGS. 1 to 5; and,
FIG. 7 is a front-left side perspective view of the rear door trim panel in accordance with my new design of FIGS. 1 to 6.
The rear view of the rear door trim panel forms no part of the claimed design.
My new design includes the mirror image of the rear door trim panel shown in FIGS. 1 to 7.

1 Claim, 7 Drawing Sheets





FIG. 1

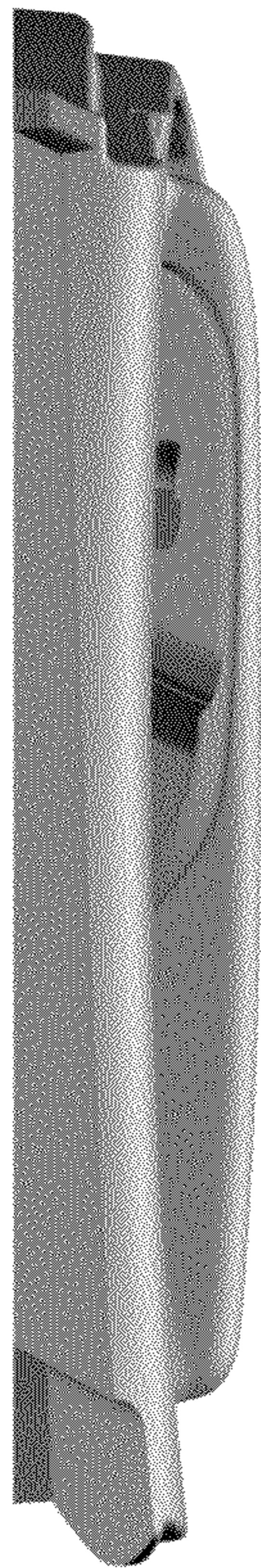


FIG. 2

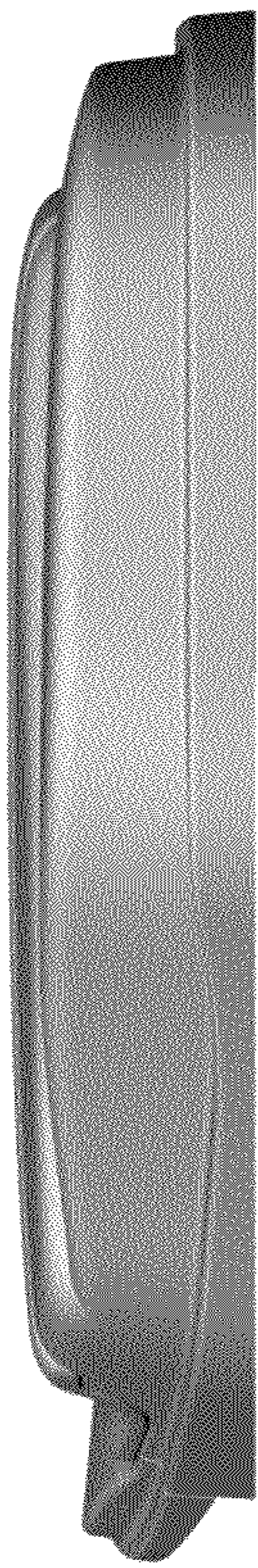


FIG. 3

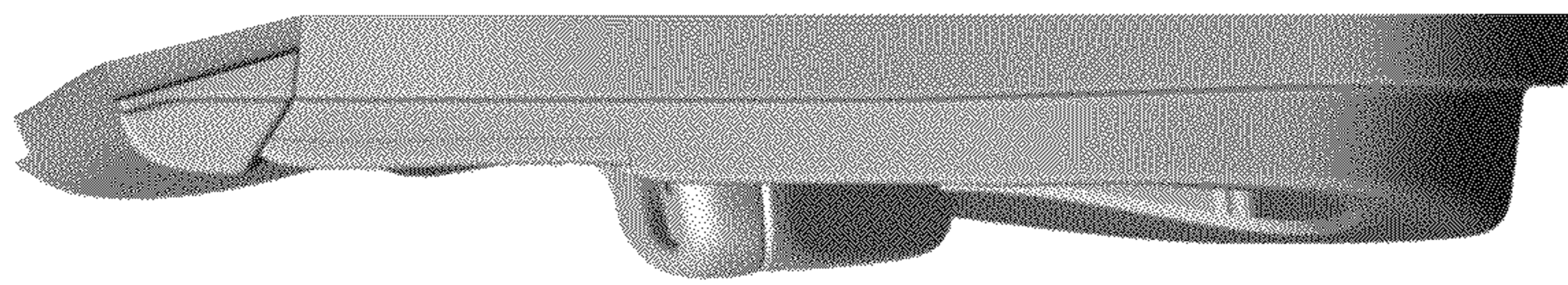


FIG. 4

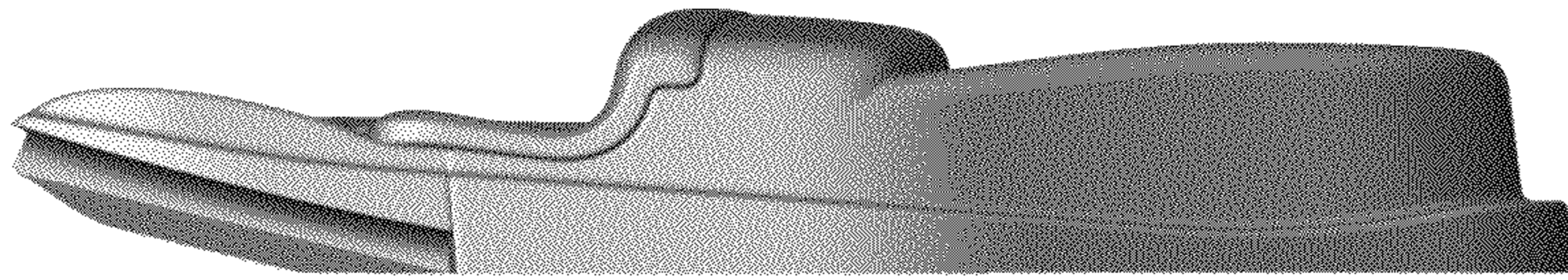


FIG. 5

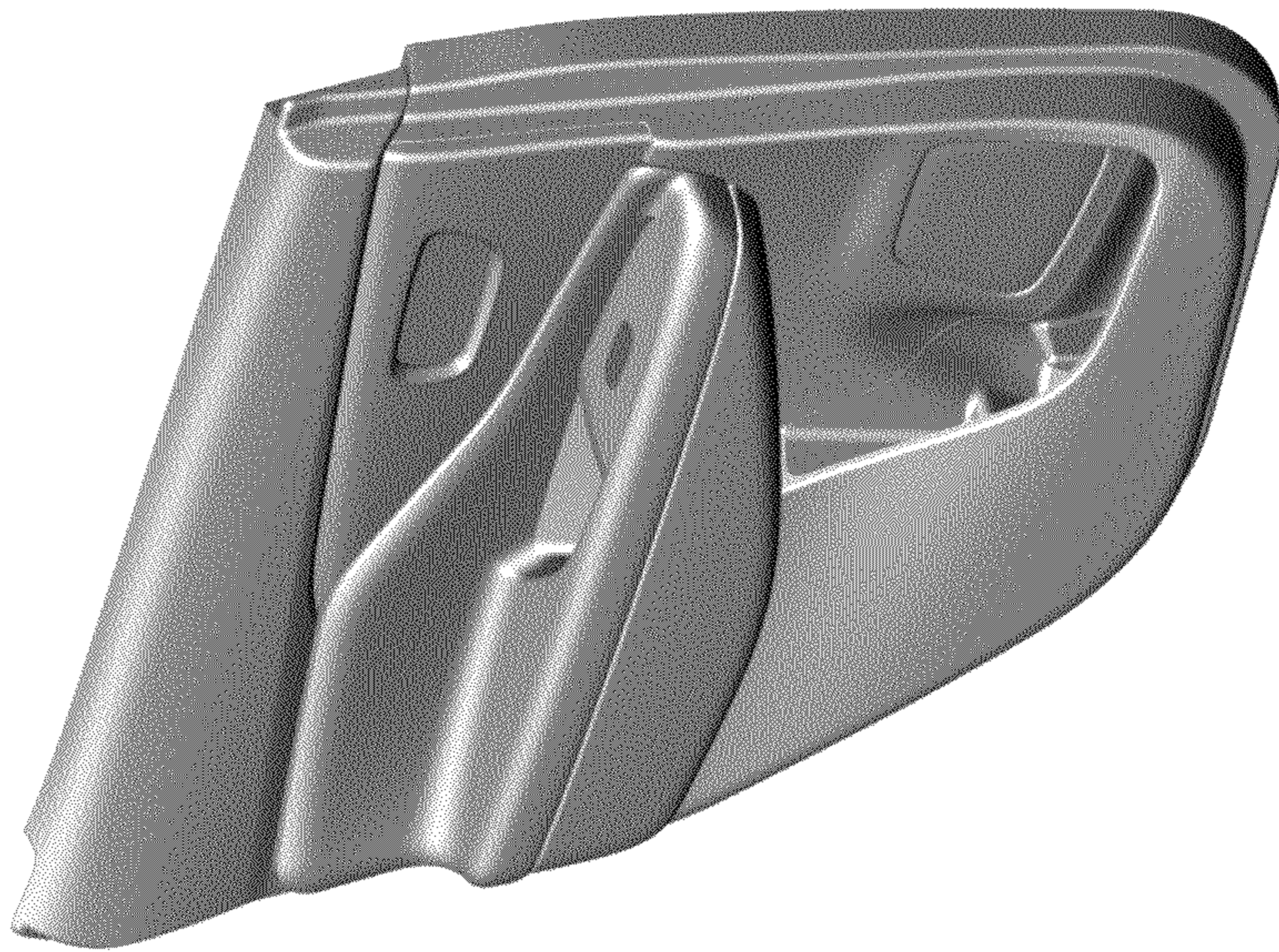


FIG. 6

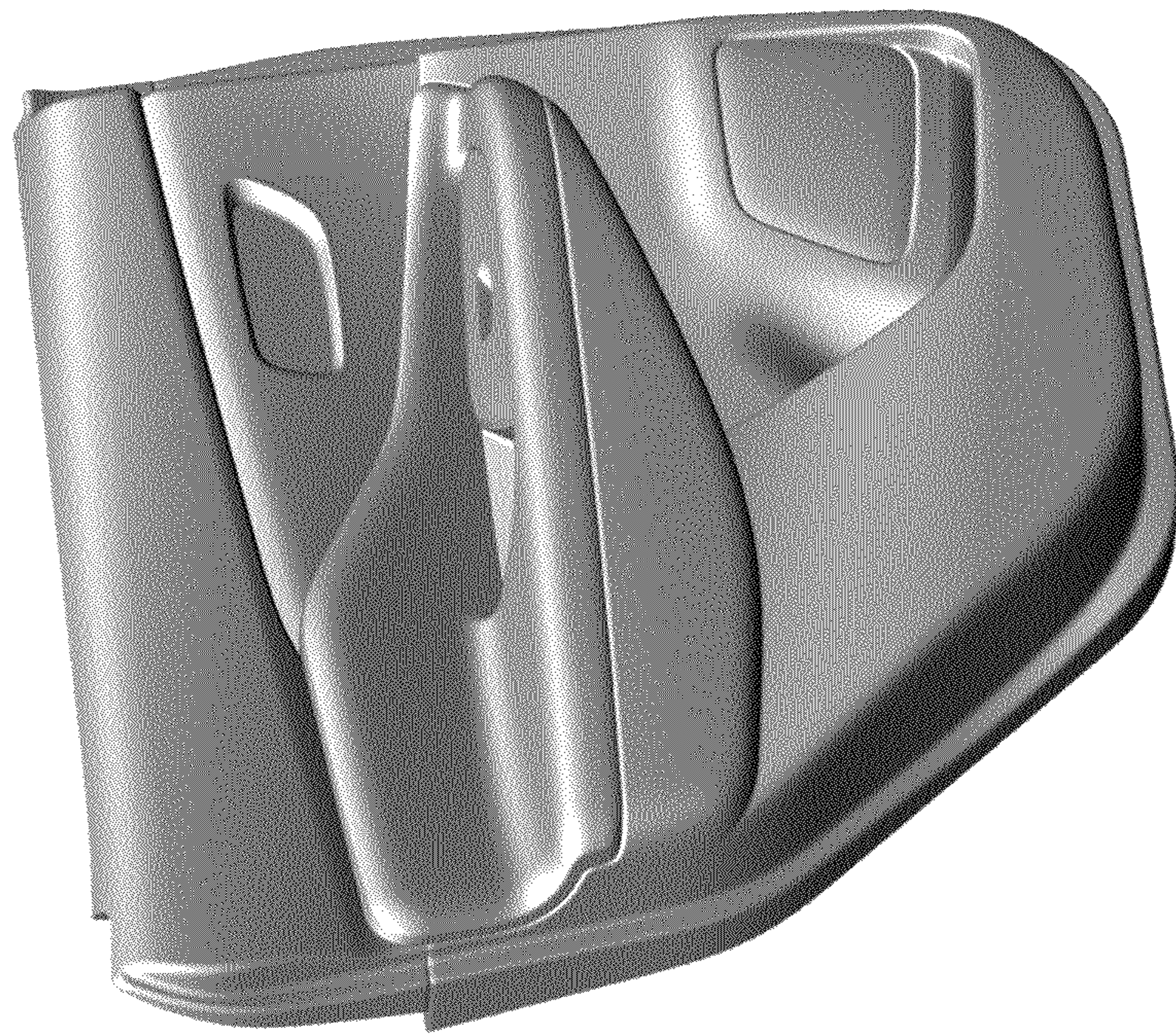


FIG. 7