



US00D704610S

(12) **United States Design Patent**
Mizuhata et al.

(10) **Patent No.:** **US D704,610 S**

(45) **Date of Patent:** **** May 13, 2014**

(54) **DASH BOARD AND CONSOLE FOR AN
AUTOMOBILE**

(71) Applicants: **Yasuhiko Mizuhata**, Toyota (JP);
Masao Saitou, Toyota (JP); **Toshiyasu
Sayama**, Nagoya (JP)

(72) Inventors: **Yasuhiko Mizuhata**, Toyota (JP);
Masao Saitou, Toyota (JP); **Toshiyasu
Sayama**, Nagoya (JP)

(73) Assignee: **Toyota Jidosha Kabushiki Kaisha**,
Toyota-shi, Aichi-ken (JP)

(**) Term: **14 Years**

(21) Appl. No.: **29/444,123**

(22) Filed: **Jan. 25, 2013**

(30) **Foreign Application Priority Data**

Jul. 27, 2012 (JP) 2012-017838

(51) **LOC (10) CL.** **12-16**

(52) **U.S. CL.**
USPC **D12/192**

(58) **Field of Classification Search**
USPC D12/192, 415, 110, 114; 180/90;
280/750-752; 296/190.01-190.09,
296/191, 70; D15/17, 28; D10/46, 98,
D10/102-103, 122-127
See application file for complete search history.

(56) **References Cited**

U.S. PATENT DOCUMENTS

D469,391 S * 1/2003 Pfeiffer et al. D12/192
D470,809 S * 2/2003 Asahi et al. D12/192
D489,301 S * 5/2004 Okonkwo D12/192
D501,811 S * 2/2005 Fukuda et al. D12/192
D533,492 S * 12/2006 Maezono et al. D12/192
D534,357 S * 1/2007 Davis D5/47

D539,714 S * 4/2007 Toyama et al. D12/192
D569,317 S * 5/2008 Schowalter D12/192
D598,353 S * 8/2009 Dai et al. D12/192
D622,195 S * 8/2010 Lester D12/192
D637,540 S * 5/2011 Ali et al. D12/192
D658,554 S * 5/2012 Tasaki et al. D12/192
2009/0008956 A1 * 1/2009 Scheib et al. 296/70

OTHER PUBLICATIONS

Newcarshow.com; http://www.netcarshow.com/lexus/2011-lfa/800x600/wallpaper_39.htm; http://www.netcarshow.com/lexus/2011-lfa/800x600/wallpaper_38.htm; Mfg.: Lexus; Model Lexus LFA (2011); available on at least Oct. 31, 2011.

* cited by examiner

Primary Examiner — Katrina A Betton

(74) *Attorney, Agent, or Firm* — Finnegan, Henderson, Farabow, Garrett & Dunner, LLP

(57) **CLAIM**

The ornamental design for a dash board and console for an automobile, as shown and described.

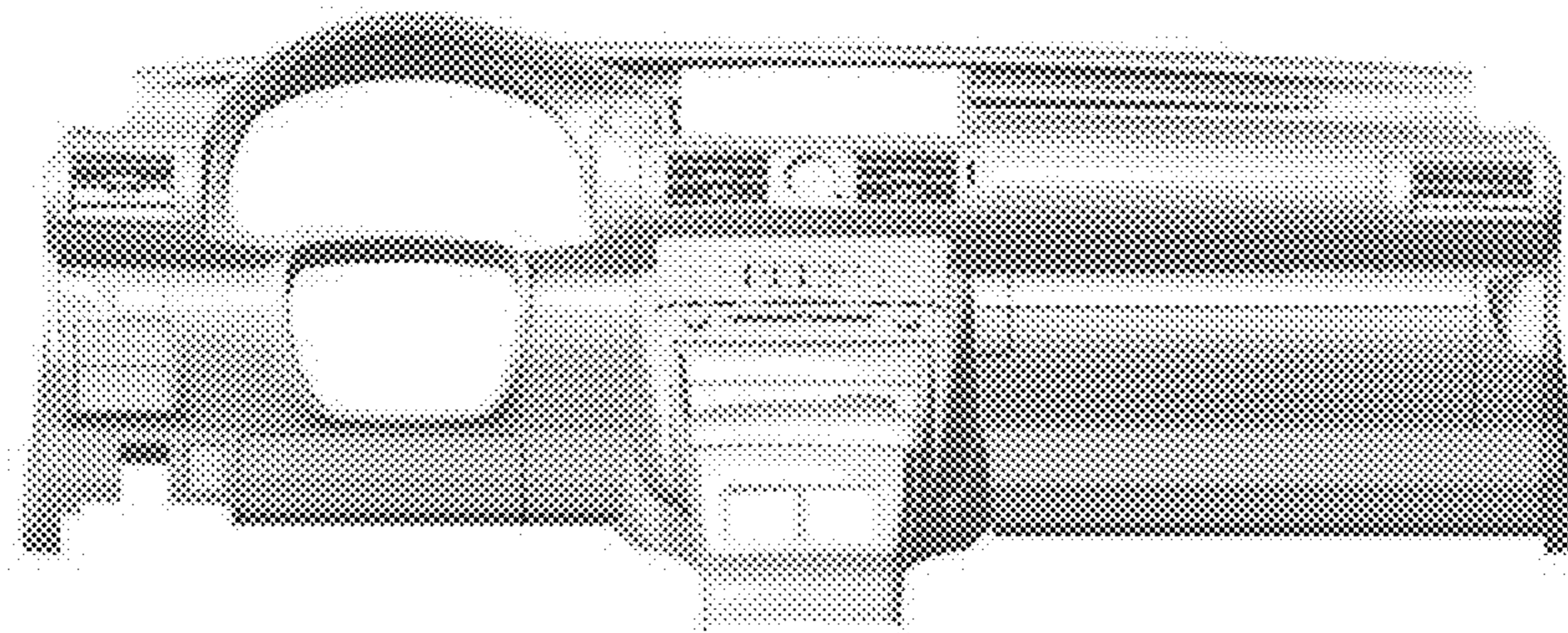
DESCRIPTION

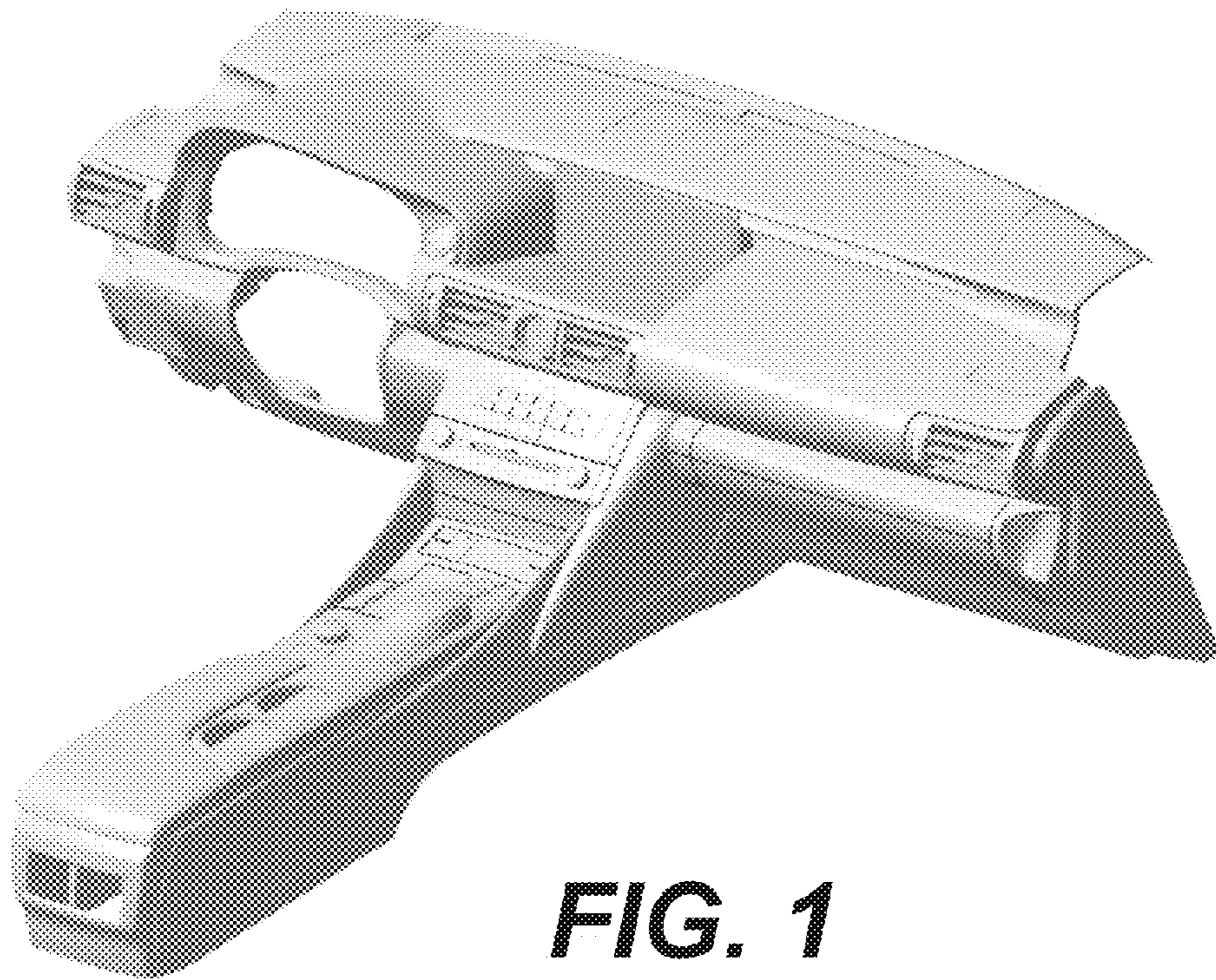
FIG. 1 is a perspective view of a dash board and console for an automobile showing our new design; FIG. 2 is a front view thereof; FIG. 3 is a rear view thereof; FIG. 4 is a right side elevation view thereof; FIG. 5 is a left side elevation view thereof; FIG. 6 is a top plan view thereof; and, FIG. 7 is a bottom view thereof.

Our design includes a mirror image of the embodiment depicted.

The de-emphasized and halftone portions of the rear and bottom views of the dash board and console in FIGS. 3 and 7, respectively, illustrate environmental structure for the dash board and console for automobile that forms no part of the claimed design.

1 Claim, 5 Drawing Sheets





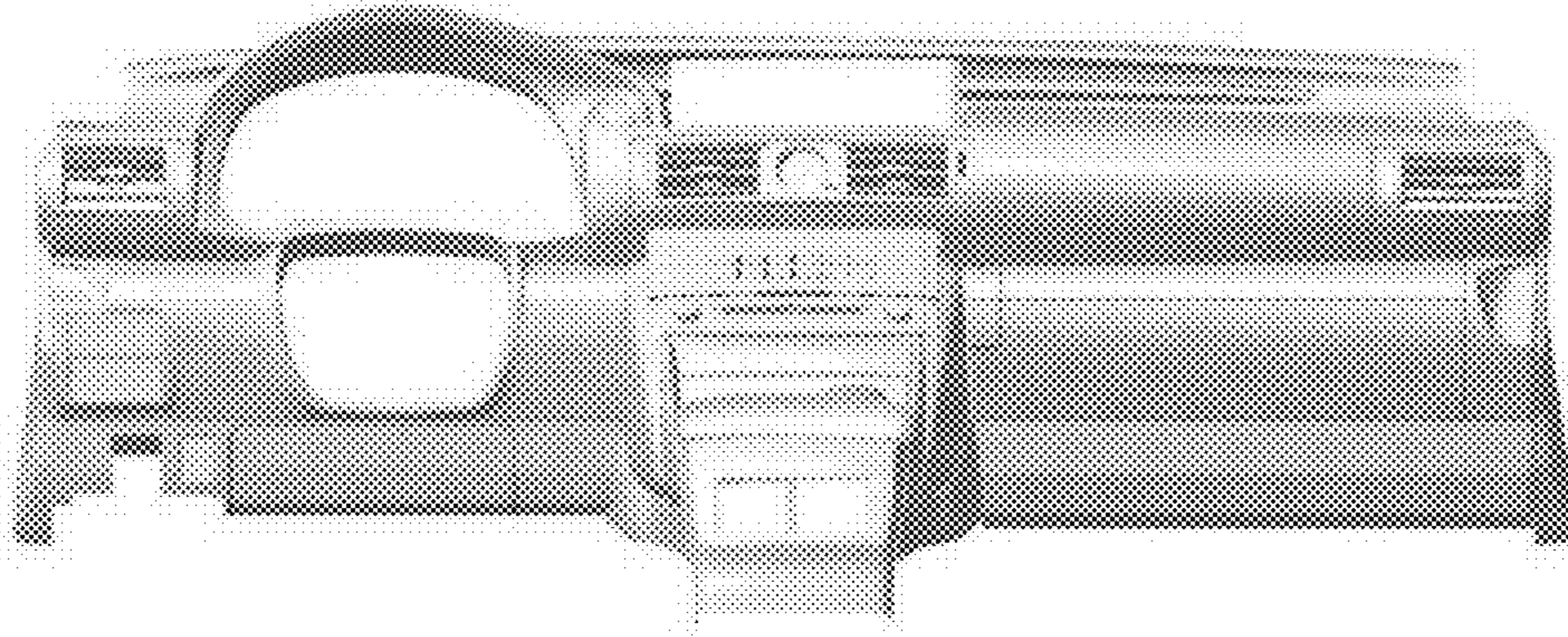


FIG. 2

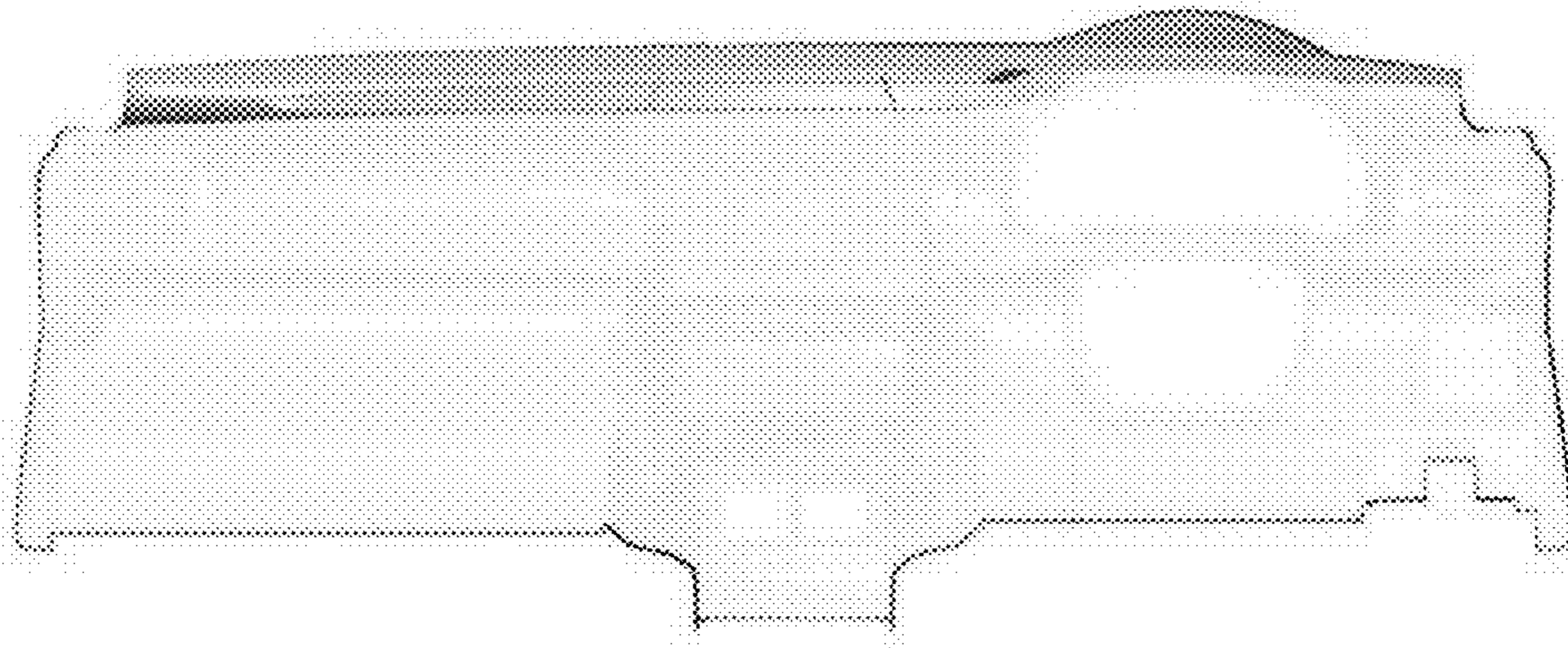


FIG. 3

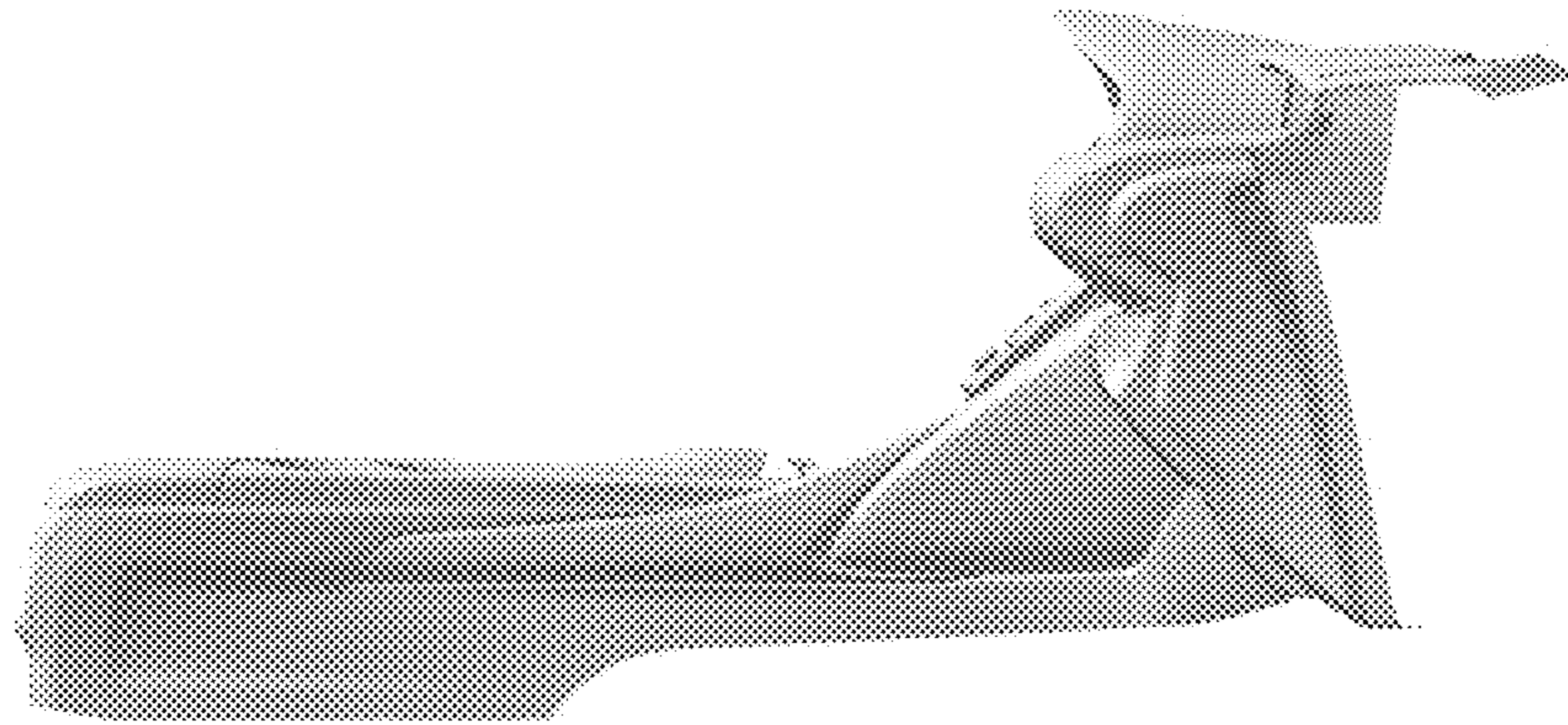


FIG. 4

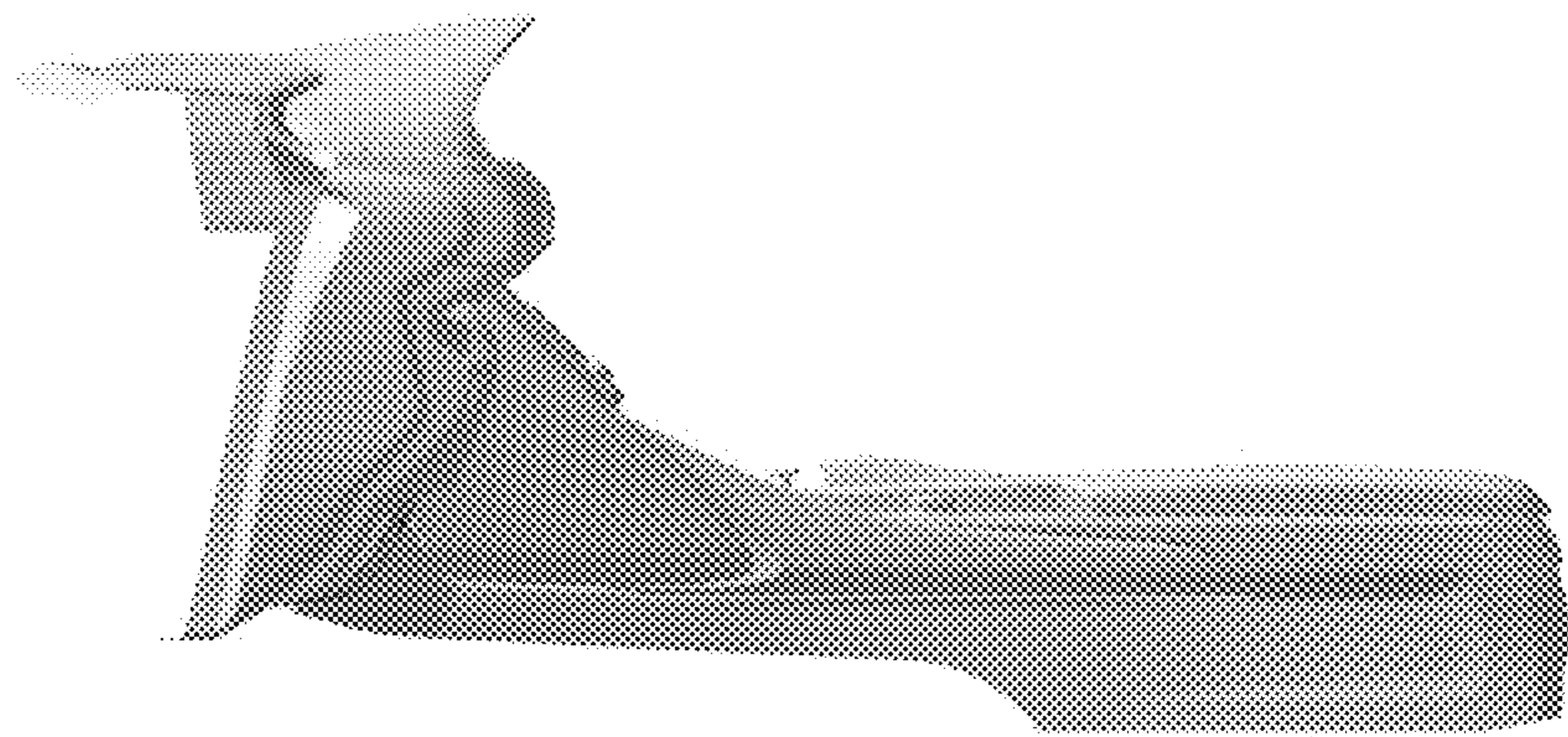


FIG. 5



FIG. 6

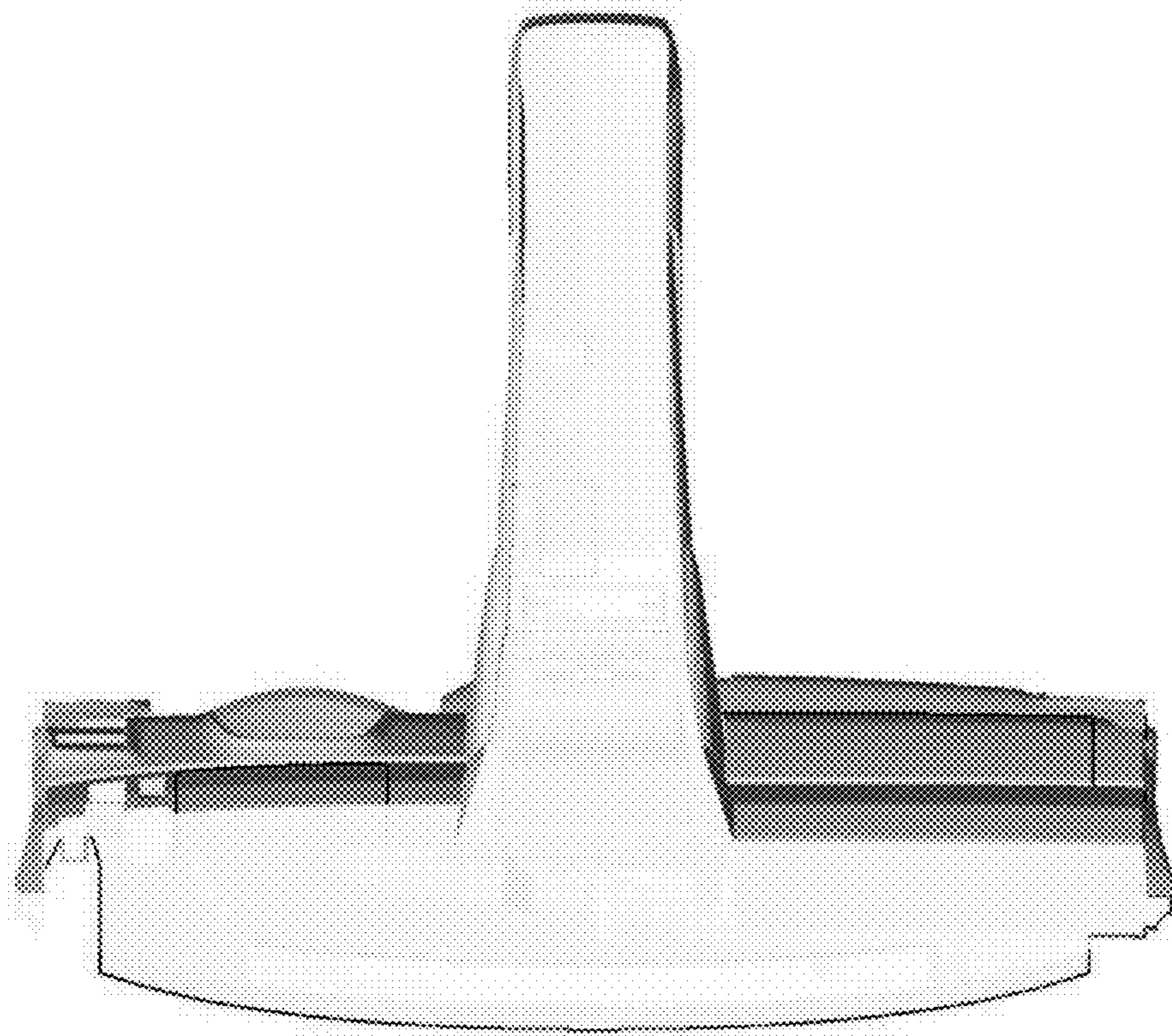


FIG. 7

UNITED STATES PATENT AND TRADEMARK OFFICE
CERTIFICATE OF CORRECTION

PATENT NO. : D704,610 S
APPLICATION NO. : 29/444123
DATED : May 13, 2014
INVENTOR(S) : Yasuhiko Mizuhata et al.

Page 1 of 1

It is certified that error appears in the above-identified patent and that said Letters Patent is hereby corrected as shown below:

On the Title Page

Line 14 of the DESCRIPTION, insert: --an-- after “for” and before “automobile.”

Signed and Sealed this
Twelfth Day of August, 2014



Michelle K. Lee
Deputy Director of the United States Patent and Trademark Office