



US00D704608S

(12) **United States Design Patent**  
**Kanda et al.**

(10) **Patent No.:** **US D704,608 S**  
(45) **Date of Patent:** **\*\* May 13, 2014**

(54) **INSTRUMENT PANEL**

(75) Inventors: **Kiminori Kanda**, Toyota (JP); **Ai Okawa**, Toyota (JP); **Atsushi Narita**, Nisshin (JP); **Mayumi Hirokawa**, Toyota (JP)

(73) Assignee: **Toyota Jidosha Kabushiki Kaisha**, Toyota-shi, Aichi-ken (JP)

(\*\*) Term: **14 Years**

(21) Appl. No.: **29/425,152**

(22) Filed: **Jun. 20, 2012**

(30) **Foreign Application Priority Data**

Dec. 27, 2011 (JP) ..... 2011-030129

(51) **LOC (10) Cl.** ..... **12-16**

(52) **U.S. Cl.**  
USPC ..... **D12/192**

(58) **Field of Classification Search**  
USPC ..... D12/192, 415, 110, 114; 180/90;  
280/750-752; 296/190.01-190.09,  
296/191, 70; D15/7, 28; D10/46, 98,  
D10/102-103, 122-127

See application file for complete search history.

(56) **References Cited**

**U.S. PATENT DOCUMENTS**

D499,998	S	*	12/2004	Tanaka et al.	.....	D12/192
D519,893	S	*	5/2006	Kabayama et al.	.....	D12/192
D534,467	S	*	1/2007	Pfeiffer	.....	D12/192
D549,628	S	*	8/2007	Esaki et al.	.....	D12/192
D558,656	S	*	1/2008	Tanaka et al.	.....	D12/192
7,334,816	B2	*	2/2008	Zierle et al.	.....	280/752
D571,272	S	*	6/2008	Esaki et al.	.....	D12/192
D625,233	S	*	10/2010	Mizuhata et al.	.....	D12/192
D641,673	S	*	7/2011	Zimmermann et al.	.....	D12/192

D654,004	S	*	2/2012	Hamajima et al.	.....	D12/192
D656,074	S	*	3/2012	Ohmori et al.	.....	D12/192
D656,441	S	*	3/2012	Cheung et al.	.....	D12/192

**OTHER PUBLICATIONS**

Netcarshow.com; Lexus LS460; Mfg. Toyota; [http://www.netcarshow.com/lexus/2013-ls\\_460/1600x1200/wallpaper\\_06.htm](http://www.netcarshow.com/lexus/2013-ls_460/1600x1200/wallpaper_06.htm); (Mar. 2011).

Netcarshow.com; BMW 5 series; Mfg. BMW; <http://bmw.co.jp/jp/ja/newvehicles/5series/sedan/2010/showroom/gallery/index.html#medialID-22>; (Mar. 2011).

Netcarshow.com; Mercedes Benz Shooting Break Concept; Mfg. Mercedes Benz; [http://www.netcarshow.com/mercedes-benz/2010-shooting\\_break\\_concept/1280x960/wallpaper\\_14.htm](http://www.netcarshow.com/mercedes-benz/2010-shooting_break_concept/1280x960/wallpaper_14.htm); (Mar. 2011).

\* cited by examiner

*Primary Examiner* — Katrina A Betton

(74) *Attorney, Agent, or Firm* — Finnegan, Henderson, Farabow, Garrett & Dunner, LLP

(57) **CLAIM**

The ornamental design for an instrument panel, as shown and described.

**DESCRIPTION**

FIG. 1 is a perspective view of an instrument panel showing our new design;

FIG. 2 is a front view thereof;

FIG. 3 is a rear view thereof;

FIG. 4 is a right side elevation view thereof;

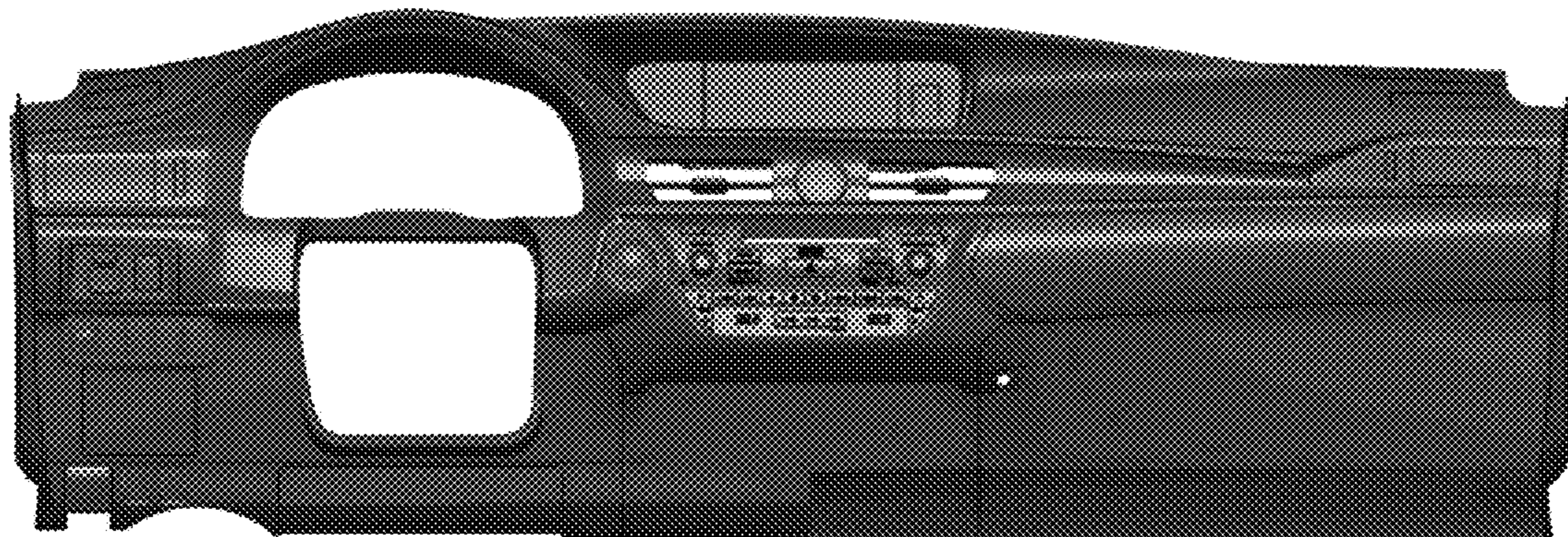
FIG. 5 is a left side elevation view thereof;

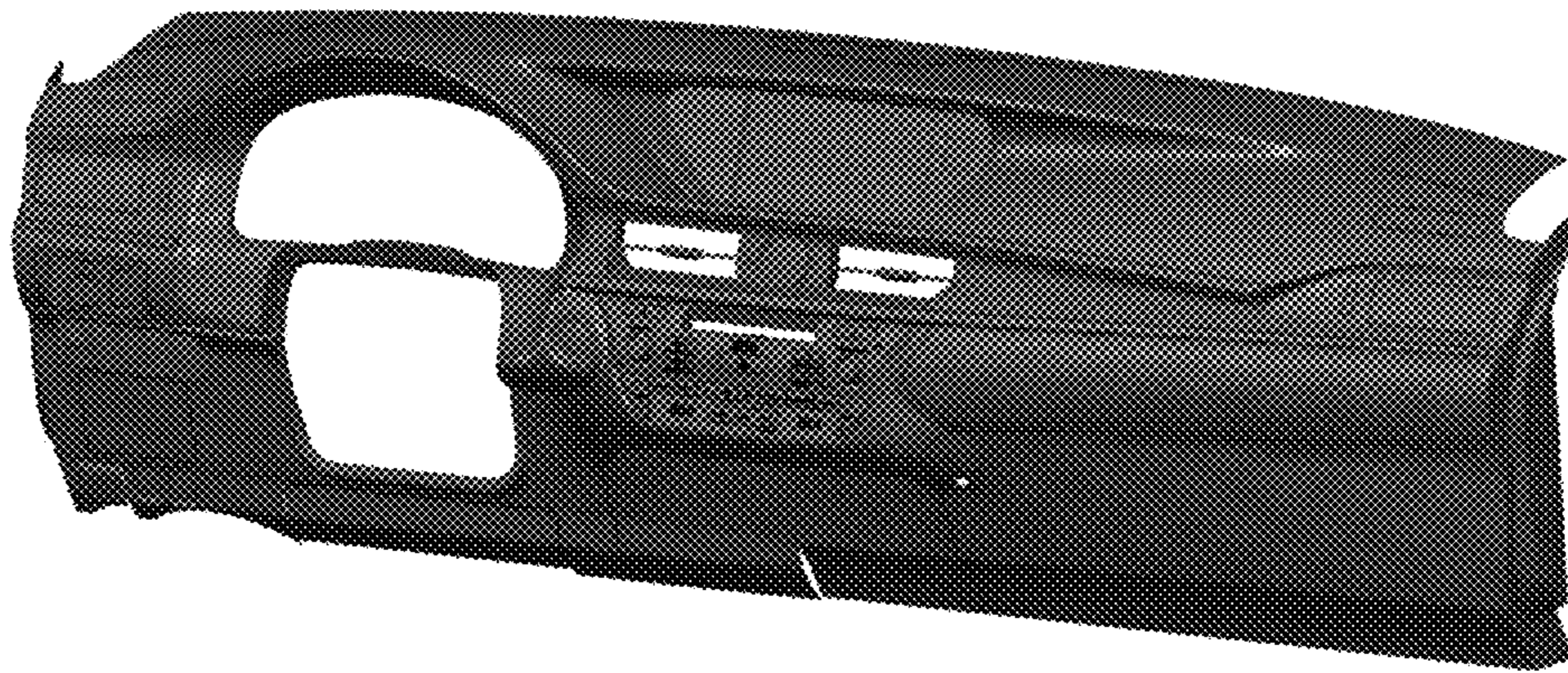
FIG. 6 is a top plan view thereof; and,

FIG. 7 is a bottom view thereof.

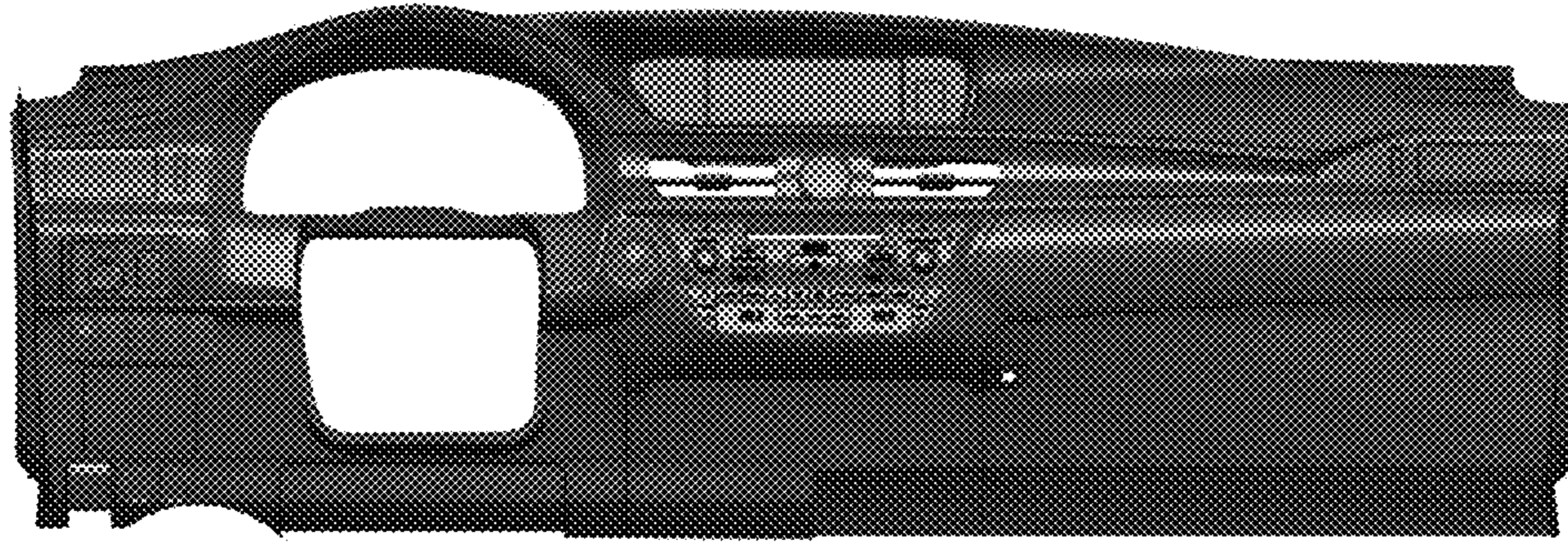
Our design includes a mirror image of the embodiment depicted.

**1 Claim, 4 Drawing Sheets**

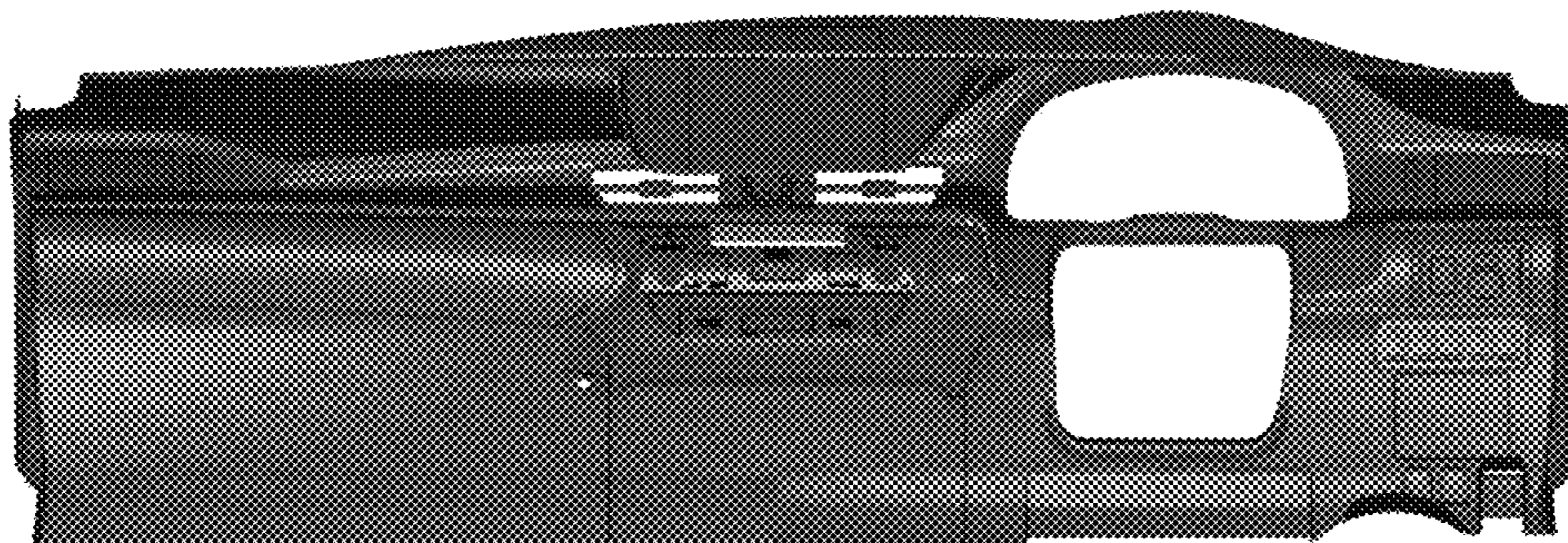




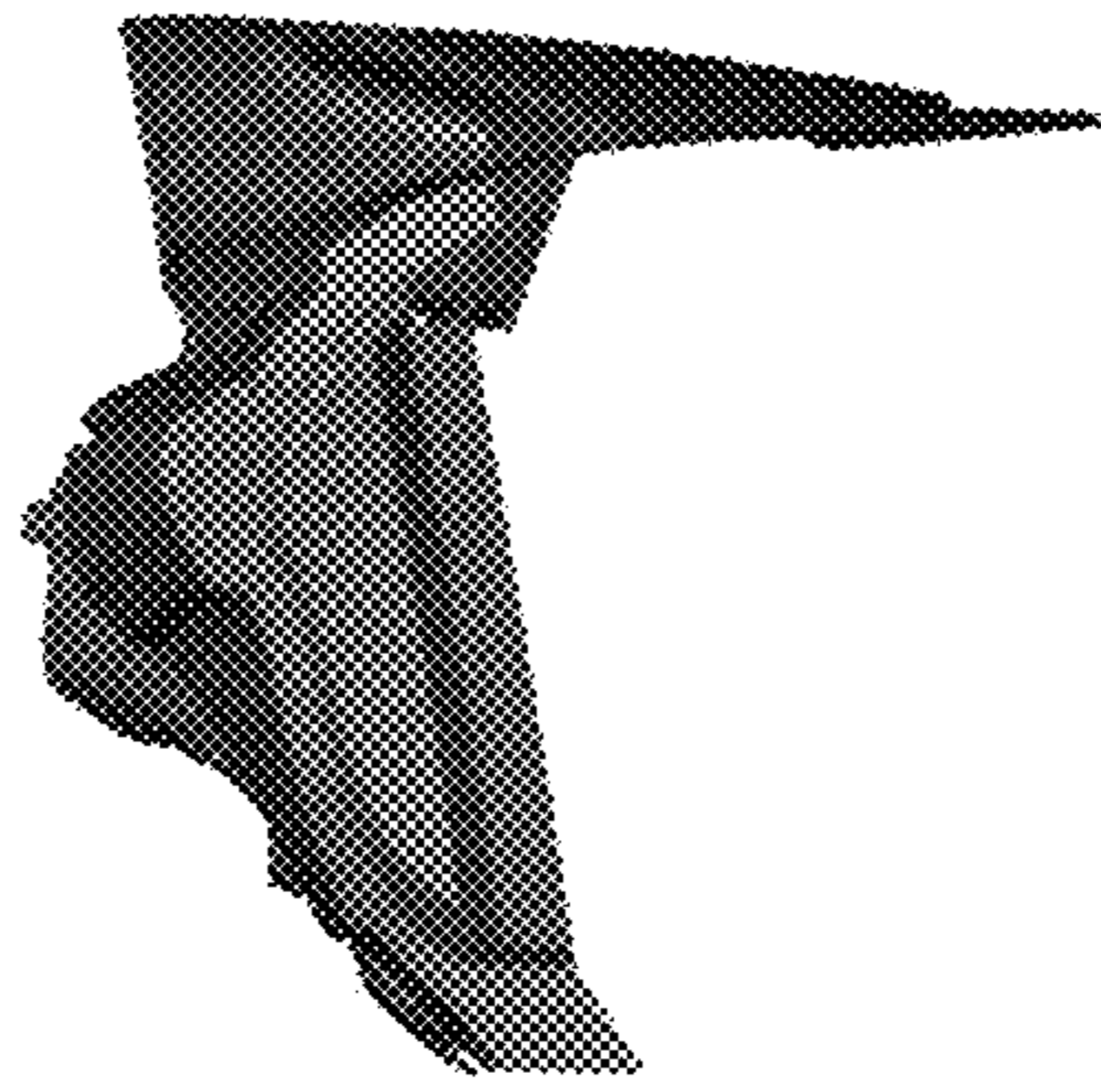
**FIG. 1**



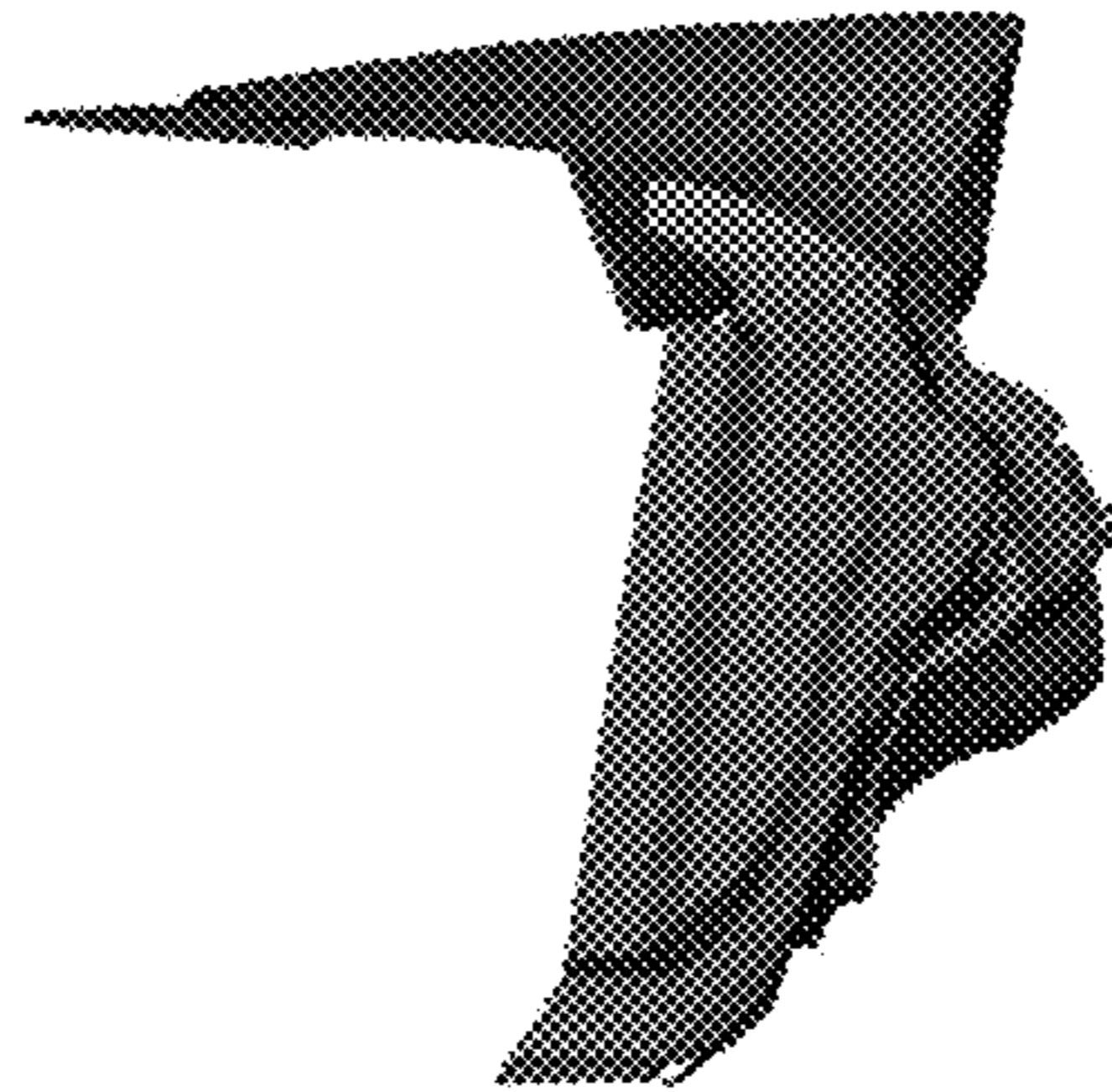
**FIG. 2**



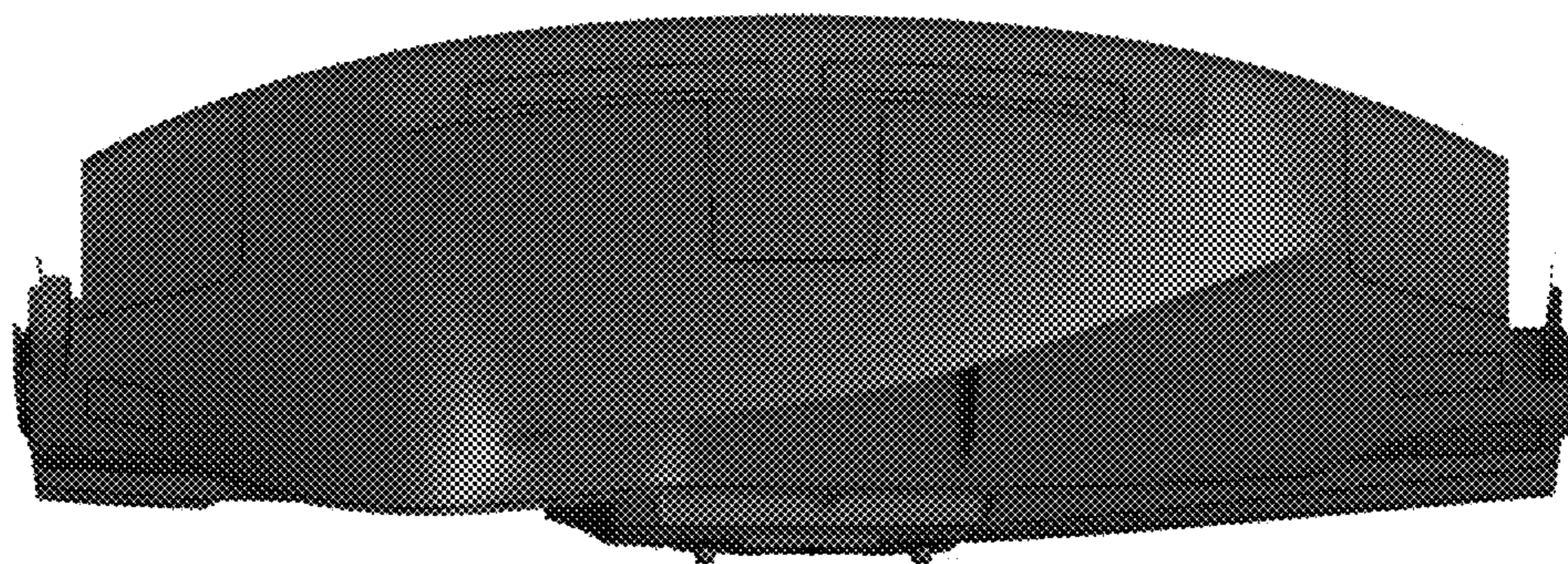
**FIG. 3**



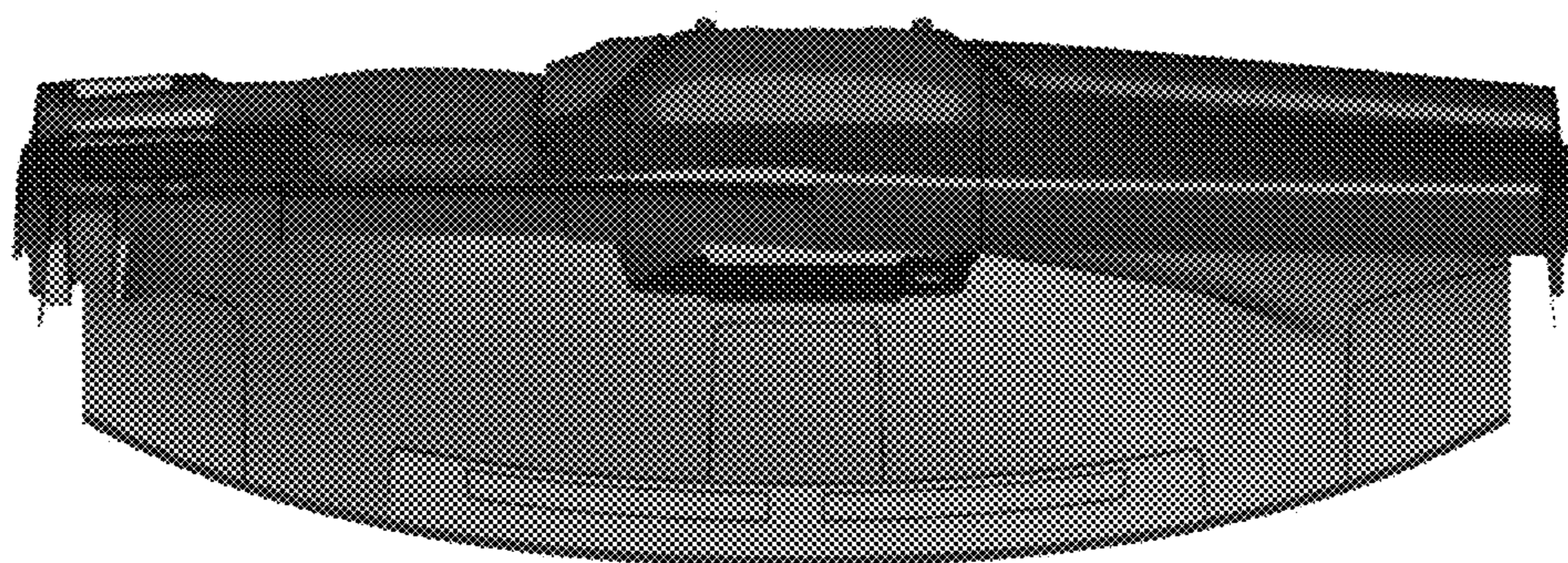
**FIG. 4**



**FIG. 5**



**FIG. 6**



**FIG. 7**