



US00D704607S

(12) **United States Design Patent**
Thurber

(10) **Patent No.:** **US D704,607 S**

(45) **Date of Patent:** **** May 13, 2014**

(54) **VEHICLE FRONT FENDER**

(75) Inventor: **Joshua L. Thurber**, New Baltimore, MI (US)

(73) Assignee: **GM Global Technology Operations LLC**, Detroit, MI (US)

(**) Term: **14 Years**

(21) Appl. No.: **29/413,118**

(22) Filed: **Feb. 10, 2012**

(51) **LOC (10) Cl.** **12-16**

(52) **U.S. Cl.**
USPC **D12/184**

(58) **Field of Classification Search**
USPC D12/90, 91, 92, 181, 184, 196;
280/152.1, 847, 848, 849, 851;
296/180.1, 180.5
See application file for complete search history.

(56) **References Cited**

U.S. PATENT DOCUMENTS

D503,912 S *	4/2005	Metros et al.	D12/184
D576,090 S *	9/2008	Zavatski et al.	D12/184
D583,736 S *	12/2008	Schiavone et al.	D12/184
D597,459 S *	8/2009	Wagner et al.	D12/184

D598,347 S *	8/2009	Mattin et al.	D12/184
D603,773 S *	11/2009	Schiavone et al.	D12/184
D607,798 S *	1/2010	Weil	D12/184
D615,012 S *	5/2010	Ectors et al.	D12/181
D615,013 S *	5/2010	Lamm et al.	D12/181
D630,985 S *	1/2011	Matei et al.	D12/181
D642,101 S *	7/2011	Faghihzadeh	D12/181
D669,405 S *	10/2012	Gifford	D12/184
D669,829 S *	10/2012	Iwao et al.	D12/184

* cited by examiner

Primary Examiner — Philip S Hyder

Assistant Examiner — Darlington Ly

(74) *Attorney, Agent, or Firm* — Parks IP Law LLC; Mickki D. Murray, Esq.

(57) **CLAIM**

I claim the ornamental design for a vehicle front fender, as shown and described.

DESCRIPTION

FIG. 1 is perspective view of a vehicle front fender showing the new design;

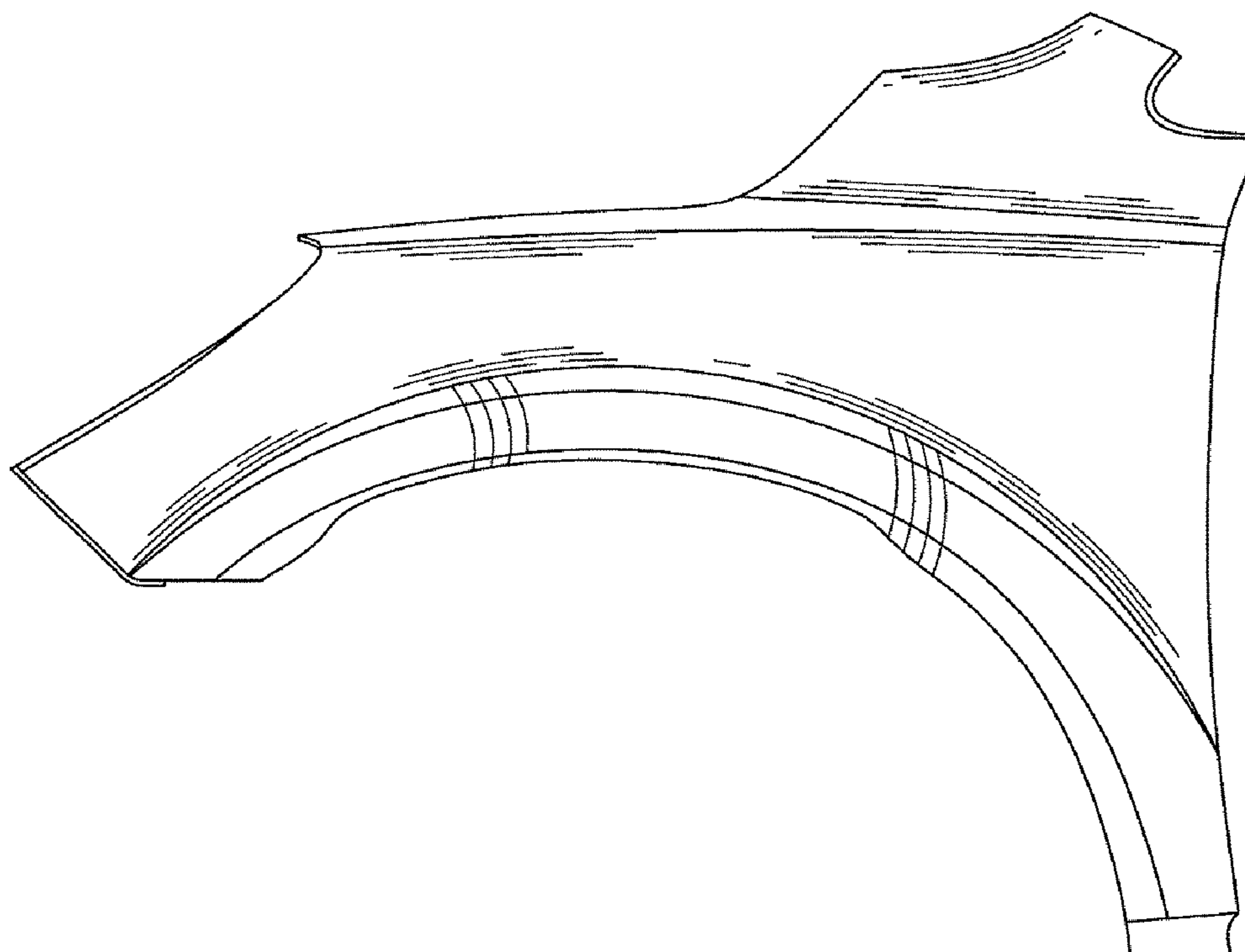
FIG. 2 is a front view, thereof;

FIG. 3 is a side view, thereof; and,

FIG. 4 is a top plan view, thereof.

The broken lines shown in the drawings illustrate portions of the vehicle front fender that form no part of the claimed design.

1 Claim, 1 Drawing Sheet



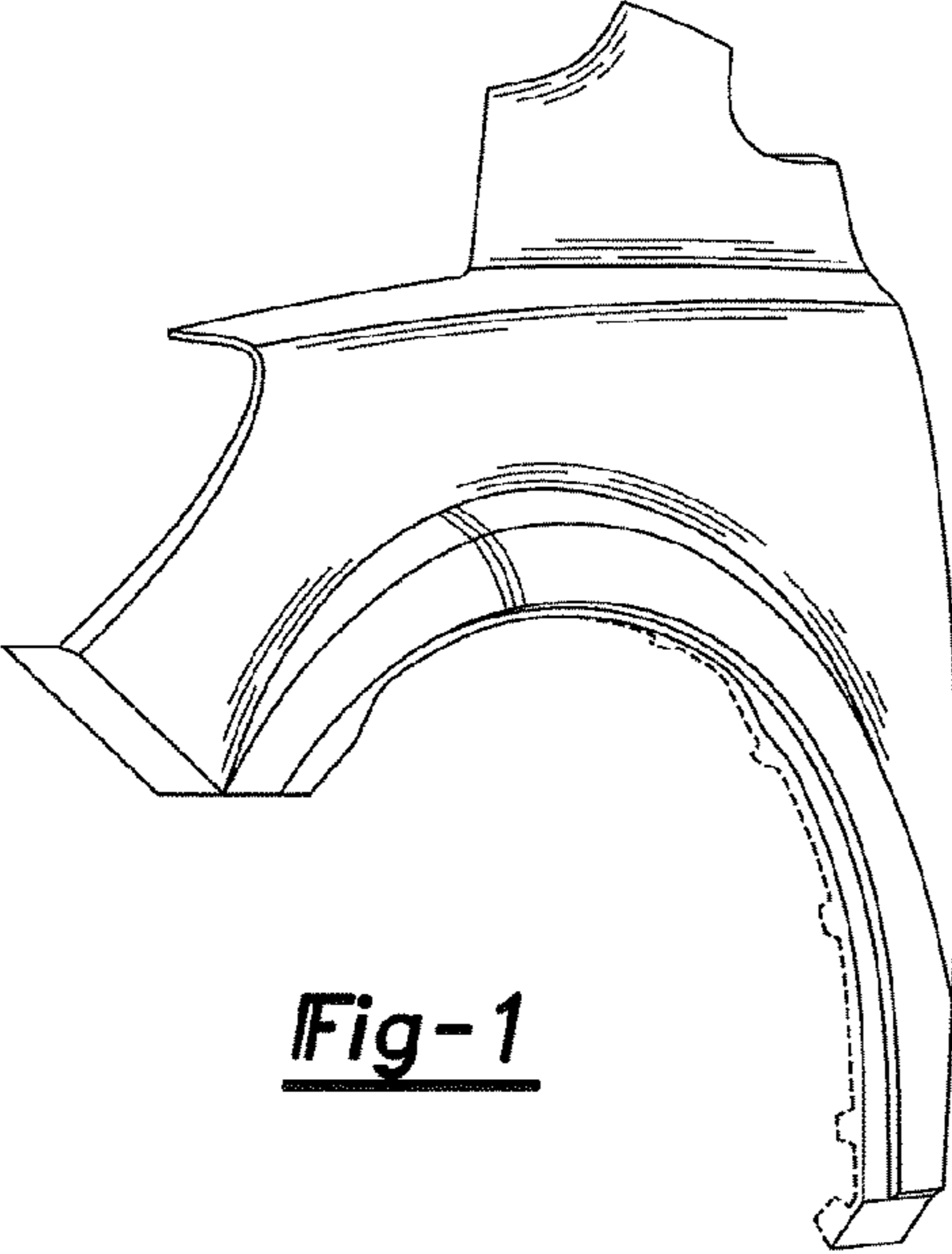


Fig-1

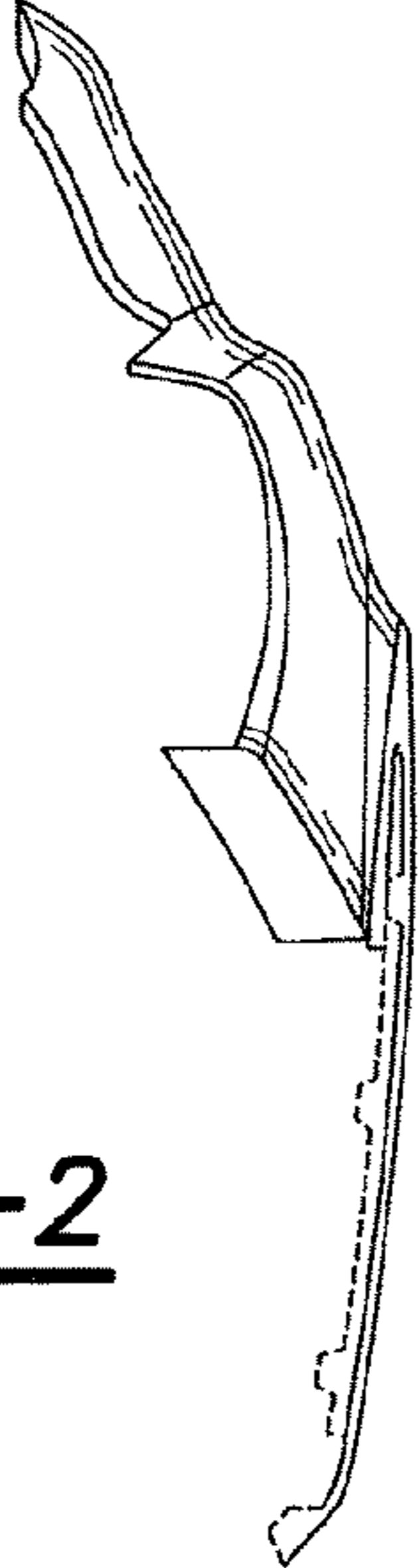


Fig-2

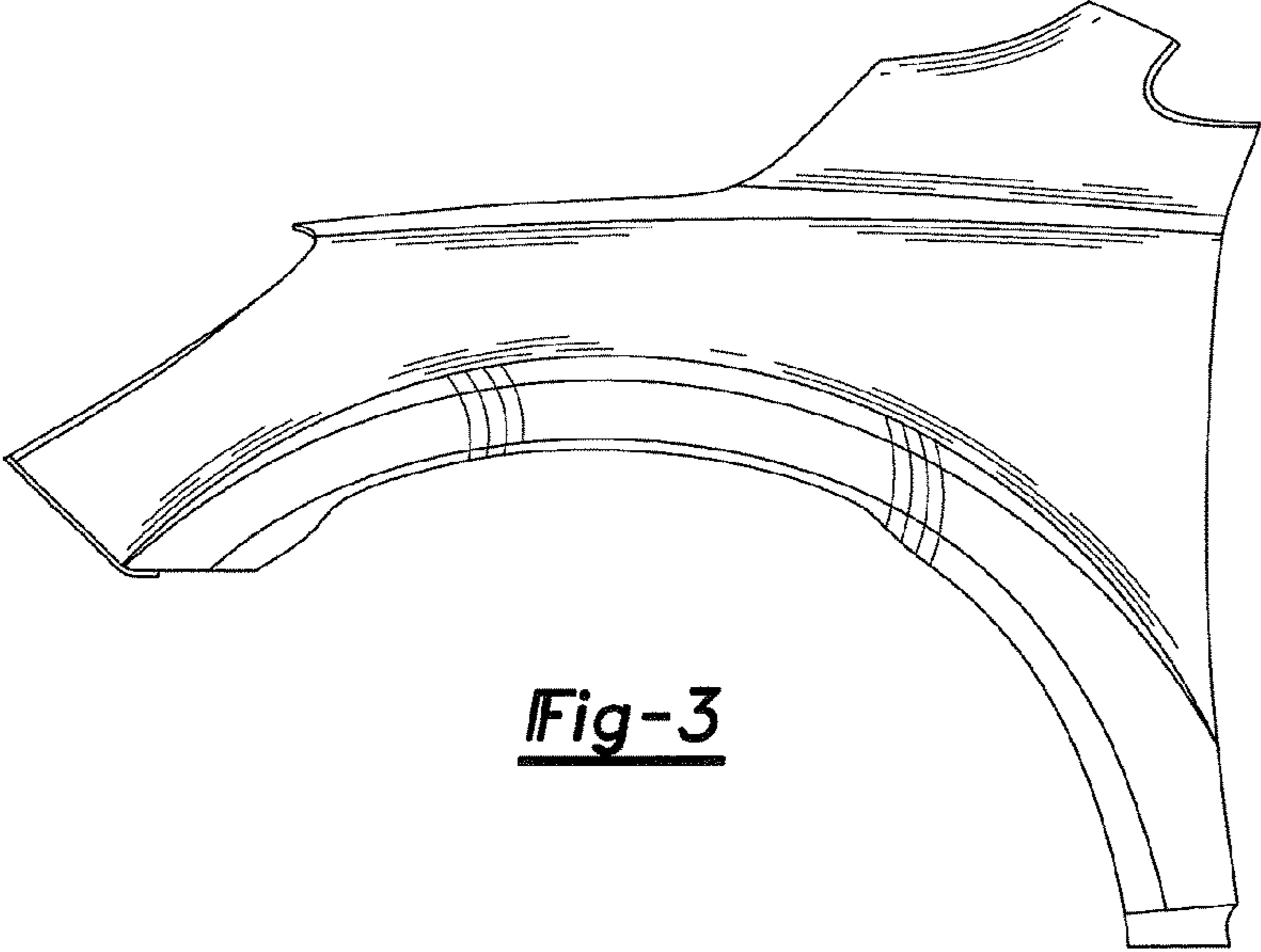


Fig-3

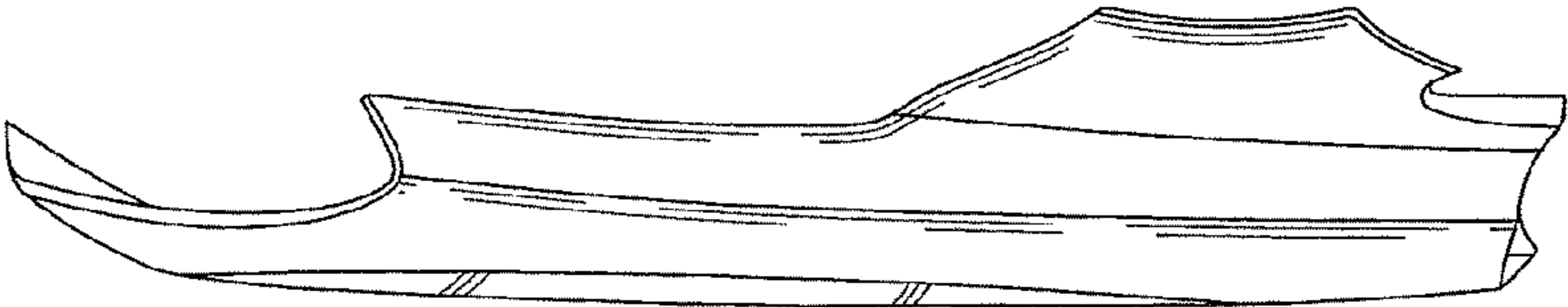


Fig-4