



US00D704606S

(12) **United States Design Patent**  
**Kirtland**

(10) **Patent No.:** **US D704,606 S**

(45) **Date of Patent:** **\*\* May 13, 2014**

(54) **VEHICLE BUMPER WITH INTERNAL STORAGE AND EXTERNAL MOUNTING POINTS**

D645,799 S 9/2011 Beigel et al.  
D654,836 S 2/2012 Rao  
D684,509 S \* 6/2013 Noll ..... D12/172

(76) Inventor: **Ralph Preston Kirtland**, Staunton, VA (US)

(\*\*) Term: **14 Years**

(21) Appl. No.: **29/428,241**

(22) Filed: **Jul. 27, 2012**

(51) **LOC (10) Cl.** ..... **12-16**

(52) **U.S. Cl.**  
USPC ..... **D12/172**; D12/190

(58) **Field of Classification Search**  
USPC ..... D12/163, 167, 168, 172, 193, 400;  
D25/119, 121, 122, 123, 124; D26/34;  
293/108, 115, 142; 40/200, 204, 209  
See application file for complete search history.

(56) **References Cited**

**U.S. PATENT DOCUMENTS**

D74,978 S	4/1928	Jandus et al.	
D233,033 S *	10/1974	Donne .....	D25/122
4,083,592 A *	4/1978	Rubin et al. ....	52/717.05
4,335,840 A *	6/1982	Williams .....	224/315
4,546,021 A *	10/1985	Mears .....	428/31
D297,924 S	10/1988	Trinnaman	
D329,999 S *	10/1992	Vourakes et al. ....	D12/413
5,460,306 A *	10/1995	Rudd .....	224/557
D451,870 S *	12/2001	Hurayt .....	D12/190
6,499,248 B2 *	12/2002	Thompson .....	43/21.2
D484,080 S *	12/2003	Yamamoto et al. ....	D12/190
6,726,261 B2 *	4/2004	Goto et al. ....	293/120
7,165,703 B1 *	1/2007	Howe .....	224/406
D563,840 S	3/2008	Simons et al.	
D565,484 S	4/2008	Johnson et al.	
D624,471 S *	9/2010	Green .....	D12/169

**OTHER PUBLICATIONS**

RV Sewer Hose Storage Option. www.rvtravel.com. Feb. 17, 2008 [online], [retrieved on Jul. 3, 2013]. Retrieved from the Internet <URL: http://rvtravel.com/blog/rvnow/2008/02/rv-sewer-hose-storage-option.html>.\*

E-Z Hose Carrier. www.campingworld.com. Jul. 17, 2008 [online], [retrieved on Jul. 3, 2013]. Retrieved from the Internet <URL: http://www.campingworld.com/shopping/product/e-z-hose-carrier/1483>.\*

\* cited by examiner

*Primary Examiner* — Philip S Hyder

*Assistant Examiner* — Darlington Ly

(57) **CLAIM**

The ornamental design for a vehicle bumper with internal storage and external mounting points, as shown and described.

**DESCRIPTION**

FIG. 1 is a top, right side perspective view, of a vehicle bumper with internal storage and external mounting points showing my new design, wherein the end is sealed.

FIG. 2 is a top, left perspective view thereof;

FIG. 3 is a top, right side perspective view, wherein the end is unsealed;

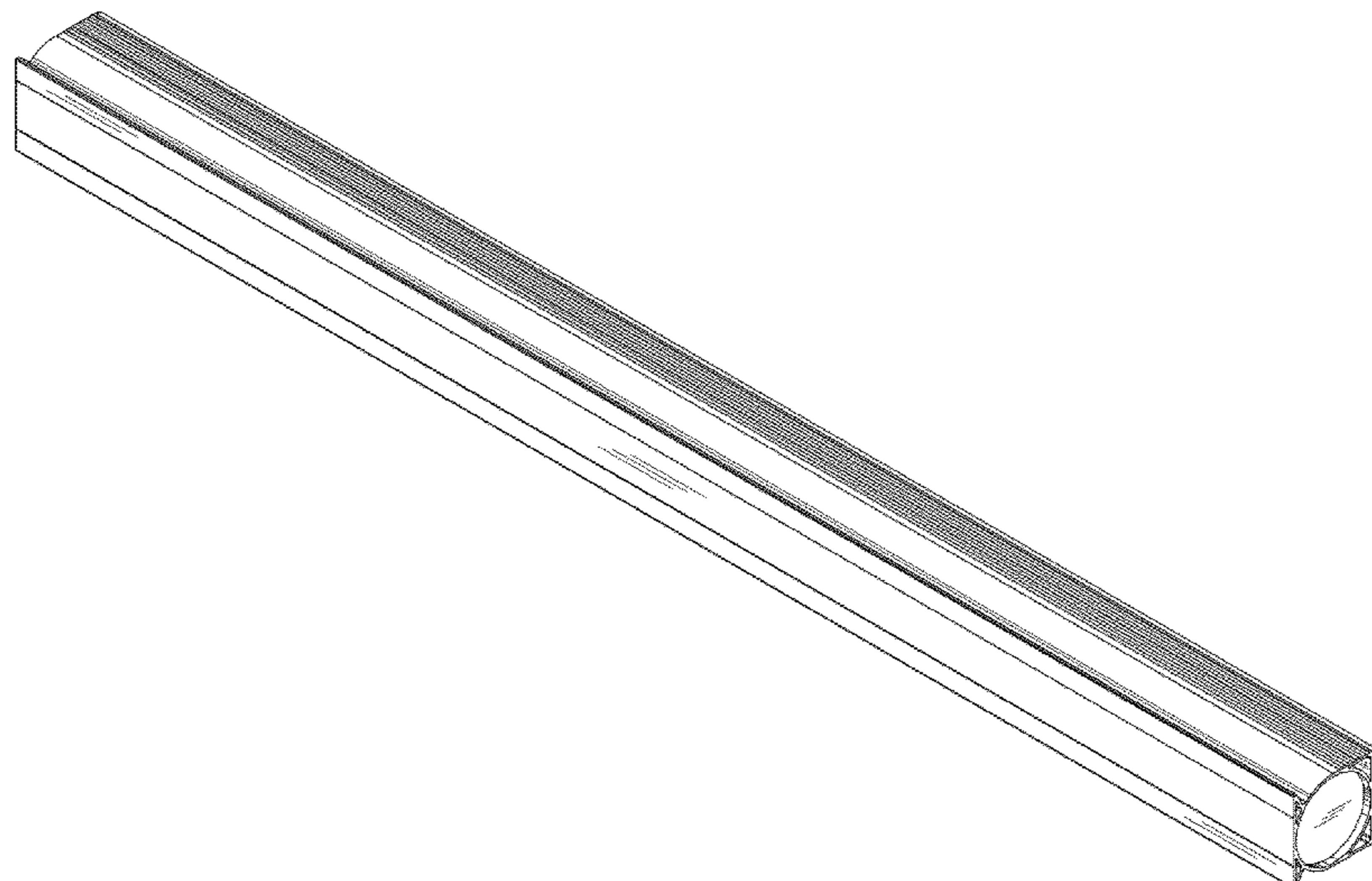
FIG. 4 is a top, left side perspective view thereof;

FIG. 5 is a bottom, right side perspective view thereof;

FIG. 6 is an enlarged end view thereof; and,

FIG. 7 is a top, right side perspective view showing my new design mounted on a travel trailer.

**1 Claim, 3 Drawing Sheets**



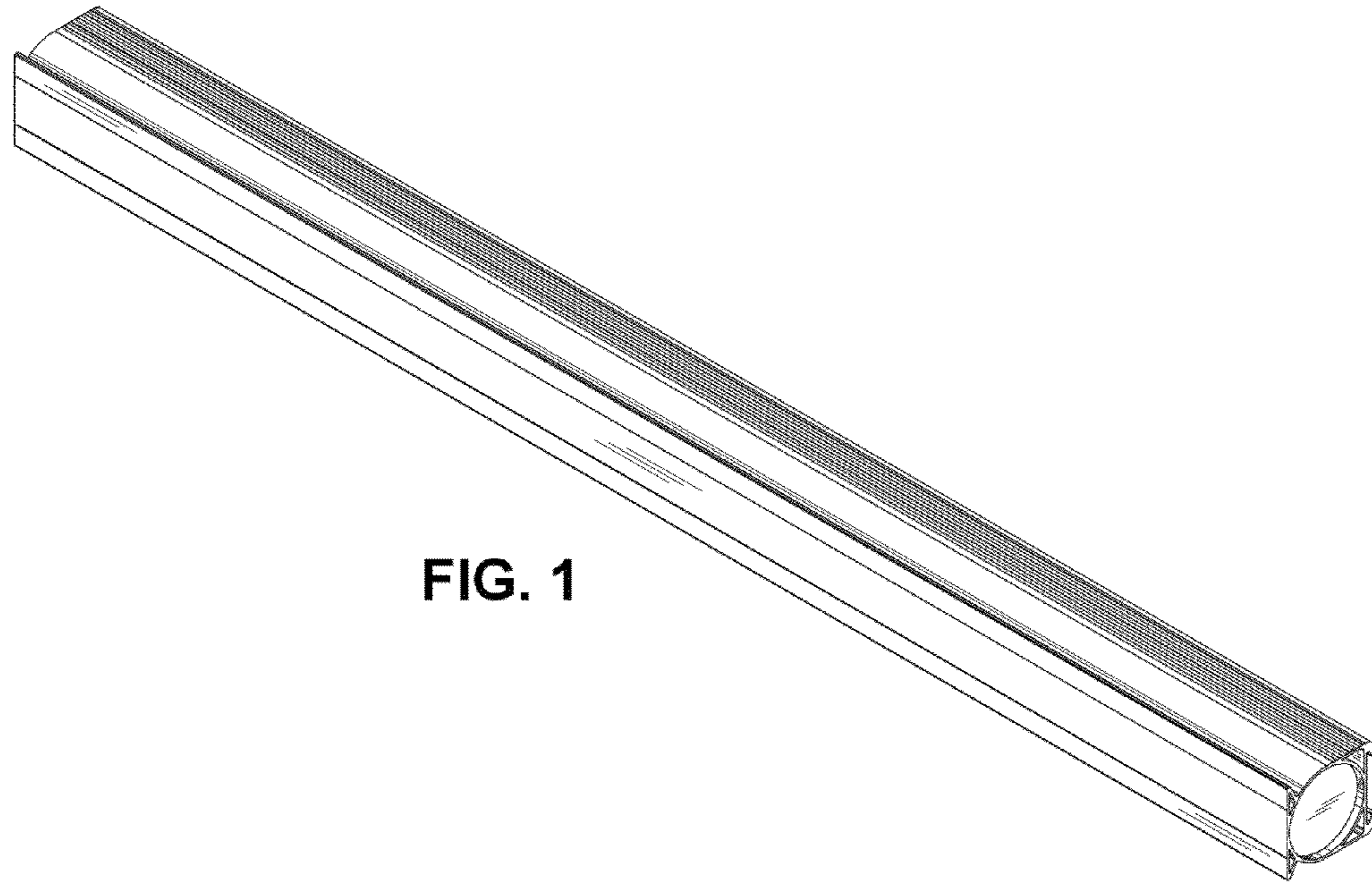


FIG. 1

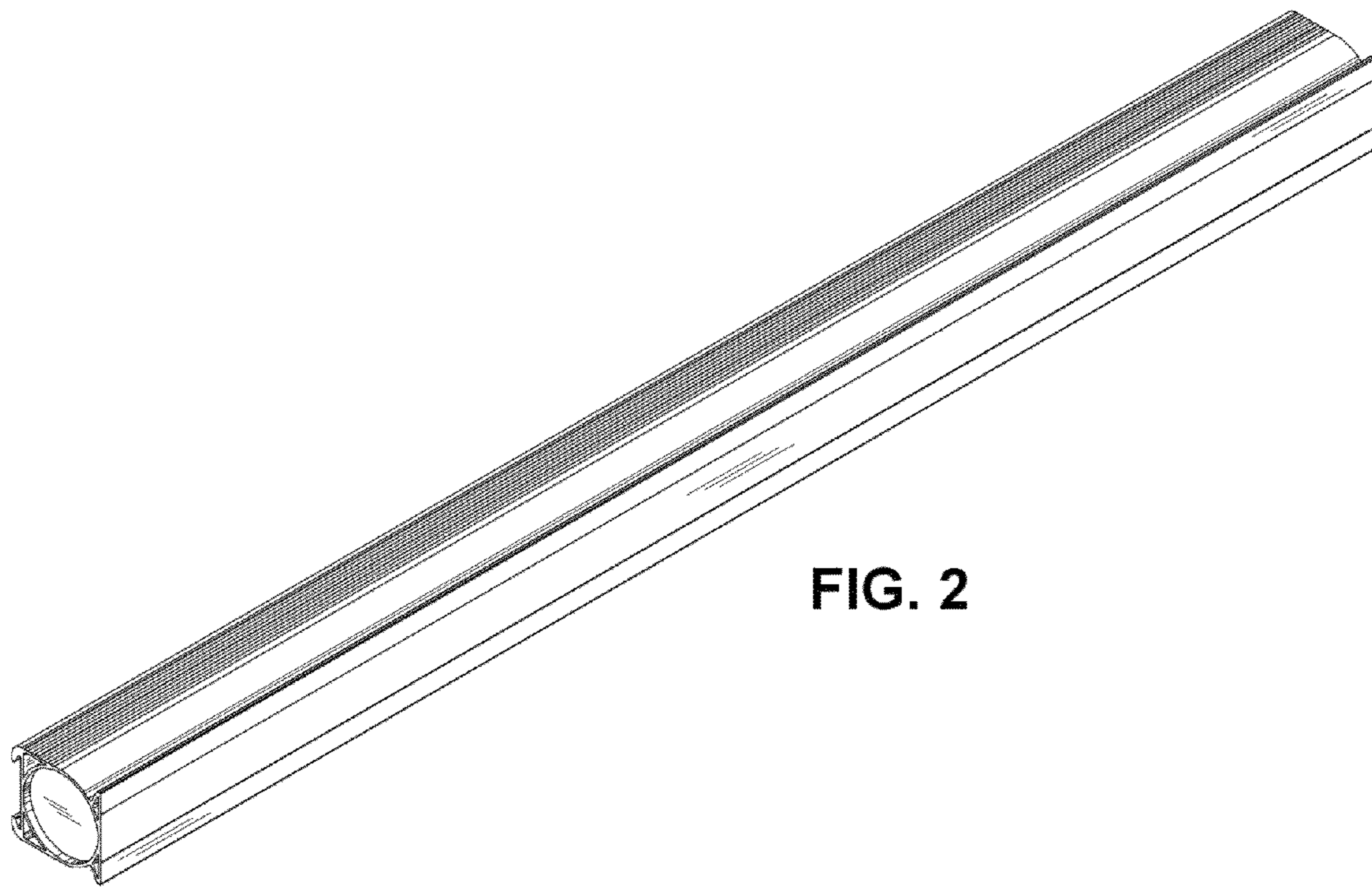


FIG. 2

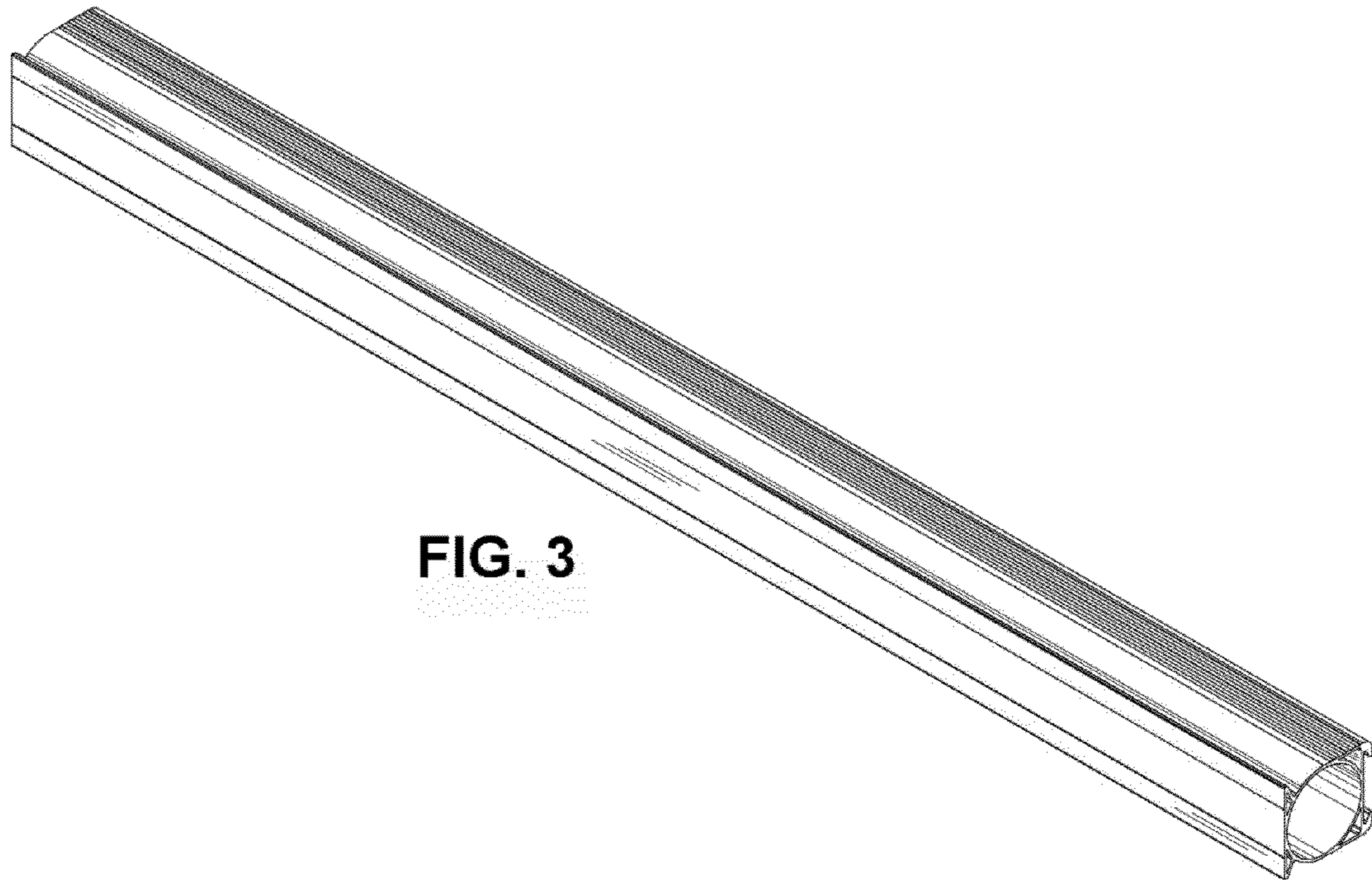


FIG. 3

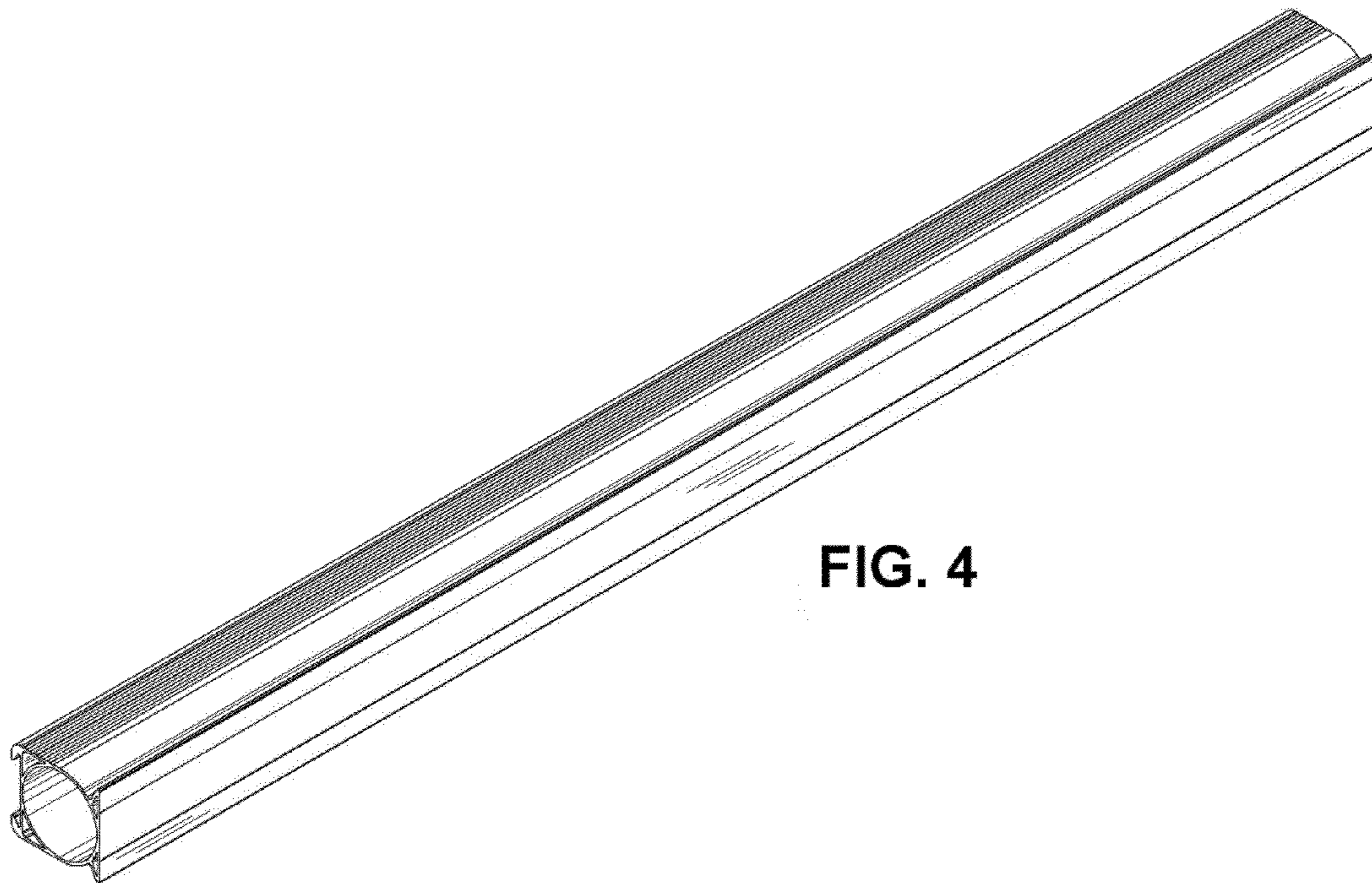


FIG. 4

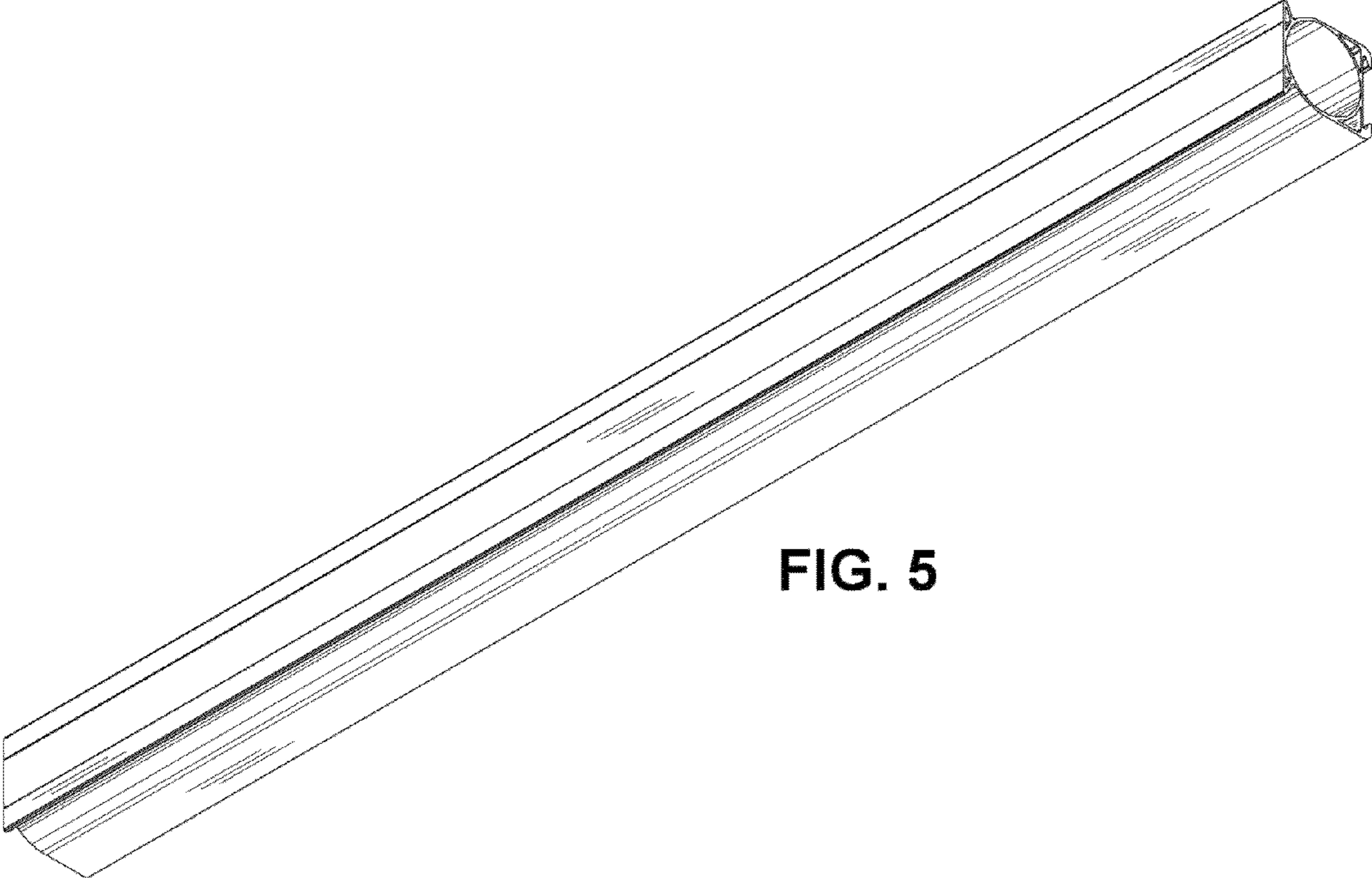


FIG. 5

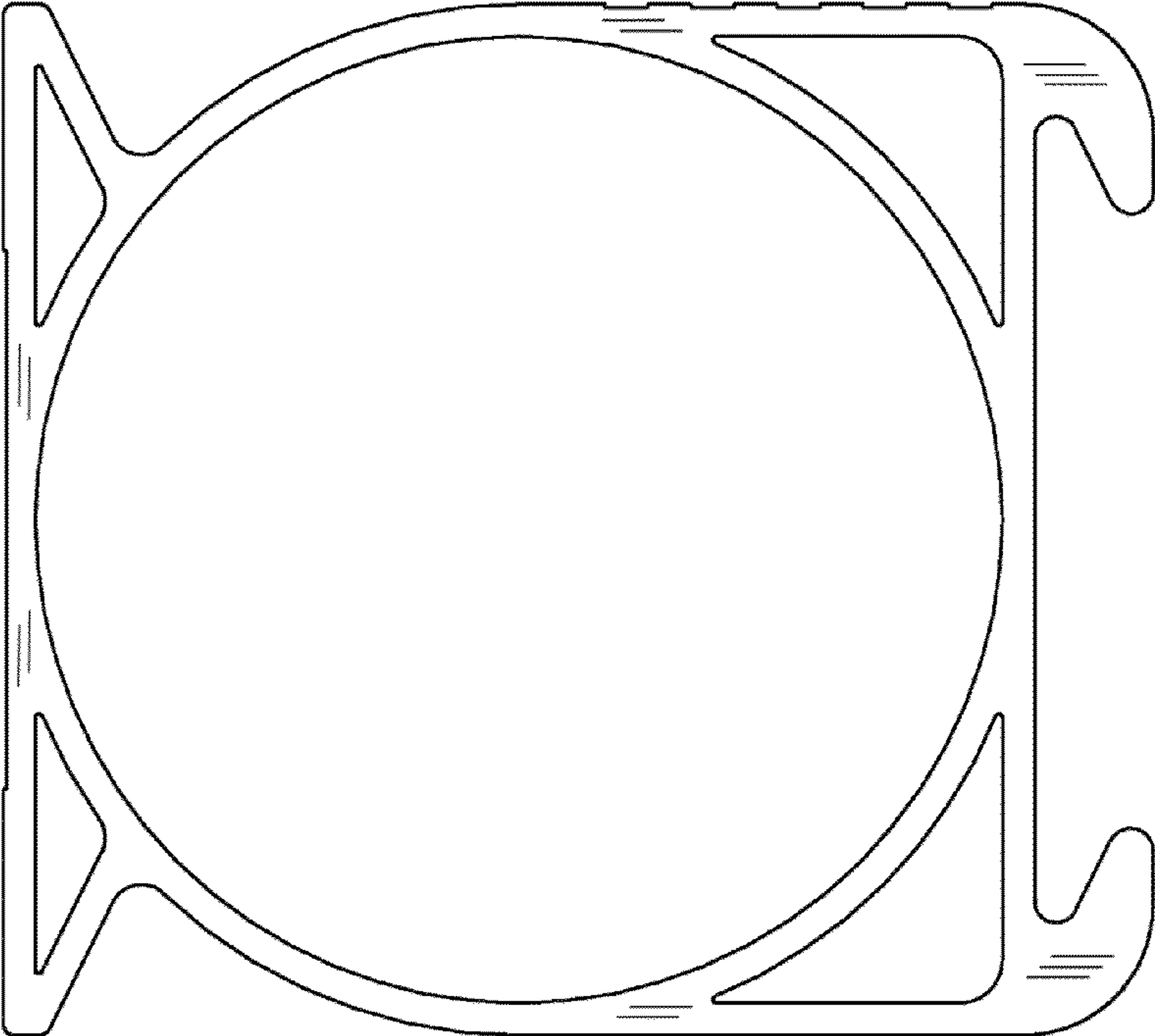


FIG. 6