



US00D704602S

(12) **United States Design Patent**
Frenzel et al.

(10) **Patent No.:** **US D704,602 S**
(45) **Date of Patent:** **** May 13, 2014**

(54) **FRONT PORTION OF A VEHICLE, TOY,
AND/OR REPLICAS THEREOF**

Primary Examiner — Melody Brown
(74) *Attorney, Agent, or Firm* — Crowell & Moring LLP

(75) Inventors: **Klaus Frenzel**, Stuttgart (DE);
Hans-Dieter Futschik, Stuttgart (DE);
Steffen Koehl, Stuttgart (DE); **Minchul
Koo**, Stuttgart (DE); **Volker Leutz**,
Stuttgart (DE); **Gorden Wagener**,
Stuttgart (DE)

(57) **CLAIM**
The ornamental design for a front portion of a vehicle, toy,
and/or replicas thereof, as shown and described.

DESCRIPTION

(73) Assignee: **Daimler AG**, Stuttgart (DE)

This application contains subject matter related to the follow-
ing co-pending U.S. design patent applications:
Application Ser. No. 29/391,316, filed herewith and entitled
“Vehicle, Toy, and/or Replicas Thereof”;
Application Ser. No. 29/371,281, filed Dec. 20, 2010 and
entitled “Radiator Grill for a Vehicle;”
Application Ser. No. 29/371,282, filed Dec. 20, 2010 and
entitled “Front Bumper for a Vehicle;”
Application Ser. No. 29/371,283, filed Dec. 20, 2010 and
entitled “Front Bumper for a Vehicle;”
Application Ser. No. 29/371,341, filed Jan. 6, 2011 and
entitled “Headlight for a Vehicle;”
Application Ser. No. 29/371,340, filed Jan. 6, 2011 and
entitled “Headlight for a Vehicle;”
Application Ser. No. 29/371,339, filed Jan. 6, 2011 and
entitled “Headlight for a Vehicle;”
Application Ser. No. 29/311,765, filed Jun. 15, 2009 and
entitled “Vehicle and Vehicle Shaped Articles;” and
Application Ser. No. 29/311,767, filed Jun. 15, 2009 and
entitled “Front Portion of a Vehicle and Vehicle Shaped
Articles.”

(**) Term: **14 Years**

(21) Appl. No.: **29/391,322**

(22) Filed: **May 6, 2011**

(51) **LOC (10) Cl.** **12-16**

(52) **U.S. Cl.**
USPC **D12/164**

(58) **Field of Classification Search**
USPC D12/86, 90–92, 164, 196; D21/424,
D21/433, 434; 296/181.1, 181.5
See application file for complete search history.

FIG. 1 is a right, front perspective view of a front portion of a
vehicle, toy, and/or replicas thereof according to our design,
the left, front perspective view being mirror symmetrical;
FIG. 2 is a front view thereof; and,
FIG. 3 is a right side view thereof, the left side view being
mirror symmetrical.
The broken lines are for illustrative purposes only and form
no part of the claimed design.

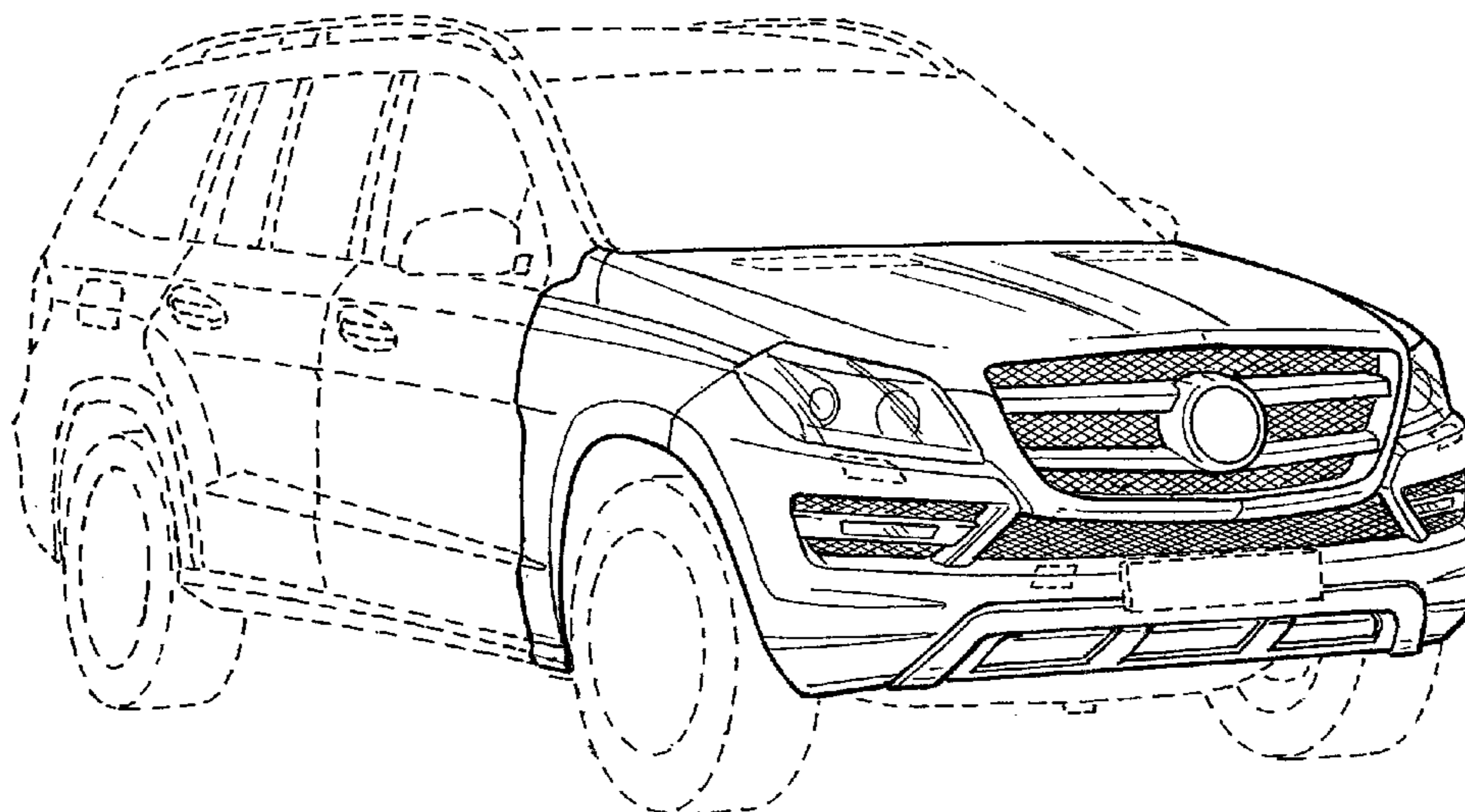
(56) **References Cited**

U.S. PATENT DOCUMENTS

D536,807 S	2/2007	Pfeiffer	
D538,954 S	3/2007	Pfeiffer	
D544,404 S	6/2007	Pfeiffer	
D615,464 S *	5/2010	Frei et al.	D12/164
D617,682 S *	6/2010	Frei et al.	D12/91
D634,678 S *	3/2011	Futschik et al.	D12/164
D643,339 S *	8/2011	Burki et al.	D12/91
D643,348 S *	8/2011	Burki et al.	D12/164
D643,787 S *	8/2011	Burki et al.	D12/164
D650,312 S *	12/2011	Fetherston et al.	D12/164
D658,552 S *	5/2012	Fetherston et al.	D12/164

* cited by examiner

1 Claim, 2 Drawing Sheets



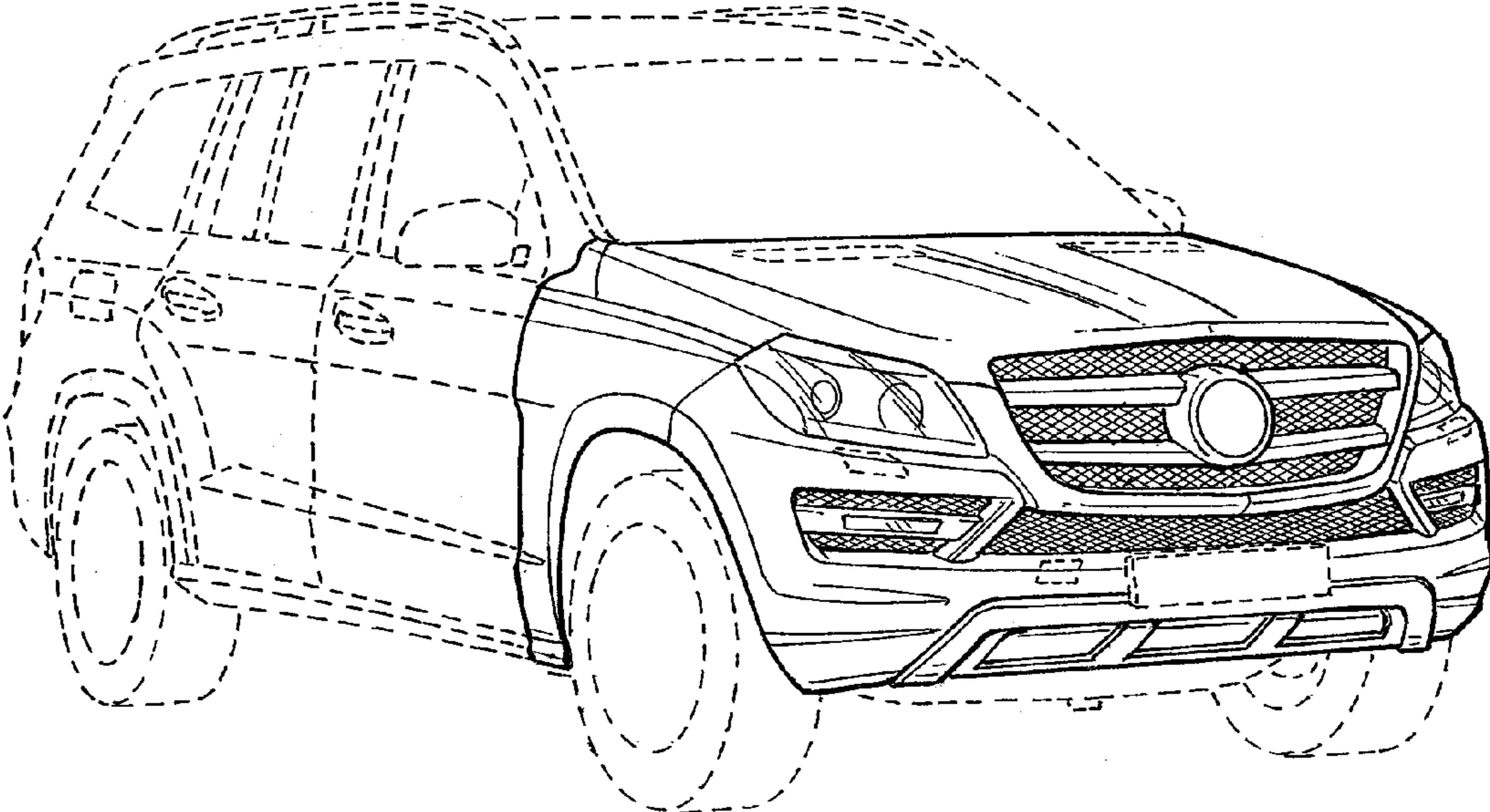


FIG. 1

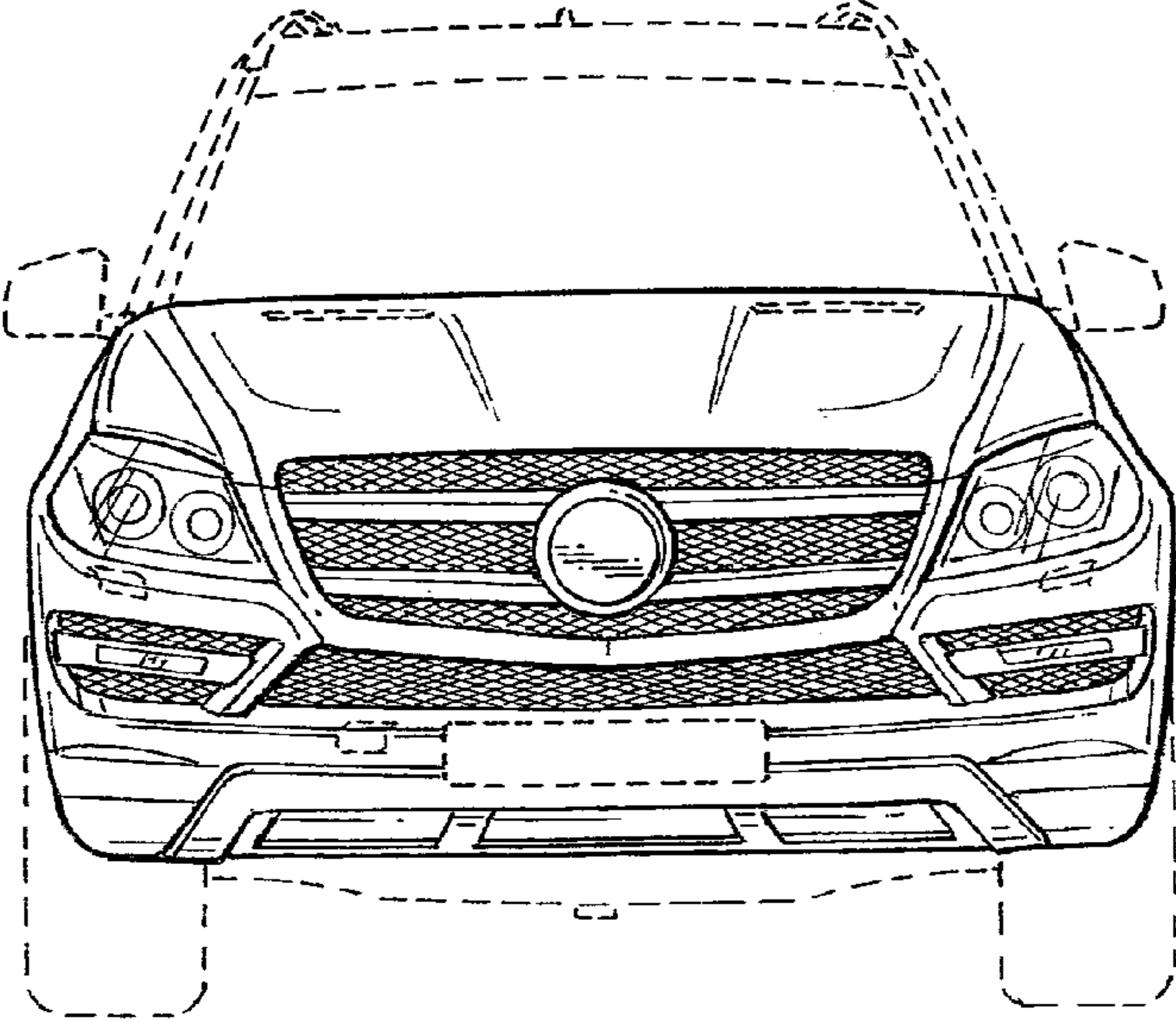


FIG. 2

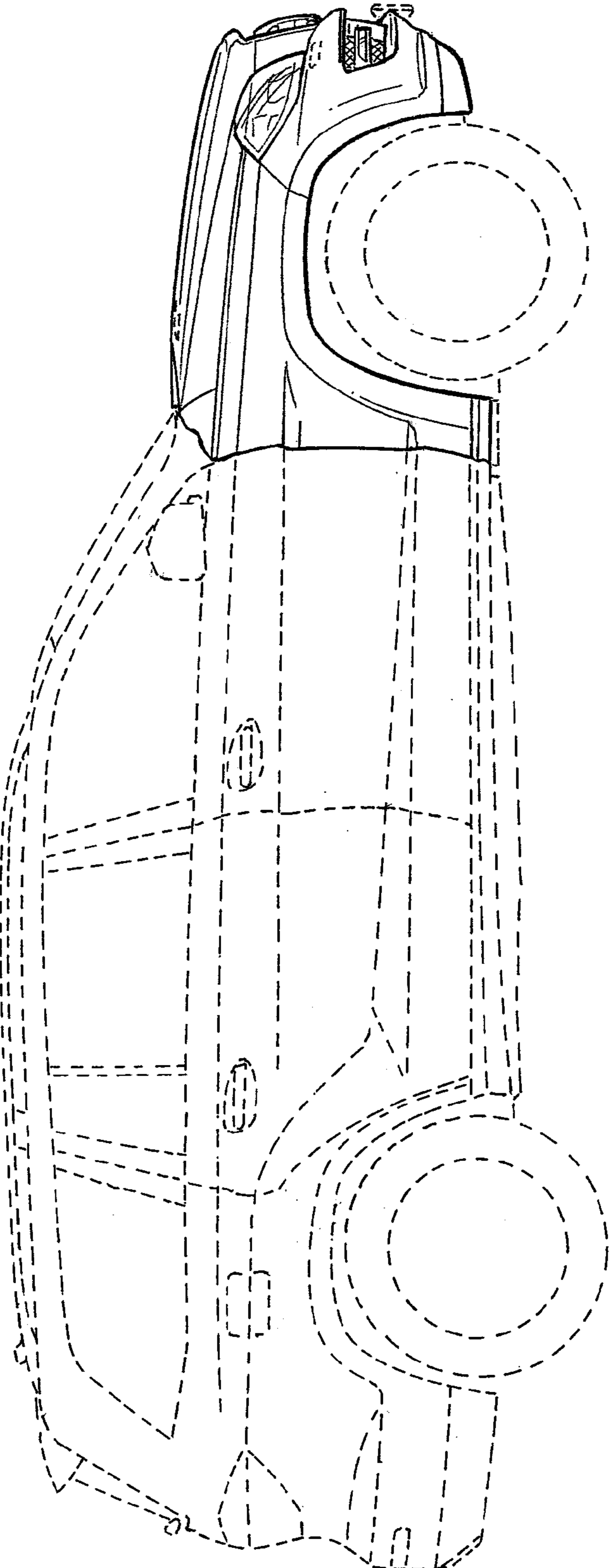


FIG. 3