



US00D704592S

(12) **United States Design Patent**
Hung et al.

(10) **Patent No.:** **US D704,592 S**

(45) **Date of Patent:** **** May 13, 2014**

- (54) **SELF-WATERING PLANTER**
- (75) Inventors: **Chun Wai Hung**, Dillsburg, PA (US);
Hamilton Scott Team, Loganville, GA (US); **Karen Stults Richwine**, Mechanicsburg, PA (US)
- (73) Assignee: **Ames True Temper, Inc.**, Camp Hill, PA (US)

D360,850 S *	8/1995	Grosfillex	D11/152
D369,760 S *	5/1996	Sanderson	D11/152
D384,907 S	10/1997	Moskowitz		
D436,887 S *	1/2001	Fan	D11/152
6,170,144 B1 *	1/2001	Phillipson	47/66.1
D456,307 S *	4/2002	Fan	D11/152
D460,021 S *	7/2002	Fan	D11/152
D460,717 S *	7/2002	Fan	D11/152
D564,394 S *	3/2008	Schmidt	D11/152
D569,764 S *	5/2008	Schmidt	D11/152
D635,486 S *	4/2011	Bodum	D11/152

(**) Term: **14 Years**

* cited by examiner

(21) Appl. No.: **29/418,200**

Primary Examiner — Elizabeth Albert

(22) Filed: **Apr. 13, 2012**

(74) *Attorney, Agent, or Firm* — Eckert Seamans Cherin; David C. Jenkins

(51) **LOC (10) Cl.** **11-02**

(52) **U.S. Cl.**
USPC **D11/152**

(57) **CLAIM**

The ornamental design for a self-watering planter, as shown and described.

(58) **Field of Classification Search**
USPC D6/403–405, 556–558; D8/1; D11/143–156, 164; D19/77, 80, 81, D19/84; D25/100; D26/9–11, 16, 19; D34/1, 2, 4–6; D99/5, 19; 47/17, 32.4, 47/32.5, 33, 39, 41.01, 41.1, 41.11–41.15, 47/44–47, 65, 65.5, 65.9, 66.1, 66.6, 66.7, 47/67–71
See application file for complete search history.

DESCRIPTION

FIG. 1 is an isometric view of a self-watering planter; FIG. 2 is a front side view of the self-watering planter; FIG. 3 is a back side view of the self-watering planter; FIG. 4 is a left side view of the self-watering planter; FIG. 5 is a right side view of the self-watering planter; FIG. 6 is a top view of the self-watering planter; FIG. 7 is a bottom view of the self-watering planter; and, FIG. 8 is a bottom view of the self-watering planter, showing only the flower pot portion, the tray portion being removed for ease of disclosure.

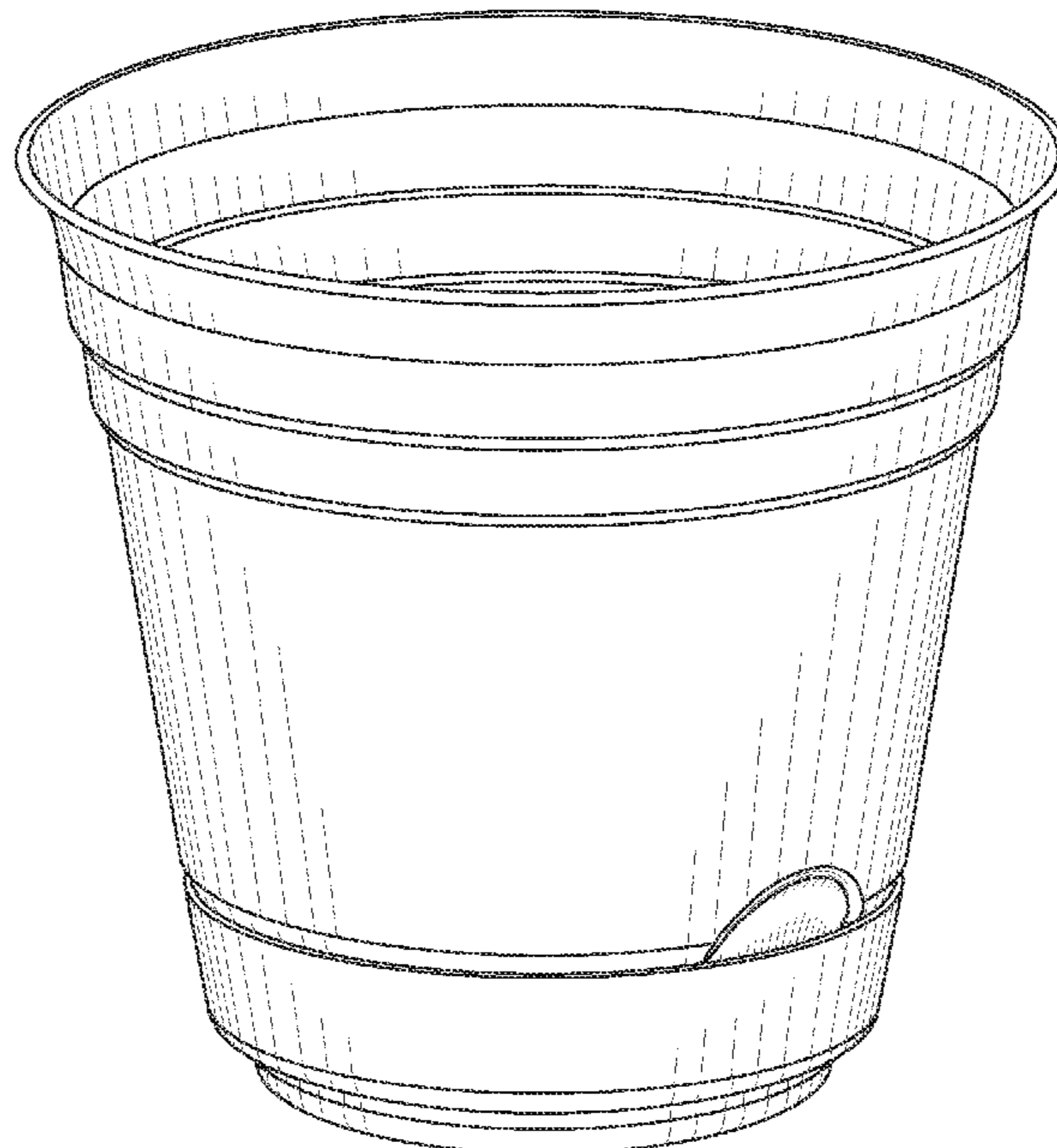
The broken lines showing the inside and bottom of the self-watering planter in FIGS. 6 and 8 are included for the purpose of showing portions that form no part of the claimed design.

(56) **References Cited**

U.S. PATENT DOCUMENTS

129,451 A *	7/1872	Baldwin	D11/144
4,092,804 A	6/1978	Morris et al.		
4,299,055 A	11/1981	Dziewulski et al.		
4,442,629 A	4/1984	Anderson		
D340,674 S *	10/1993	Carlson	D11/152

1 Claim, 5 Drawing Sheets



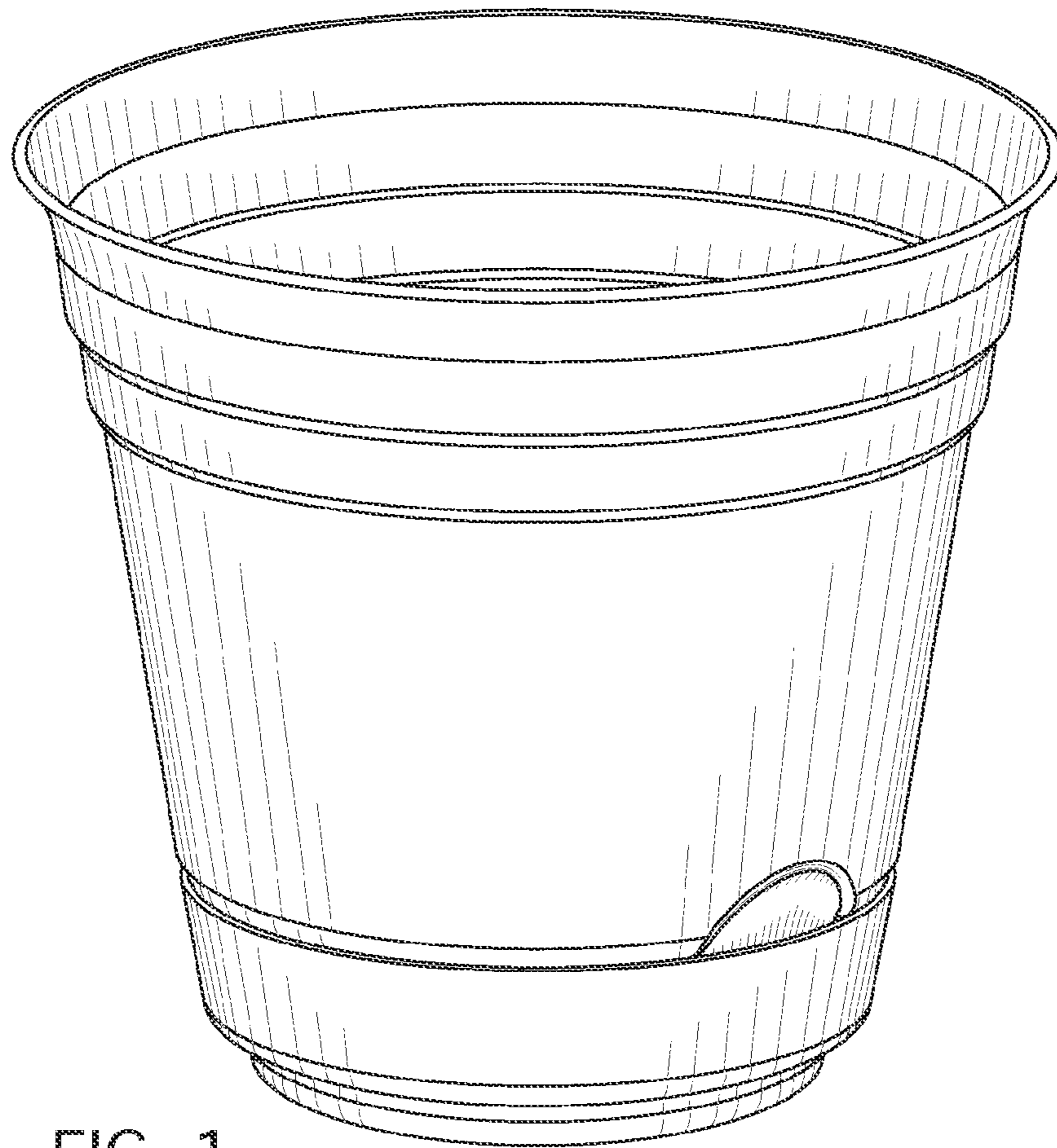


FIG. 1

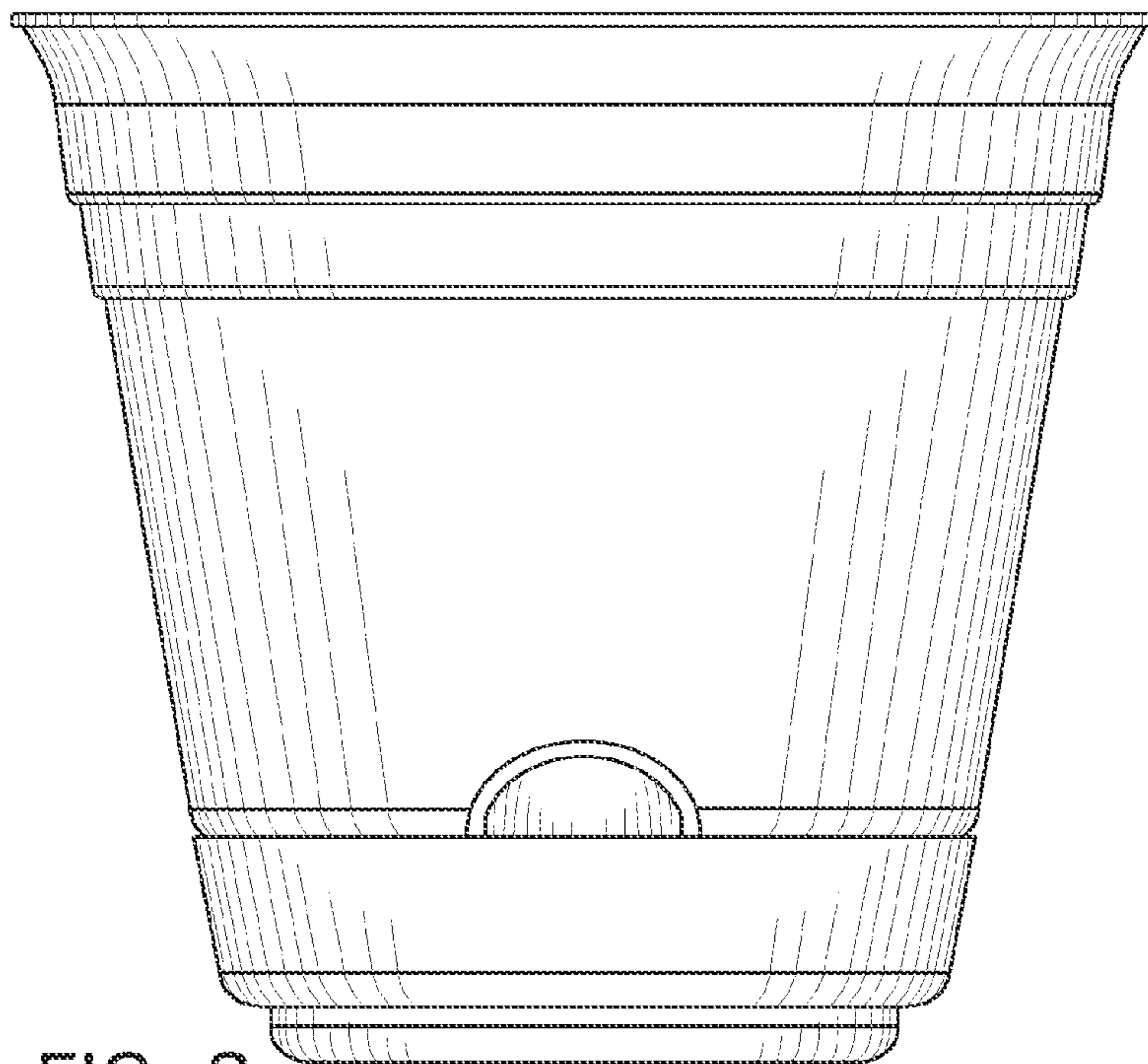


FIG. 2

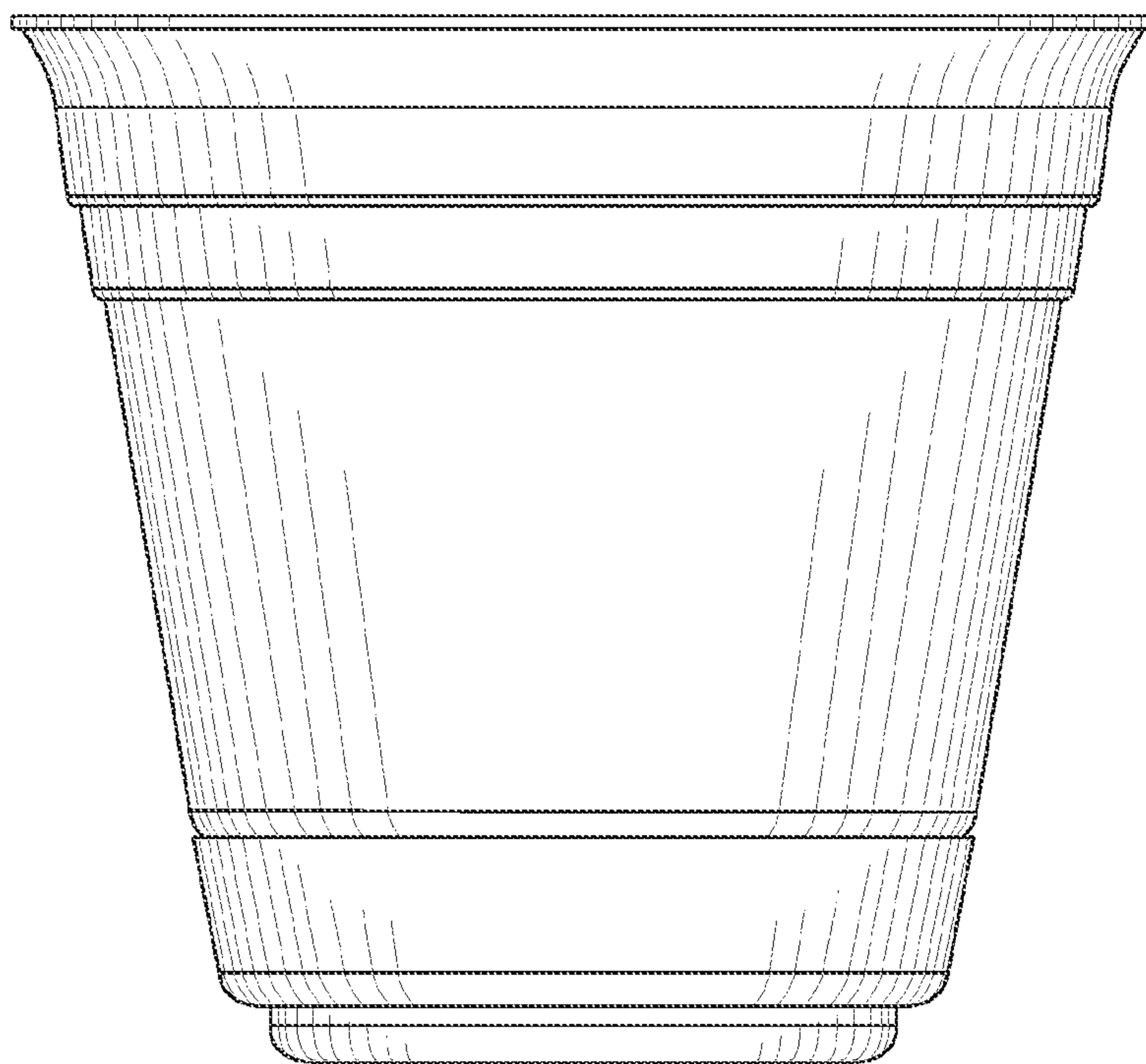


FIG. 3

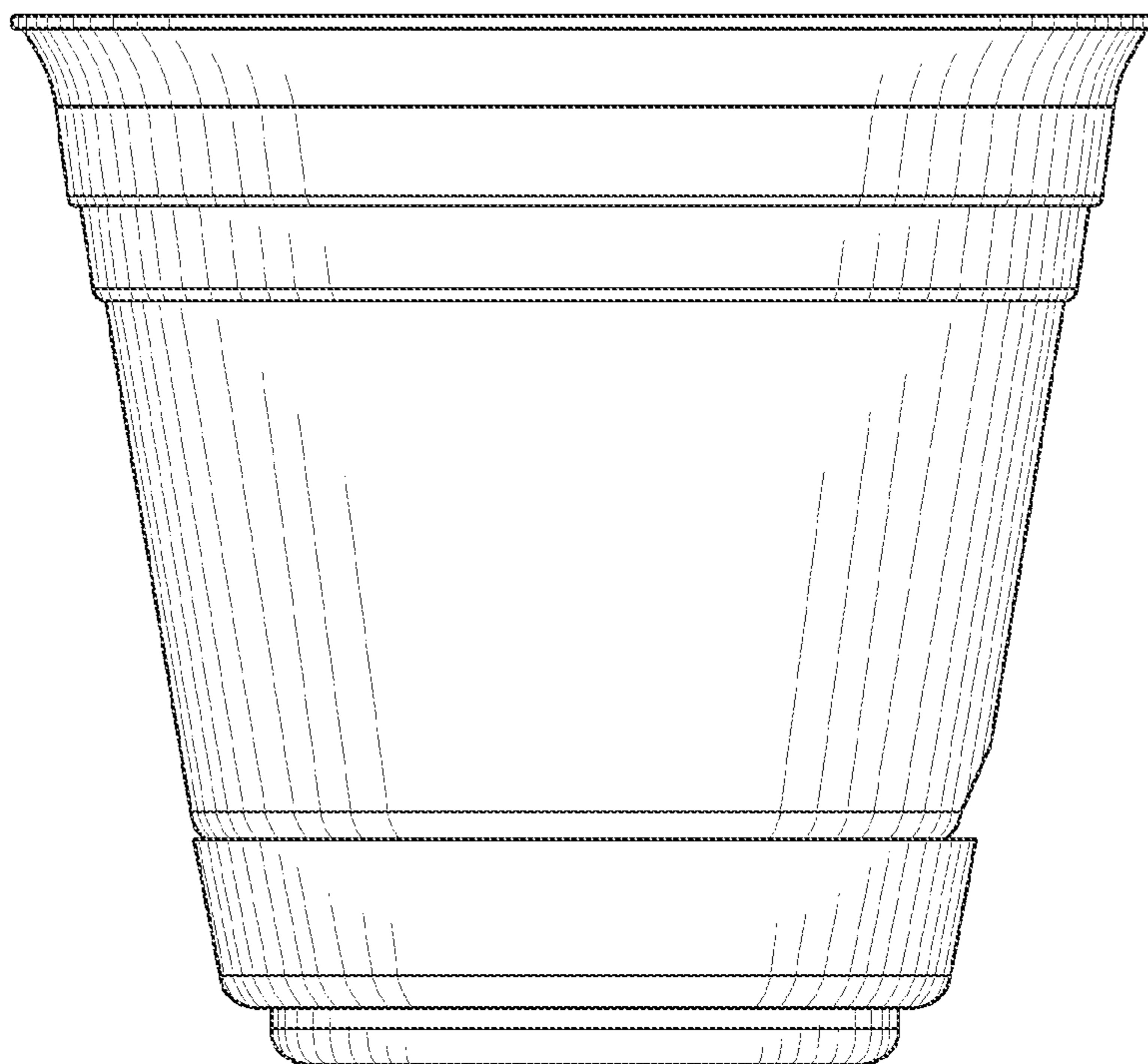


FIG. 4

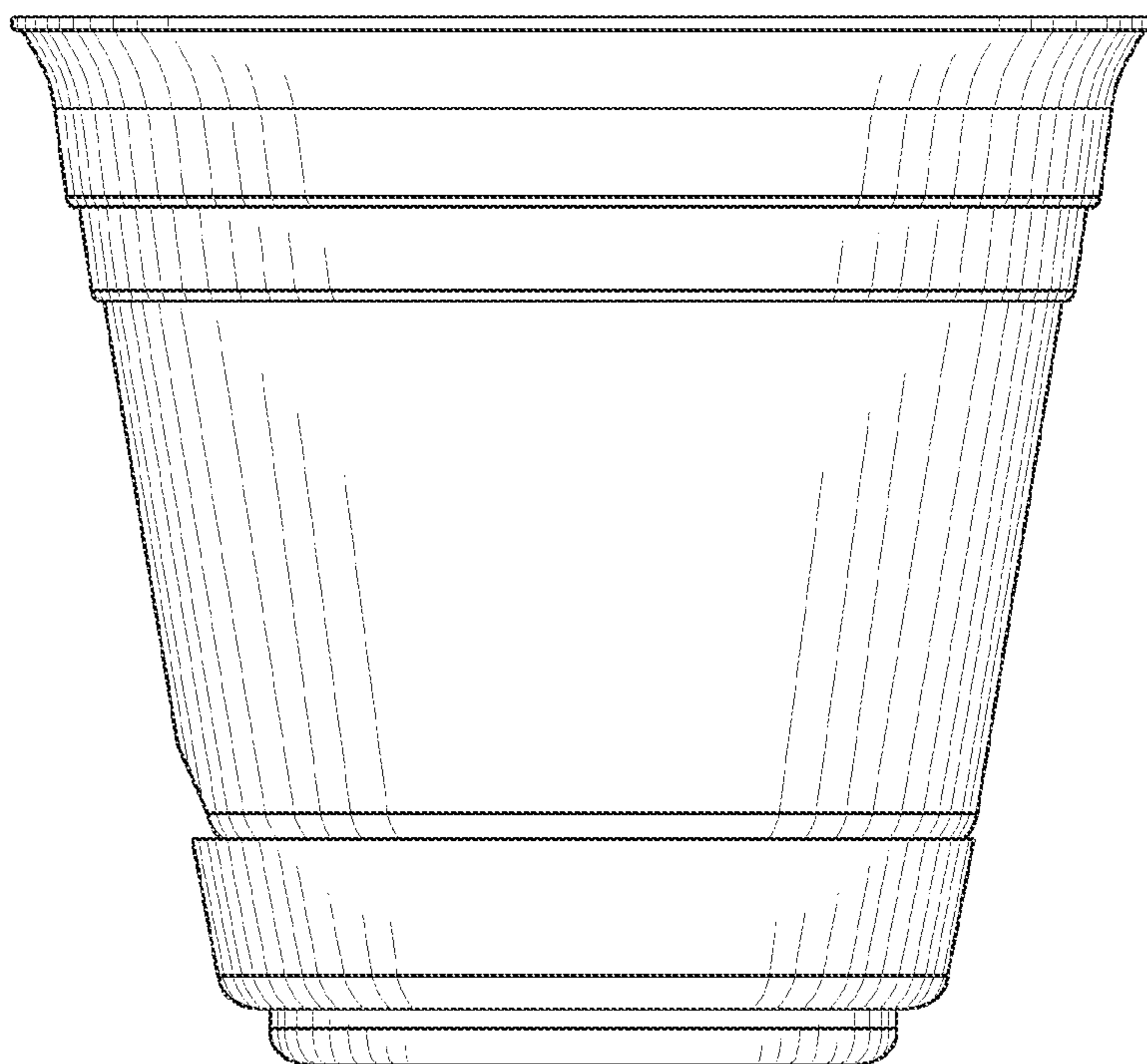


FIG. 5

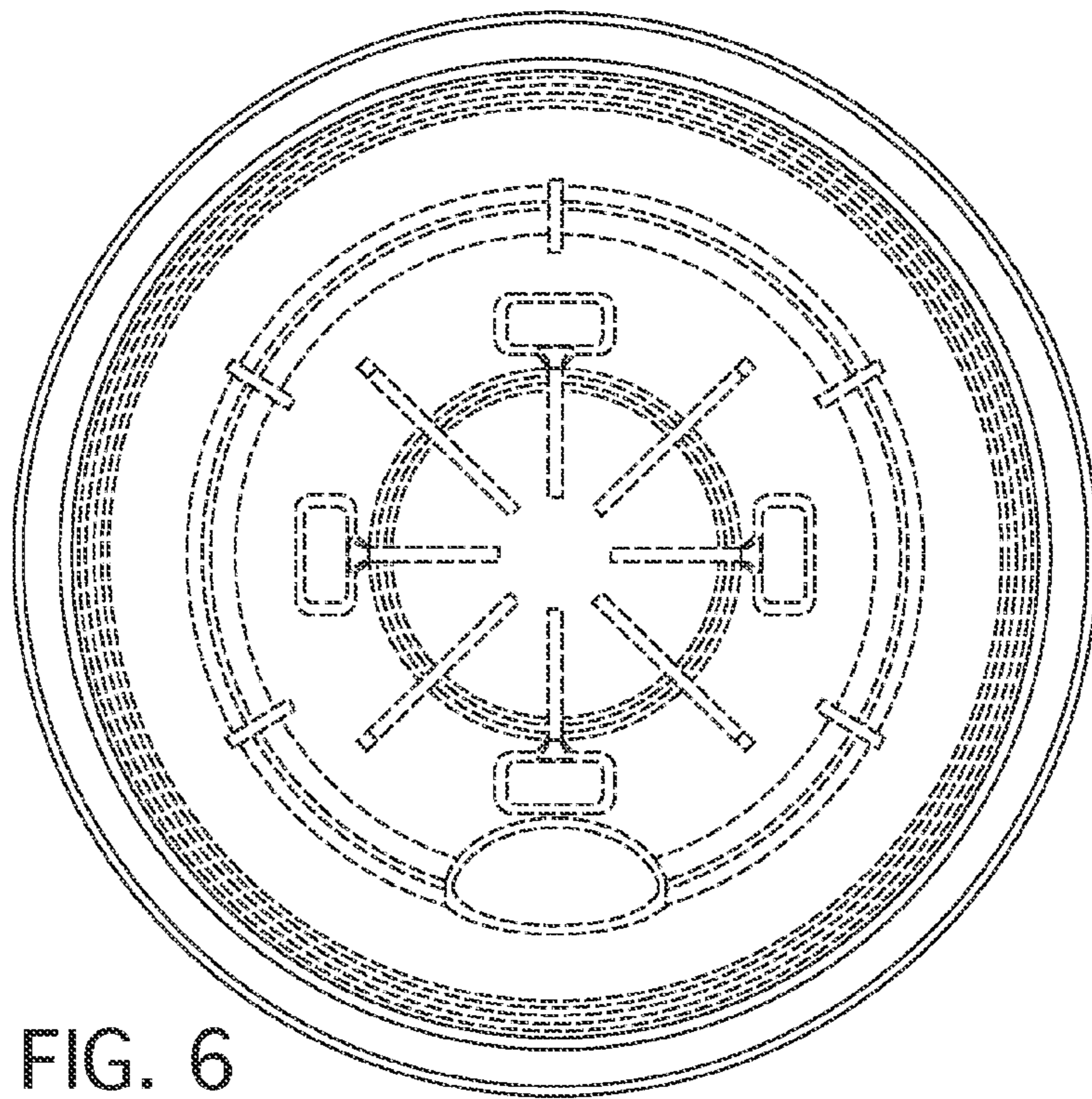


FIG. 6

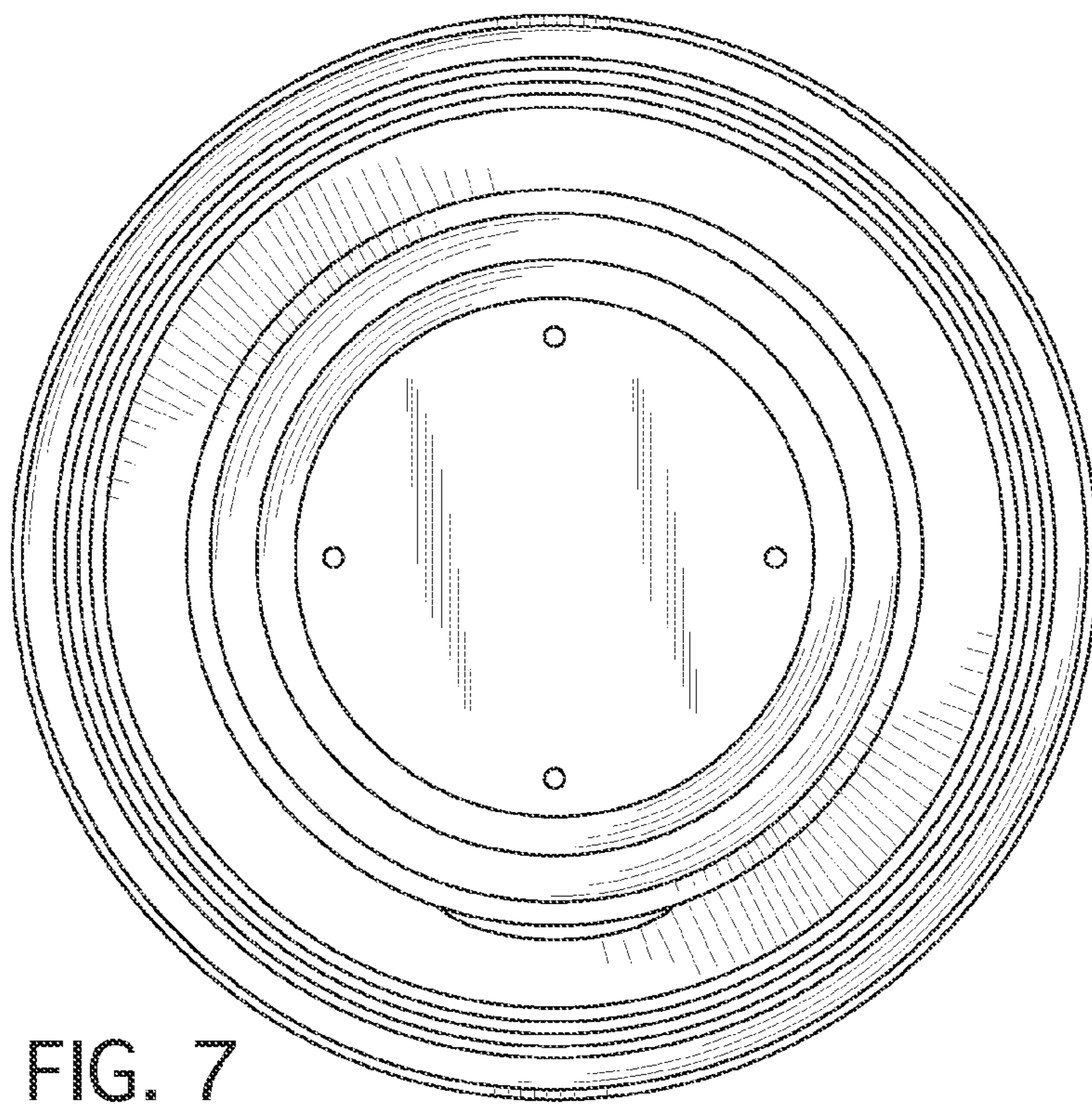


FIG. 7

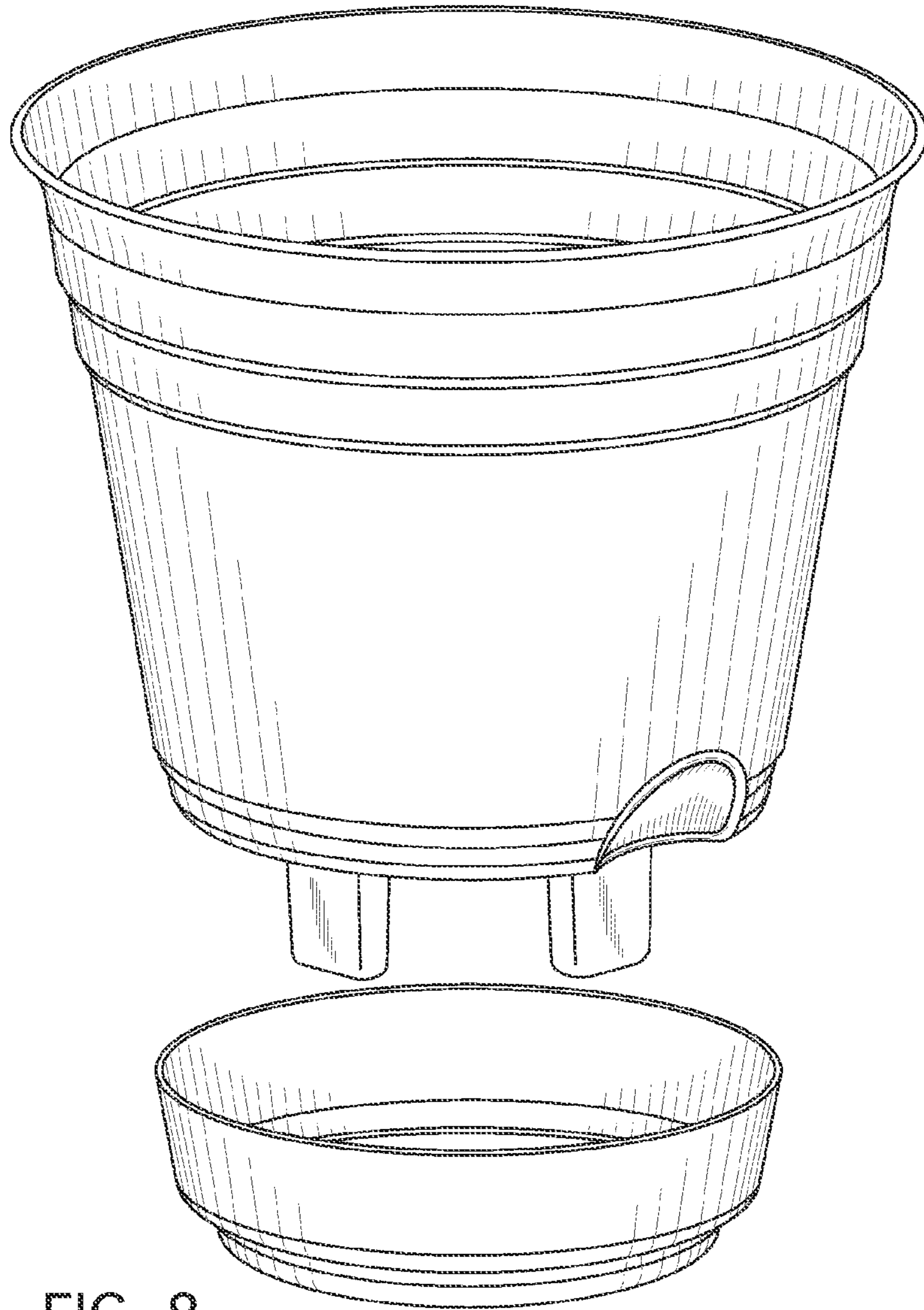


FIG. 8