



US00D704590S

(12) **United States Design Patent**
Liao

(10) **Patent No.:** **US D704,590 S**

(45) **Date of Patent:** **** May 13, 2014**

(54) **CONNECTION BLOCK FOR GEMSTONE SEATS**

(71) Applicant: **Chen-Chieh Liao**, Kaohsiung (TW)

(72) Inventor: **Chen-Chieh Liao**, Kaohsiung (TW)

(**) Term: **14 Years**

(21) Appl. No.: **29/455,035**

(22) Filed: **May 16, 2013**

(51) **LOC (10) Cl.** **11-01**

(52) **U.S. Cl.**
USPC **D11/86**

(58) **Field of Classification Search**

USPC D11/1-2, 7, 40-44, 46-49, 53, 56, 57,
D11/59-61, 63, 65, 79-83, 86-87, 89-90,
D11/91-92, 99, 101, 106, 114-116,
D11/200-201; 63/3, 3.1, 12-14.9

See application file for complete search history.

(56) **References Cited**

U.S. PATENT DOCUMENTS

D153,610	S	*	5/1949	Kline	D11/42
2,653,402	A	*	9/1953	Bonagura	40/662
D264,568	S	*	5/1982	Vandoni	D11/61
5,419,159	A	*	5/1995	Muller	63/28
D513,394	S	*	1/2006	Lecut	D11/116
D516,952	S	*	3/2006	Kingsford et al.	D11/200
7,269,973	B2	*	9/2007	Koren	63/15
D556,080	S	*	11/2007	Day	D11/86
D556,081	S	*	11/2007	Mouquet	D11/87
D593,901	S	*	6/2009	Gurule	D11/200
D691,913	S	*	10/2013	Outland	D11/79

* cited by examiner

Primary Examiner — Zenia Bennett

(74) *Attorney, Agent, or Firm* — patentm.us

(57) **CLAIM**

The ornamental design for a connection block for gemstone seats, as shown and described.

DESCRIPTION

FIG. 1 is a perspective view of a connection block for gemstone seats showing my new design;

FIG. 2 is a front view of the a connection block for gemstone seats;

FIG. 3 is a rear view of the a connection block for gemstone seats;

FIG. 4 is a left view of the a connection block for gemstone seats;

FIG. 5 is a right view of the a connection block for gemstone seats;

FIG. 6 is a top view of the a connection block for gemstone seats;

FIG. 7 is a bottom view of the a connection block for gemstone seats;

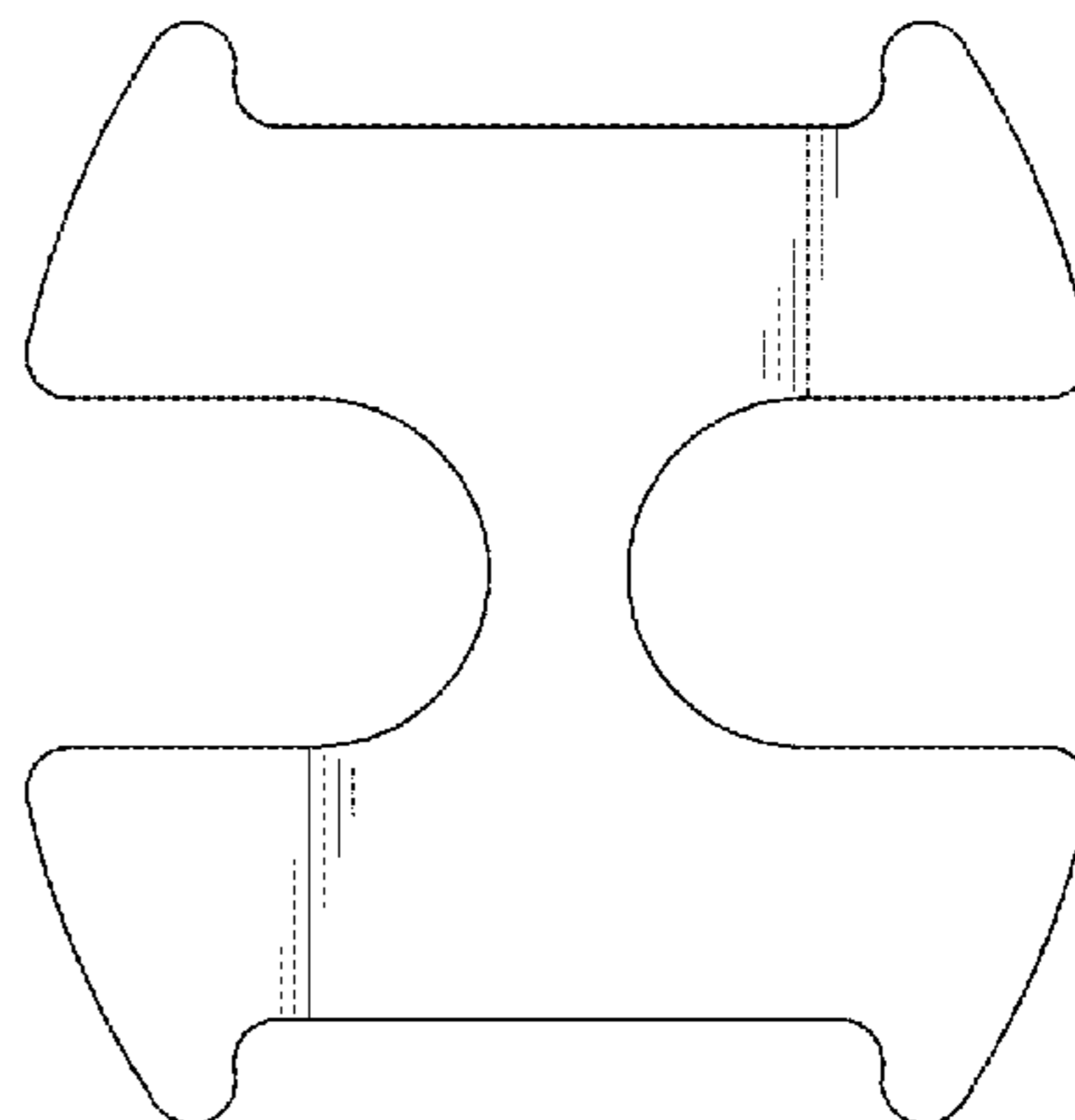
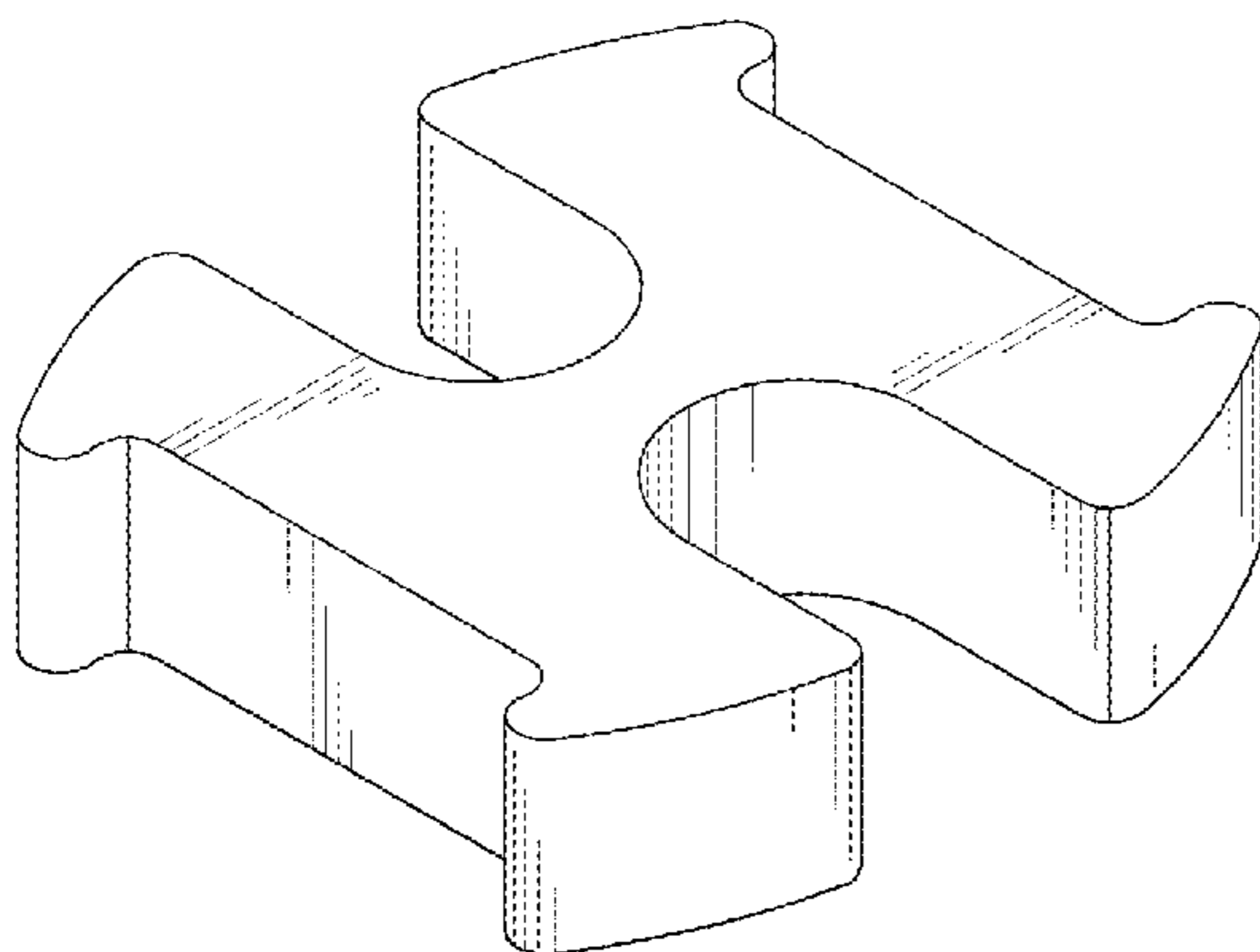
FIG. 8 is a perspective view showing the use of the connection block for gemstone seats;

FIG. 9 is a front view showing the use of the connection block for gemstone seats; and,

FIG. 10 is a cross-sectional view taken along line 10-10 of FIG. 9.

The broken lines are shown for illustrative purposes only and form no part of the claimed design.

1 Claim, 10 Drawing Sheets



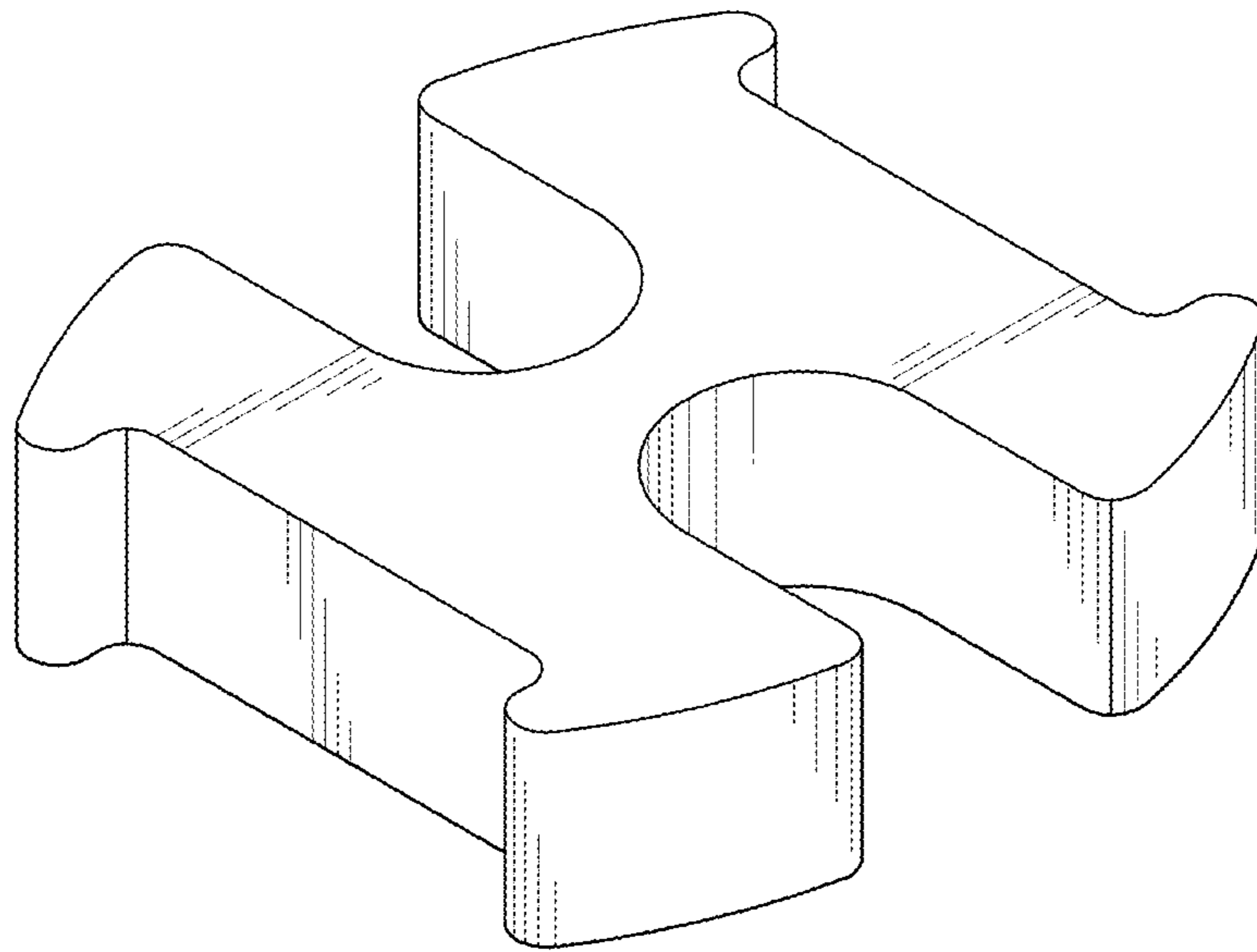


FIG. 1

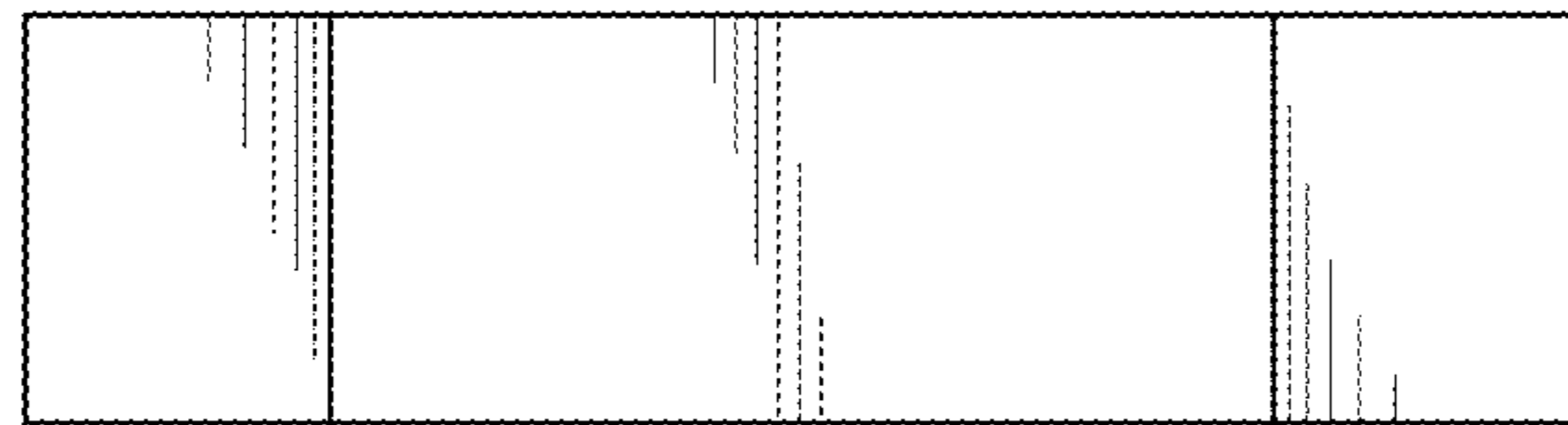


FIG. 2

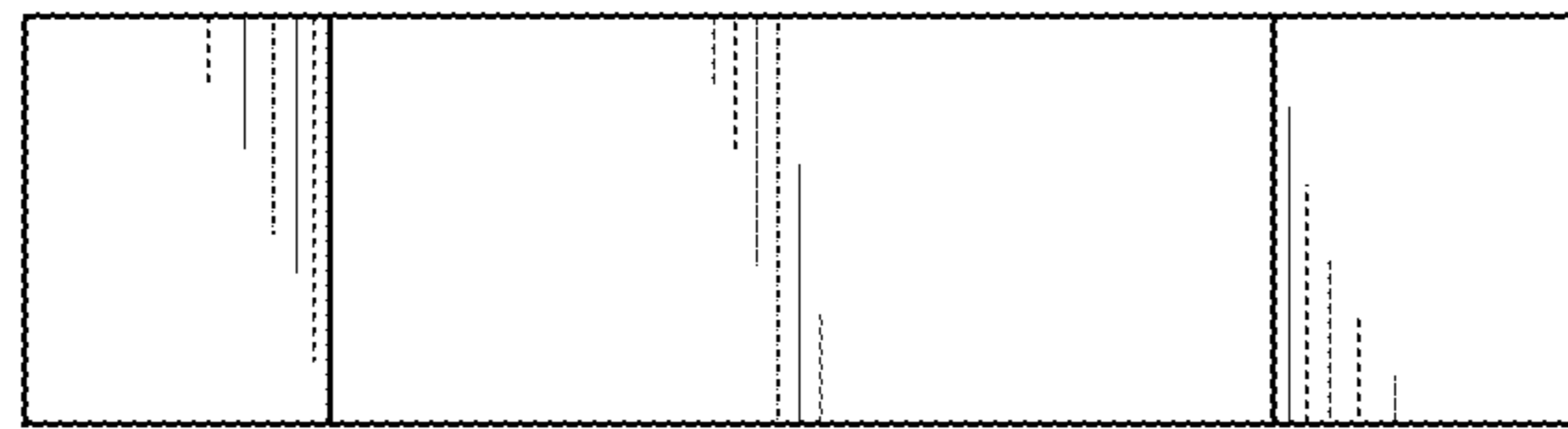


FIG. 3

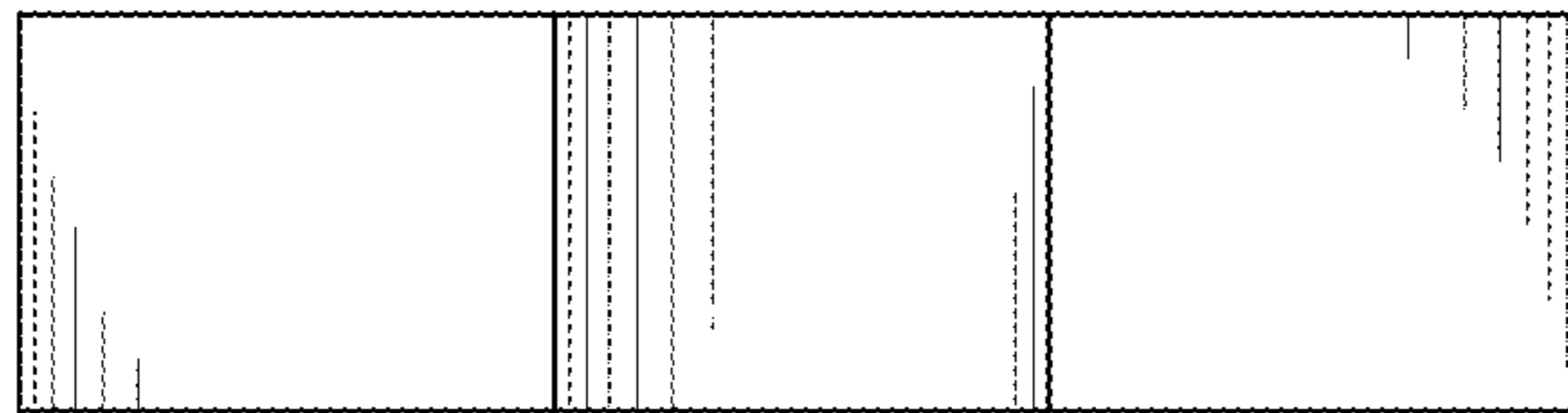


FIG. 4

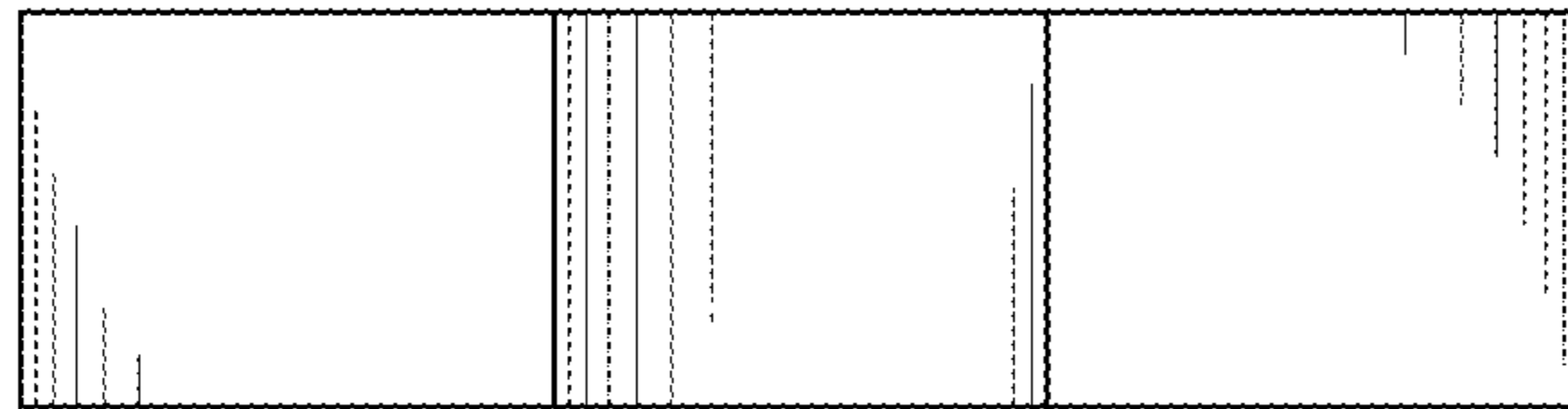


FIG. 5

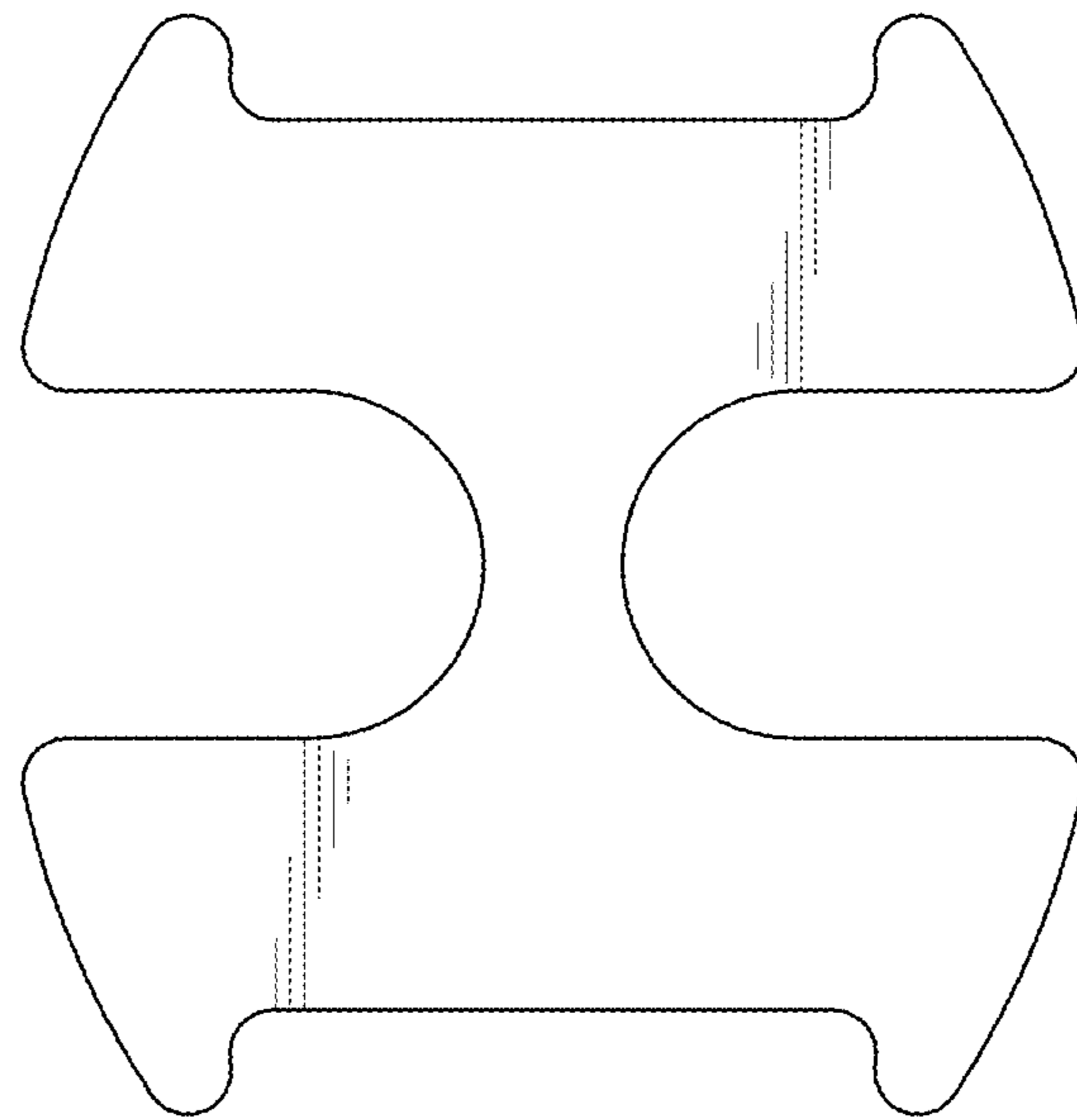


FIG. 6

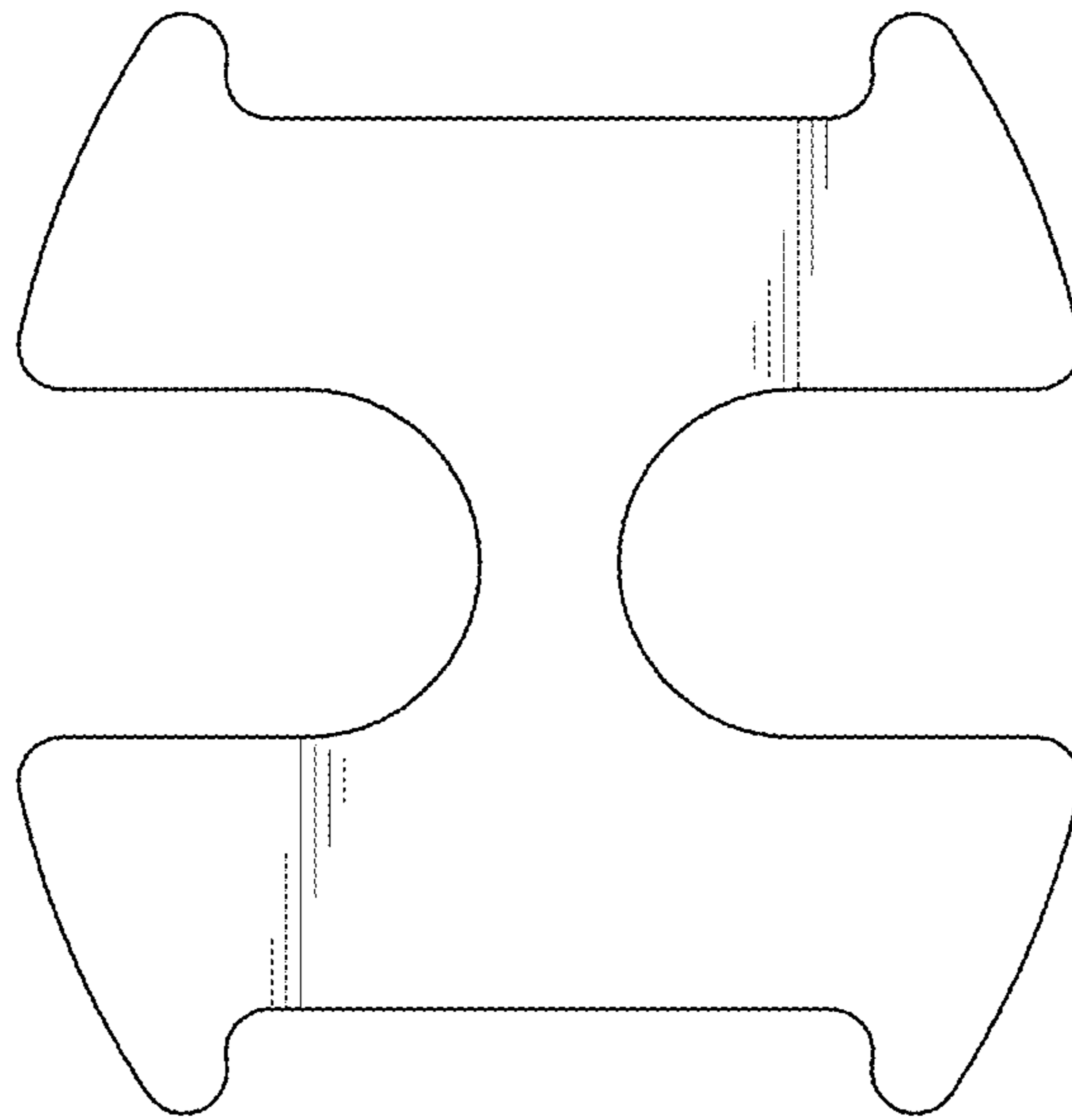


FIG. 7

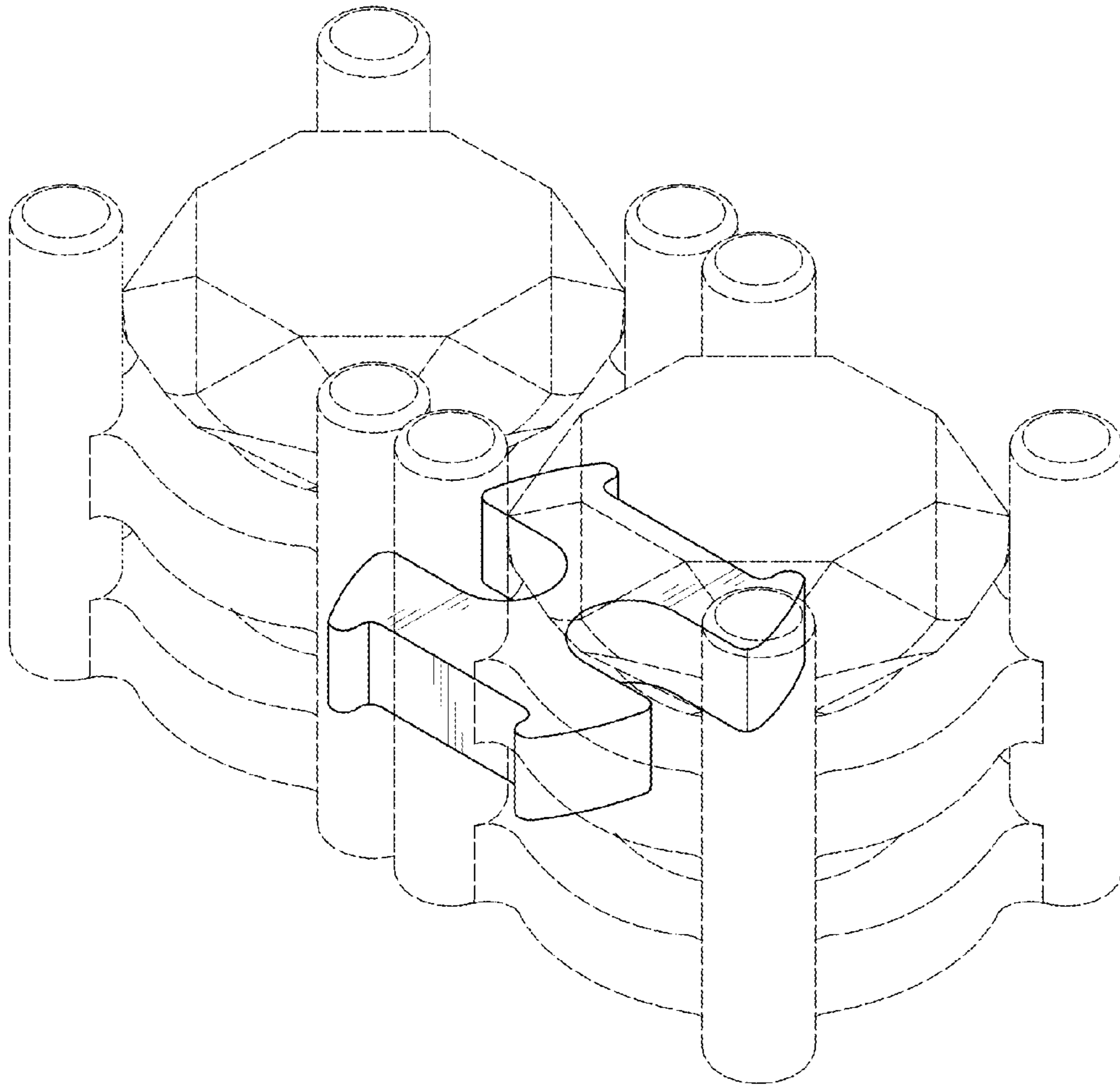


FIG. 8

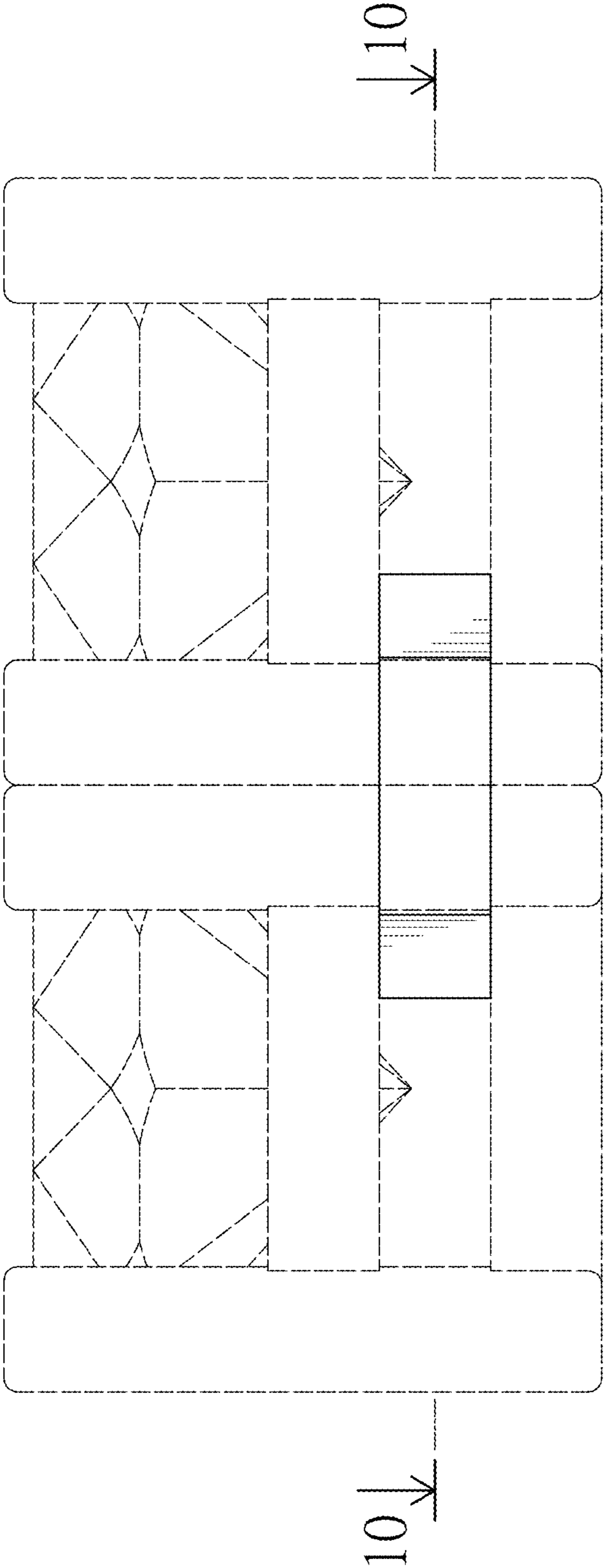


FIG. 9

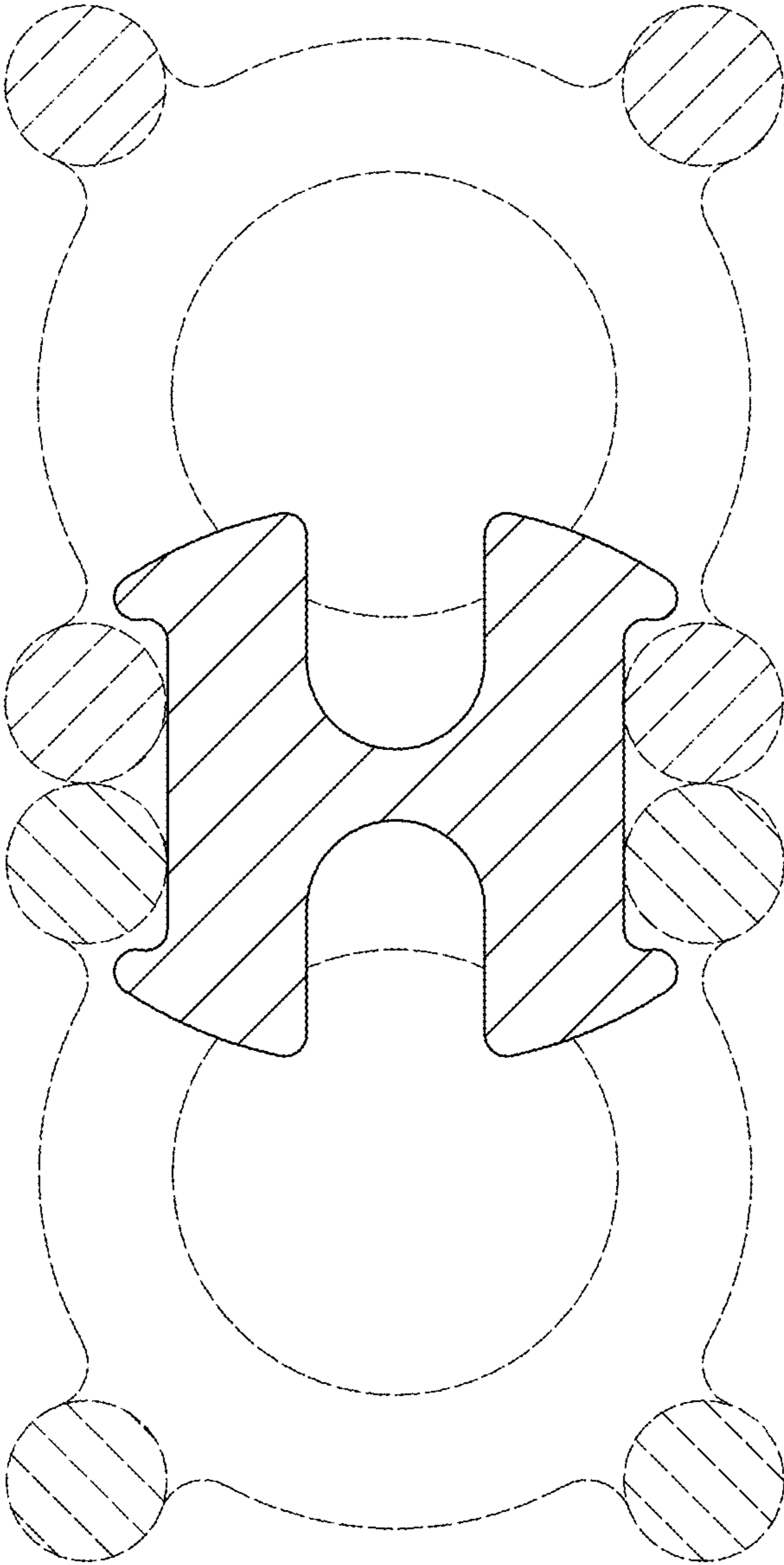


FIG. 10