



US00D704588S

(12) **United States Design Patent**  
**DiPietro**

(10) **Patent No.:** **US D704,588 S**

(45) **Date of Patent:** **\*\* May 13, 2014**

(54) **BRACELET**

(71) Applicant: **Jayson R. DiPietro**, East Providence, RI (US)

(72) Inventor: **Jayson R. DiPietro**, East Providence, RI (US)

(\*\*) Term: **14 Years**

(21) Appl. No.: **29/478,098**

(22) Filed: **Dec. 31, 2013**

(51) **LOC (10) Cl.** ..... **11-01**

(52) **U.S. Cl.**  
USPC ..... **D11/4; D11/27**

(58) **Field of Classification Search**  
CPC .. A44C 5/0007; A44C 5/0053; A44C 5/0084;  
A44C 5/02; A44C 5/12; A44C 5/14; A44C  
5/18; A44C 15/003  
USPC ..... D11/1-25, 26, 27, 28; 63/1.11, 3, 3.1,  
63/3.2, 15, 15.1-15.4, 15.45, 15.5, 15.6,  
63/15.65, 5.1; D28/41; 24/115 H, 116 A;  
70/456 R

See application file for complete search history.

(56) **References Cited**

**U.S. PATENT DOCUMENTS**

D152,491 S \* 1/1949 Ostier ..... D10/32  
5,074,127 A \* 12/1991 Yurman ..... 63/3  
D322,944 S \* 1/1992 Yurman ..... D11/4  
5,816,072 A \* 10/1998 Michaels ..... 63/3  
D477,788 S \* 7/2003 Ruff ..... D11/4  
D487,709 S 3/2004 Ferlise

D497,565 S \* 10/2004 Pink ..... D11/4  
D498,167 S 11/2004 Ferlise  
D567,110 S \* 4/2008 Pardoux ..... D10/31  
7,377,128 B1 \* 5/2008 Zucker-Pinchoff ..... 63/3.1  
D573,055 S \* 7/2008 Galloway ..... D11/5  
D575,658 S \* 8/2008 Lee ..... D11/4  
D602,799 S 10/2009 Colombani  
D615,444 S \* 5/2010 Jonemann ..... D11/3  
D619,026 S 7/2010 Papadimitriou  
7,905,111 B2 \* 3/2011 Saltz ..... 63/3  
D639,198 S 6/2011 Nigro  
D655,637 S \* 3/2012 Calderone ..... D11/3  
D658,085 S 4/2012 Rafaelian  
D691,506 S \* 10/2013 Hardy ..... D11/4

\* cited by examiner

*Primary Examiner* — Garth Rademaker

*Assistant Examiner* — Melanie Pellegrini

(74) *Attorney, Agent, or Firm* — Salter & Michaelson

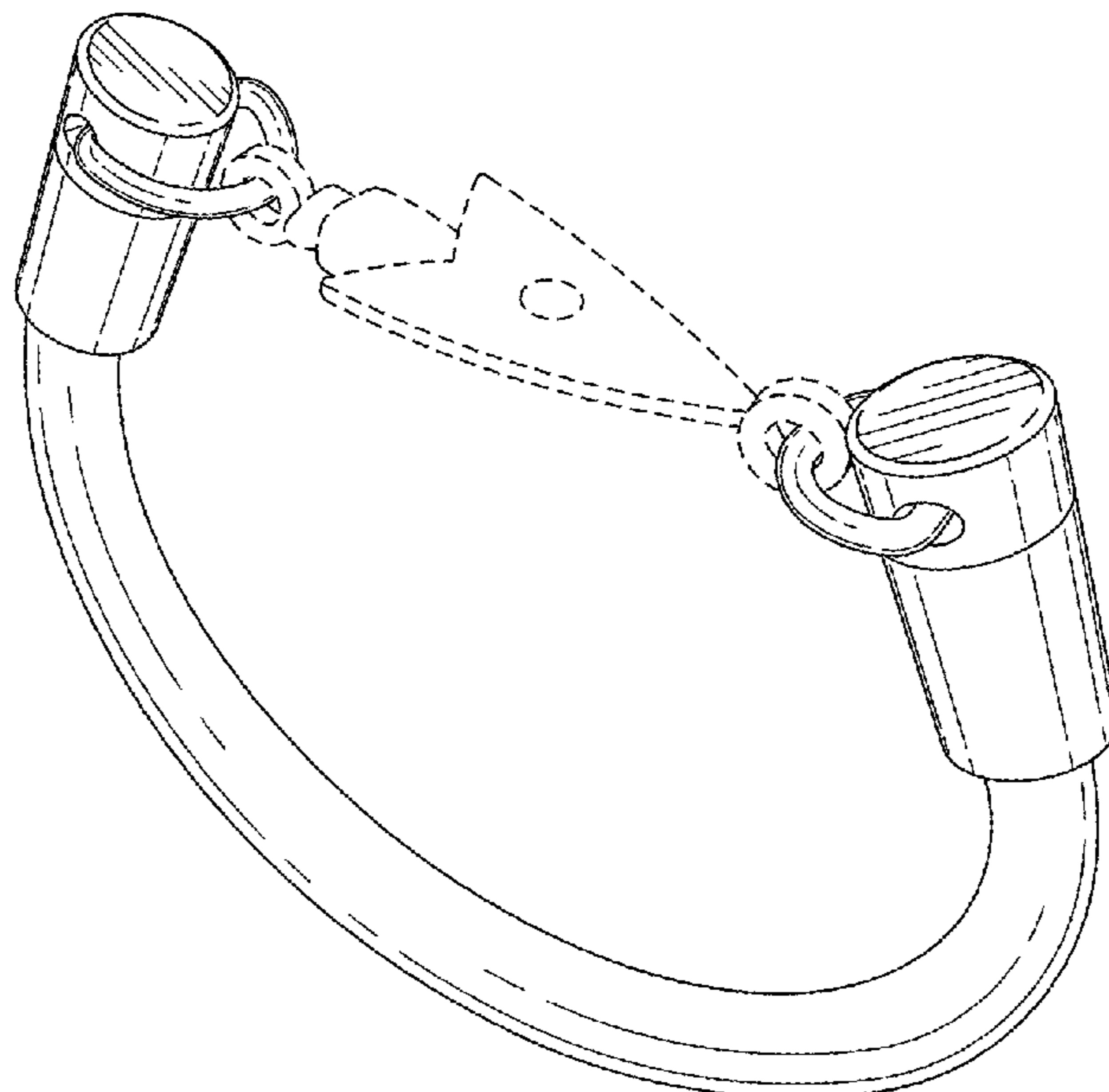
(57) **CLAIM**

The ornamental design for a bracelet, as shown and described.

**DESCRIPTION**

FIG. 1 is a perspective view of a bracelet;  
FIG. 2 is a front elevational view thereof;  
FIG. 3 is a rear elevational view thereof;  
FIG. 4 is a top plan view thereof;  
FIG. 5 is a bottom plan view thereof;  
FIG. 6 is a left side elevational view thereof;  
FIG. 7 is a right side elevational view thereof; and,  
FIG. 8 is a perspective view thereof in an unlocked position.  
The broken lines depict environmental subject matter only  
and form no part of the claimed design.

**1 Claim, 5 Drawing Sheets**



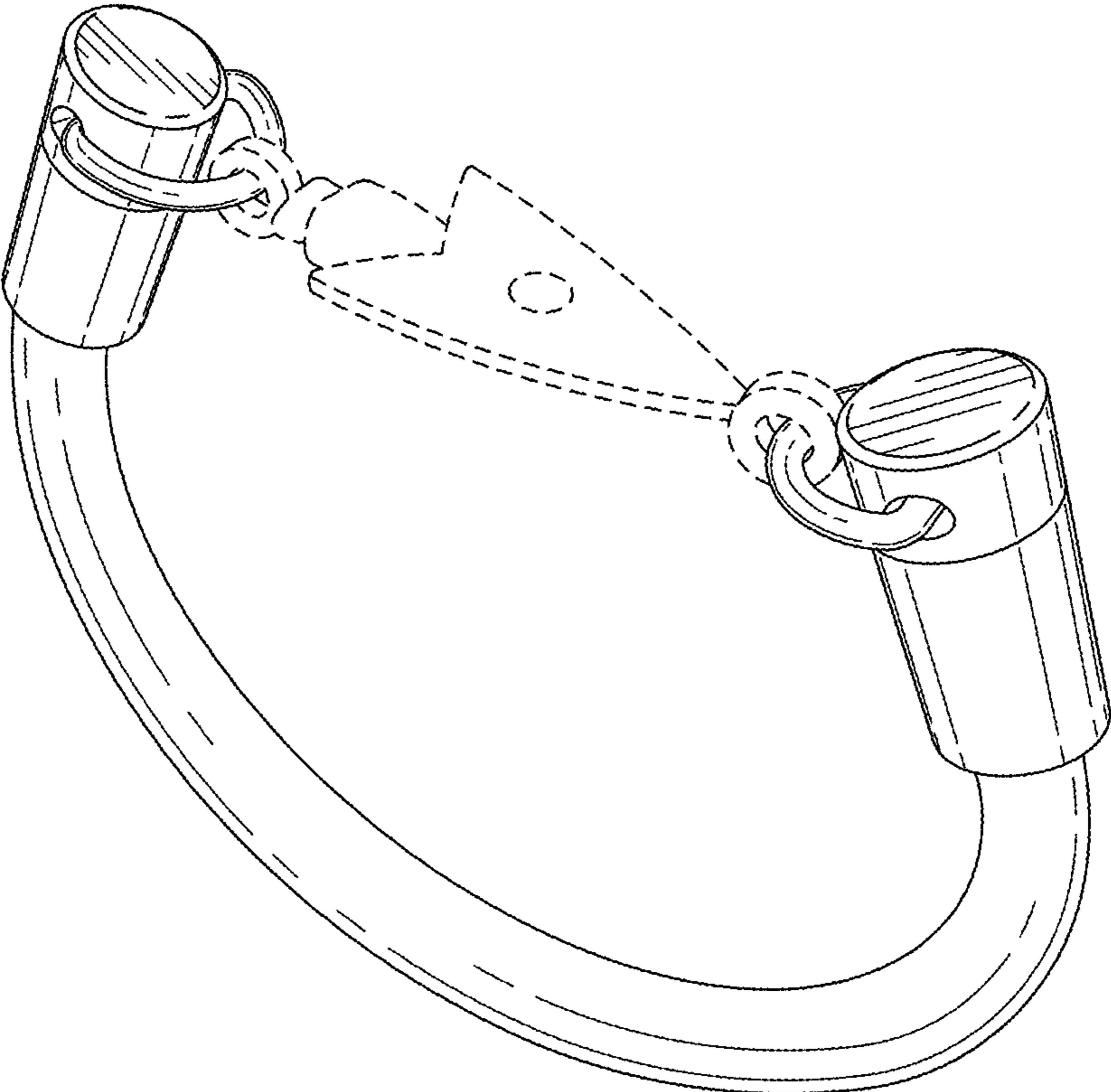


FIG. 1

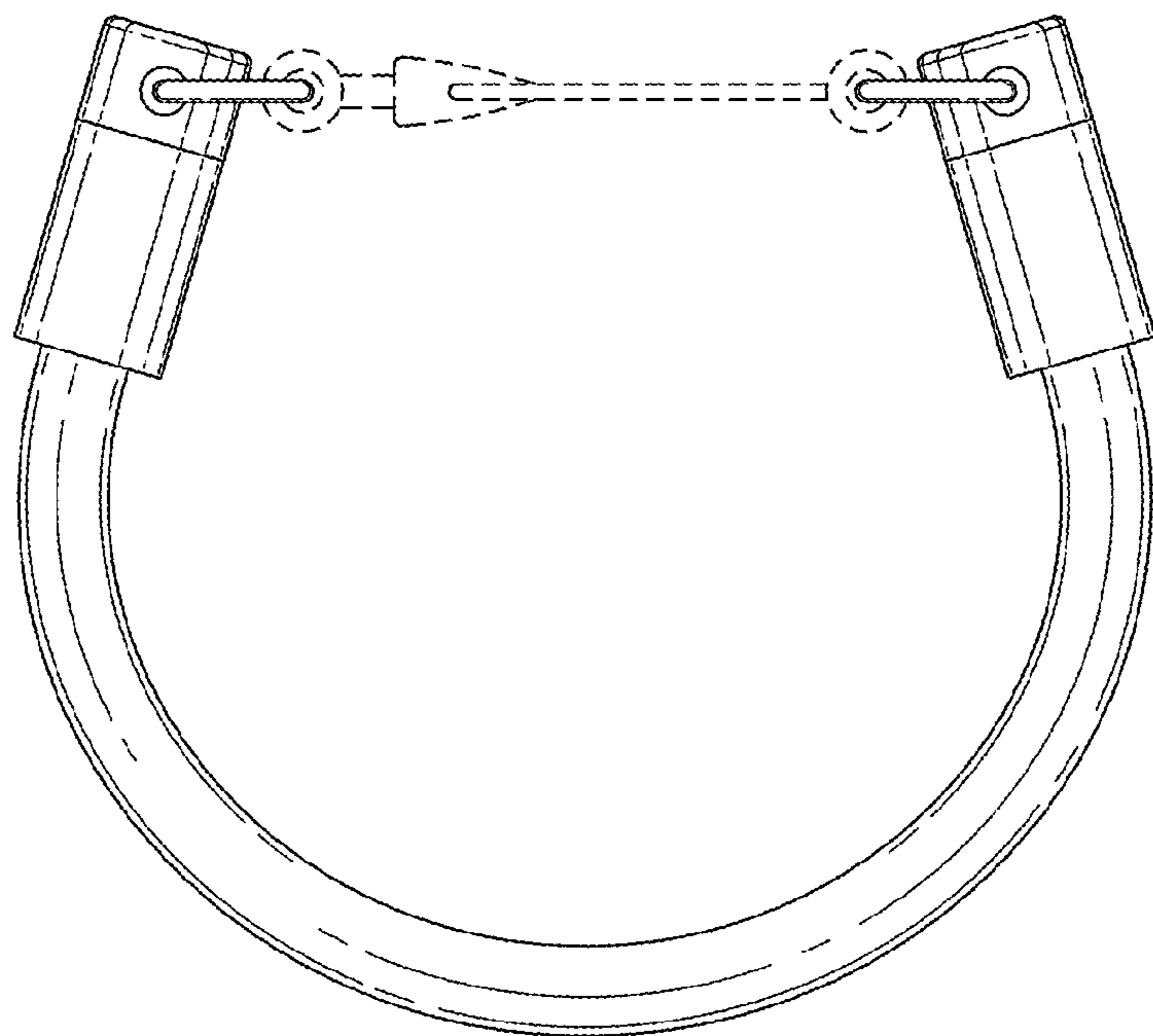


FIG. 2

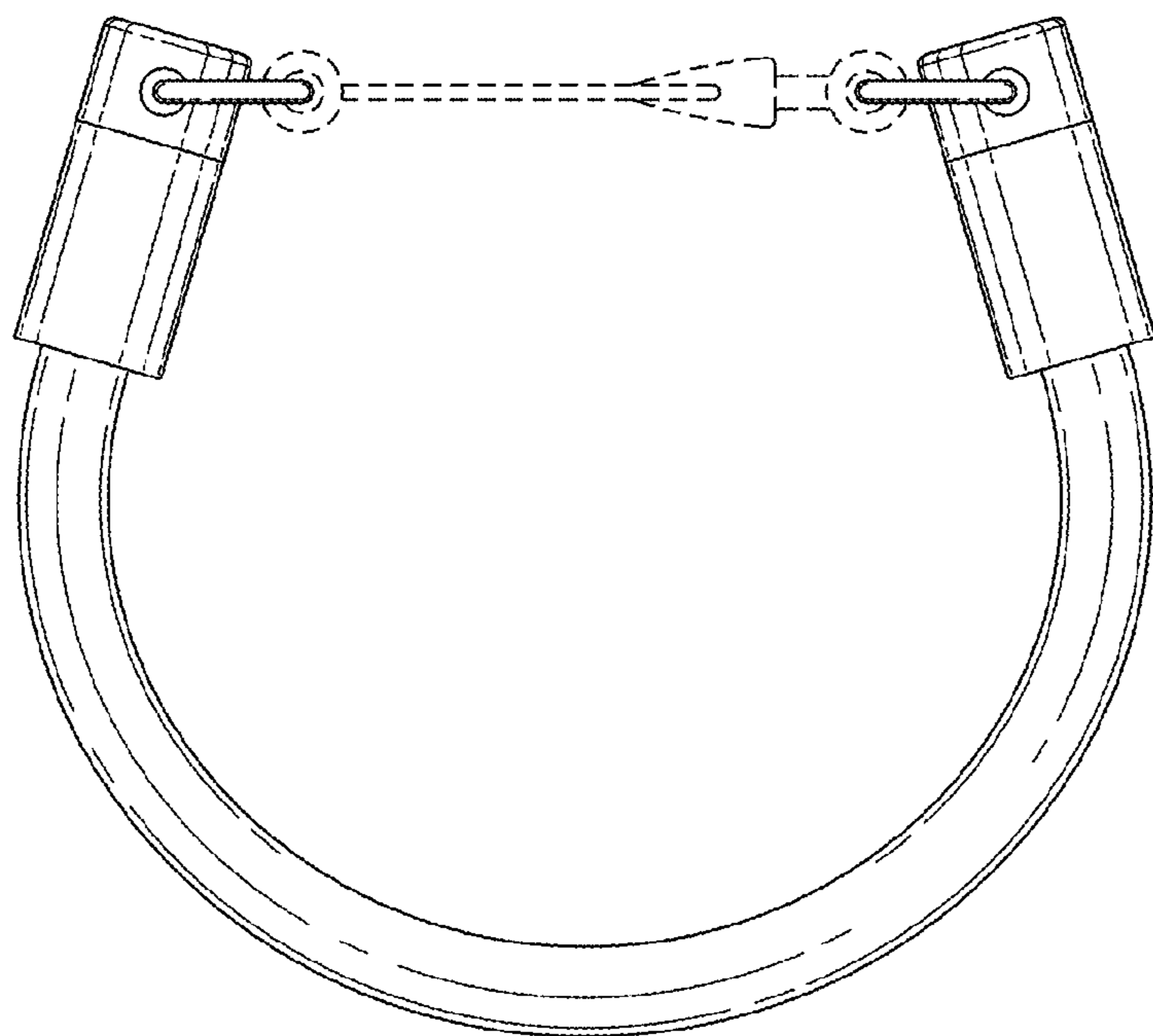


FIG. 3

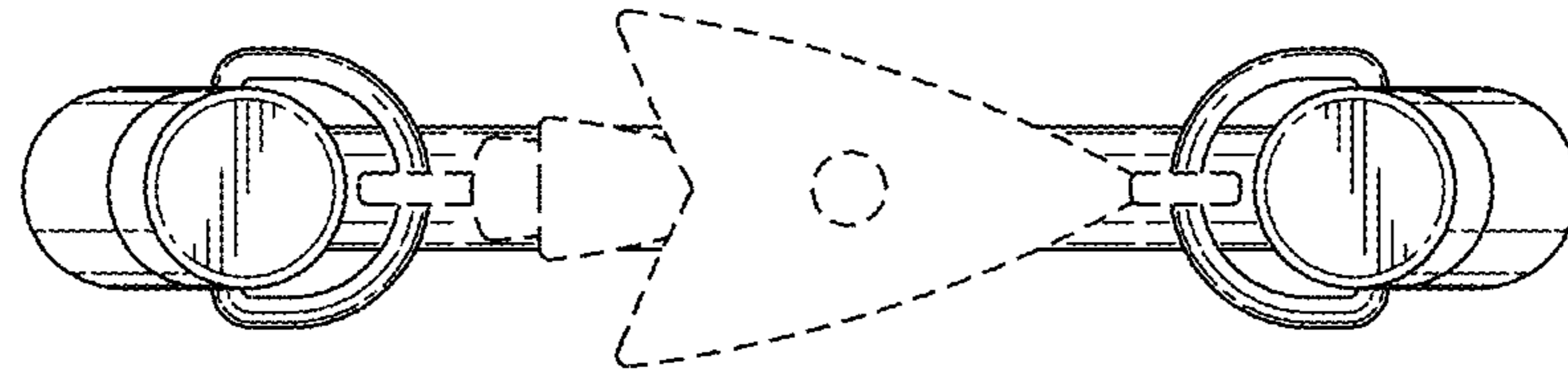


FIG. 4

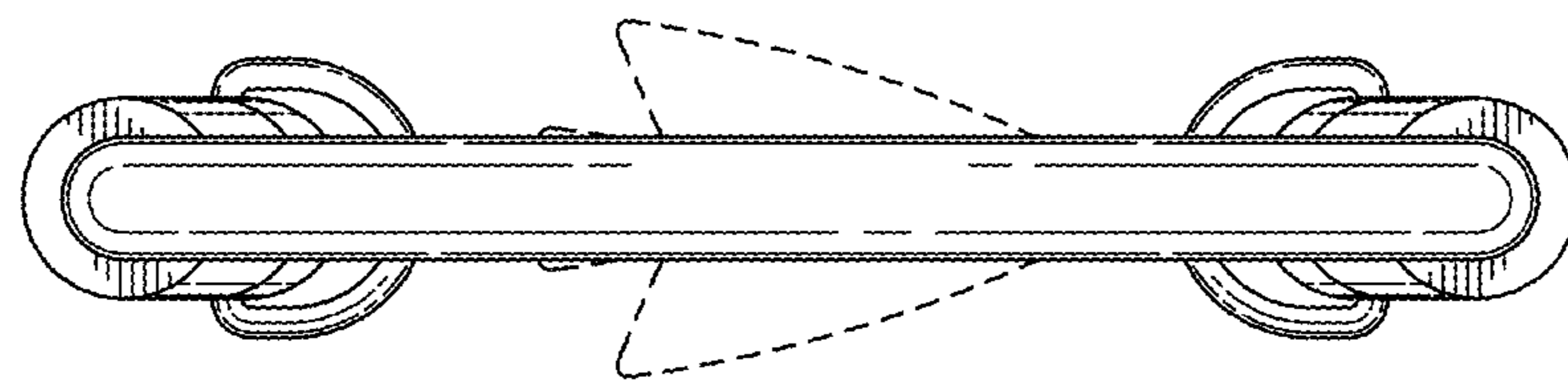


FIG. 5

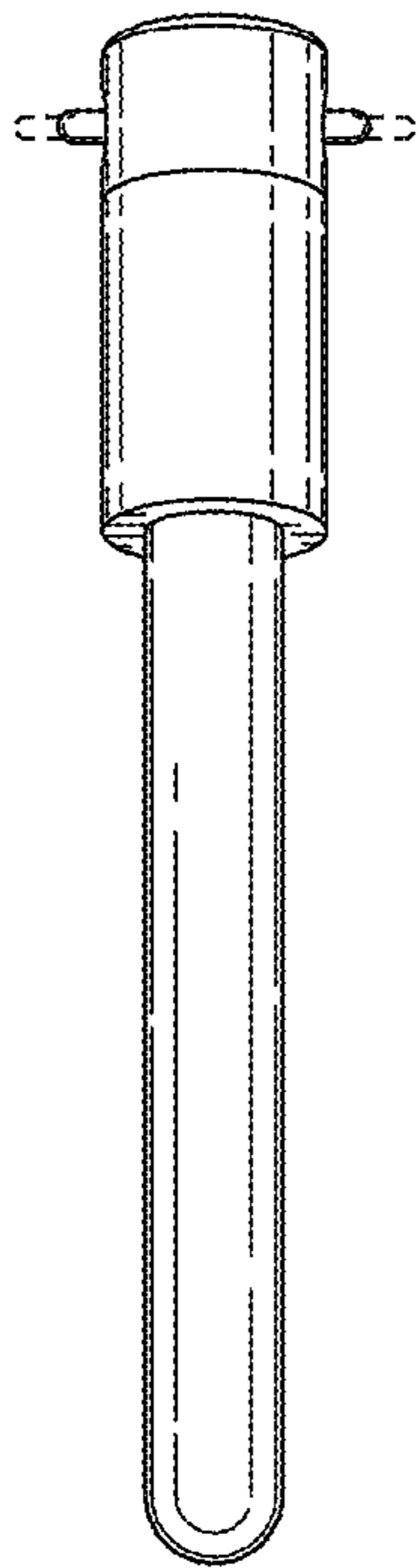


FIG. 6

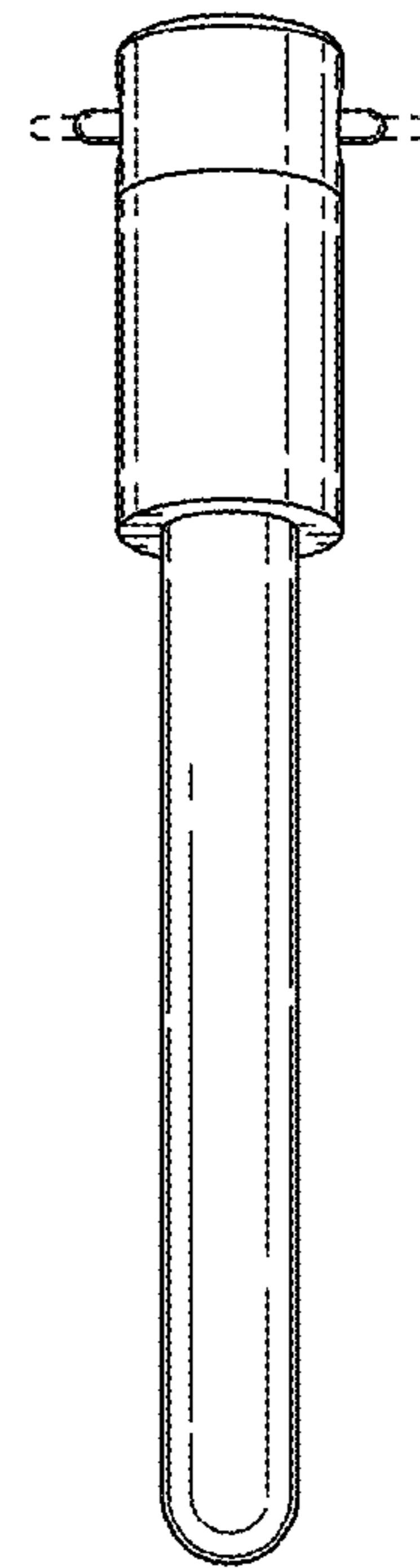


FIG. 7

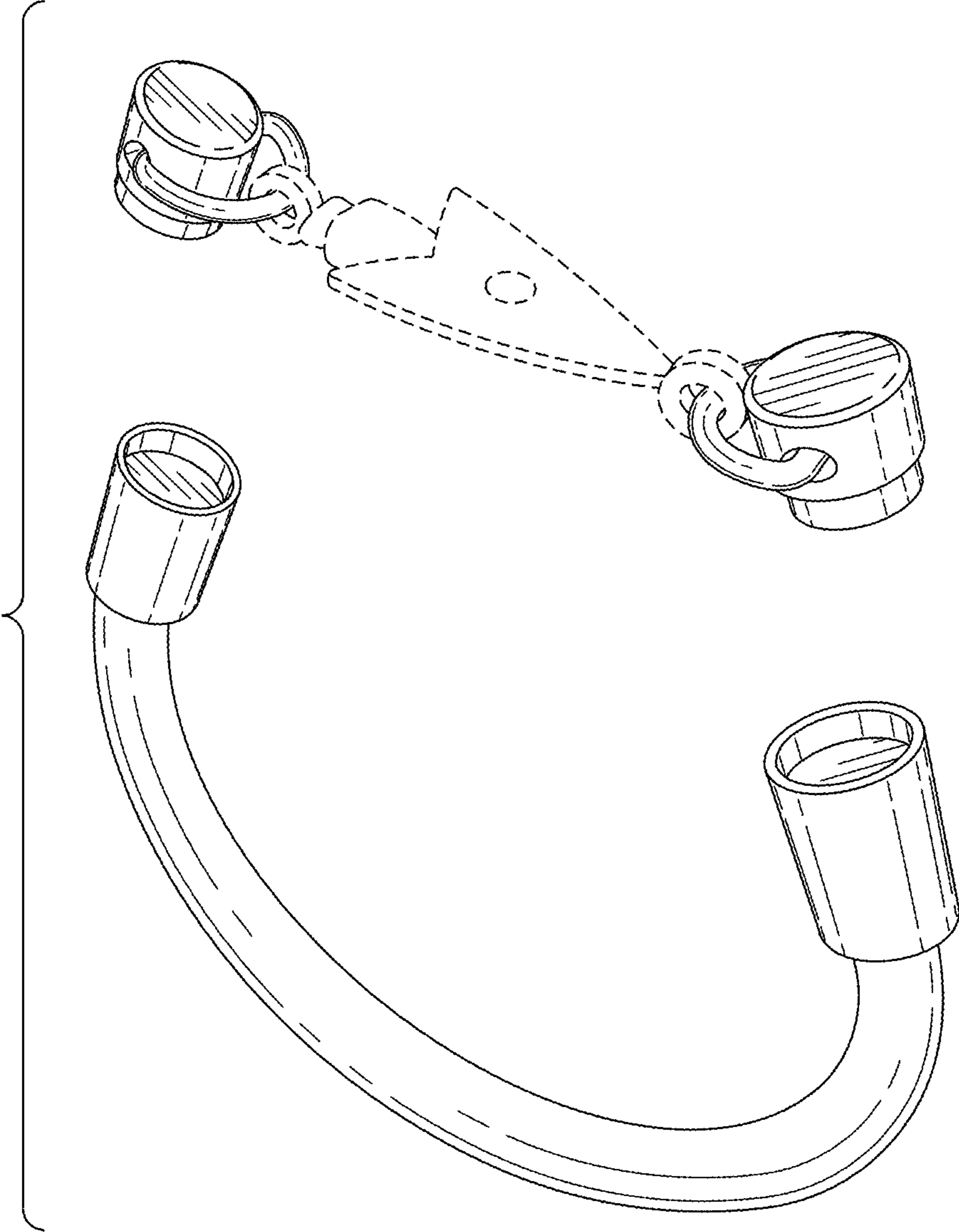


FIG. 8