



US00D704587S

(12) **United States Design Patent**
Solow

(10) **Patent No.:** **US D704,587 S**

(45) **Date of Patent:** **** May 13, 2014**

(54) **ELECTROPNEUMATIC HORN**

7,712,430 B2 5/2010 Solow
7,802,535 B2 9/2010 Solow
7,938,078 B2 5/2011 Solow

(75) Inventor: **Stanley Solow**, Plainview, NY (US)

(73) Assignee: **Wolo Mfg. Corp.**, Deer Park, NY (US)

(**) Term: **14 Years**

(21) Appl. No.: **29/411,122**

(22) Filed: **Jan. 17, 2012**

(51) **LOC (10) Cl.** **10-05**

(52) **U.S. Cl.**
USPC **D10/120**

(58) **Field of Classification Search**
USPC D10/116.1-120; 340/388.1; 116/142 FP,
116/142 R

See application file for complete search history.

(56) **References Cited**

U.S. PATENT DOCUMENTS

1,605,854	A *	11/1926	Putt	181/193
3,124,098	A *	3/1964	Thoben	116/142 R
4,007,703	A *	2/1977	Frigo	116/142 FP
D245,488	S *	8/1977	Pappas et al.	D10/106.2
5,420,563	A *	5/1995	Frigo	340/388.1
7,038,576	B2	5/2006	Di Giovanni et al.		
D581,305	S	11/2008	Solow		
D611,864	S	3/2010	Solow		

OTHER PUBLICATIONS

Nautilus Compact Truck Horns, Stebel, www.stebel.it/stebe12009, Jan. 18, 2012, 3 page.
U.S. Appl. No. 13/297,955, filed Nov. 16, 2011, Solow.

* cited by examiner

Primary Examiner — George D Kirschbaum

(74) *Attorney, Agent, or Firm* — Andrew F. Young, Esq.;
Lackebach Siegel, LLP

(57) **CLAIM**

The ornamental design for a electropneumatic horn, as shown and described.

DESCRIPTION

FIG. 1 is a front perspective view of an electropneumatic horn showing our new design.

FIG. 2 is a front elevational view of FIG. 1.

FIG. 3 is a rear elevational view of FIG. 1.

FIG. 4 is a right side elevational view of FIG. 1.

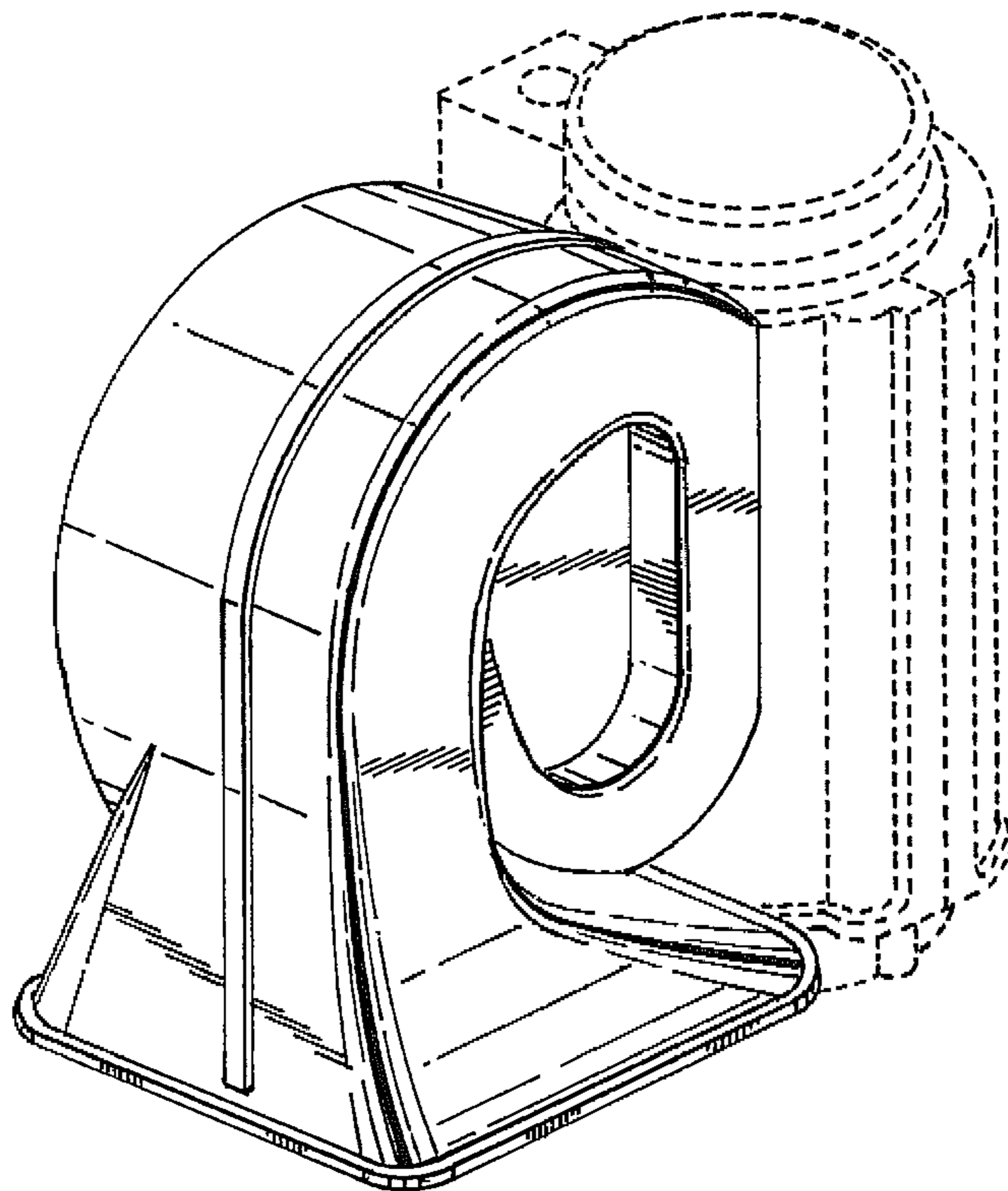
FIG. 5 is a left side elevation view of FIG. 1.

FIG. 6 is a top plan view of FIG. 1; and,

FIG. 7 is bottom plan view of FIG. 1.

The portions shown in FIGS. 1-7 in dashed lines, designate features that are not claimed and are shown for illustration purposes only, and do not contribute to the claimed design.

1 Claim, 6 Drawing Sheets



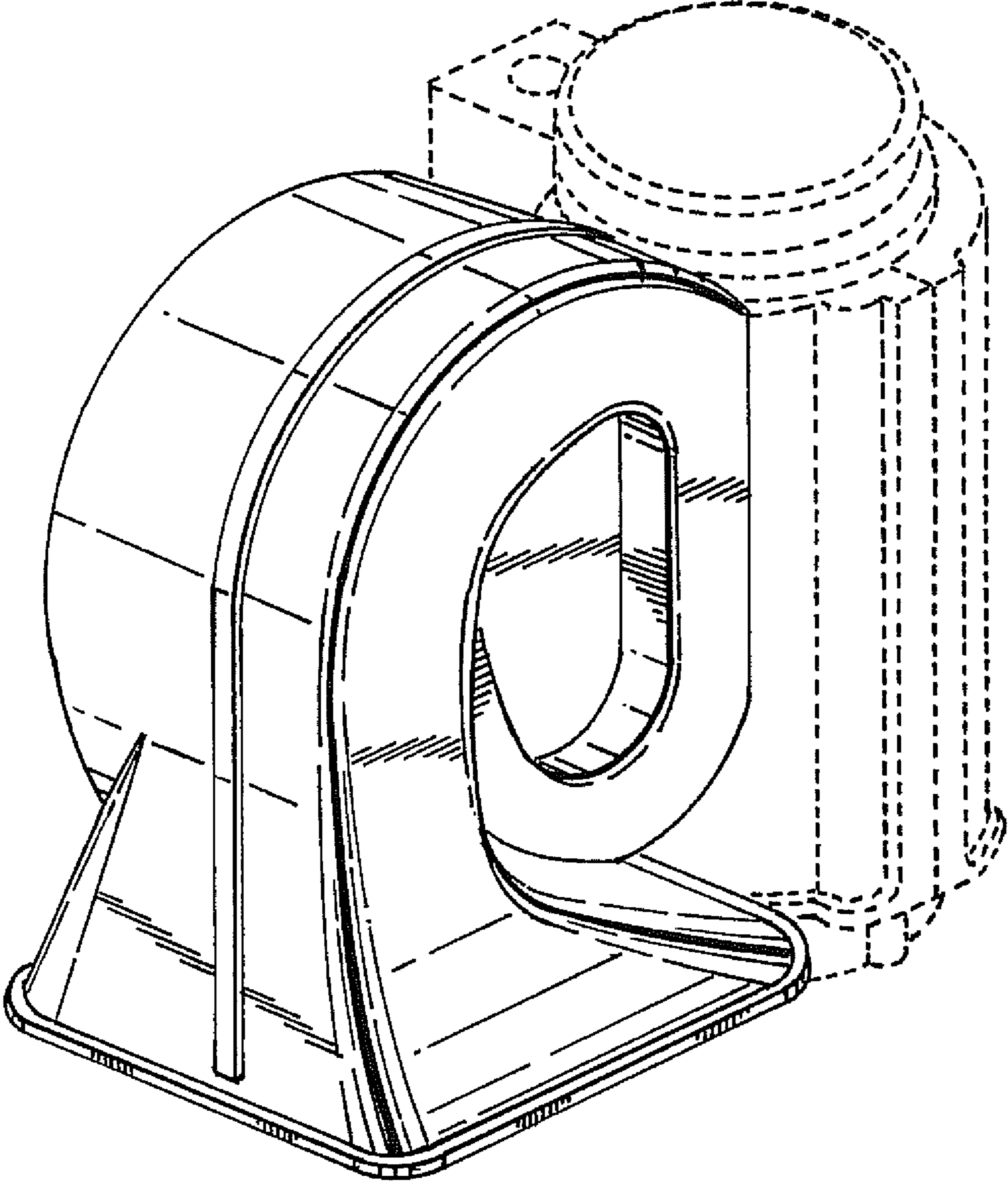


Fig. 1

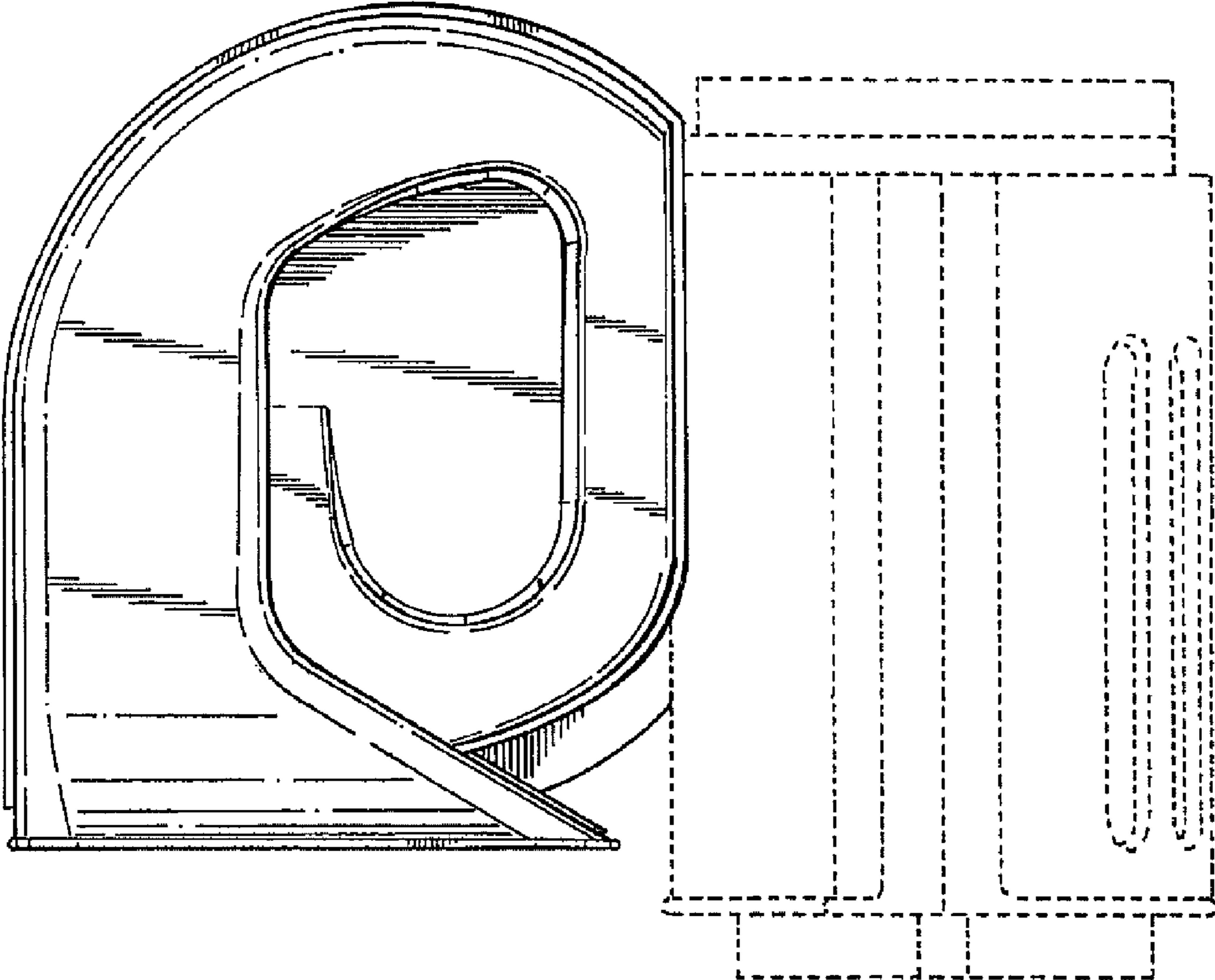


Fig. 2

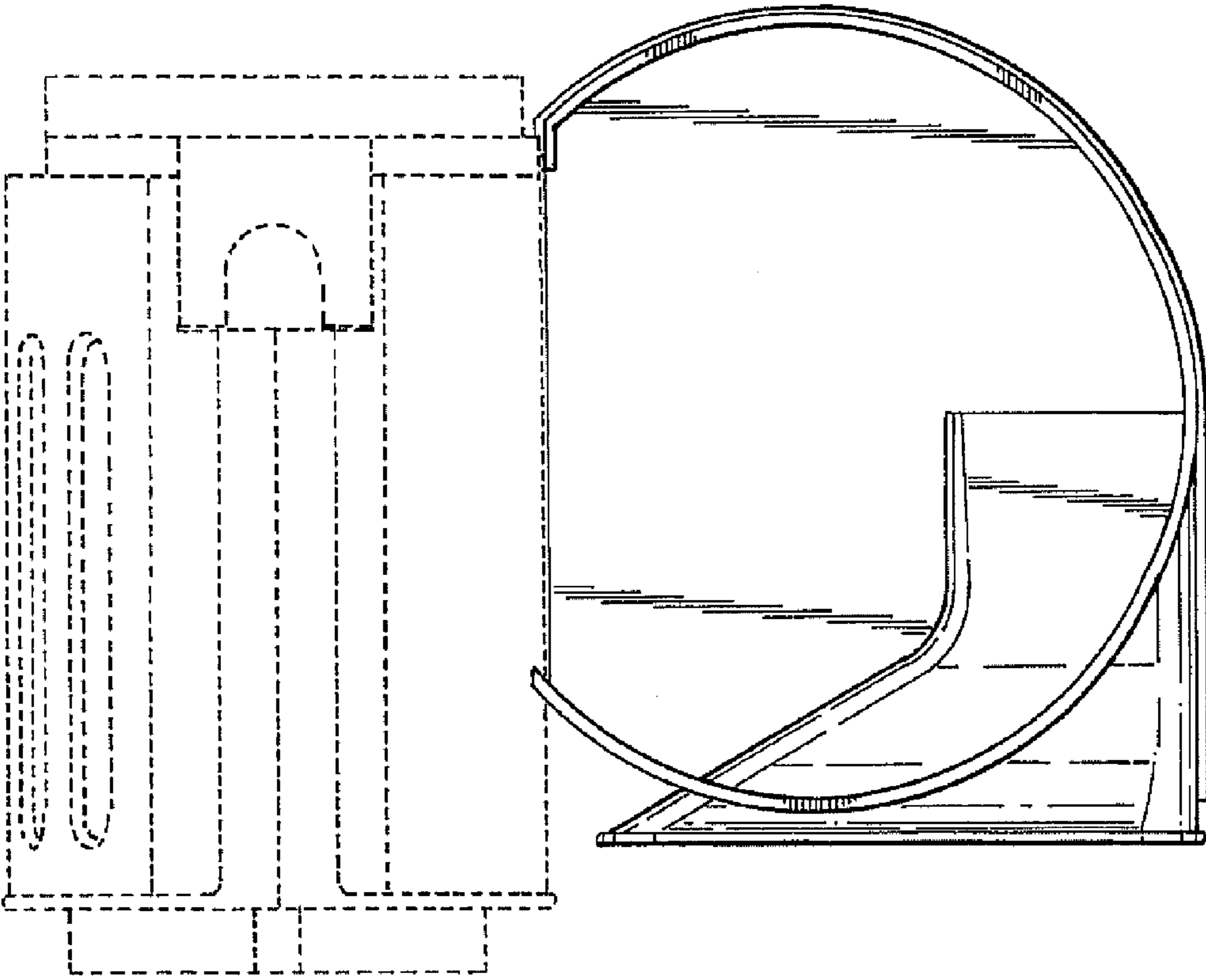


Fig. 3

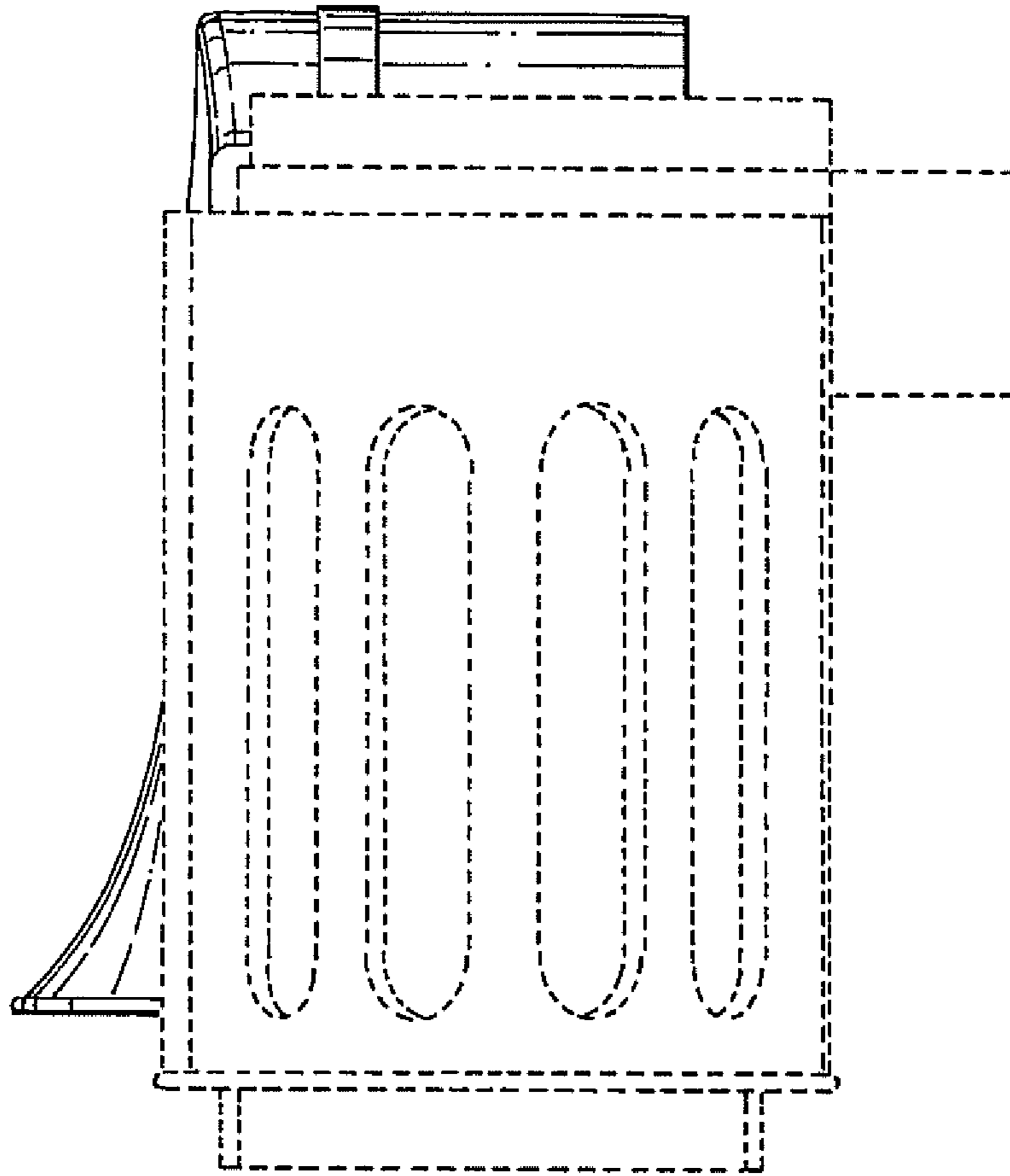


Fig. 4

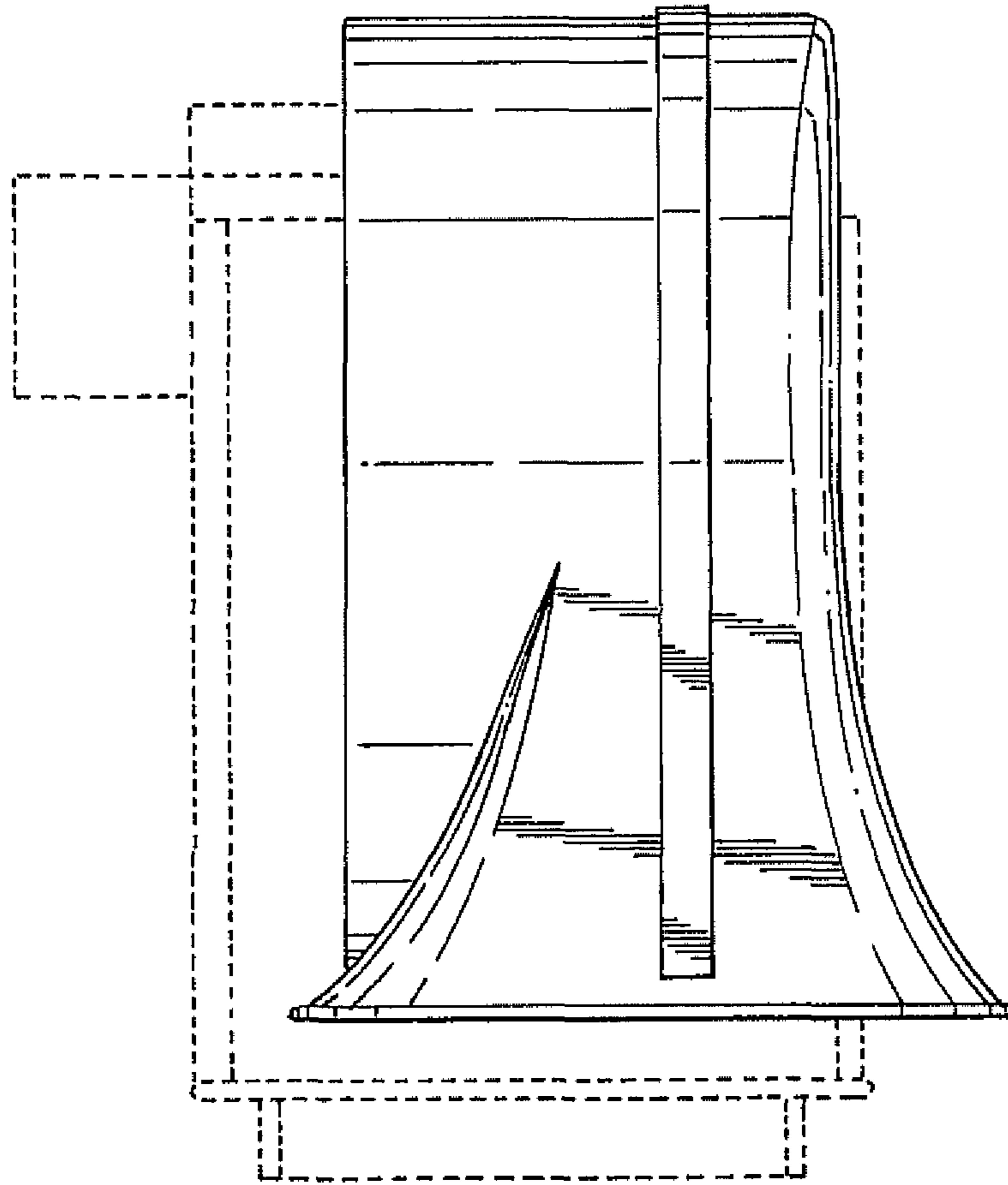


Fig. 5

Fig. 6

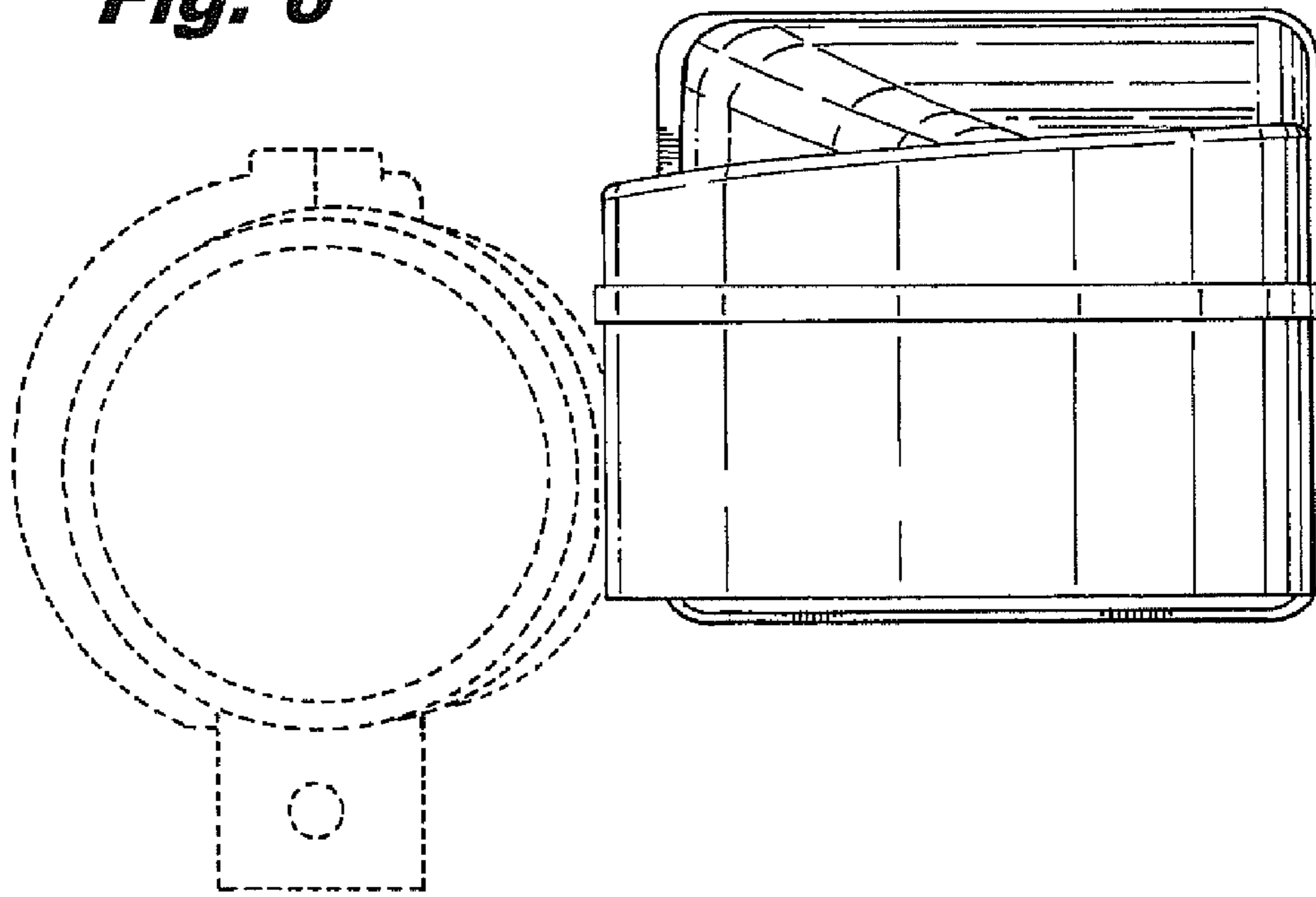


Fig. 7

