



US00D704586S

(12) **United States Design Patent**  
**Williams**

(10) **Patent No.:** **US D704,586 S**

(45) **Date of Patent:** **\*\* May 13, 2014**

(54) **TRAFFIC SAFETY DEVICE**

(71) Applicant: **John Williams**, Springfield, MO (US)

(72) Inventor: **John Williams**, Springfield, MO (US)

(\*\*) Term: **14 Years**

(21) Appl. No.: **29/432,737**

(22) Filed: **Sep. 19, 2012**

(51) **LOC (10) Cl.** ..... **10-05**

(52) **U.S. Cl.**  
USPC ..... **D10/113.4**

(58) **Field of Classification Search**  
USPC ..... D10/109, 113.1–113.4; 116/63 R;  
404/9–16

See application file for complete search history.

(56) **References Cited**

**U.S. PATENT DOCUMENTS**

- 2,829,362 A 4/1958 Terrill
- 3,046,521 A 7/1962 Cantwell et al.
- 3,867,718 A 2/1975 Moe
- 4,052,067 A 10/1977 Carmo
- D277,738 S \* 2/1985 Grammas et al. .... D10/113.2

- 4,613,847 A 9/1986 Scolari et al.
- D292,681 S 11/1987 Evans
- 5,061,921 A 10/1991 Lesko et al.
- 5,422,638 A 6/1995 Singer et al.
- D411,810 S \* 7/1999 Stockman ..... D10/109.2
- 5,959,554 A 9/1999 Armstrong et al.
- 6,104,313 A 8/2000 Boyd, II
- 6,150,957 A 11/2000 Henz et al.
- 7,902,998 B2 3/2011 Wheaton

\* cited by examiner

*Primary Examiner* — George D Kirschbaum

(74) *Attorney, Agent, or Firm* — Lathrop & Gage LLP

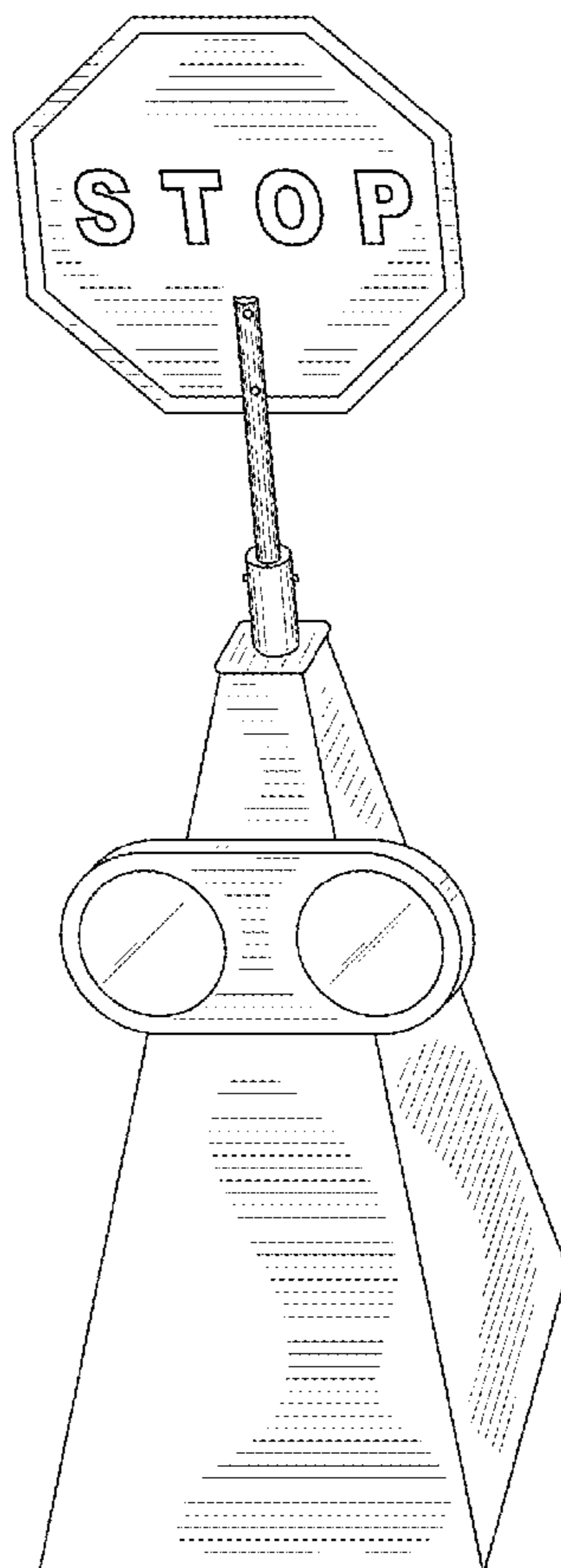
(57) **CLAIM**

An ornamental design for a traffic safety device, as shown and described.

**DESCRIPTION**

FIG. 1 is a perspective view of a traffic safety device;  
 FIG. 2 is a front plan view thereof;  
 FIG. 3 is a rear plan view thereof;  
 FIG. 4 is a plan view of a first side thereof;  
 FIG. 5 is a plan view of a second side opposite the first side shown in FIG. 4; and,  
 FIG. 6 is a bottom plan view.

**1 Claim, 3 Drawing Sheets**



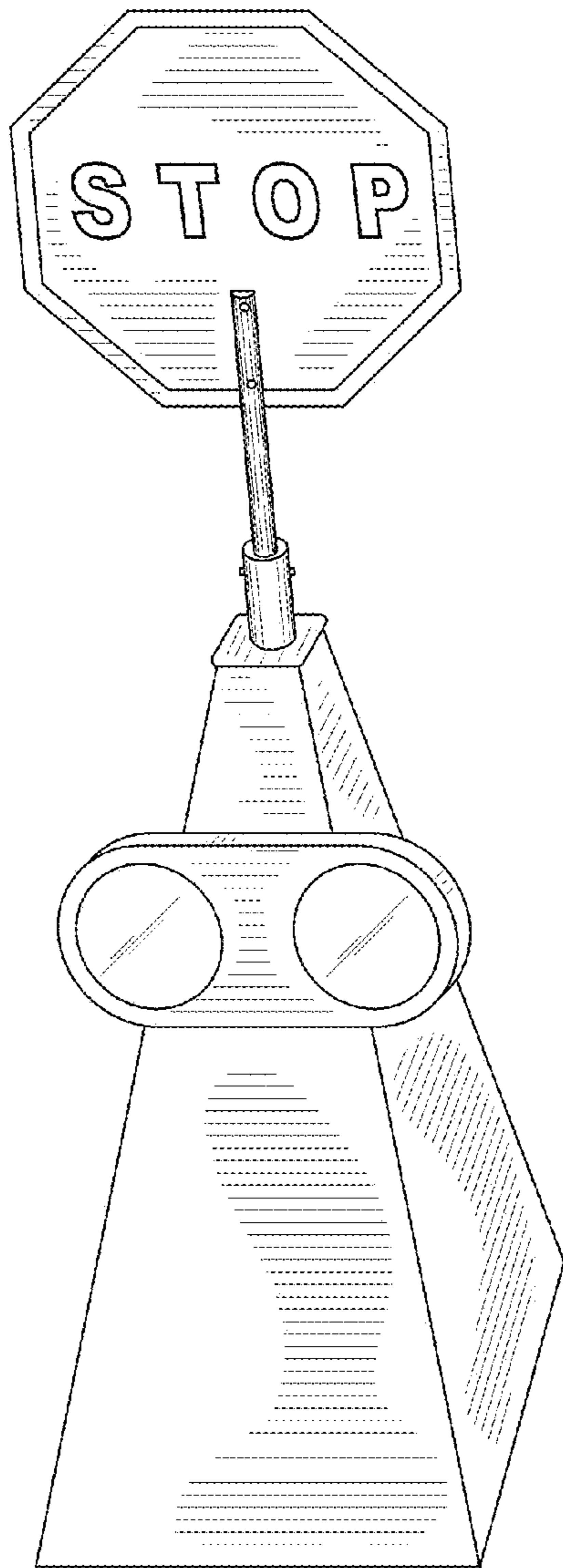


FIG. 1

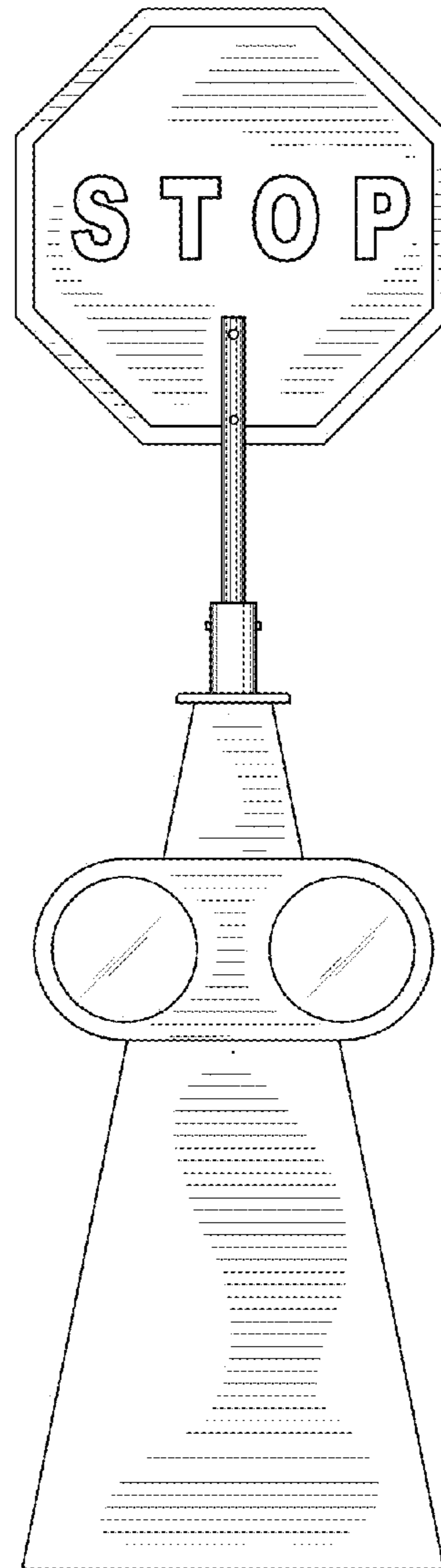


FIG. 2

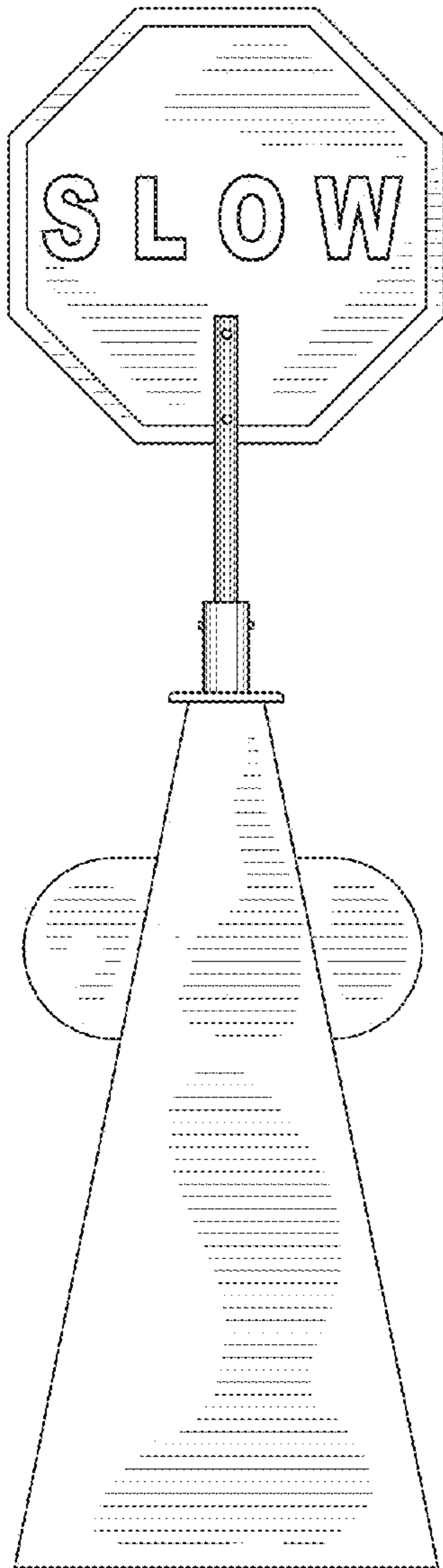


FIG. 3

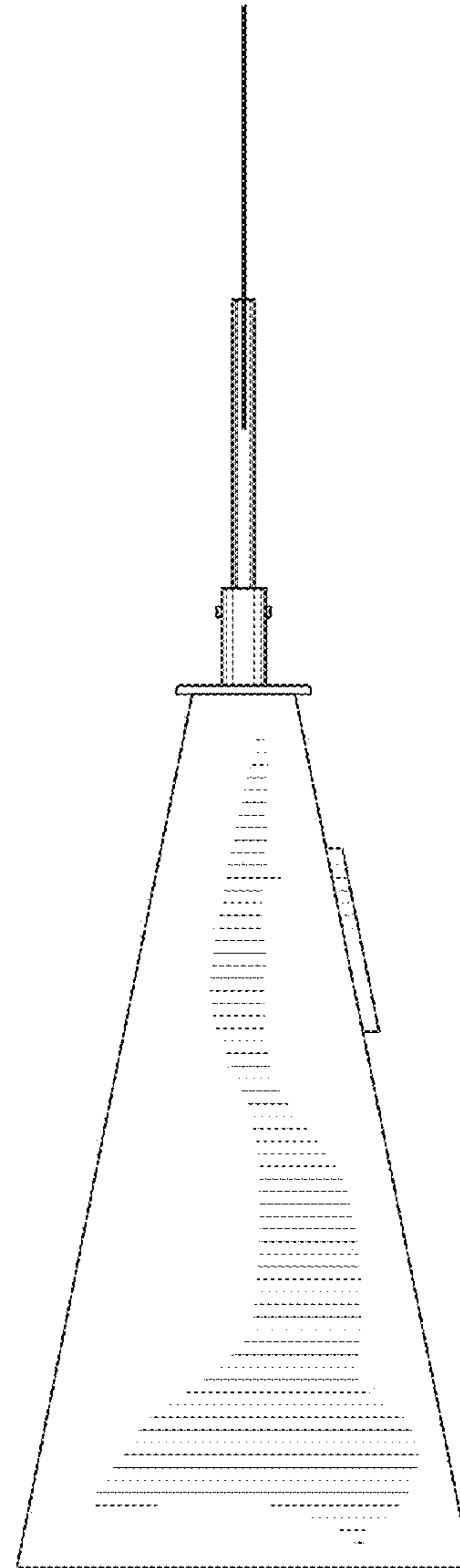


FIG. 4

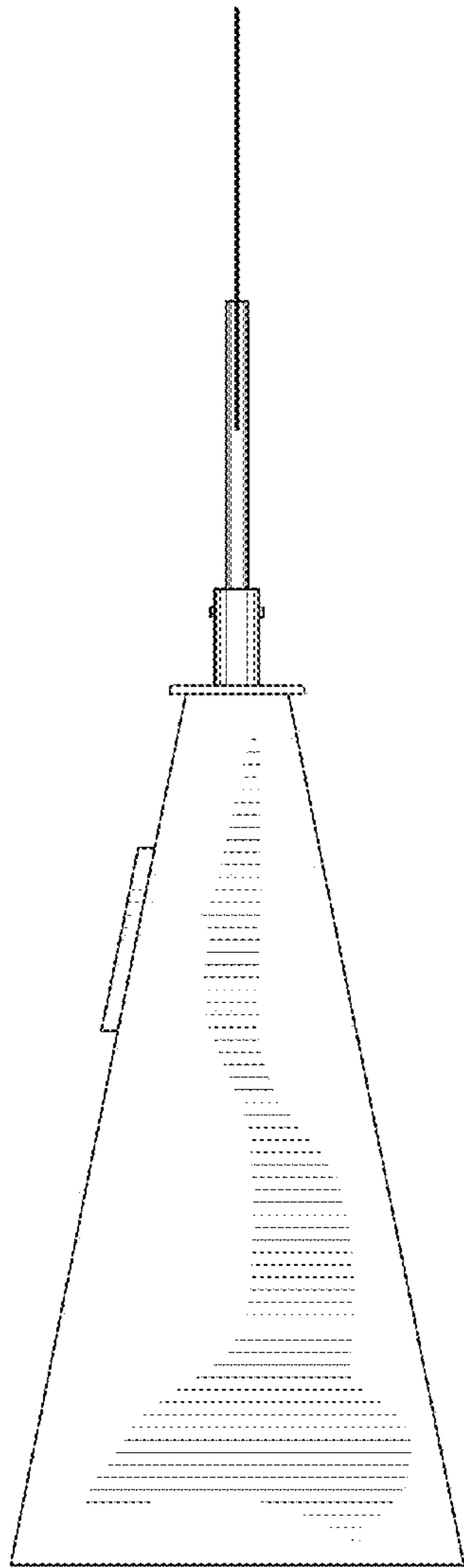


FIG. 5

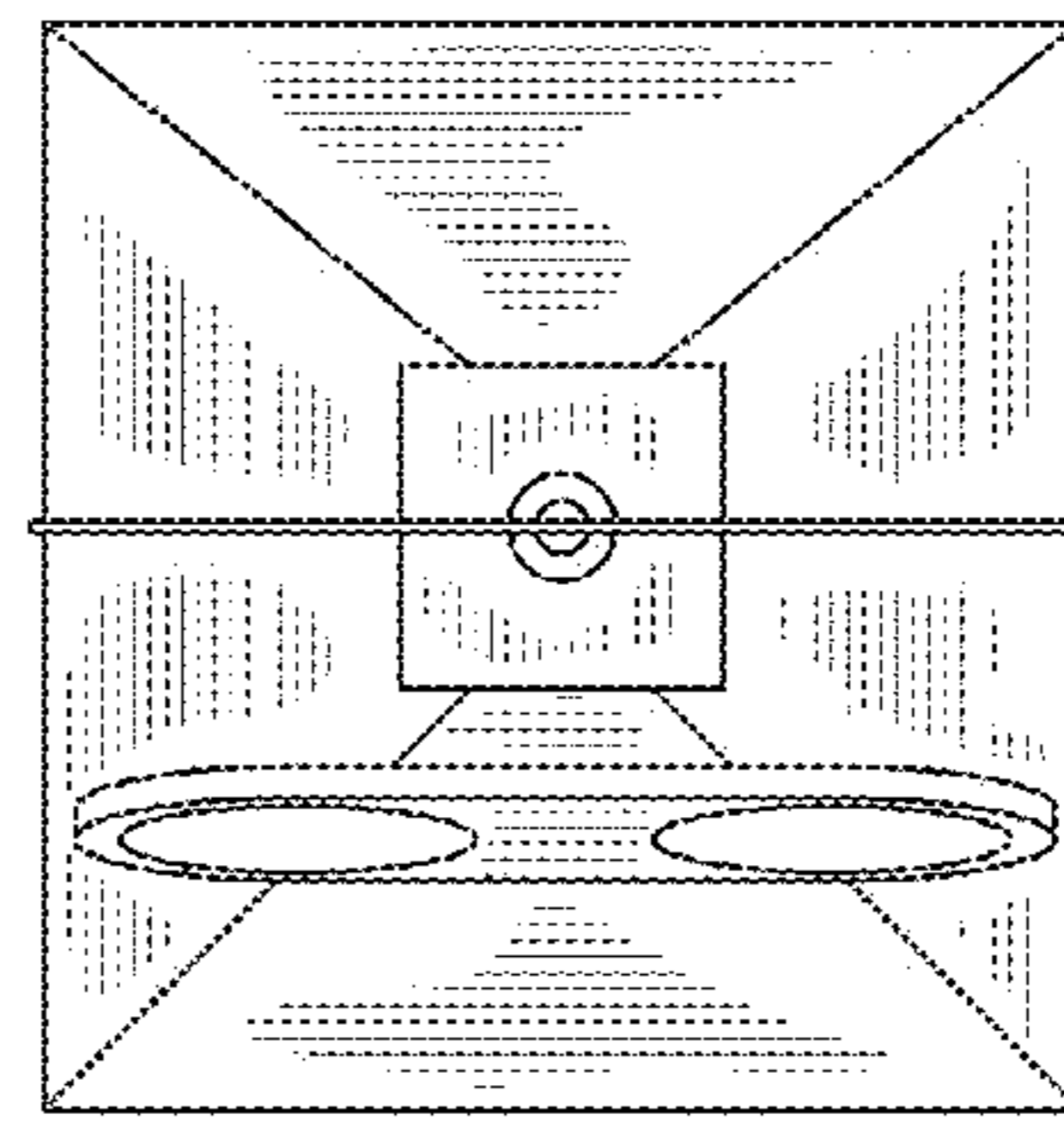


FIG. 6