



US00D704584S

(12) **United States Design Patent**
Dackow

(10) **Patent No.:** **US D704,584 S**

(45) **Date of Patent:** **** May 13, 2014**

(54) **CONE**

(71) Applicant: **Kirk T. Dackow**, Summit, NJ (US)

(72) Inventor: **Kirk T. Dackow**, Summit, NJ (US)

(**) Term: **14 Years**

(21) Appl. No.: **29/438,698**

(22) Filed: **Nov. 30, 2012**

(51) **LOC (10) Cl.** **10-05**

(52) **U.S. Cl.**
USPC **D10/113.2**

(58) **Field of Classification Search**
USPC D10/109, 113.1–113.4; 116/63 R;
404/9–16; D1/105, 118
See application file for complete search history.

(56) **References Cited**

U.S. PATENT DOCUMENTS

2,248,448	A	7/1941	Chester	
4,463,021	A	7/1984	Eufemia	
4,794,008	A	12/1988	Schmidt et al.	
4,874,618	A	10/1989	Seaborne et al.	
D370,331	S *	6/1996	Haas	D1/118

D372,792	S *	8/1996	Haas	D1/118
5,766,658	A	6/1998	Paavila	
D395,936	S *	7/1998	Zada	D1/118
D414,590	S	10/1999	Cole	
6,235,324	B1	5/2001	Luigi Grigoli et al.	
D452,761	S *	1/2002	Swift	D1/105
8,328,462	B2 *	12/2012	Beh	404/9

* cited by examiner

Primary Examiner — George D Kirschbaum

(74) *Attorney, Agent, or Firm* — Myers Wolin, LLC

(57) **CLAIM**

The ornamental design for a cone, as shown and described.

DESCRIPTION

FIG. 1 is an upper front perspective view of a cone showing my new design;

FIG. 2 is a lower rear perspective view thereof;

FIG. 3 is a cross-section taken along line 3-3 of FIG. 5;

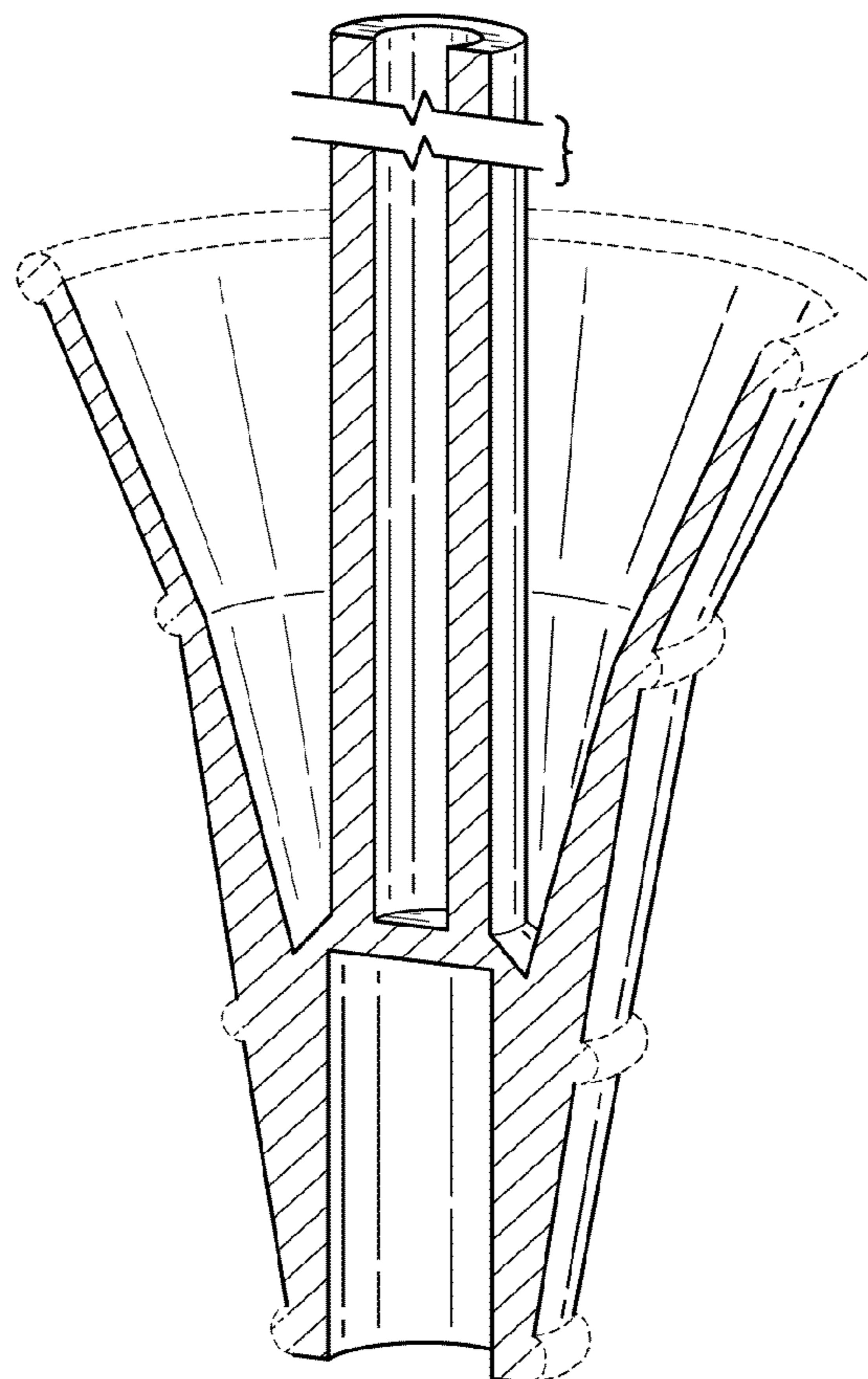
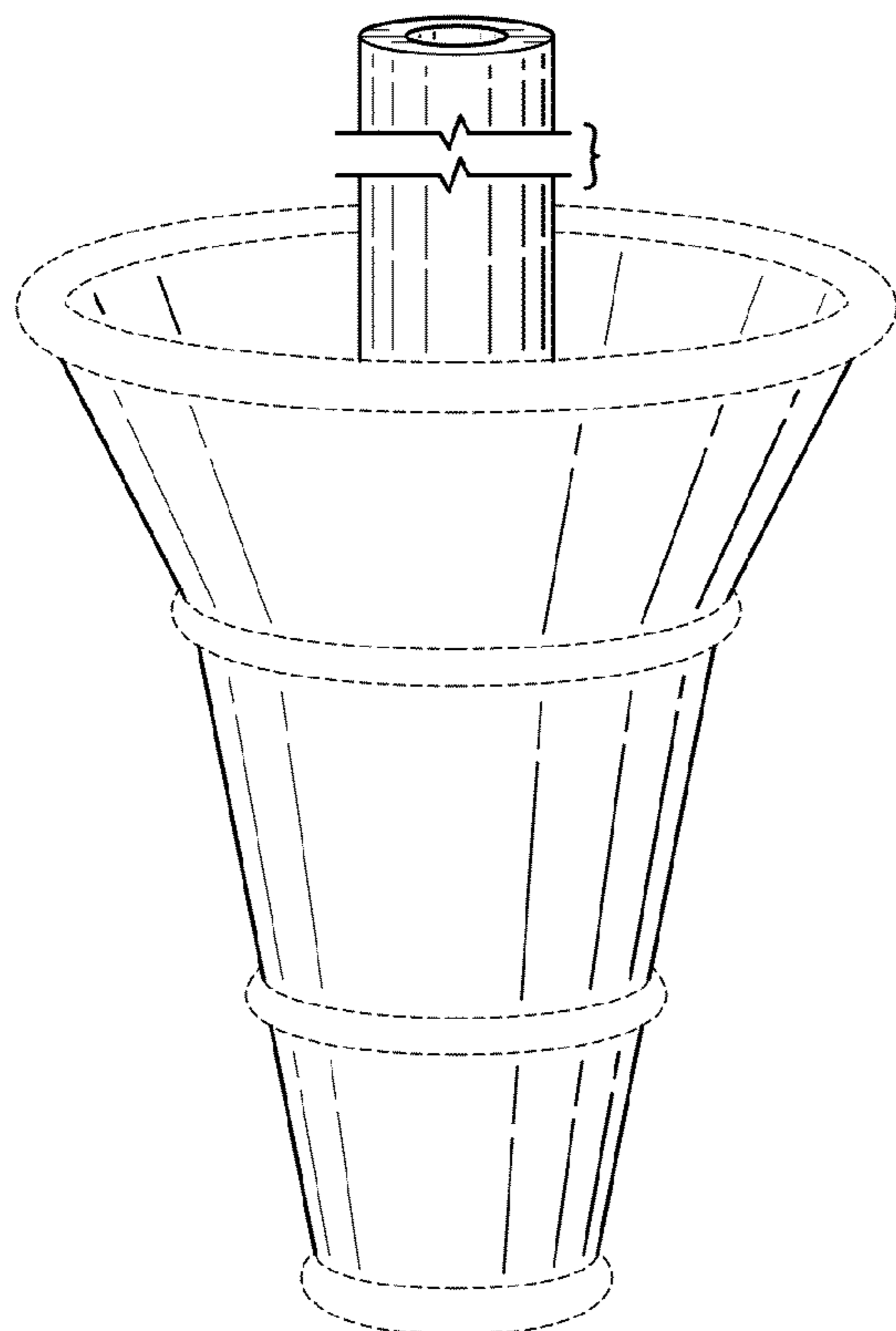
FIG. 4 is a side elevation view thereof;

FIG. 5 is a top plan view thereof; and,

FIG. 6 is a bottom plan view thereof.

The broken lines are for illustrative purposes only and form no part of the claimed design.

1 Claim, 2 Drawing Sheets



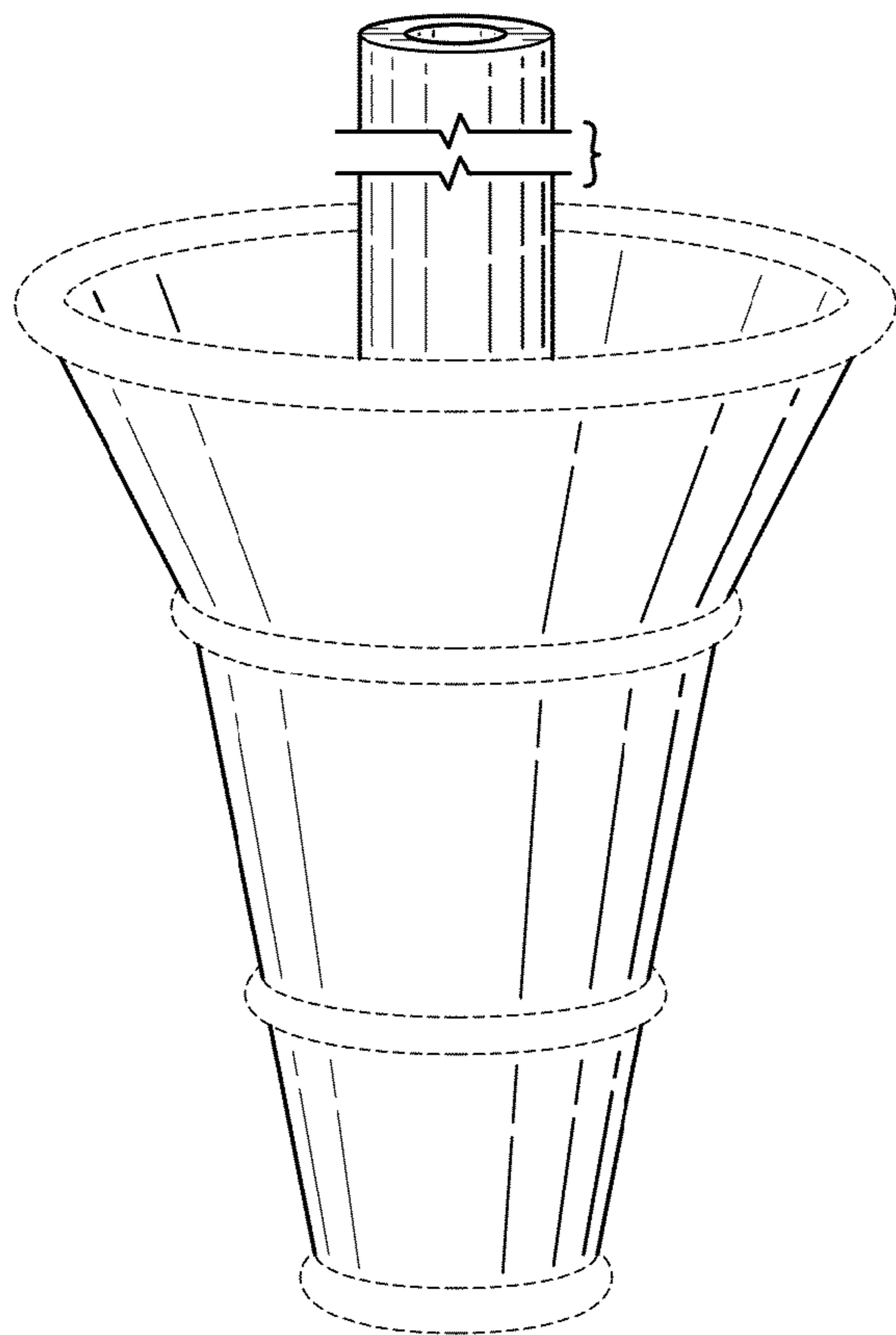


FIG. 1

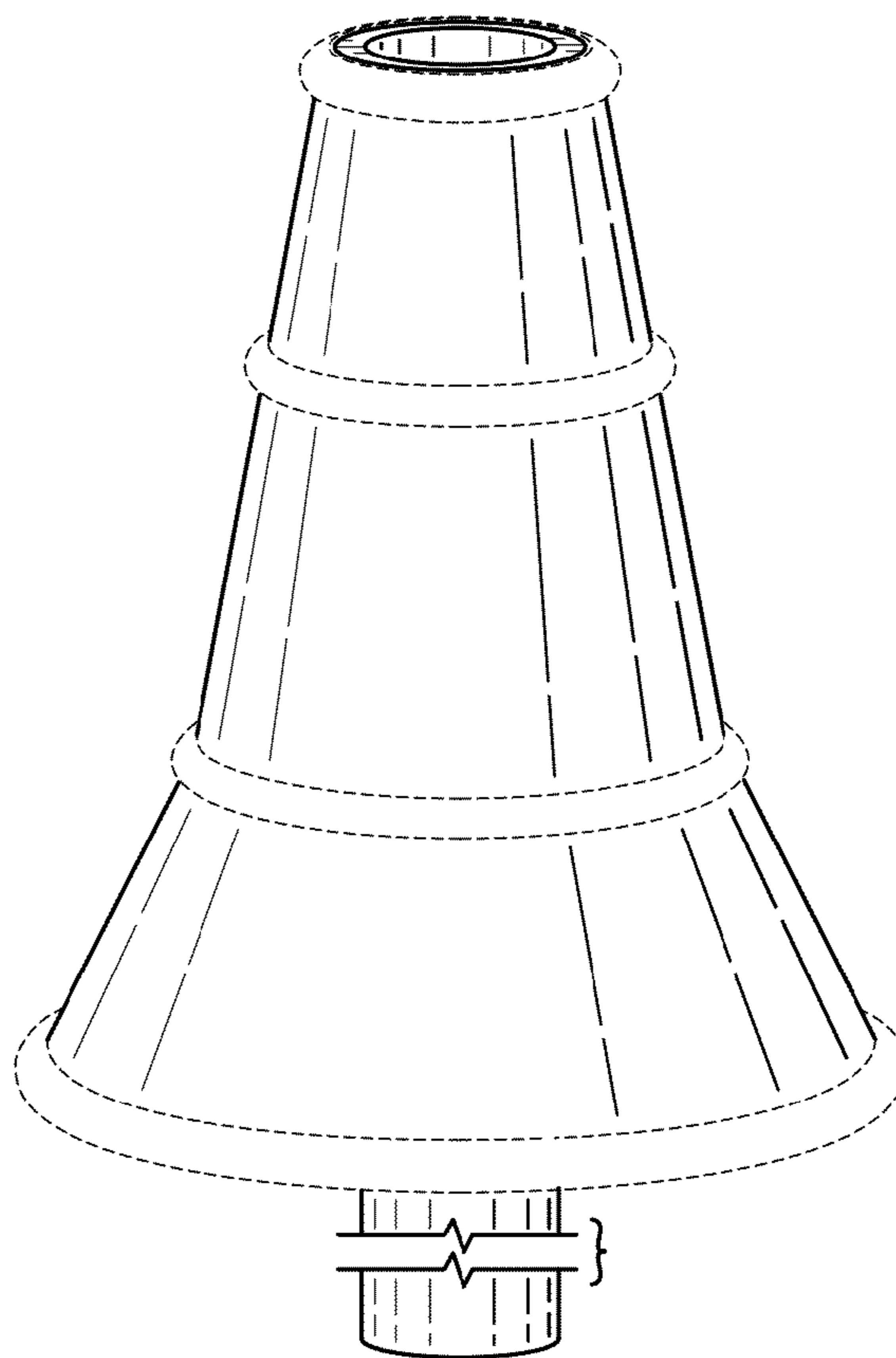


FIG. 2

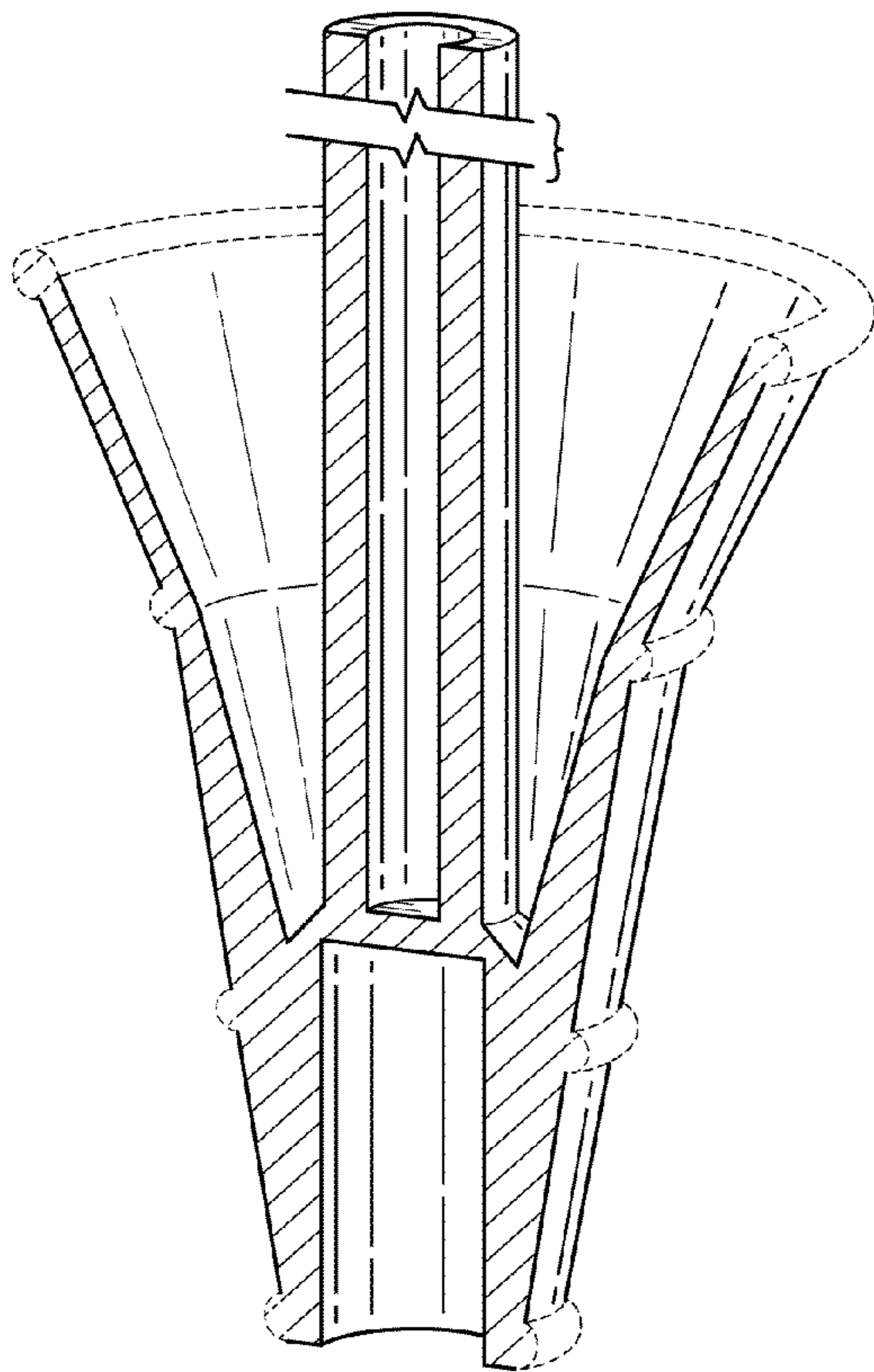


FIG. 3

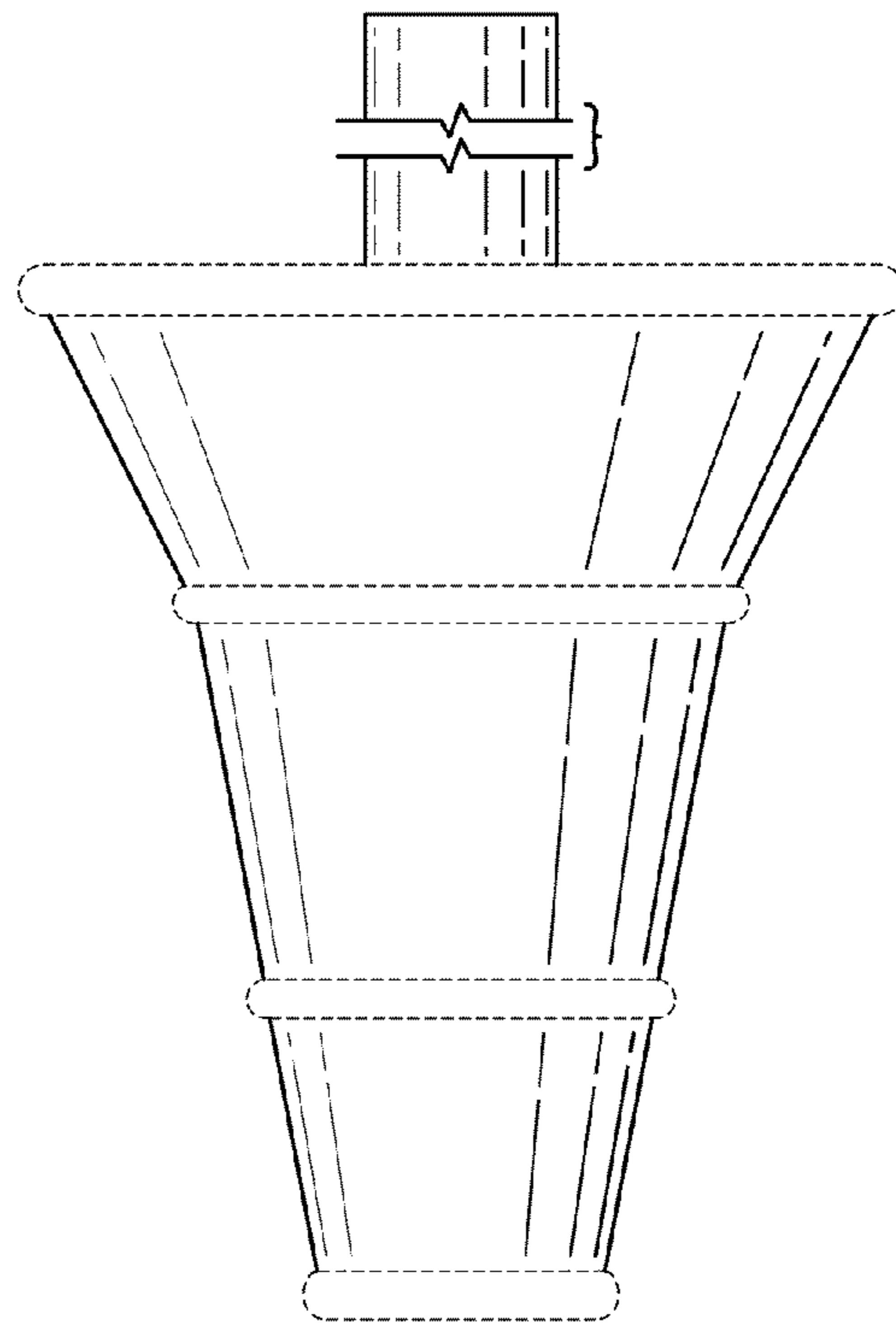


FIG. 4

→ 3

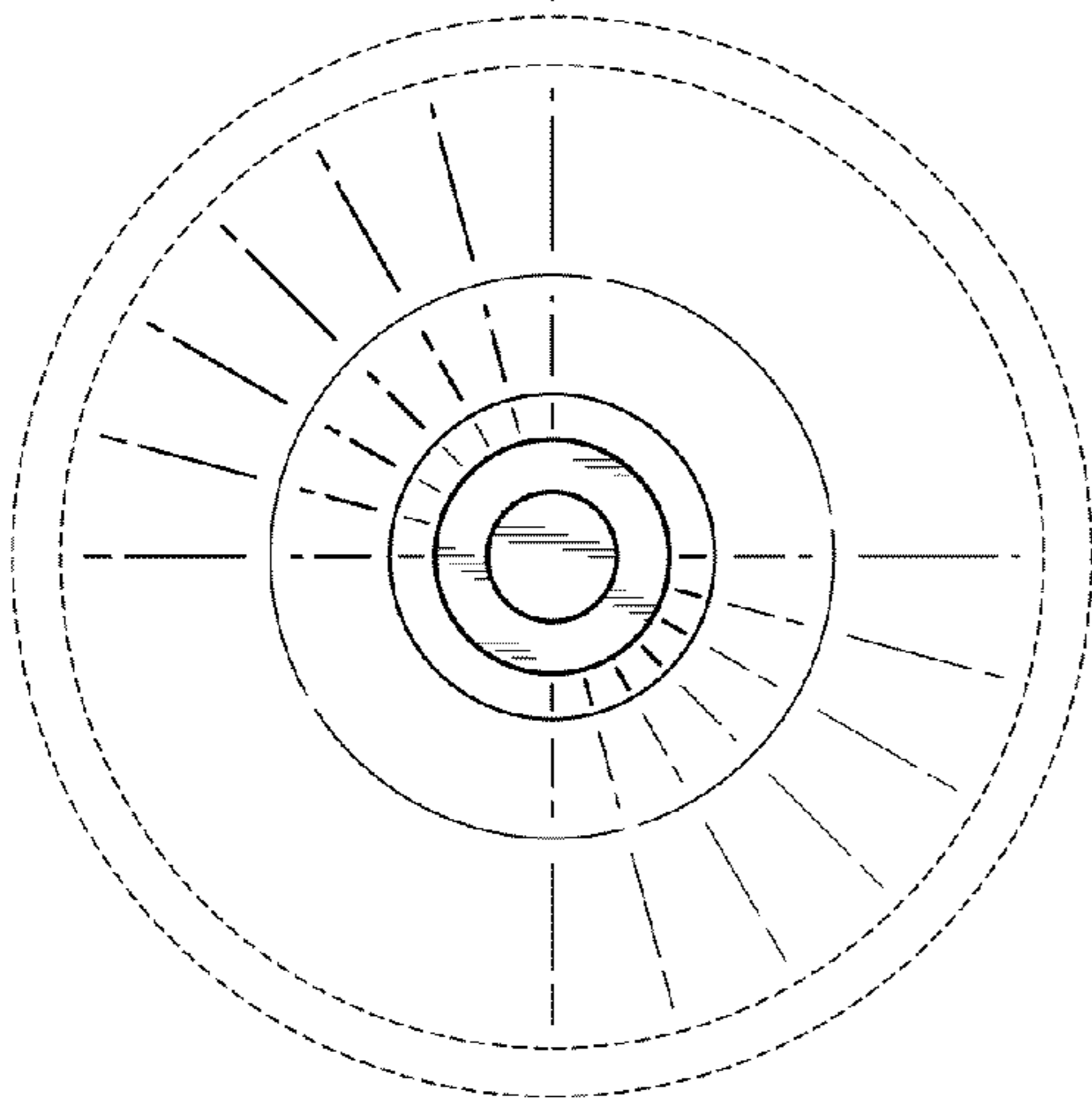


FIG. 5

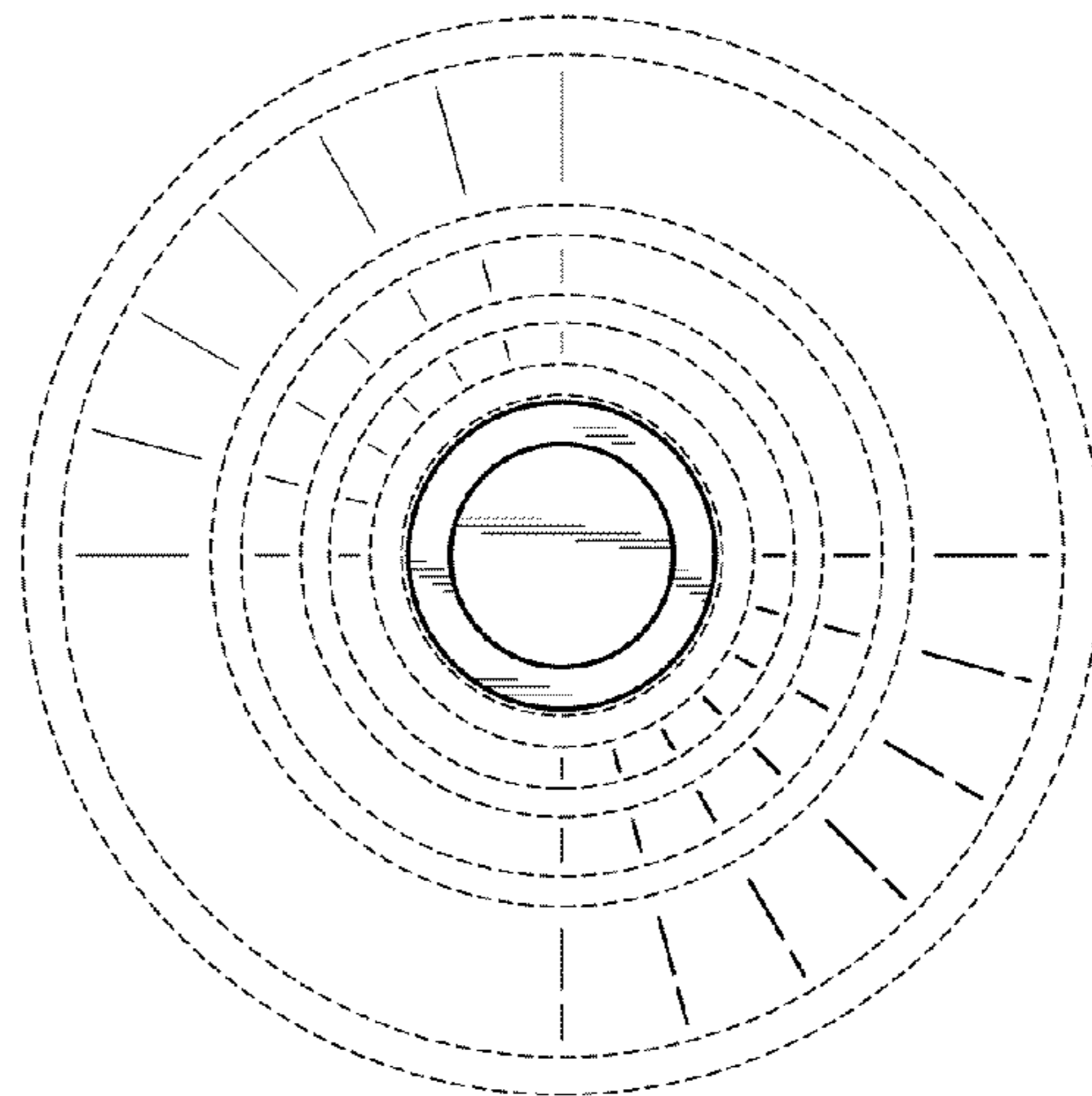


FIG. 6

↳ 3