



US00D704583S

(12) **United States Design Patent**  
**Ueda et al.**

(10) **Patent No.:** **US D704,583 S**  
(45) **Date of Patent:** **\*\* May 13, 2014**

(54) **SPEEDOMETER FOR A BICYCLE**

(56) **References Cited**

(71) Applicant: **Cateye Co., Ltd.**, Osaka (JP)

U.S. PATENT DOCUMENTS

(72) Inventors: **Takashi Ueda**, Osaka (JP); **Toshiyuki Nagano**, Osaka (JP); **Yoji Okuda**, Osaka (JP)

5,545,982	A *	8/1996	Vlakancic	.....	324/174
D401,522	S *	11/1998	Ueda et al.	.....	D10/98
D522,394	S *	6/2006	Okuda et al.	.....	D10/98
7,915,554	B2 *	3/2011	Ueda et al.	.....	200/315
8,094,141	B2 *	1/2012	Jin et al.	.....	345/184
8,149,098	B2 *	4/2012	Miglioranza	.....	340/432
D679,617	S *	4/2013	Ueda et al.	.....	D10/98
D680,890	S *	4/2013	Ueda et al.	.....	D10/98

(73) Assignee: **Cateye Co., Ltd.**, Higashisumiyoshi-ku, Osaka-shi, Osaka (JP)

\* cited by examiner

(\*\*) Term: **14 Years**

*Primary Examiner* — Antoine D. Davis

(21) Appl. No.: **29/452,903**

(74) *Attorney, Agent, or Firm* — Olson & Cepuritis, Ltd.

(22) Filed: **Apr. 23, 2013**

(57) **CLAIM**

The ornamental design for a speedometer for a bicycle, as shown.

(30) **Foreign Application Priority Data**

**DESCRIPTION**

Nov. 1, 2012 (JP) ..... 2012026653

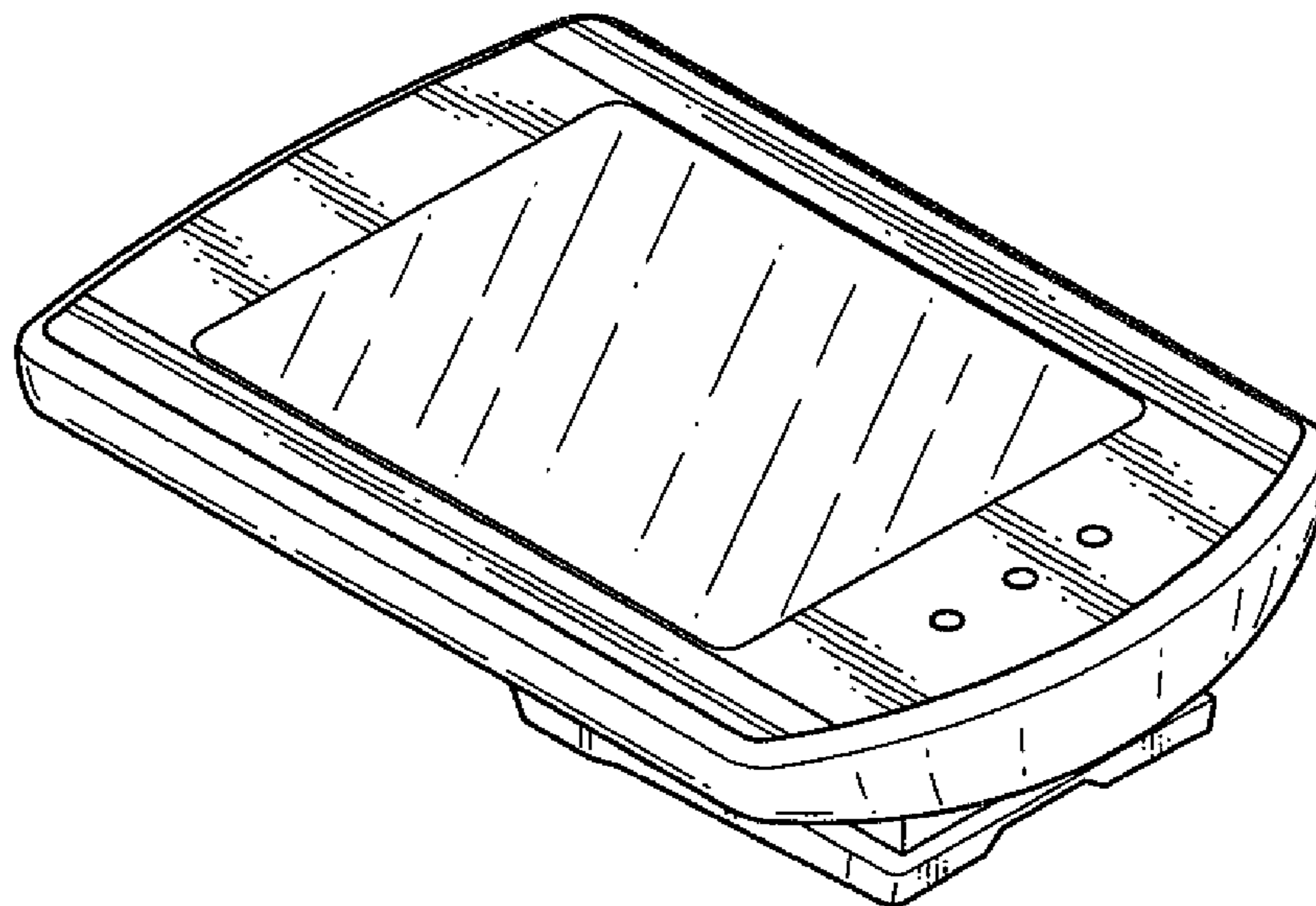
(51) **LOC (10) Cl.** ..... **10-04**

(52) **U.S. Cl.**  
USPC ..... **D10/98**

(58) **Field of Classification Search**  
USPC ..... D10/98; 73/490, 493, 514.39, 527;  
235/95 R; 324/160–180, 207.13,  
324/207.22, 207.25; 340/432; 702/145–148  
See application file for complete search history.

FIG. 1 is a perspective view of a speedometer for a bicycle showing our new design;  
FIG. 2 is a front view thereof;  
FIG. 3 is a rear view thereof;  
FIG. 4 is a top plan view thereof;  
FIG. 5 is a bottom plan view thereof;  
FIG. 6 is a right side view thereof; and,  
FIG. 7 is a left side view thereof.

**1 Claim, 5 Drawing Sheets**



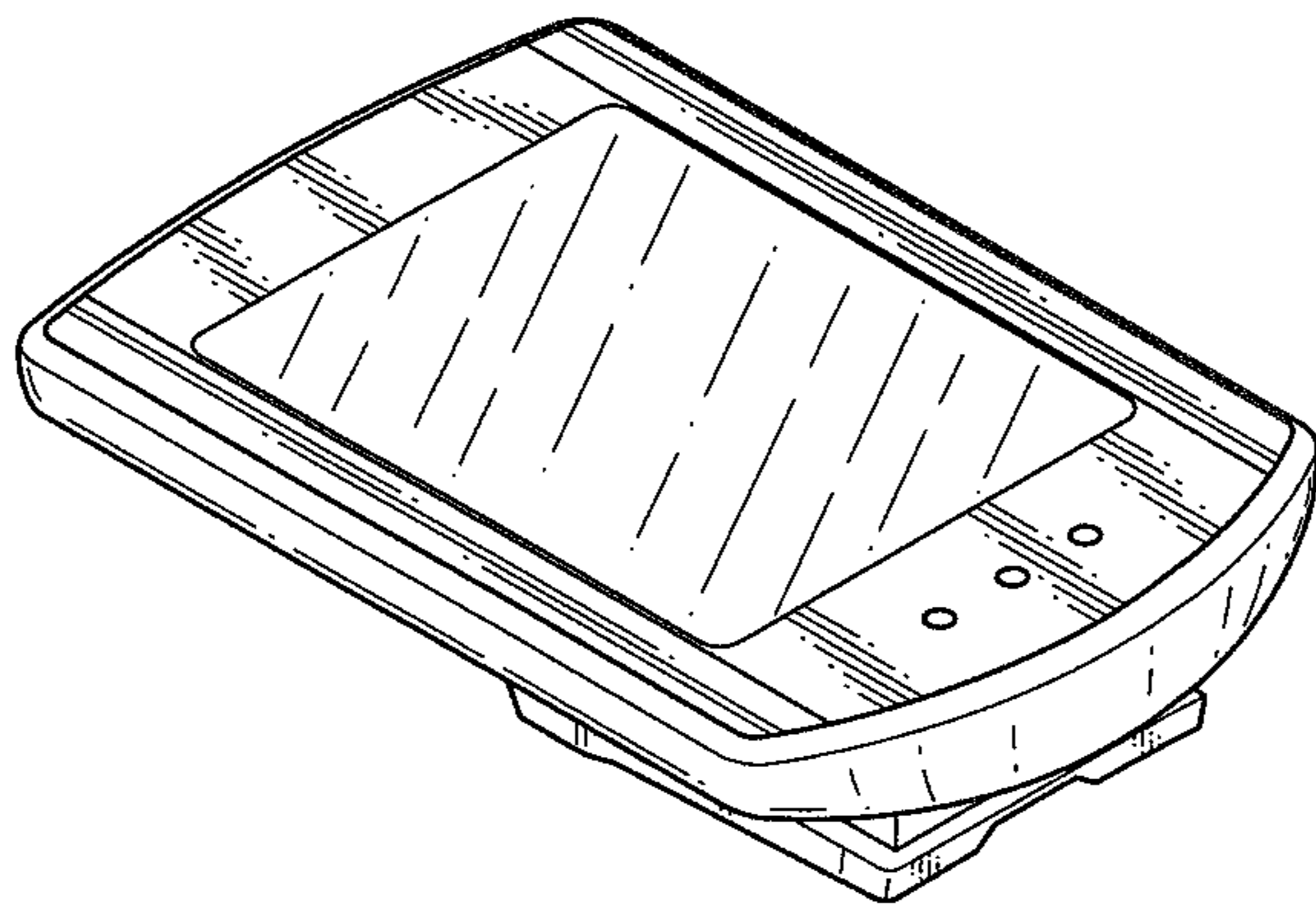


Fig. 1

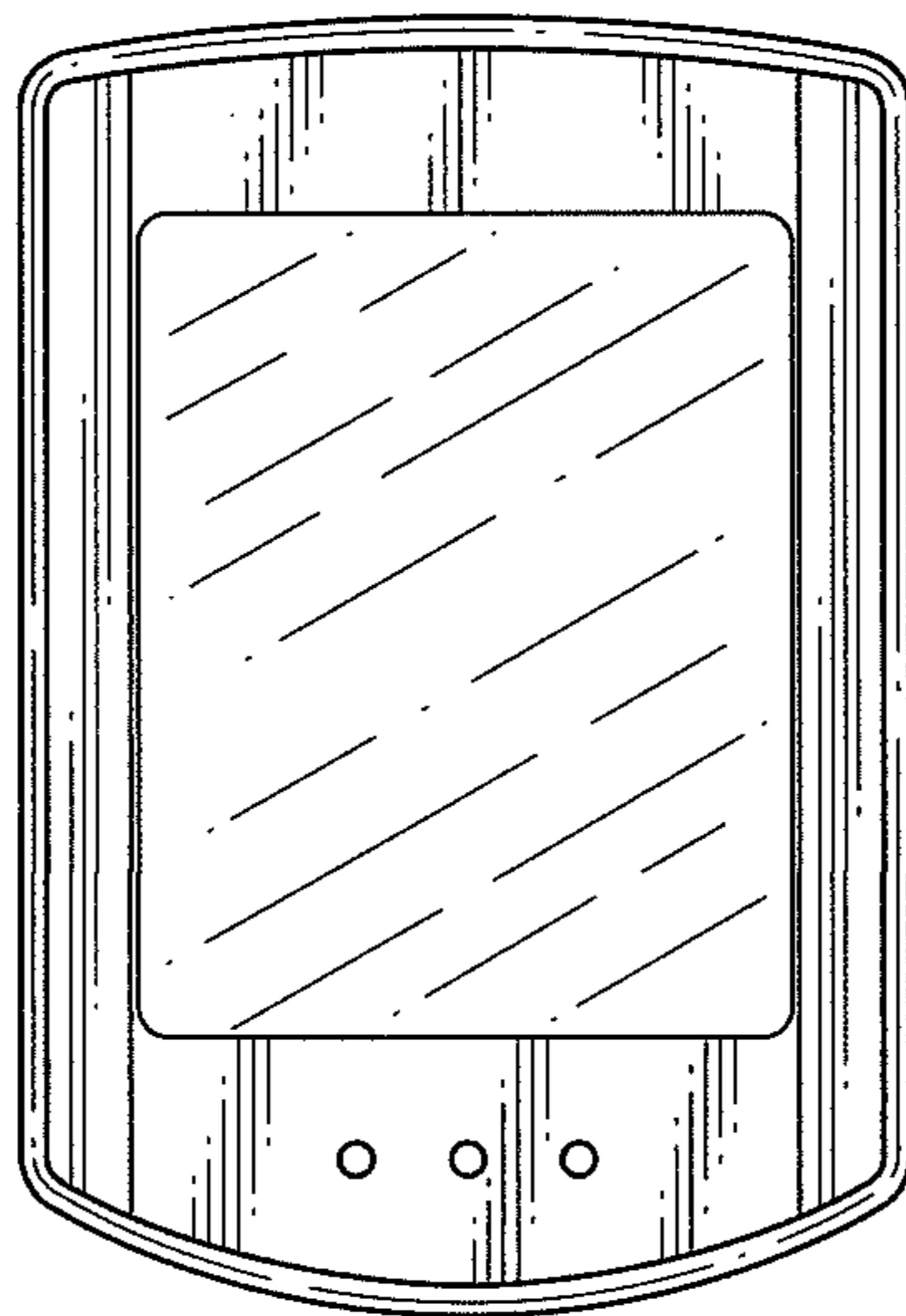


Fig. 2

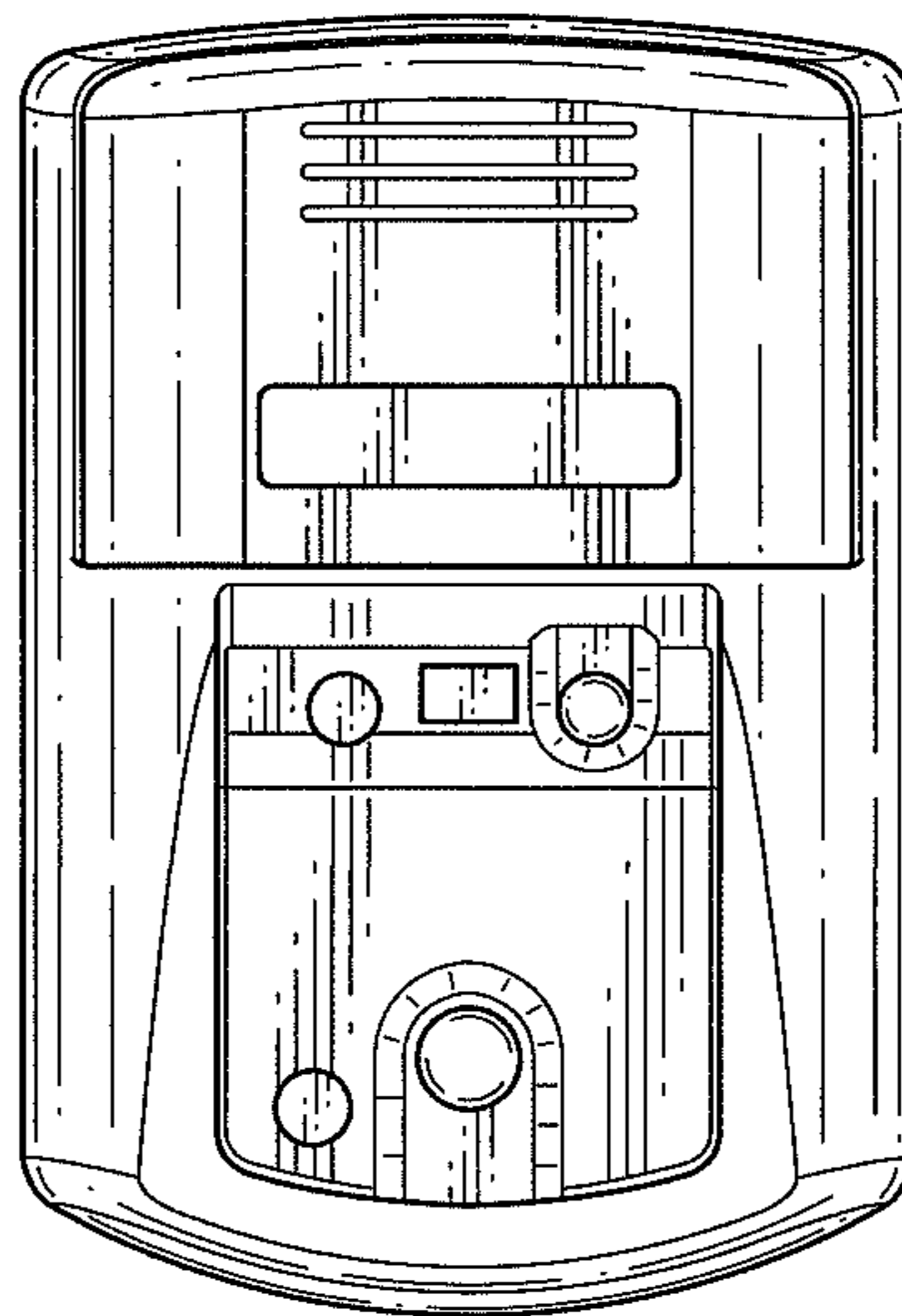


Fig. 3

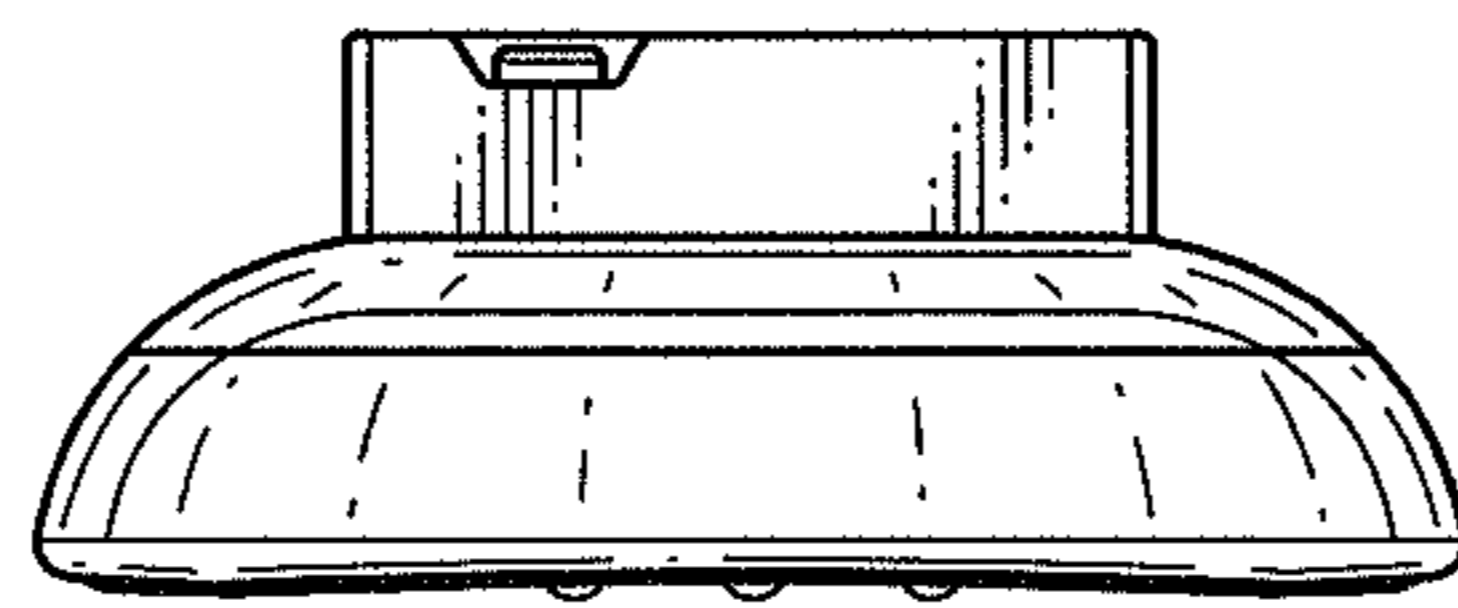


Fig. 4

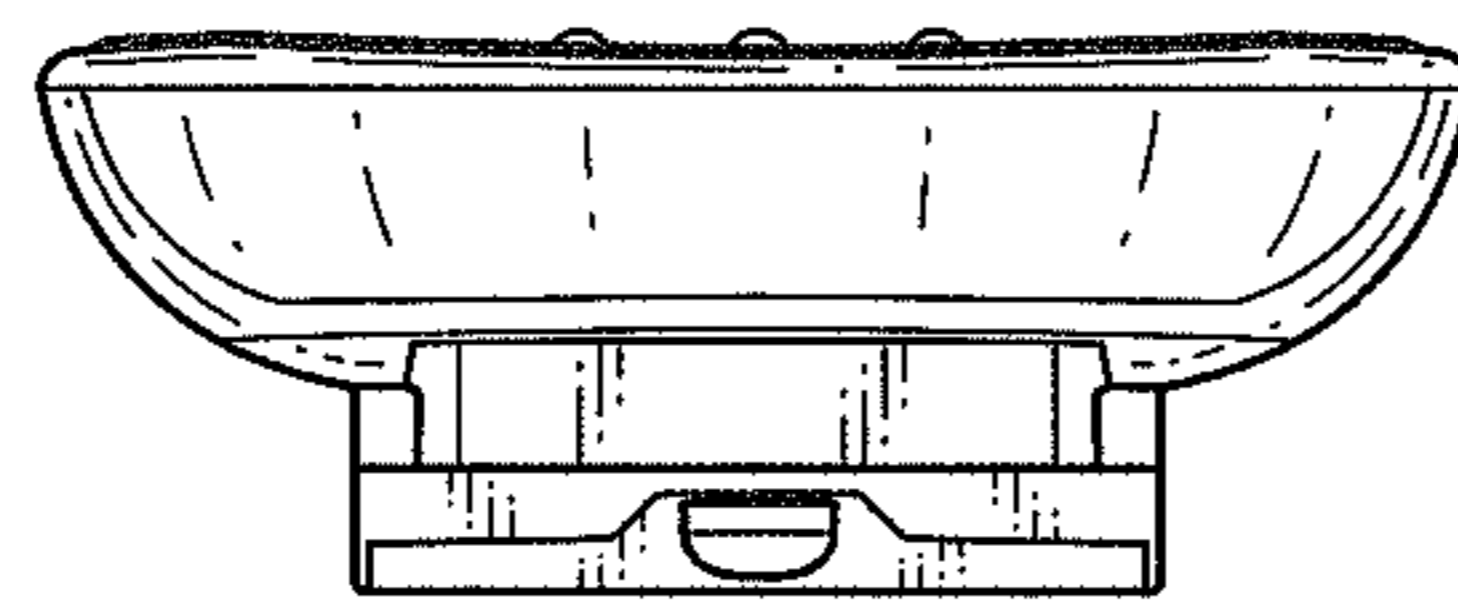


Fig. 5

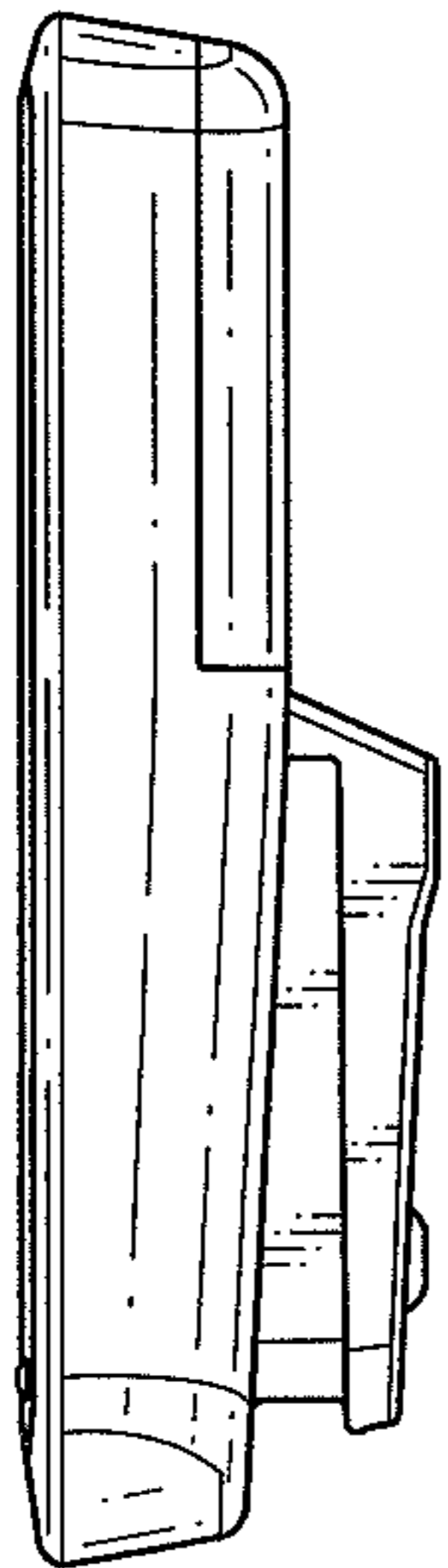


Fig. 6

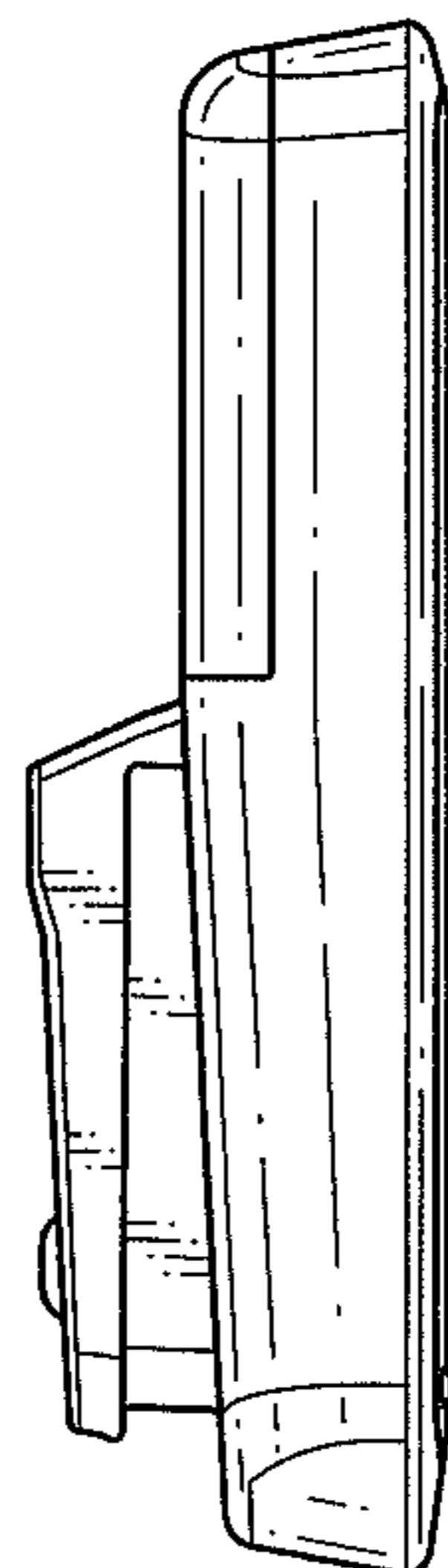


Fig. 7