



US00D704582S

(12) **United States Design Patent**
Muraoka et al.

(10) **Patent No.:** **US D704,582 S**

(45) **Date of Patent:** **** May 13, 2014**

(54) **HARDNESS TESTER**

(71) Applicant: **Shimadzu Corporation**, Kyoto (JP)

(72) Inventors: **Hiroshi Muraoka**, Kyoto (JP);
Kazuhiro Matsushita, Osaka (JP)

(73) Assignee: **Shimadzu Corporation**, Kyoto (JP)

(**) Term: **14 Years**

(21) Appl. No.: **29/435,530**

(22) Filed: **Oct. 25, 2012**

(30) **Foreign Application Priority Data**

Aug. 10, 2012 (JP) 2012-019346
Aug. 10, 2012 (JP) 2012-019347

(51) **LOC (10) Cl.** **10-04**

(52) **U.S. Cl.**
USPC **D10/83**

(58) **Field of Classification Search**
USPC D10/83-85; 73/78-85, 760-860,
73/862-862.382, 866; 382/141, 199, 693
See application file for complete search history.

(56) **References Cited**

U.S. PATENT DOCUMENTS

4,442,705 A * 4/1984 Lang et al. 73/83
D283,599 S * 4/1986 Biddle et al. D10/83

4,667,509 A * 5/1987 Tobolski et al. 73/83
5,616,857 A * 4/1997 Merck et al. 73/82
D394,015 S * 5/1998 Kellstedt et al. D10/83
6,142,010 A * 11/2000 Merck et al. 73/81
6,691,564 B2 * 2/2004 Anderberg 73/81
7,139,422 B2 * 11/2006 Hauck et al. 382/141
D691,501 S * 10/2013 Schulz et al. D10/83

* cited by examiner

Primary Examiner — Antoine D Davis

(74) *Attorney, Agent, or Firm* — Jianq Chyun IP Office

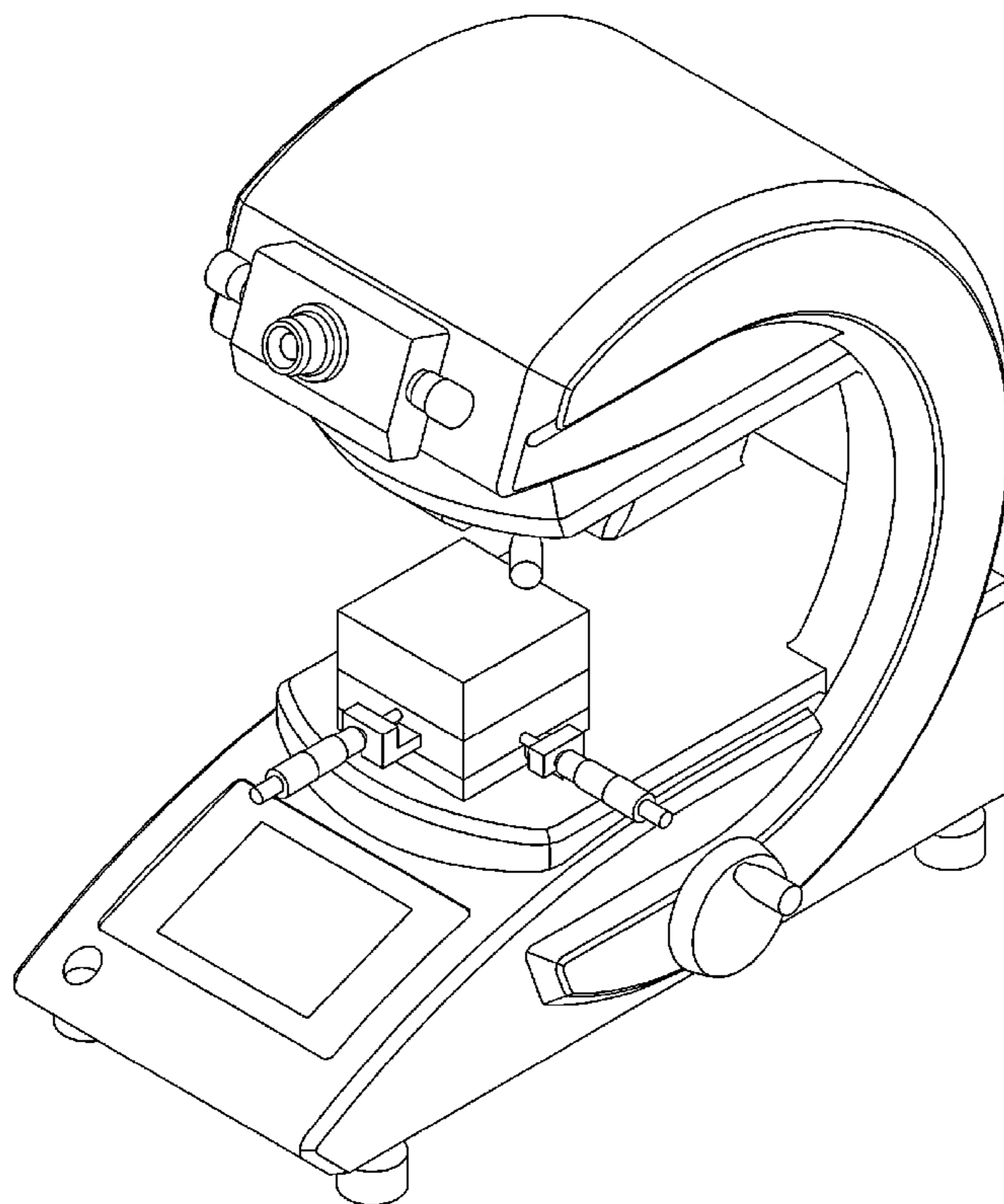
(57) **CLAIM**

The ornamental design for a hardness tester, as shown.

DESCRIPTION

FIG. 1 is a perspective view of a hardness tester showing a first embodiment of our new design;
FIG. 2 is a front view of the first embodiment;
FIG. 3 is a rear view of the first embodiment;
FIG. 4 is a left side view of the first embodiment;
FIG. 5 is a right side view of the first embodiment;
FIG. 6 is a top view of the first embodiment;
FIG. 7 is a bottom view of the first embodiment;
FIG. 8 is a perspective view of a hardness tester showing a second embodiment of our new design;
FIG. 9 is a front view of the second embodiment;
FIG. 10 is a rear view of the second embodiment;
FIG. 11 is a left side view of the second embodiment;
FIG. 12 is a right side view of the second embodiment;
FIG. 13 is a top view of the second embodiment; and,
FIG. 14 is a bottom view of the second embodiment.

1 Claim, 14 Drawing Sheets



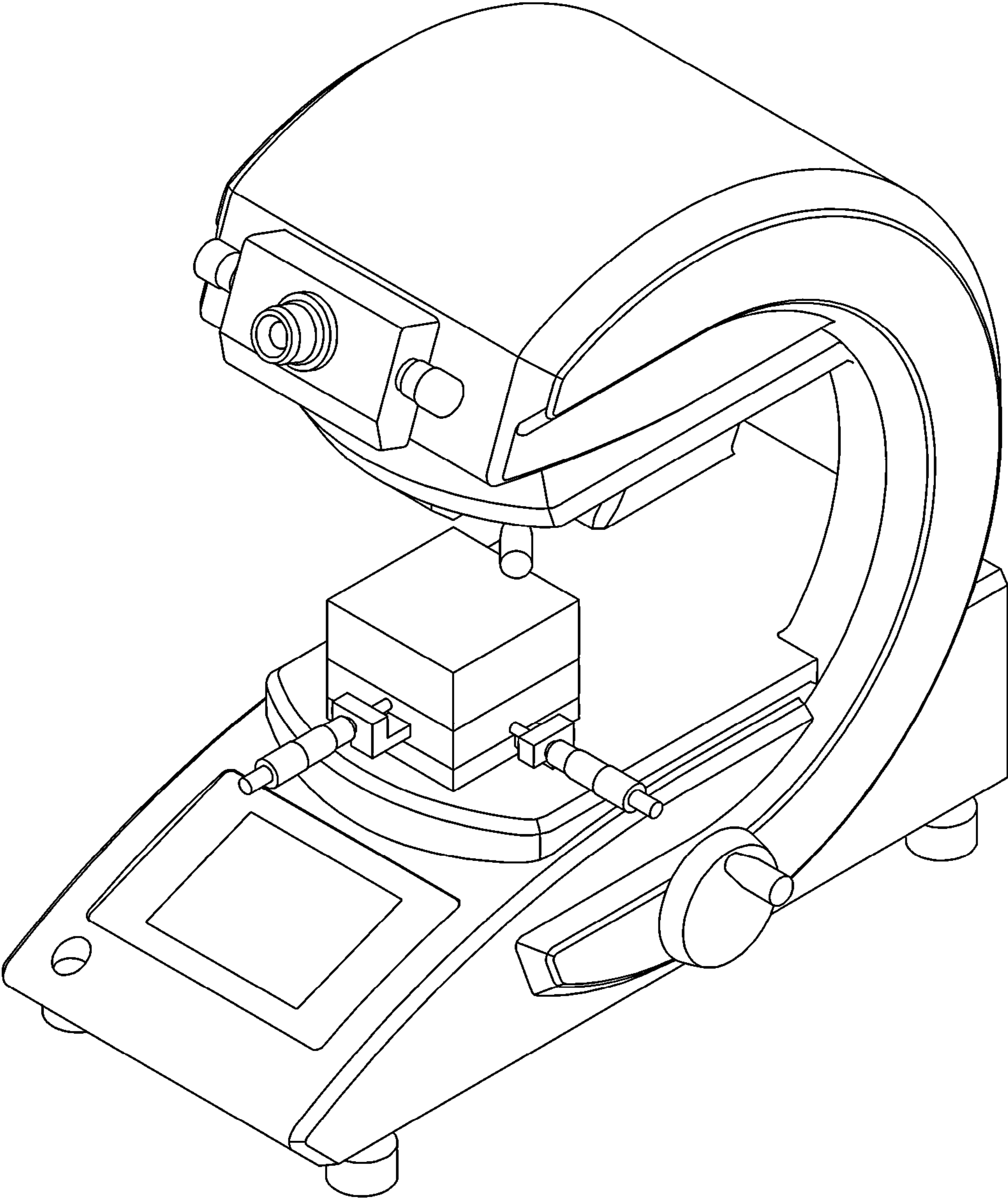


FIG. 1

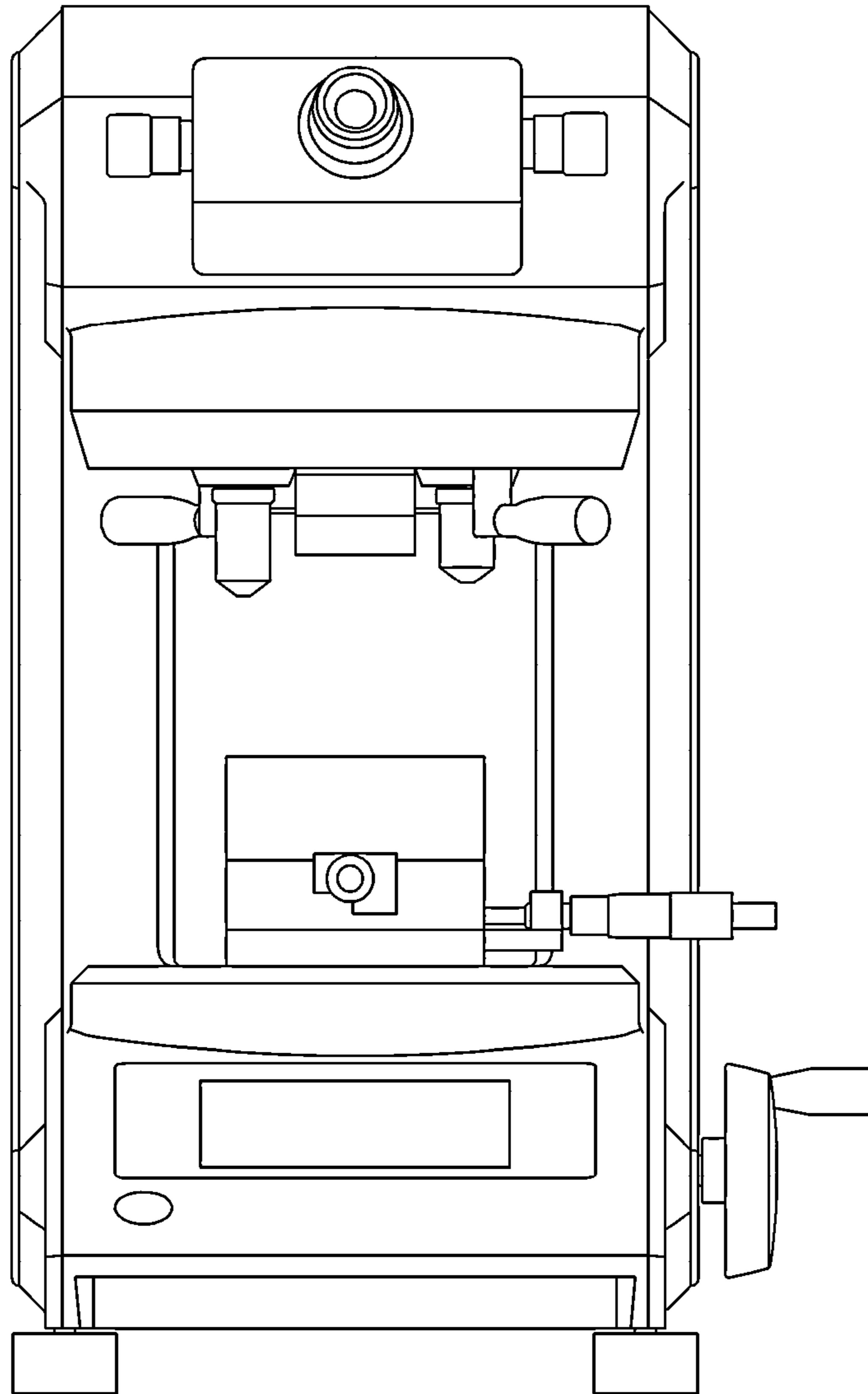


FIG. 2

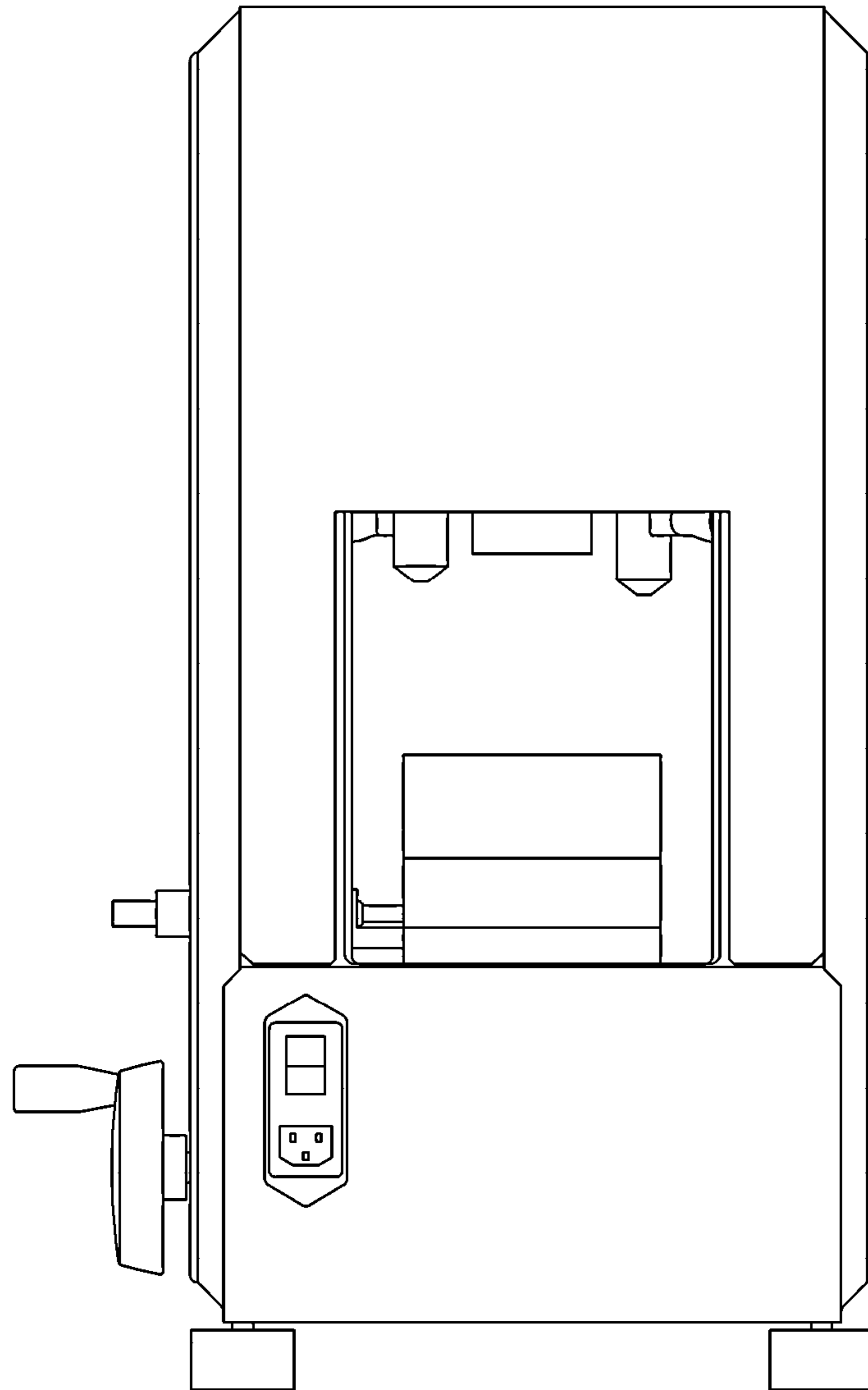


FIG. 3

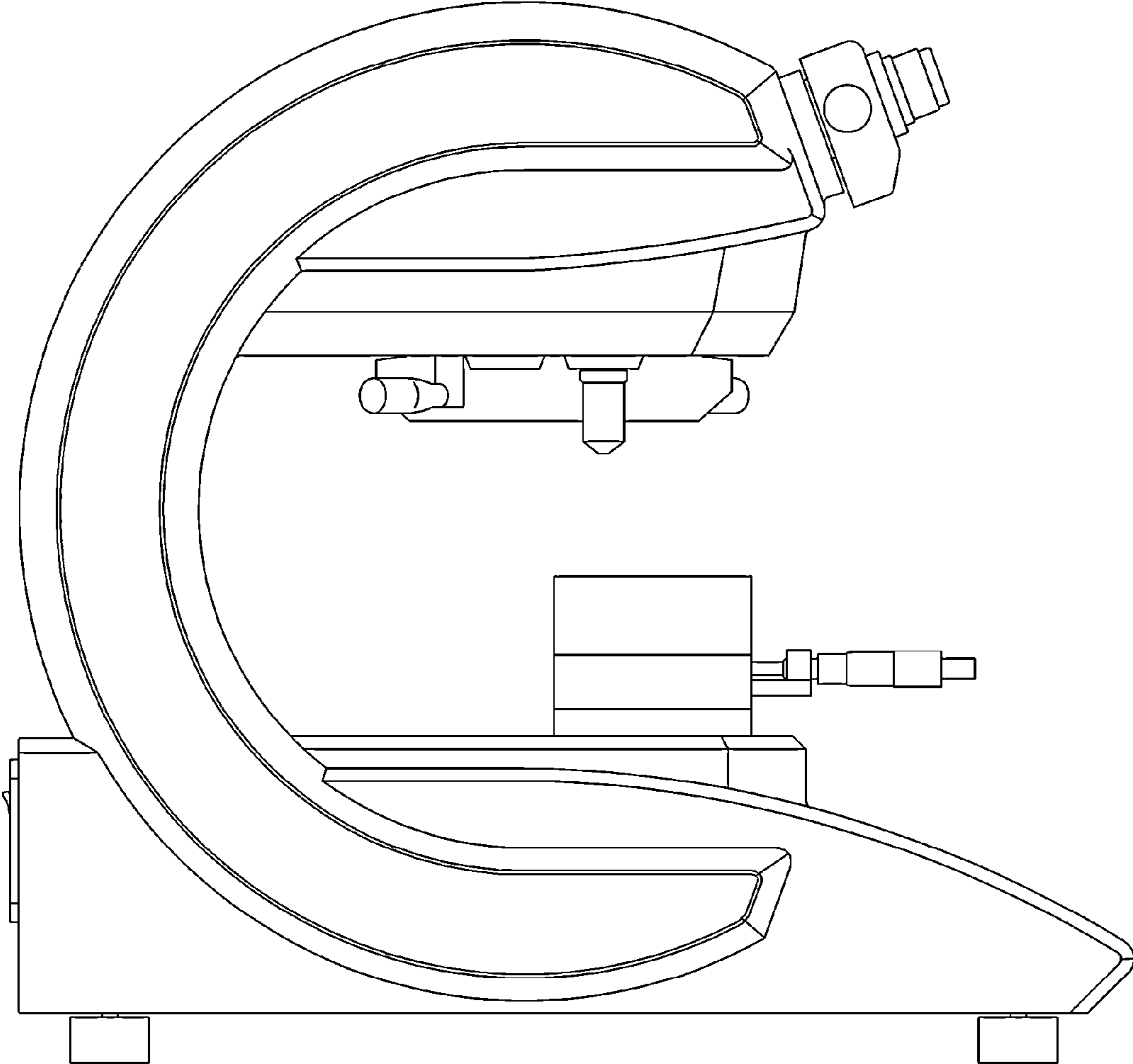


FIG. 4

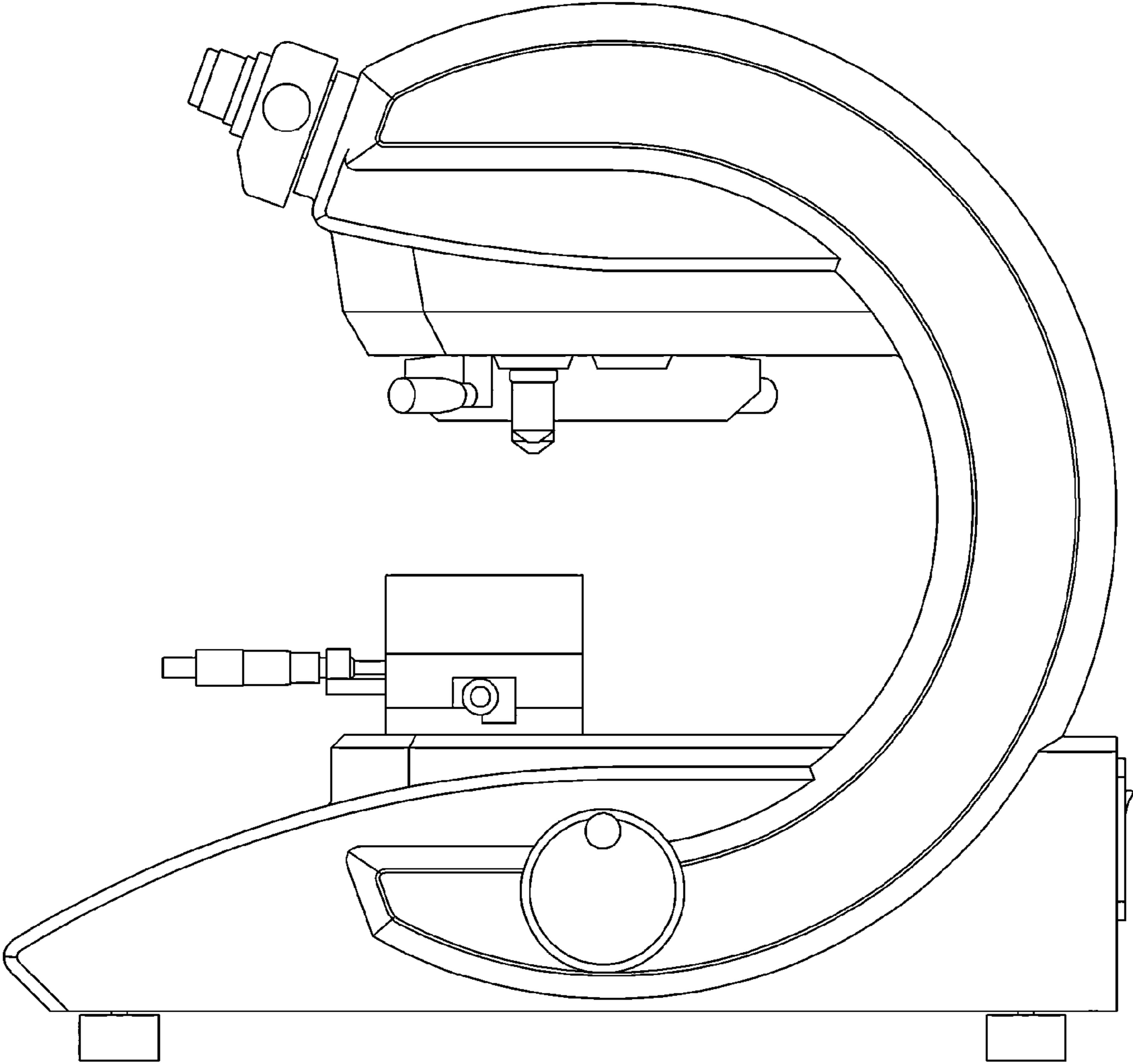


FIG. 5

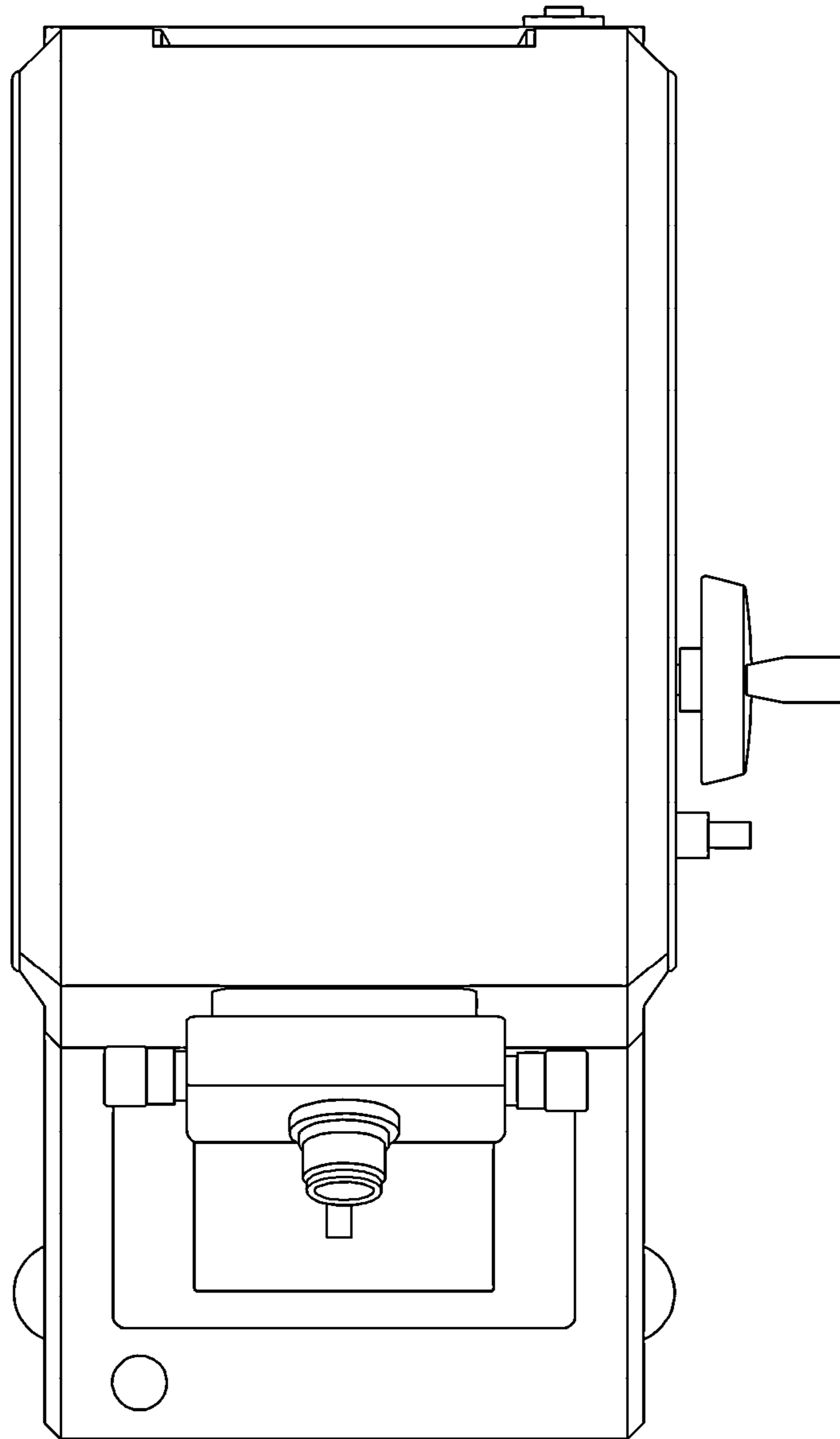


FIG. 6

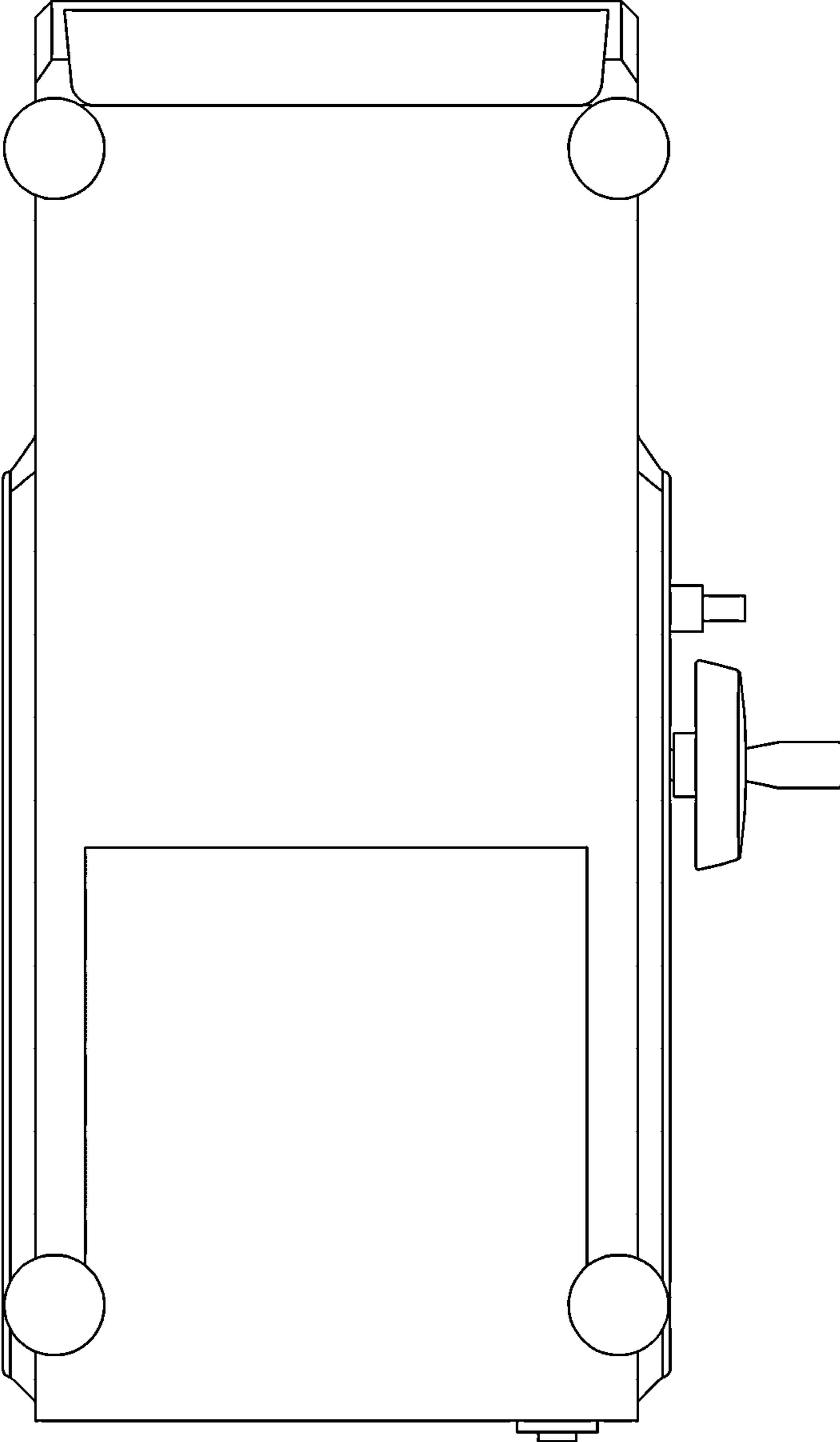


FIG. 7

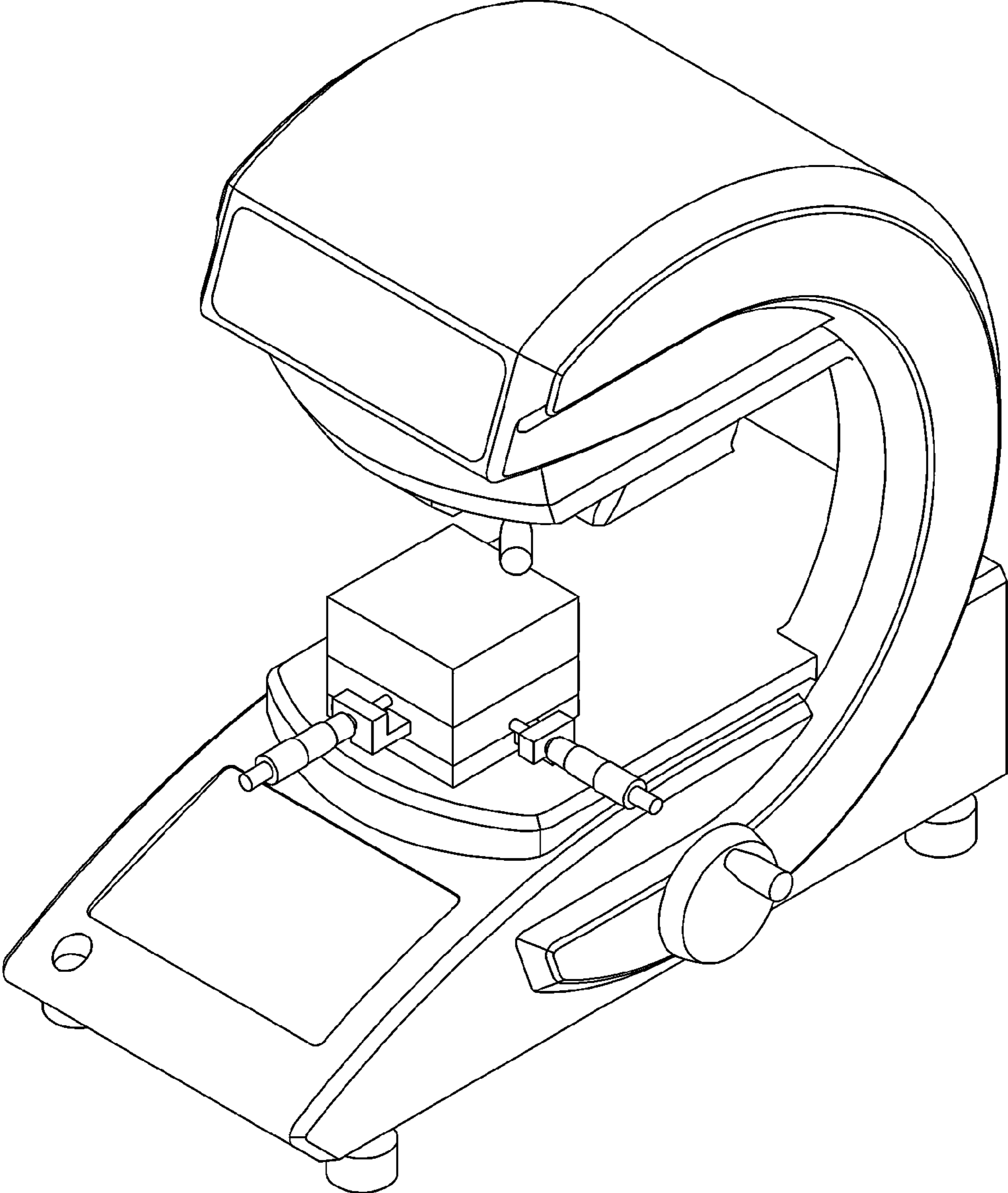


FIG. 8

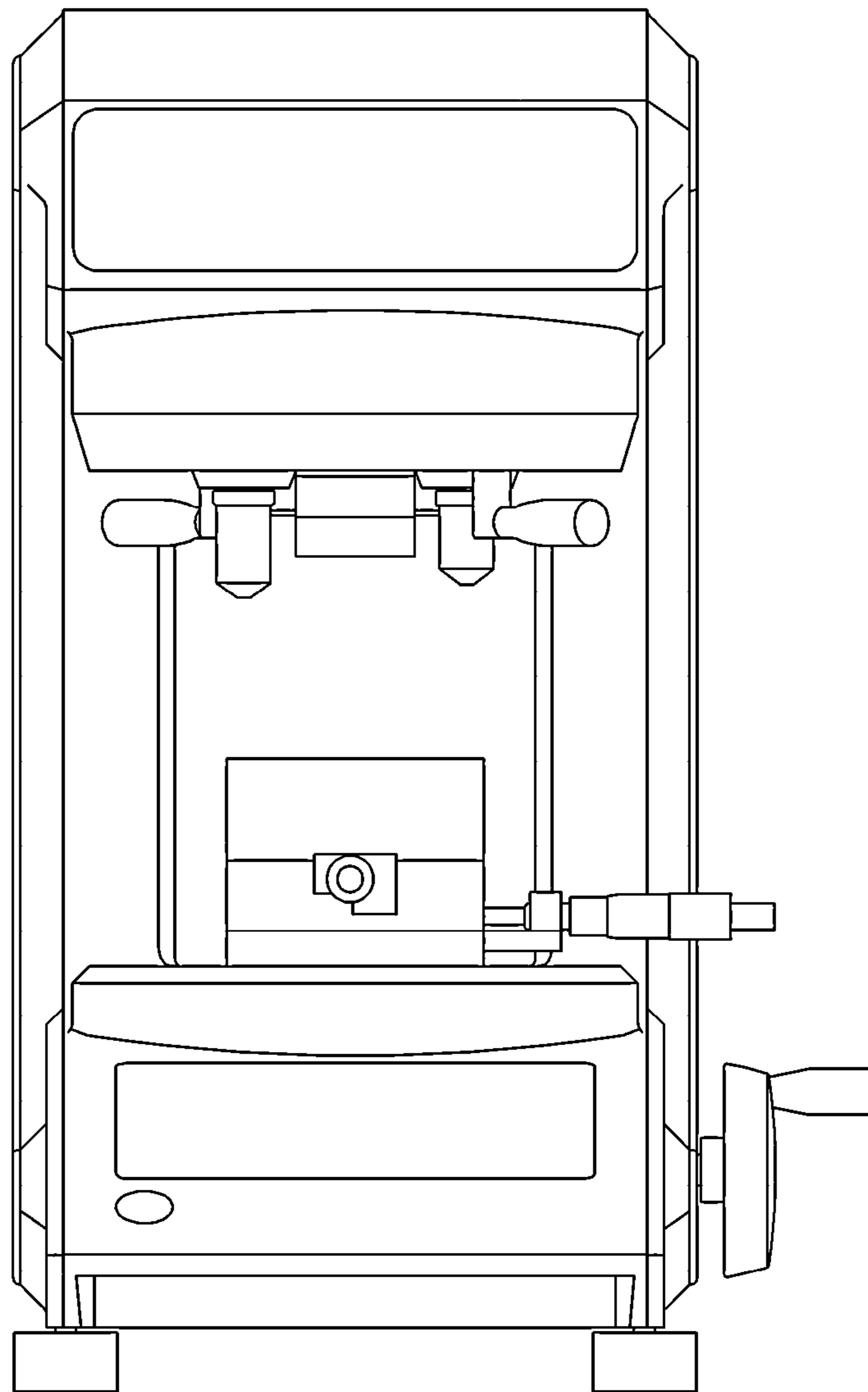


FIG. 9

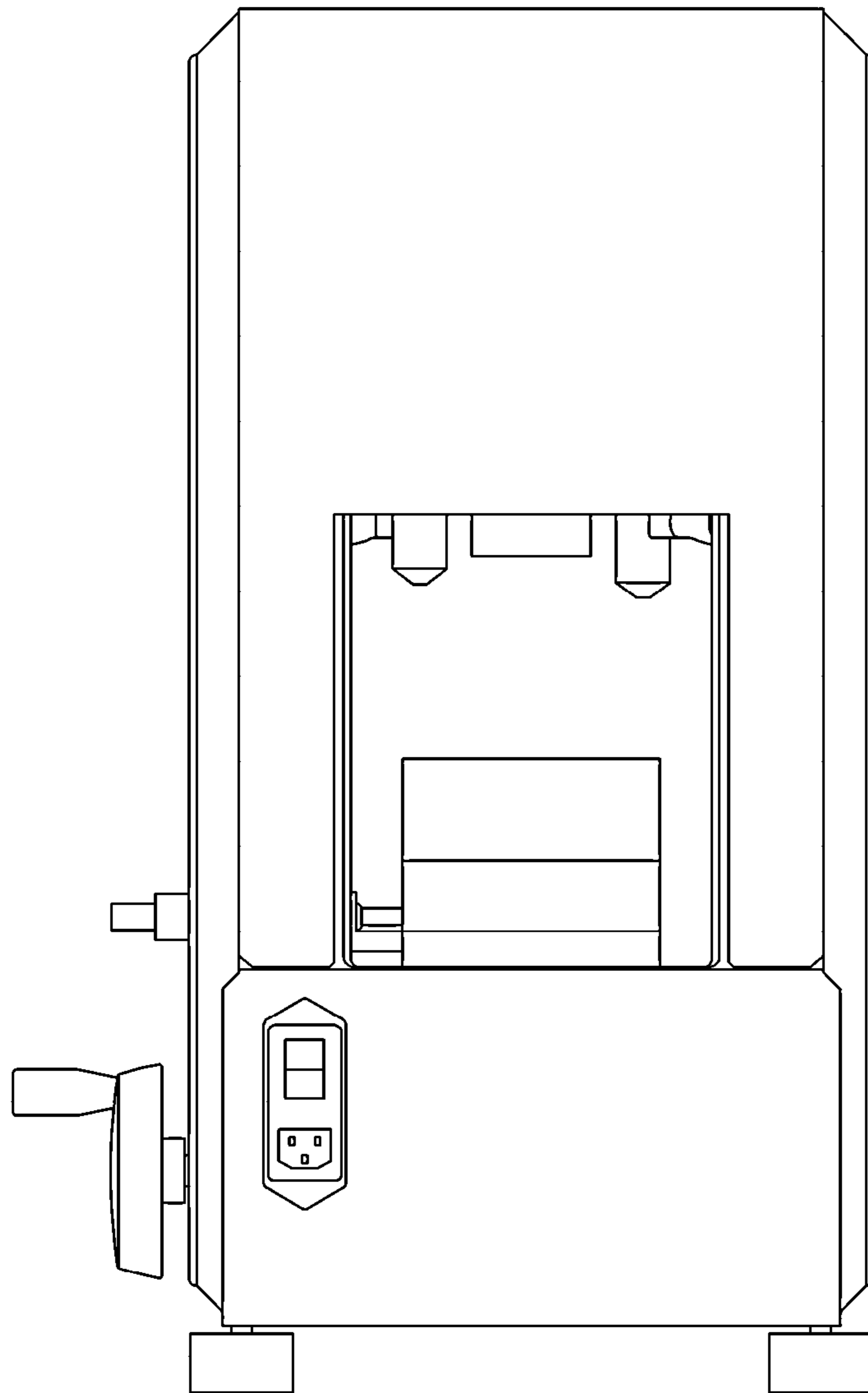


FIG. 10

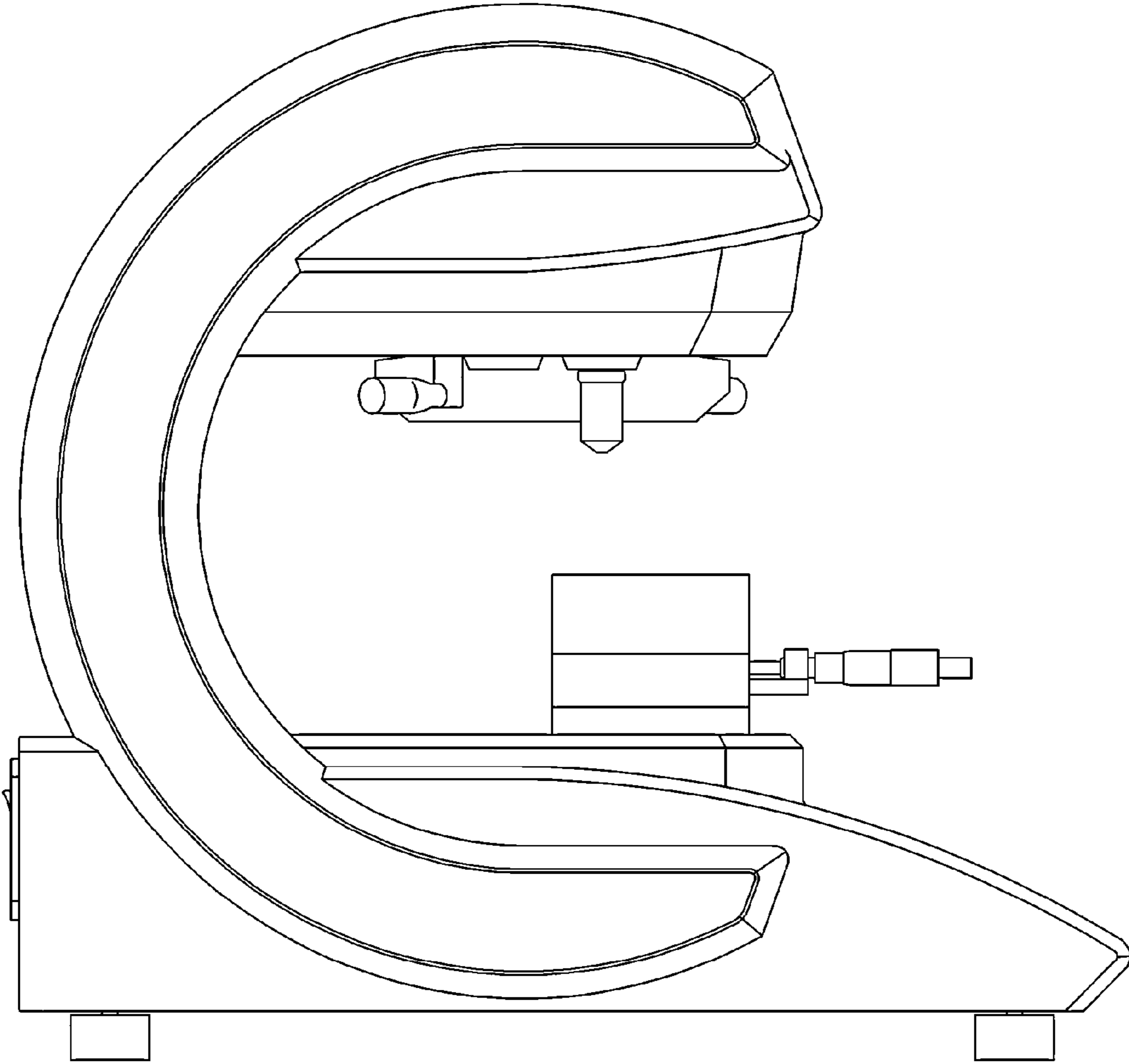


FIG. 11

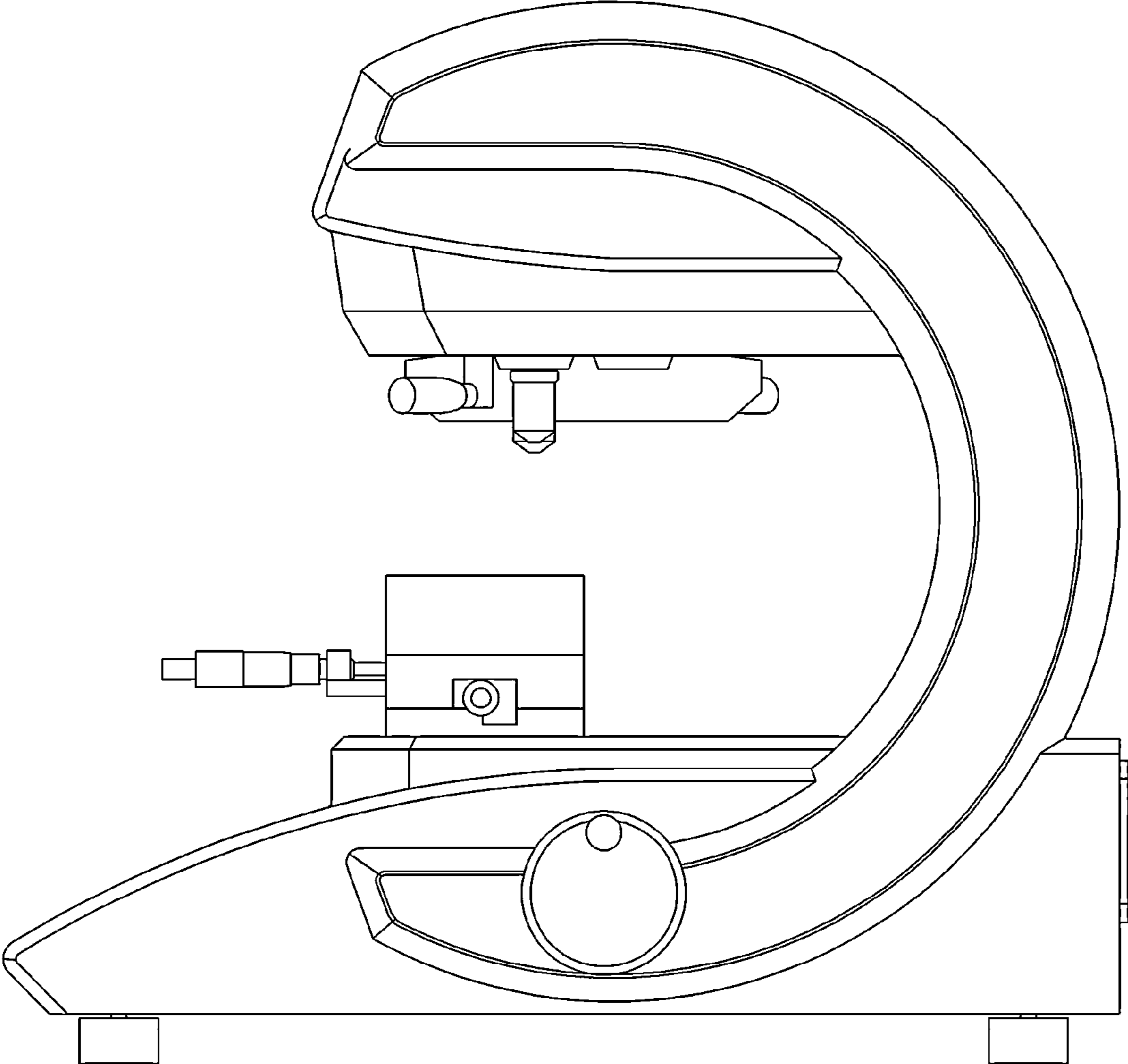


FIG. 12

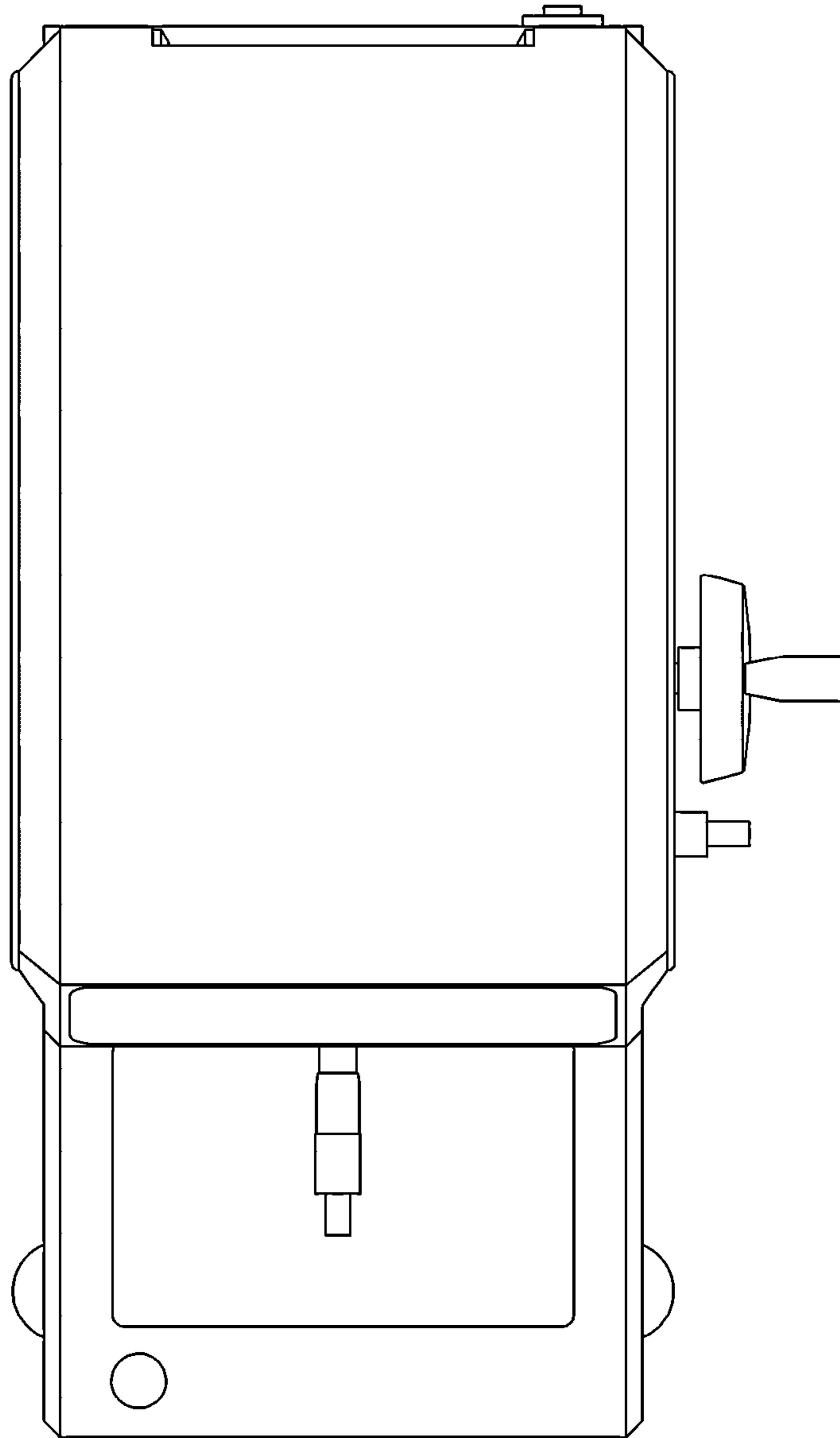


FIG. 13

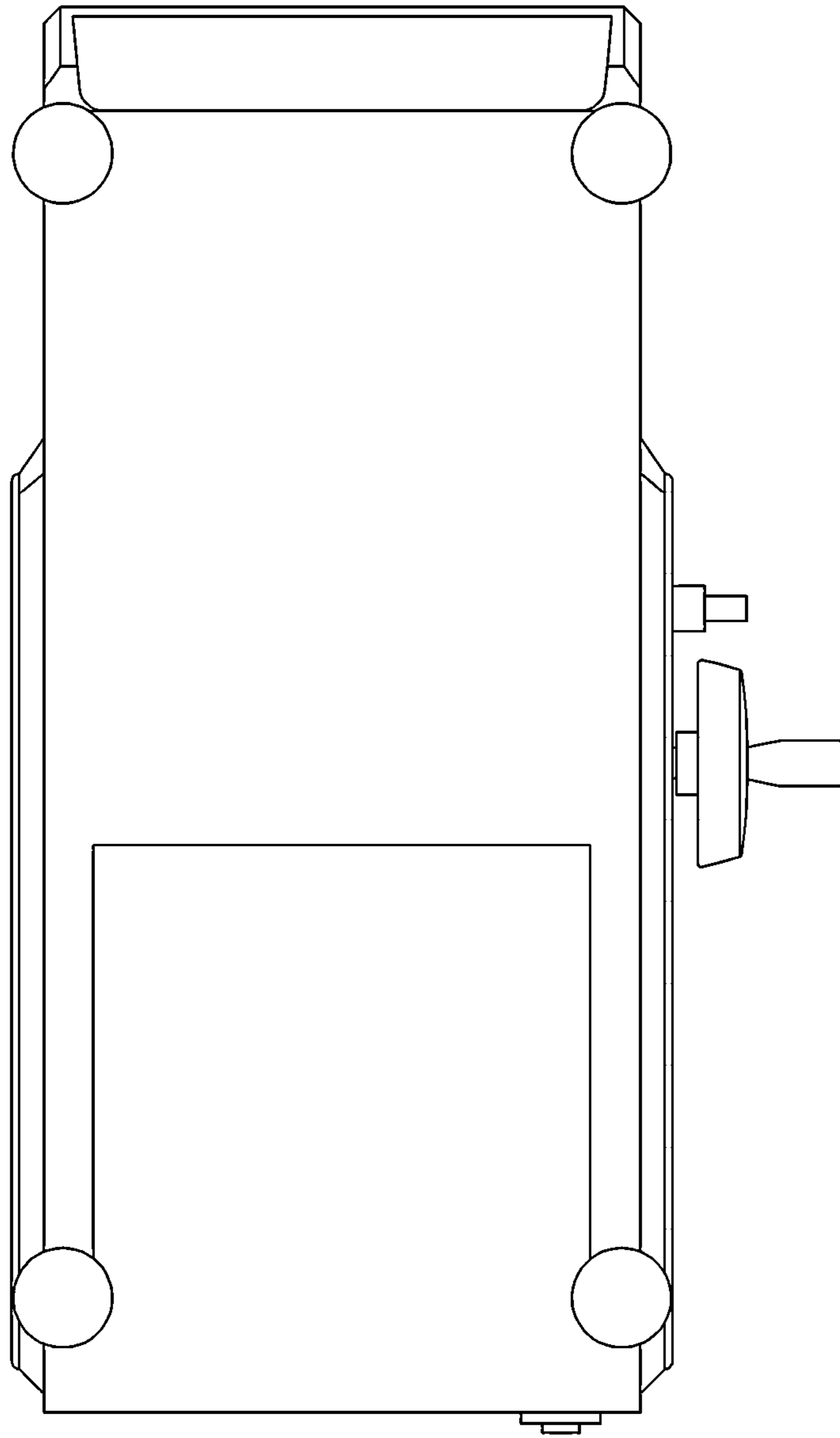


FIG. 14