



US00D704579S

(12) **United States Design Patent**
Heishi et al.

(10) **Patent No.:** **US D704,579 S**

(45) **Date of Patent:** **** May 13, 2014**

(54) **DIGITAL MULTI METER**

(71) Applicant: **Hioki E.E. Corporation**, Nagano (JP)

(72) Inventors: **Toshio Heishi**, Nagano (JP); **Seiji Onuma**, Nagano (JP)

(73) Assignee: **Hioki E.E. Corporation** (JP)

(**) Term: **14 Years**

(21) Appl. No.: **29/443,961**

(22) Filed: **Jan. 24, 2013**

(51) **LOC (10) Cl.** **10-04**

(52) **U.S. Cl.**
USPC **D10/78**

(58) **Field of Classification Search**

USPC D10/78; 324/66, 67, 158 P, 539-542,
324/72.5, 556, 133, 149, 503, 543, 555, 72,
324/754, 115, 141, 114, 145, 156, 508;
379/21, 60, 66, 96, 106.01-106.11;
340/635, 687, 654; 73/866.5

See application file for complete search history.

(56) **References Cited**

U.S. PATENT DOCUMENTS

D390,139 S * 2/1998 Tomiyama et al. D10/78
D446,137 S * 8/2001 Chang D10/78

D446,735 S * 8/2001 McCain D10/78
D472,828 S * 4/2003 Chang D10/78
D601,047 S * 9/2009 Chang D10/78
D625,633 S * 10/2010 Laurino et al. D10/78
D684,073 S * 6/2013 Elrod et al. D10/78
2011/0026193 A1 * 2/2011 Rasmussen et al. 361/627
2012/0103765 A1 * 5/2012 Worones et al. 200/11 DA
2013/0156438 A1 * 6/2013 Hudson et al. 398/116
2013/0214764 A1 * 8/2013 Marzynski et al. 324/114

* cited by examiner

Primary Examiner — Antoine D Davis

(74) *Attorney, Agent, or Firm* — Cantor Colburn LLP

(57) **CLAIM**

The ornamental design for a digital multi meter, as shown and described.

DESCRIPTION

FIG. 1 is an elevated front perspective view of a digital multi meter;

FIG. 2 is a an elevated rear perspective view of the digital multi meter;

FIG. 3 is a front planar view of the digital multi meter;

FIG. 4 is a rear planar view of the digital multi meter;

FIG. 5 is a left side planar view of the digital multi meter;

FIG. 6 is a right side planar view of the digital multi meter;

FIG. 7 is a top planar view of the digital multi meter;

FIG. 8 is a bottom planar view of the digital multi meter; and,

FIG. 9 is a front planar view of the digital multi meter.

1 Claim, 4 Drawing Sheets

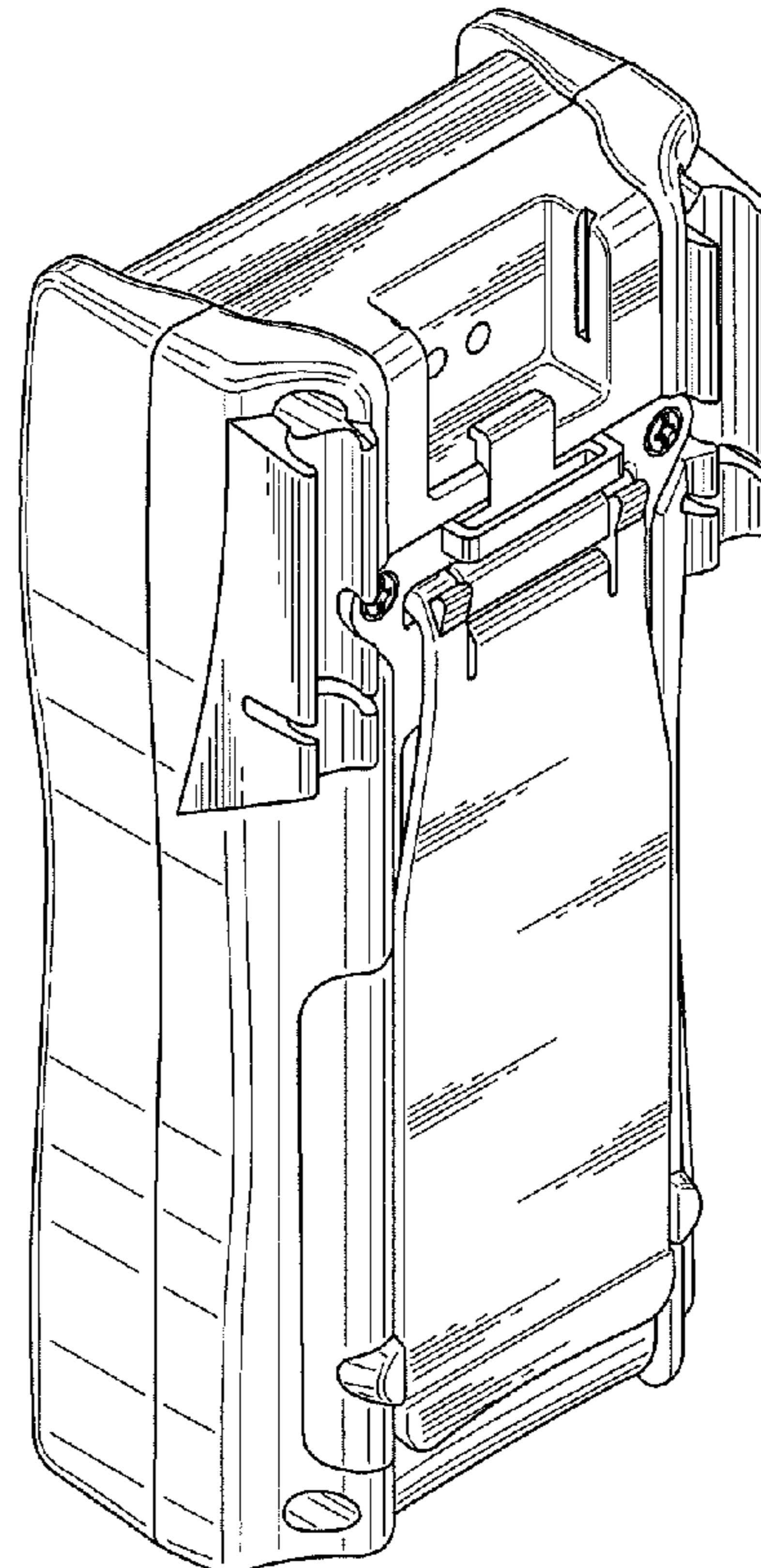
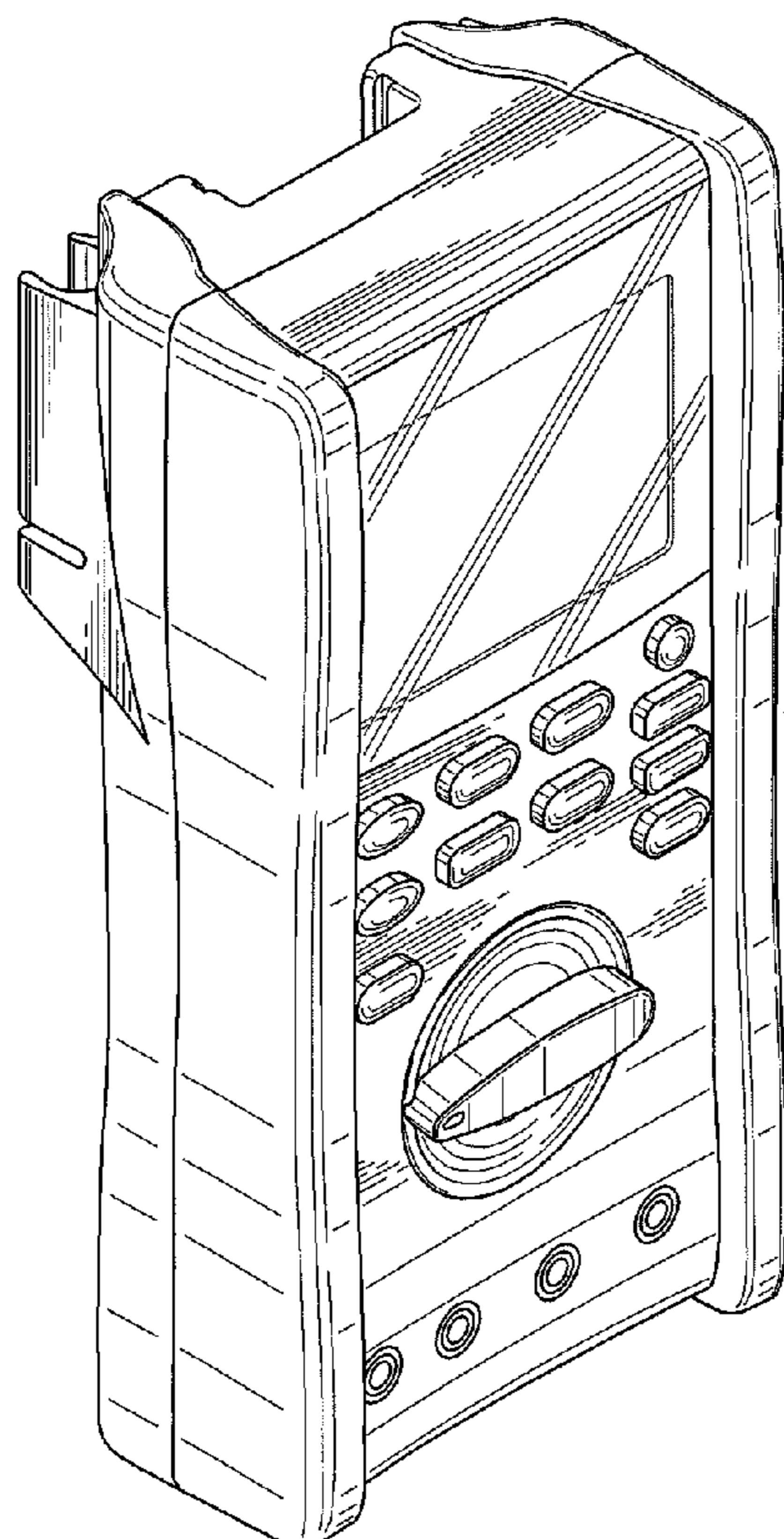


FIG. 1

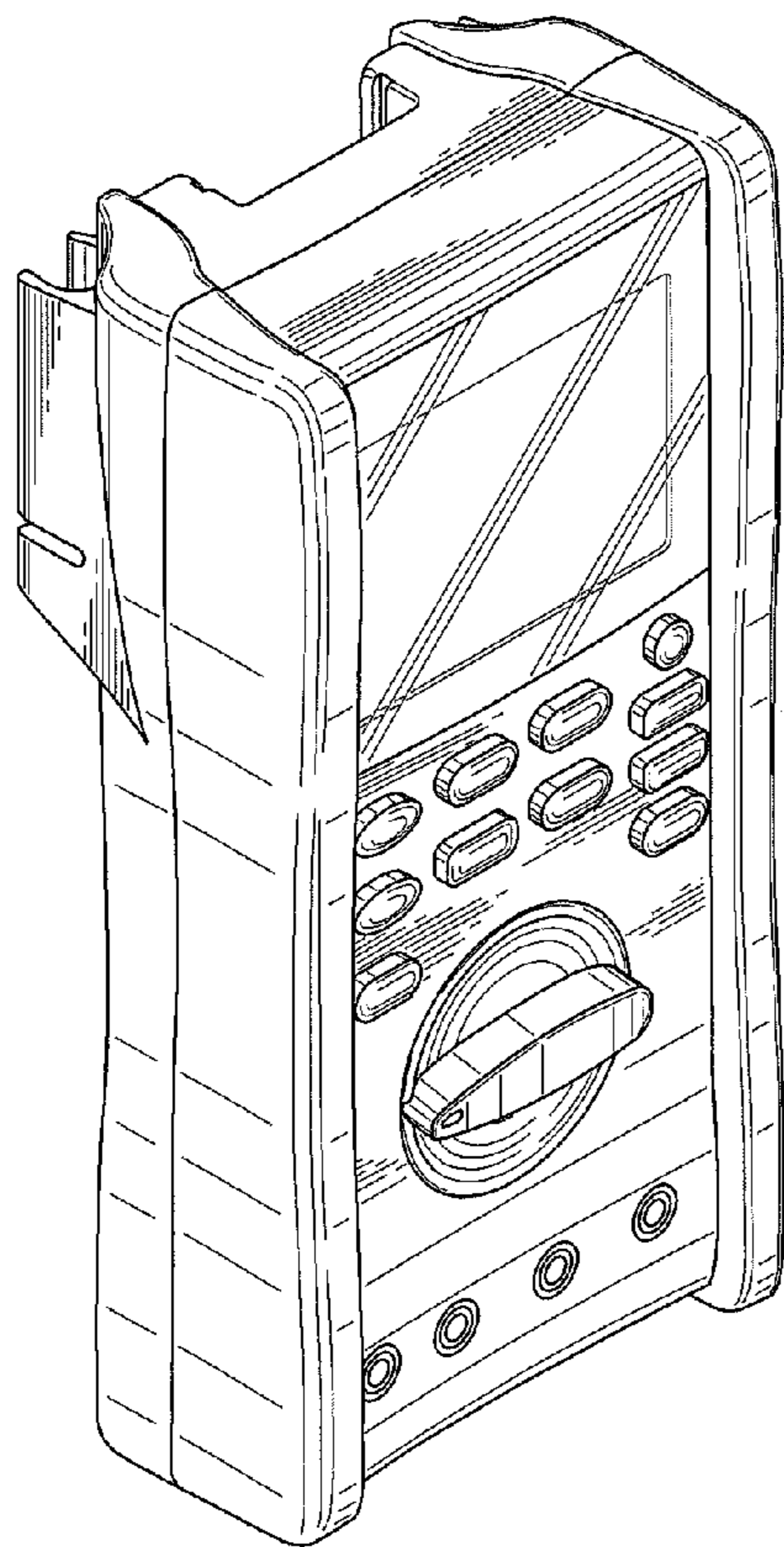


FIG. 2

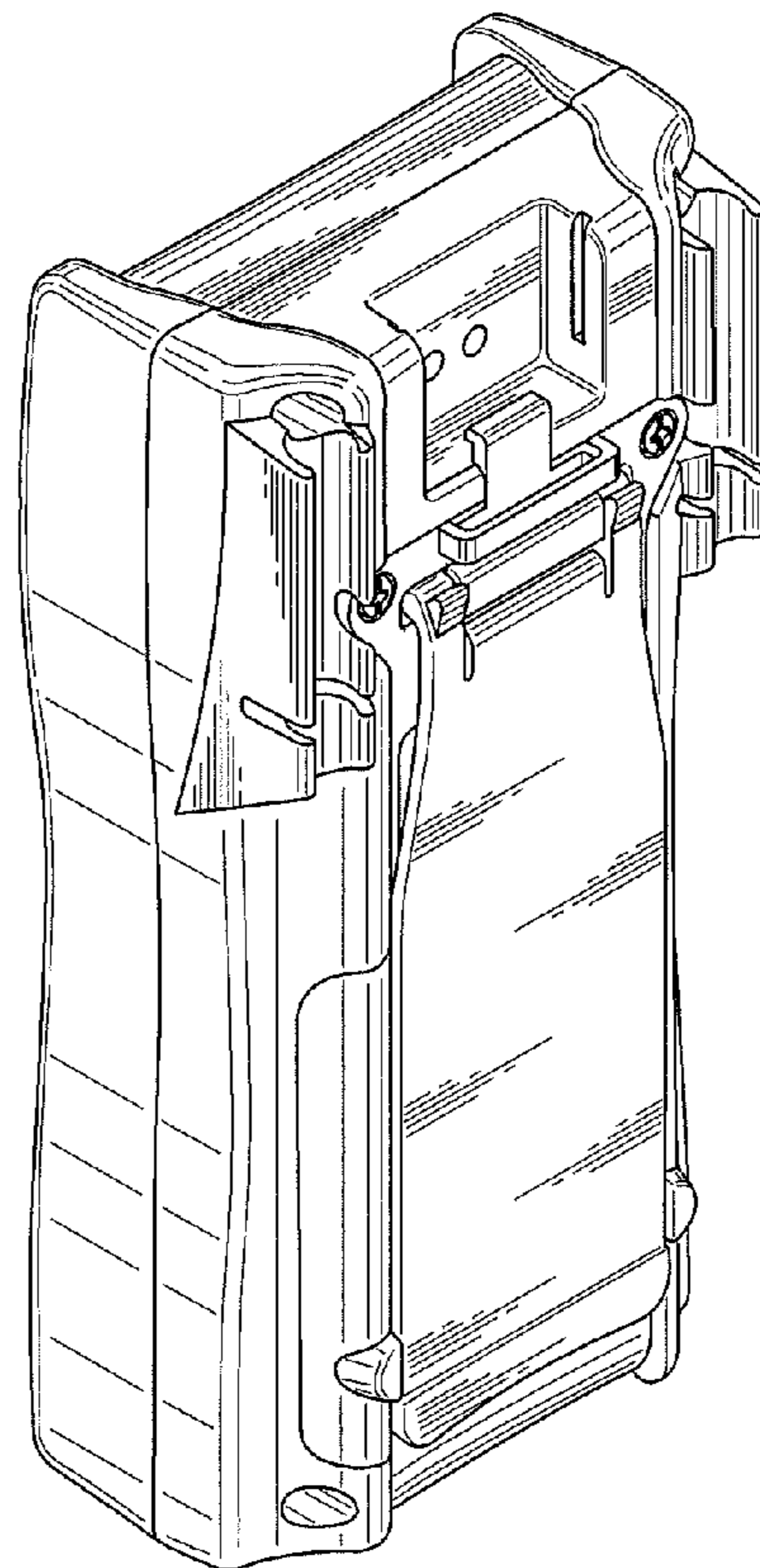


FIG. 3

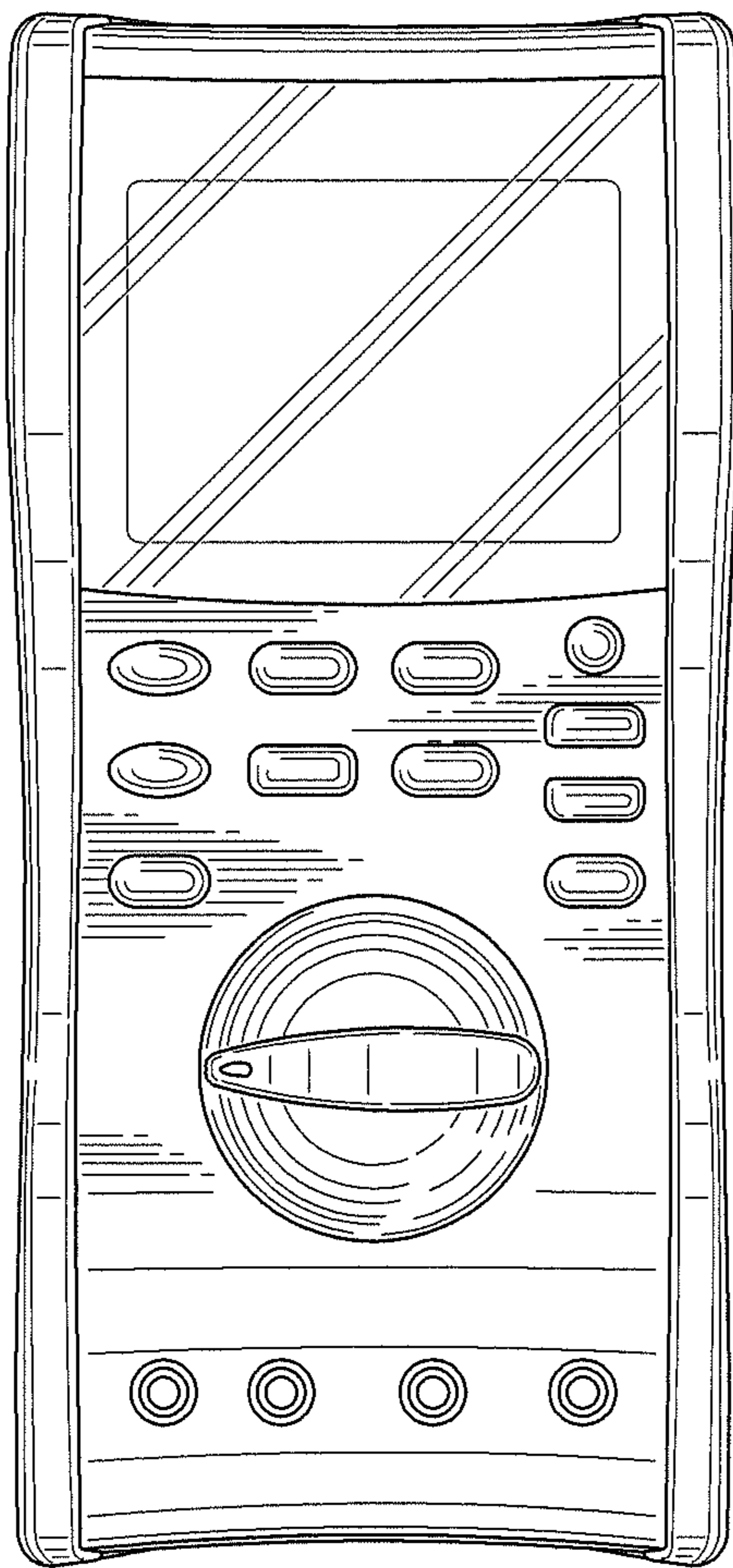


FIG. 4

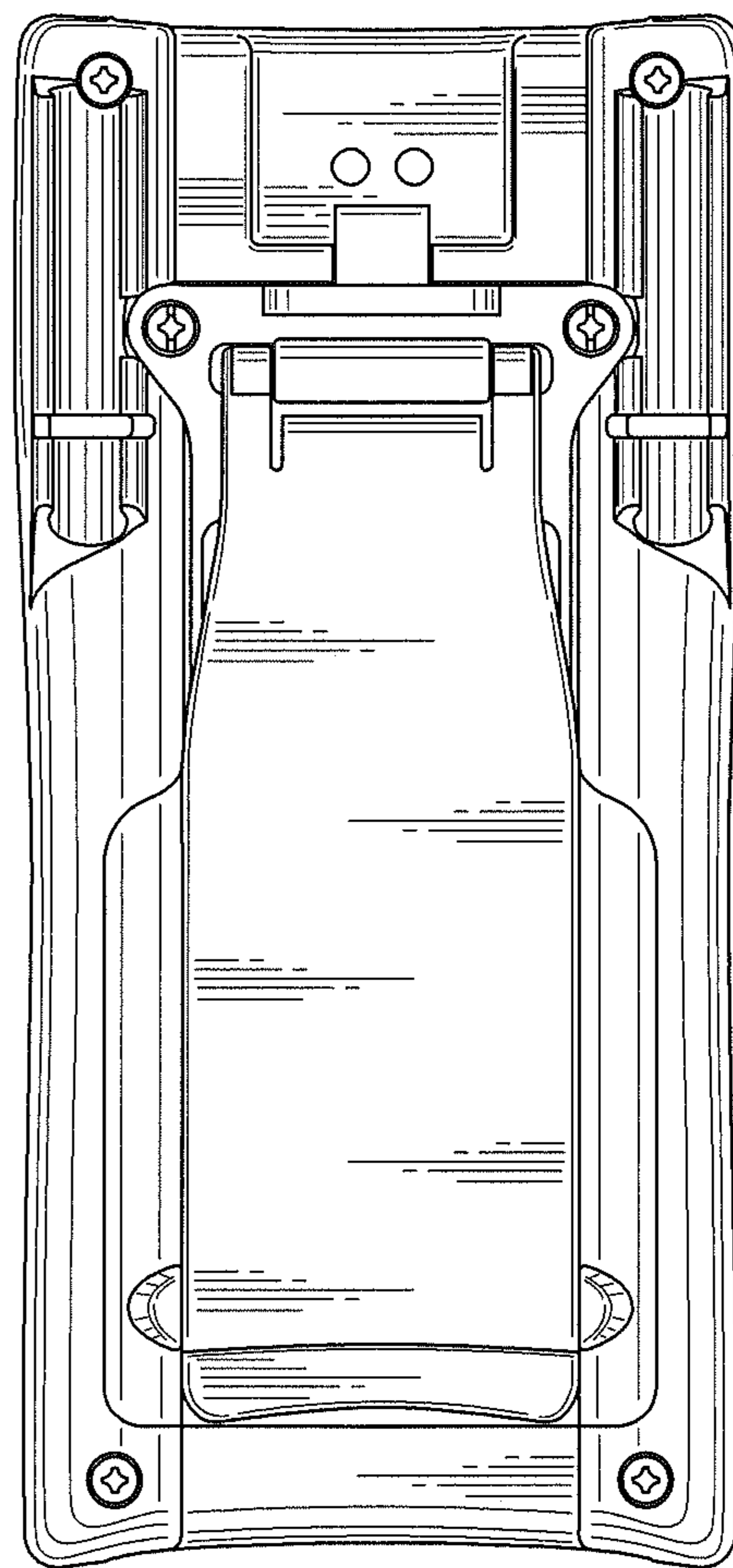


FIG. 5

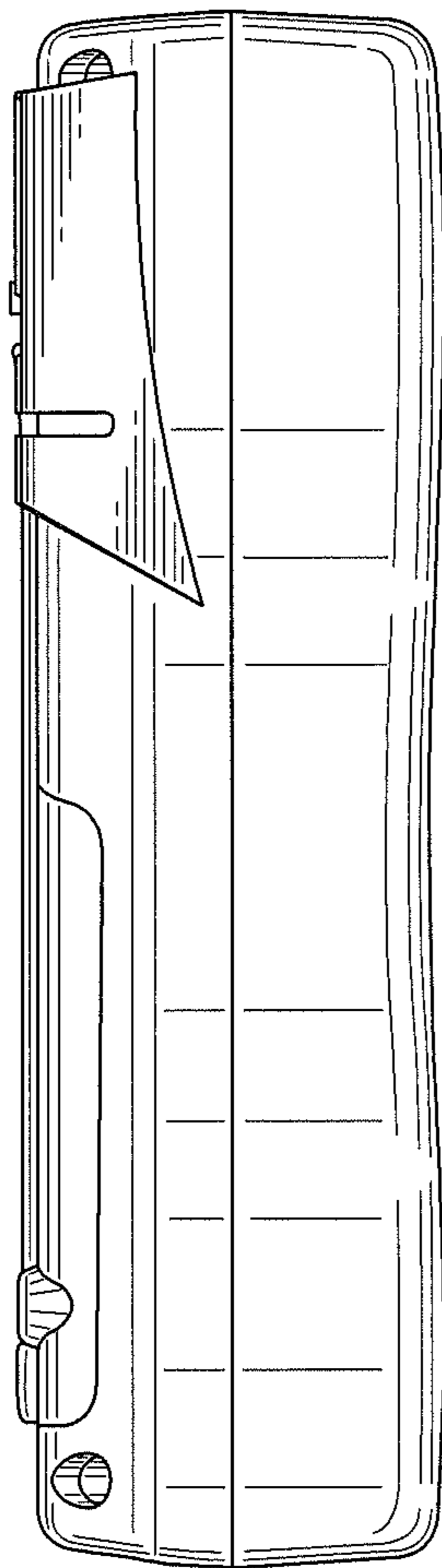


FIG. 6

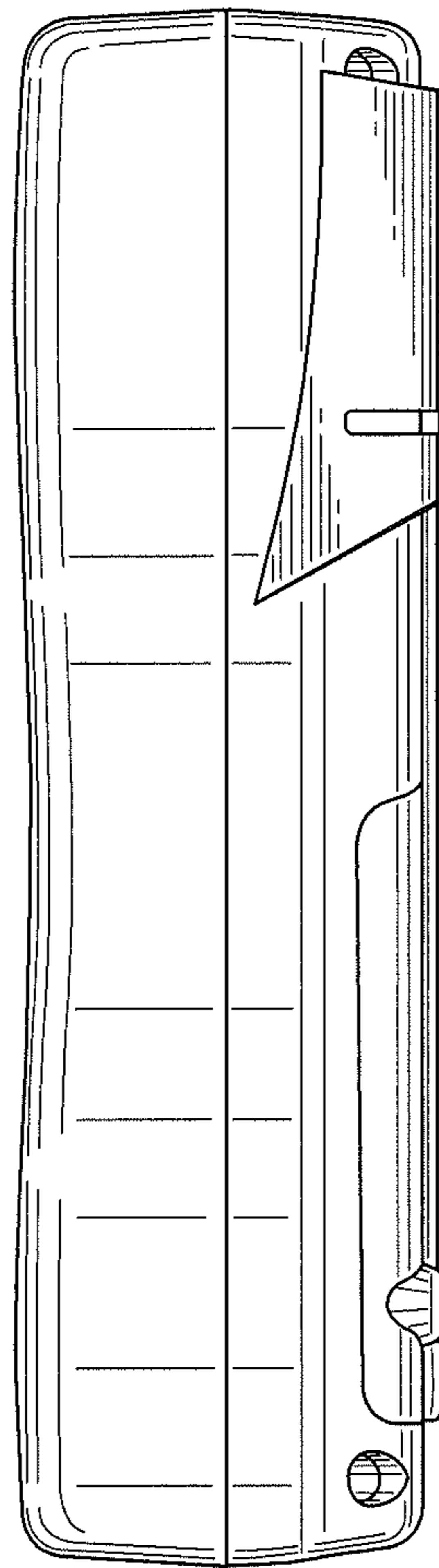


FIG. 7

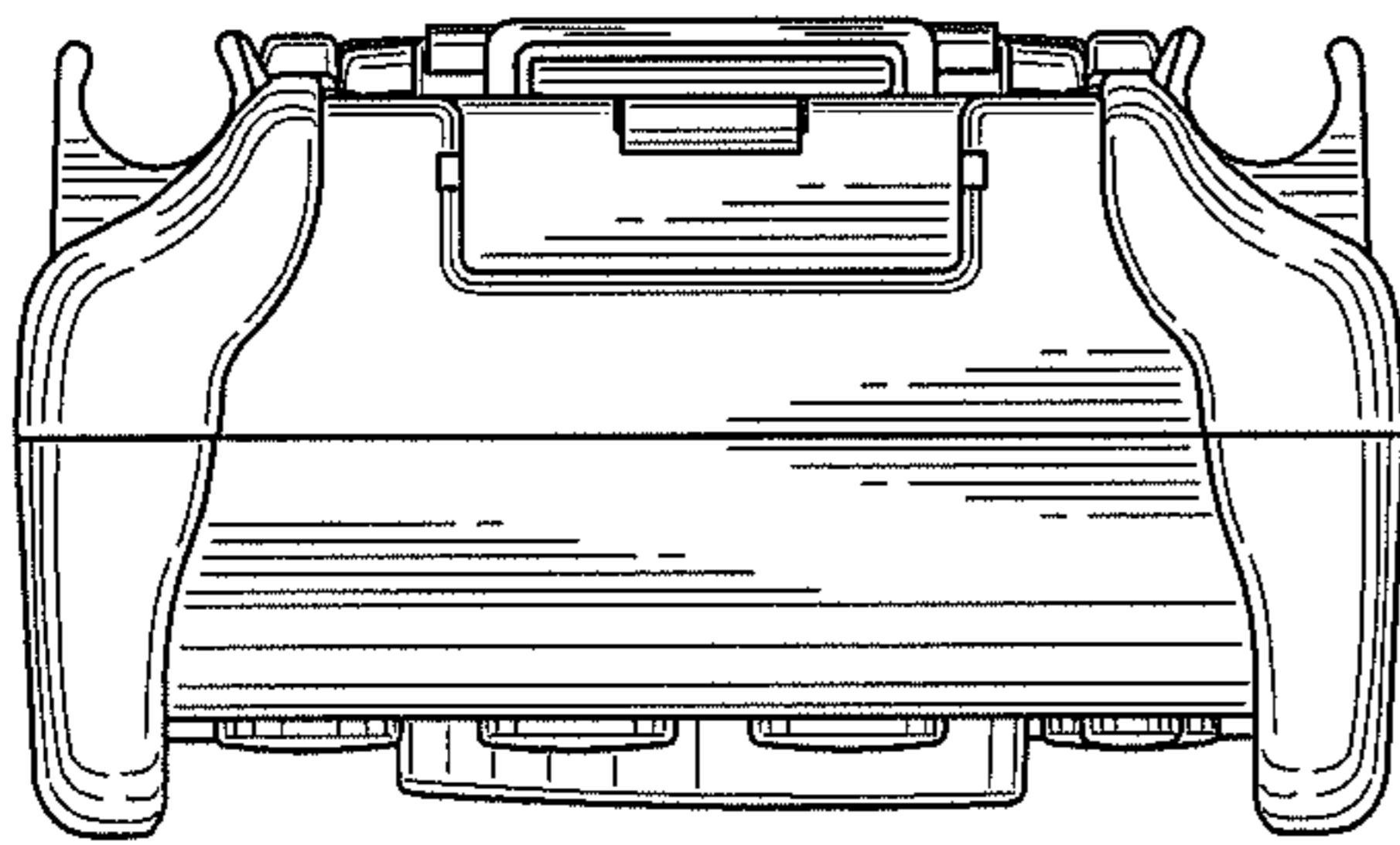


FIG. 8

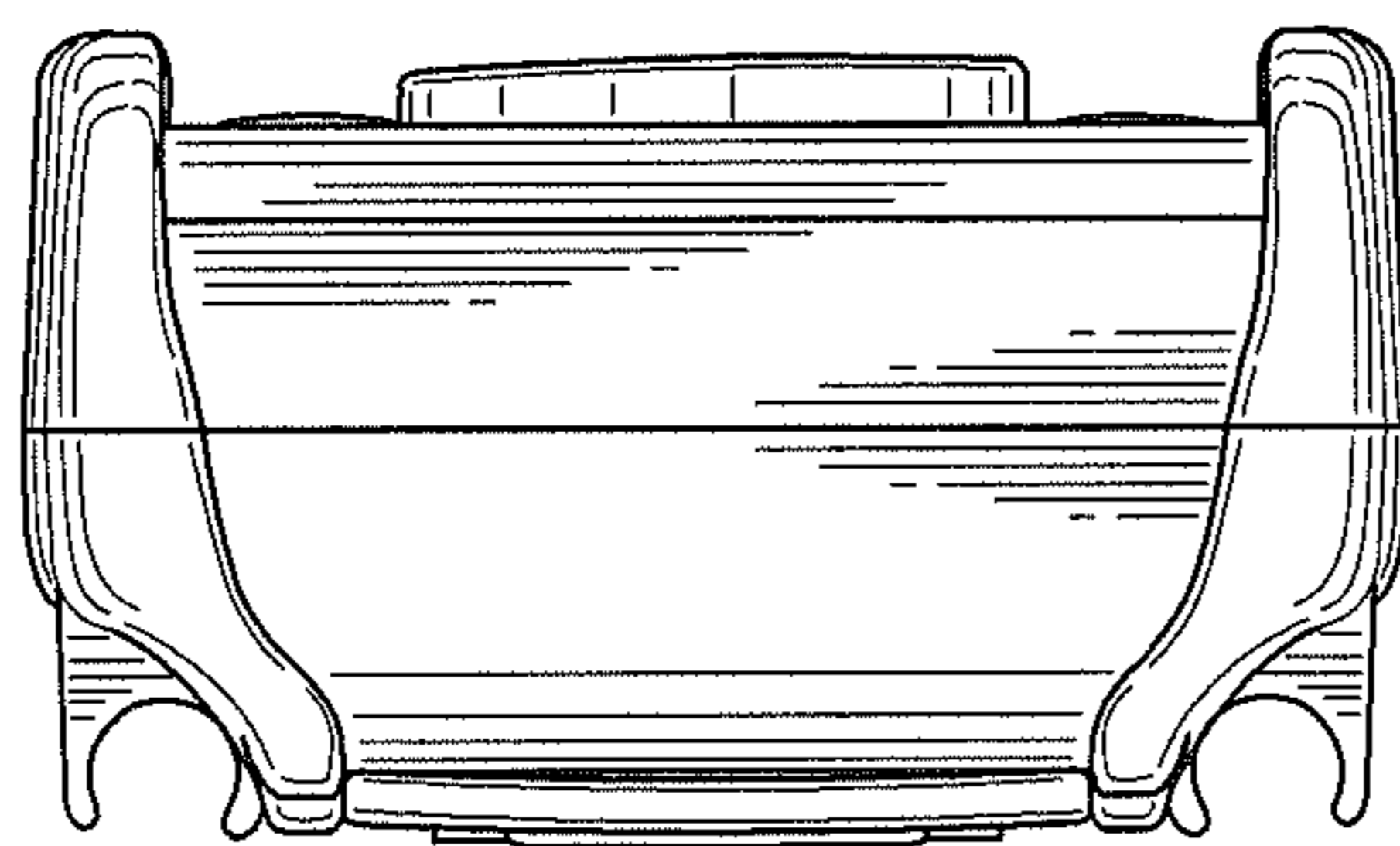


FIG. 9

