



US00D704577S

(12) **United States Design Patent**  
**Levinson**

(10) **Patent No.:** **US D704,577 S**

(45) **Date of Patent:** **\*\* May 13, 2014**

- (54) **TORPEDO SPIRIT LEVEL**
- (71) Applicant: **Kapro Industries Ltd.**, Beit Hakerem (IL)
- (72) Inventor: **Amy Levinson**, Upper Galilee (IL)
- (73) Assignee: **Kapro Industries Ltd.**, Kadarim (IL)
- (\*\*) Term: **14 Years**
- (21) Appl. No.: **29/440,364**
- (22) Filed: **Dec. 20, 2012**
- (51) **LOC (10) Cl.** ..... **10-04**
- (52) **U.S. Cl.**  
USPC ..... **D10/69**
- (58) **Field of Classification Search**  
USPC ..... D10/69; 33/365, 366.11-366.27,  
33/367-391  
See application file for complete search history.

- D521,882 S 5/2006 Kim
- 7,152,335 B2 12/2006 Nichols
- D582,302 S 12/2008 Johnson et al.
- D597,872 S 8/2009 Gofer
- D597,873 S 8/2009 Gofer
- D625,630 S 10/2010 Levinson
- D644,946 S \* 9/2011 Silberberg ..... D10/69
- D694,659 S \* 12/2013 Yong et al. .... D10/69

**FOREIGN PATENT DOCUMENTS**

- GB 2210167 A 6/1989
- GB 2259570 A 3/2012

\* cited by examiner

*Primary Examiner* — Antoine D Davis  
(74) *Attorney, Agent, or Firm* — Novick, Kim & Lee, PLLC; Harold L. Novick

(57) **CLAIM**

The ornamental design for a torpedo spirit level, substantially as shown and described.

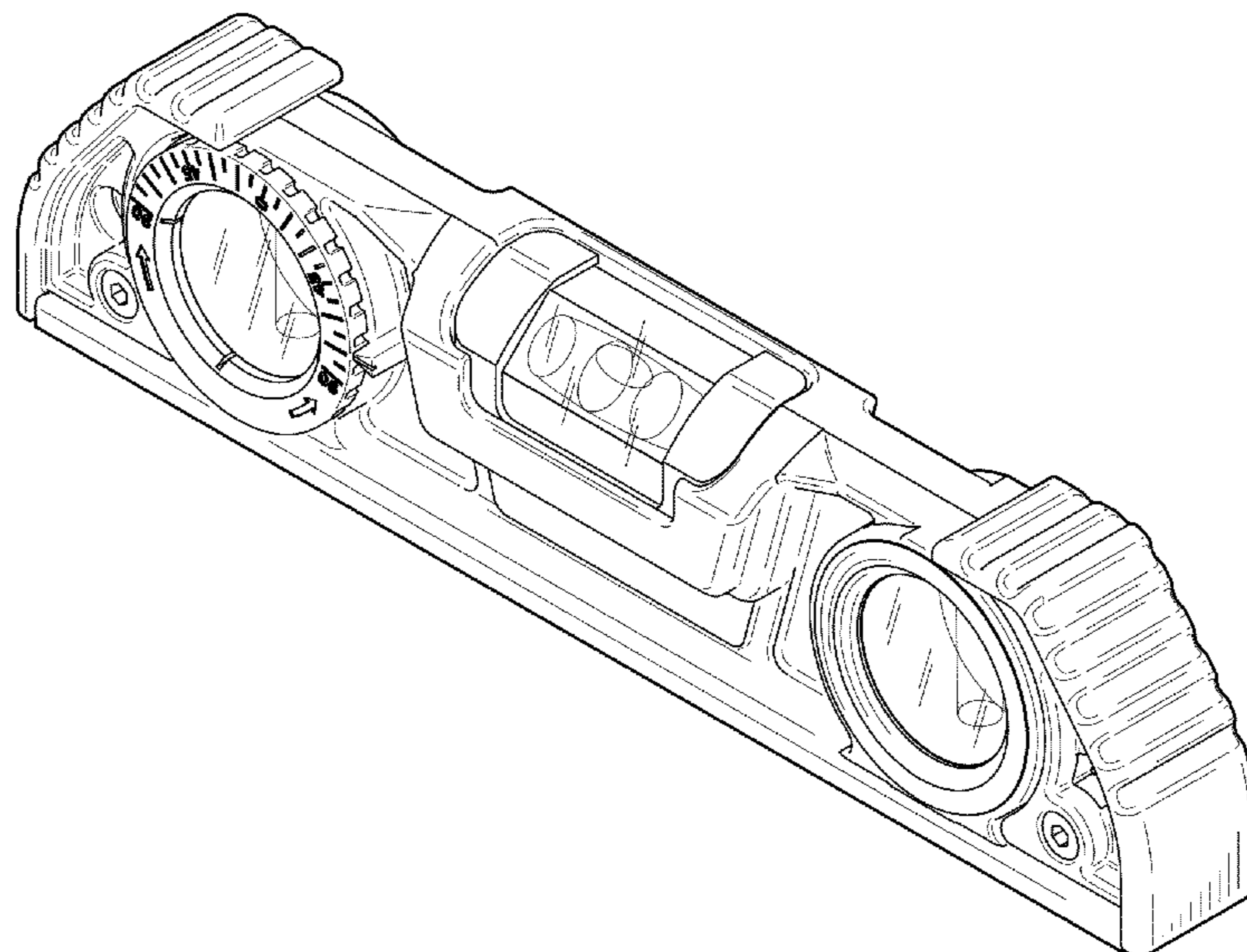
**DESCRIPTION**

FIG. 1 is a front perspective view of a torpedo spirit level; FIG. 2 is a front elevation view of the torpedo spirit level of FIG. 1; FIG. 3 is a rear elevation view of the torpedo spirit level of FIG. 1; FIG. 4 is a top plan view of the torpedo spirit level of FIG. 1; FIG. 5 is a bottom plan view of the torpedo spirit level of FIG. 1; FIG. 6 is a left elevation view of the torpedo spirit level of FIG. 1; and, FIG. 7 is a right elevation view of the torpedo spirit level of FIG. 1.

**1 Claim, 5 Drawing Sheets**

(56) **References Cited**  
**U.S. PATENT DOCUMENTS**

- 3,225,451 A 12/1965 Olexon et al.
- 3,878,617 A 4/1975 West et al.
- 4,068,386 A 1/1978 Streeter
- 4,109,392 A 8/1978 Streeter
- D332,226 S 1/1993 Hutchins et al.
- D415,436 S 10/1999 Martone
- 6,243,957 B1 6/2001 Gruetzmacher, Jr. et al.
- D469,370 S 1/2003 Gruetzmacher et al.
- D472,168 S 3/2003 Levinson
- 6,568,095 B2 5/2003 Snyder
- D498,686 S \* 11/2004 Levinson et al. .... D10/69
- D503,635 S 4/2005 Kallabis
- D513,198 S 12/2005 Levinson



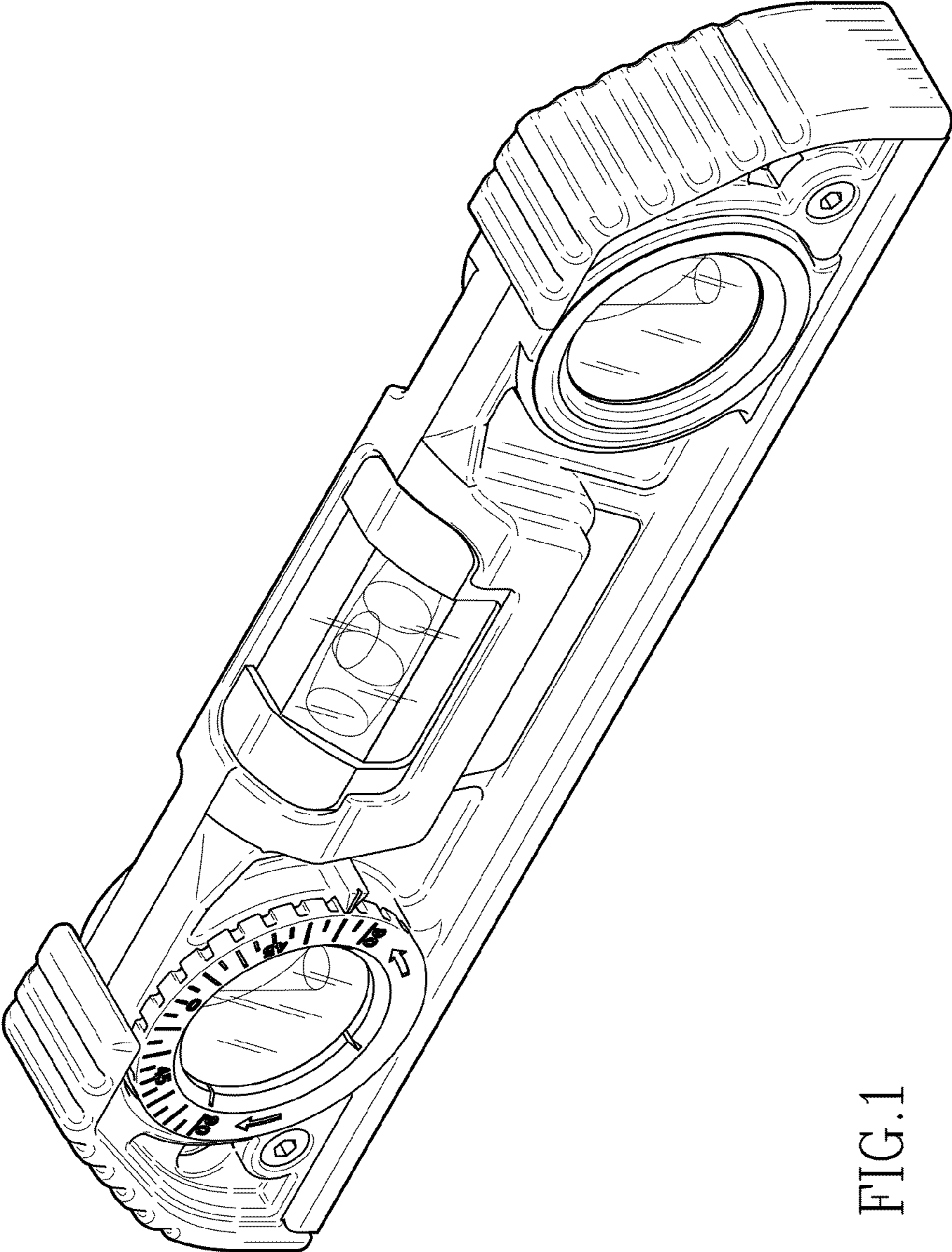


FIG.1

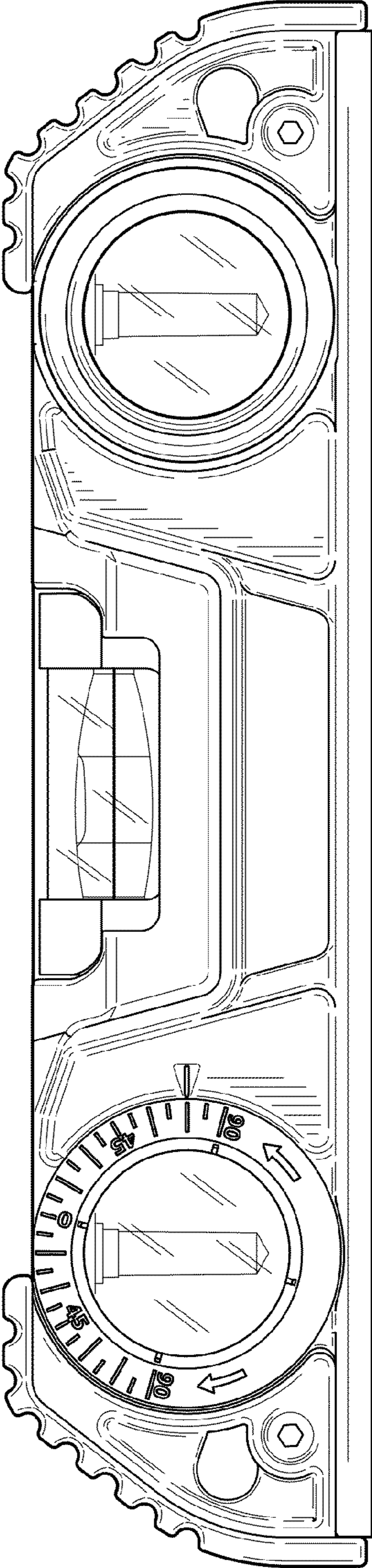


FIG.2

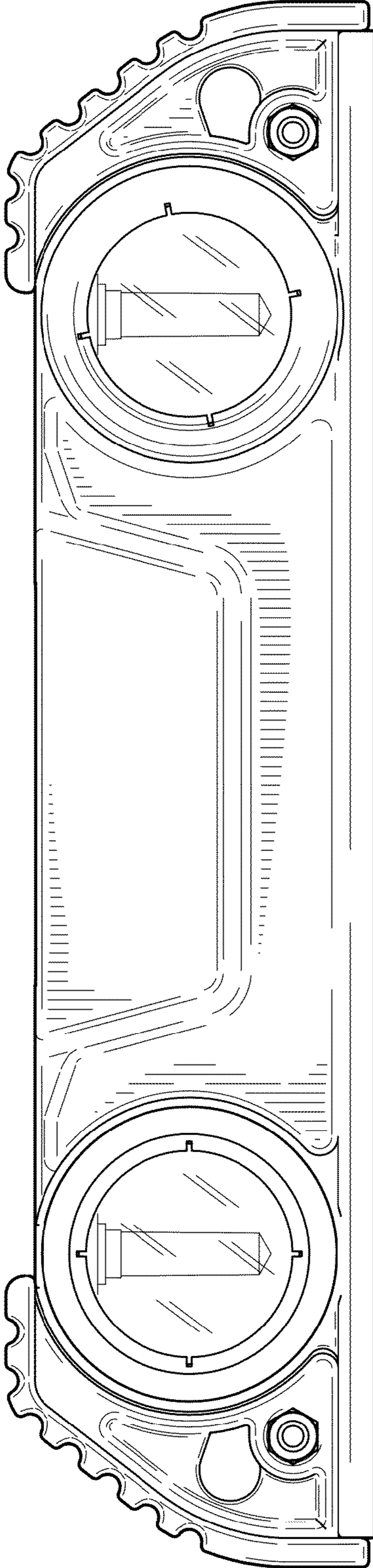


FIG. 3

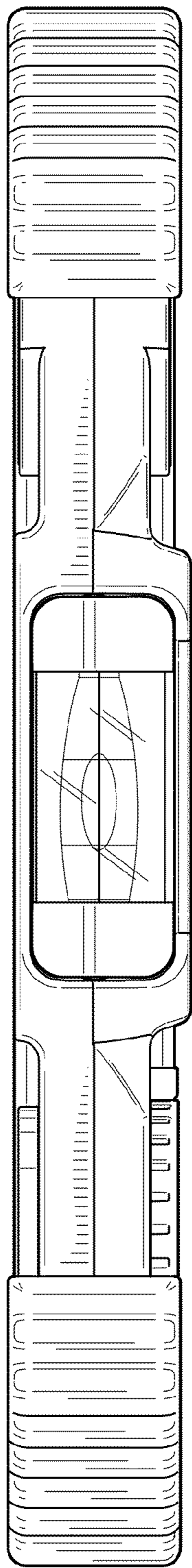


FIG. 4

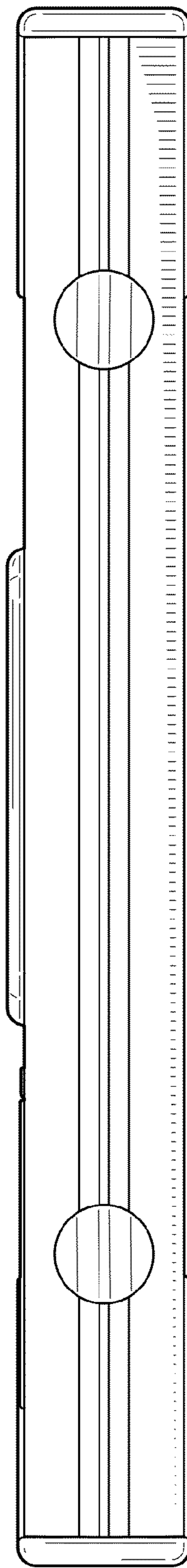


FIG. 5

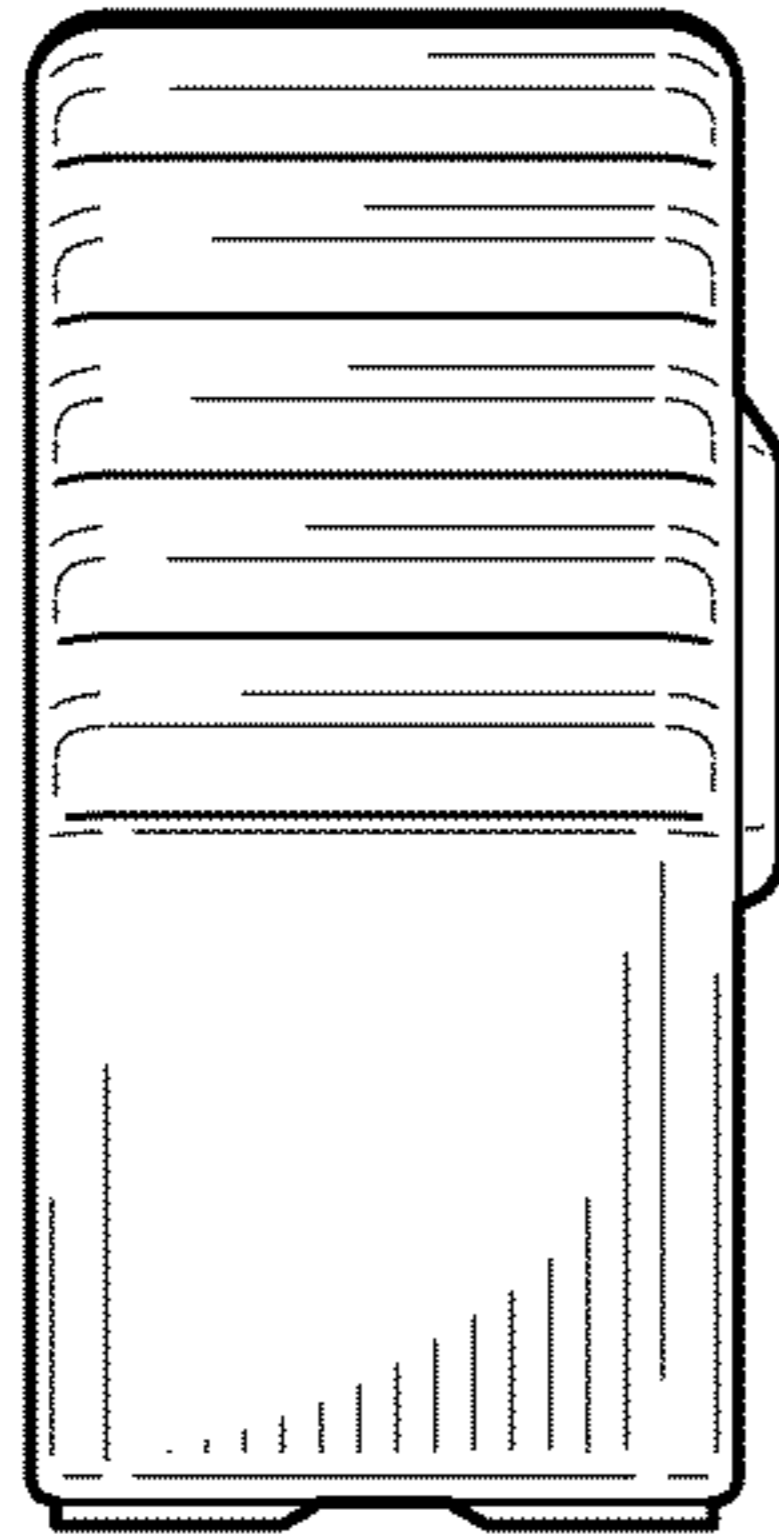


FIG. 6

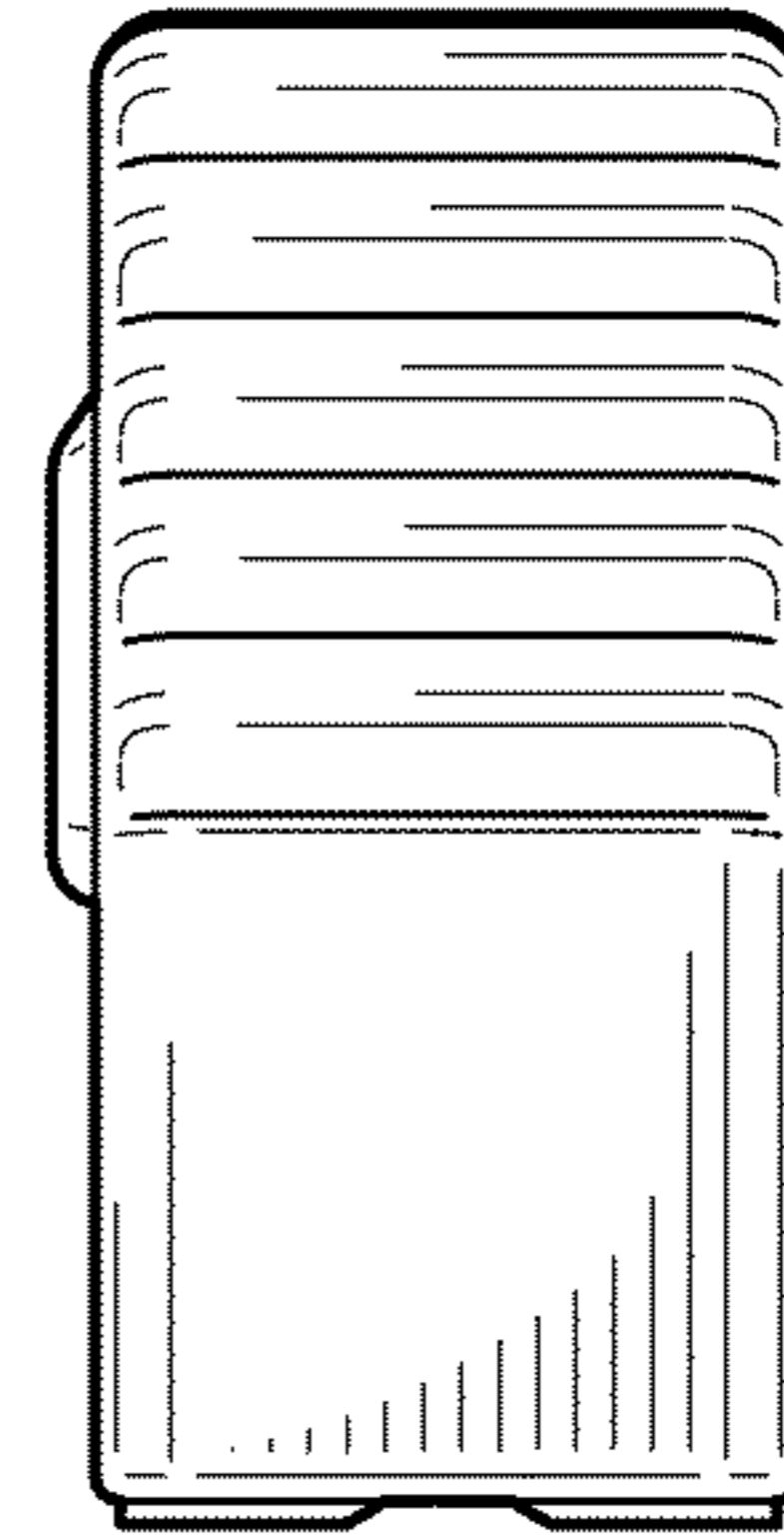


FIG. 7