



US00D704576S

(12) **United States Design Patent**
Slaker et al.

(10) **Patent No.:** **US D704,576 S**

(45) **Date of Patent:** **** May 13, 2014**

(54) **THERMOMETER BOTTOM PANEL**

(71) Applicant: **Williams-Sonoma, Inc.**, San Francisco, CA (US)

(72) Inventors: **Victoria Slaker**, San Francisco, CA (US); **Sangik Lee**, Walnut Creek, CA (US)

(73) Assignee: **Williams-Sonoma, Inc.**, San Francisco, CA (US)

(**) Term: **14 Years**

(21) Appl. No.: **29/443,780**

(22) Filed: **Jan. 22, 2013**

(30) **Foreign Application Priority Data**

Jul. 30, 2012 (AU) 13637/2012

(51) **LOC (10) CI.** **10-04**

(52) **U.S. CI.**
USPC **D10/60**

(58) **Field of Classification Search**
USPC D10/57, 60; 374/1-209,
374/E1.011-E1.017

See application file for complete search history.

(56) **References Cited**

U.S. PATENT DOCUMENTS

D111,139 S * 9/1938 Ford D10/57
6,846,106 B1 * 1/2005 Chen et al. 374/141
D693,703 S * 11/2013 Slaker et al. D10/57

* cited by examiner

Primary Examiner — Antoine D Davis

(74) *Attorney, Agent, or Firm* — R. Blake Johnston; DLA Piper LLP US

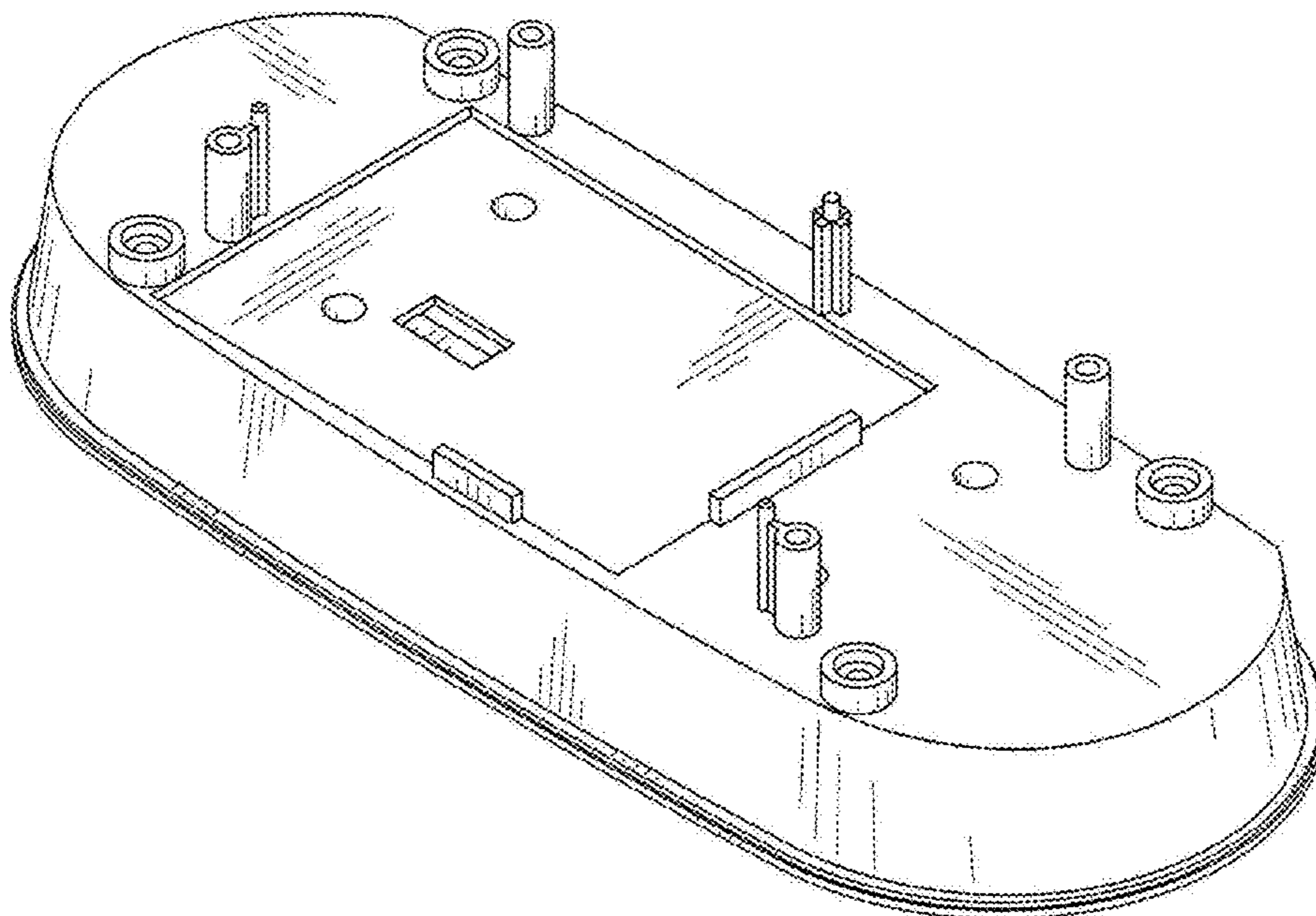
(57) **CLAIM**

The ornamental design for a thermometer bottom panel, as shown and described.

DESCRIPTION

FIG. 1 is a top plan view of the thermometer bottom panel; FIG. 2 is a front elevational view of the thermometer bottom panel; FIG. 3 is a rear elevational view of the thermometer bottom panel; FIG. 4 is a left side elevational view of the thermometer bottom panel; FIG. 5 is a right side elevational view of the thermometer bottom panel; FIG. 6 is a bottom plan view of the thermometer bottom panel; FIG. 7 is a top front perspective view of the thermometer bottom panel; and, FIG. 8 is a bottom front perspective view of the thermometer bottom panel.

1 Claim, 4 Drawing Sheets



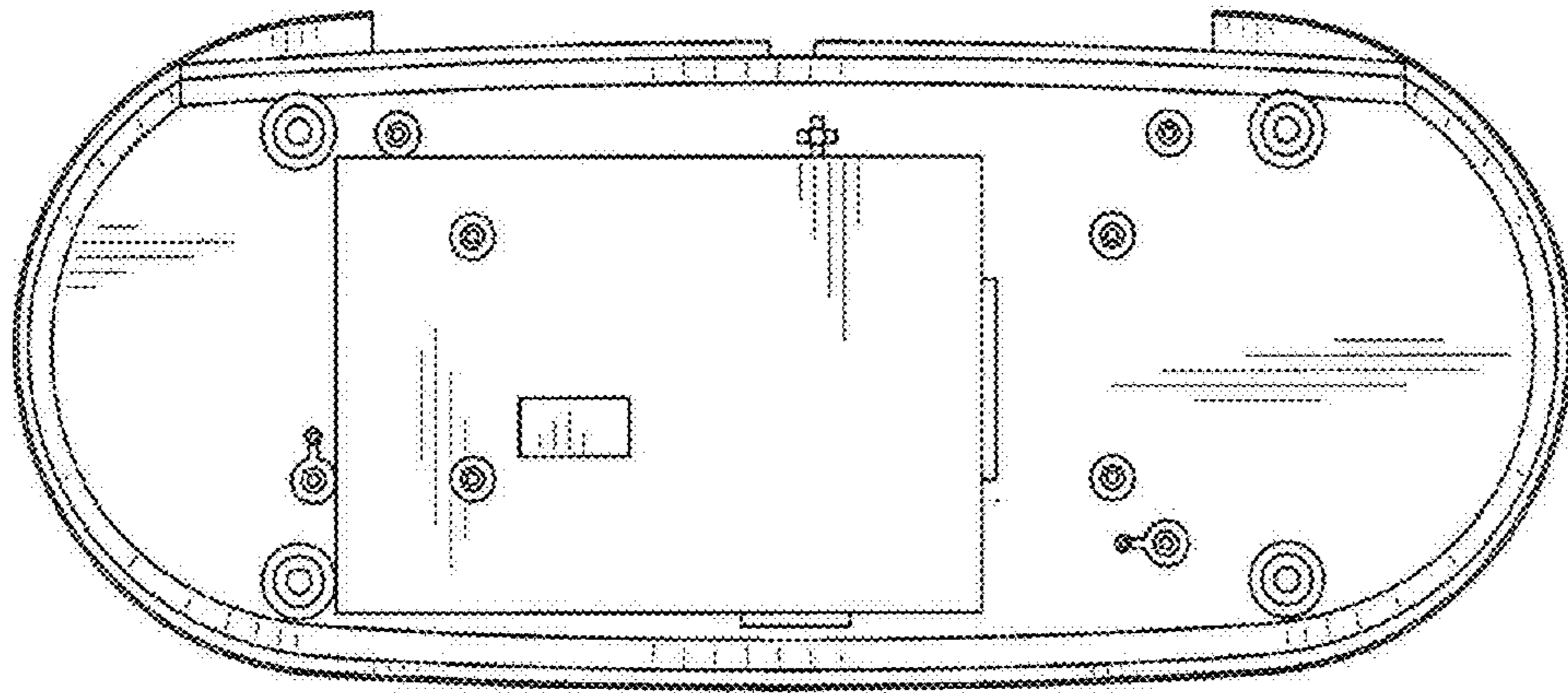


FIG. 1

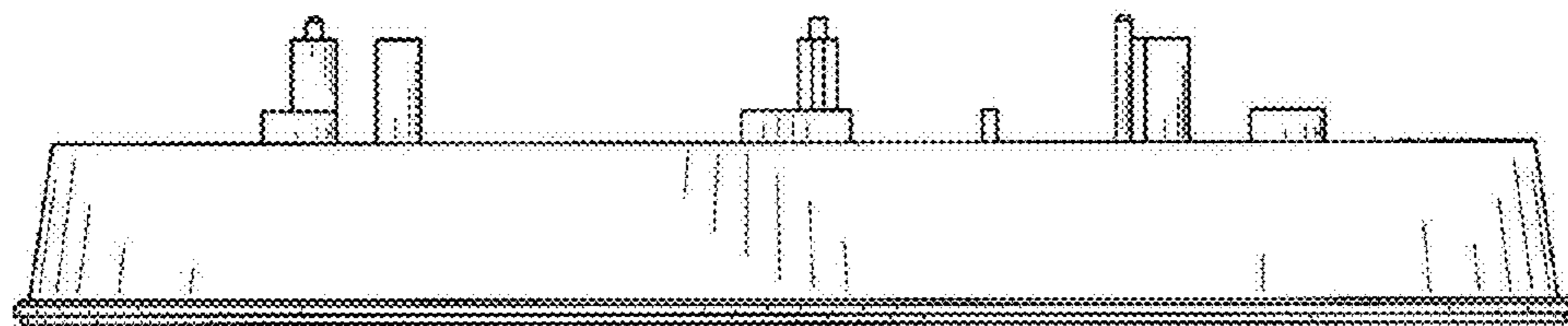


FIG. 2

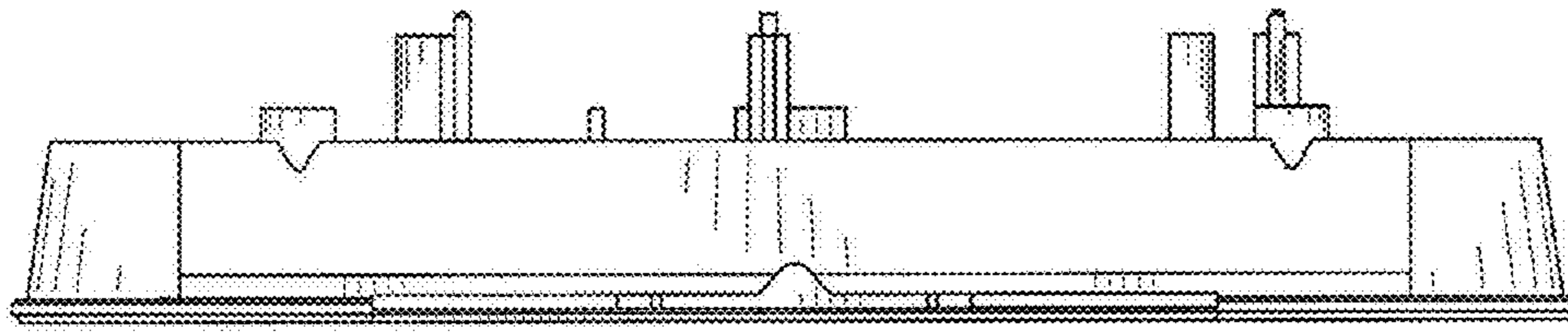


FIG. 3

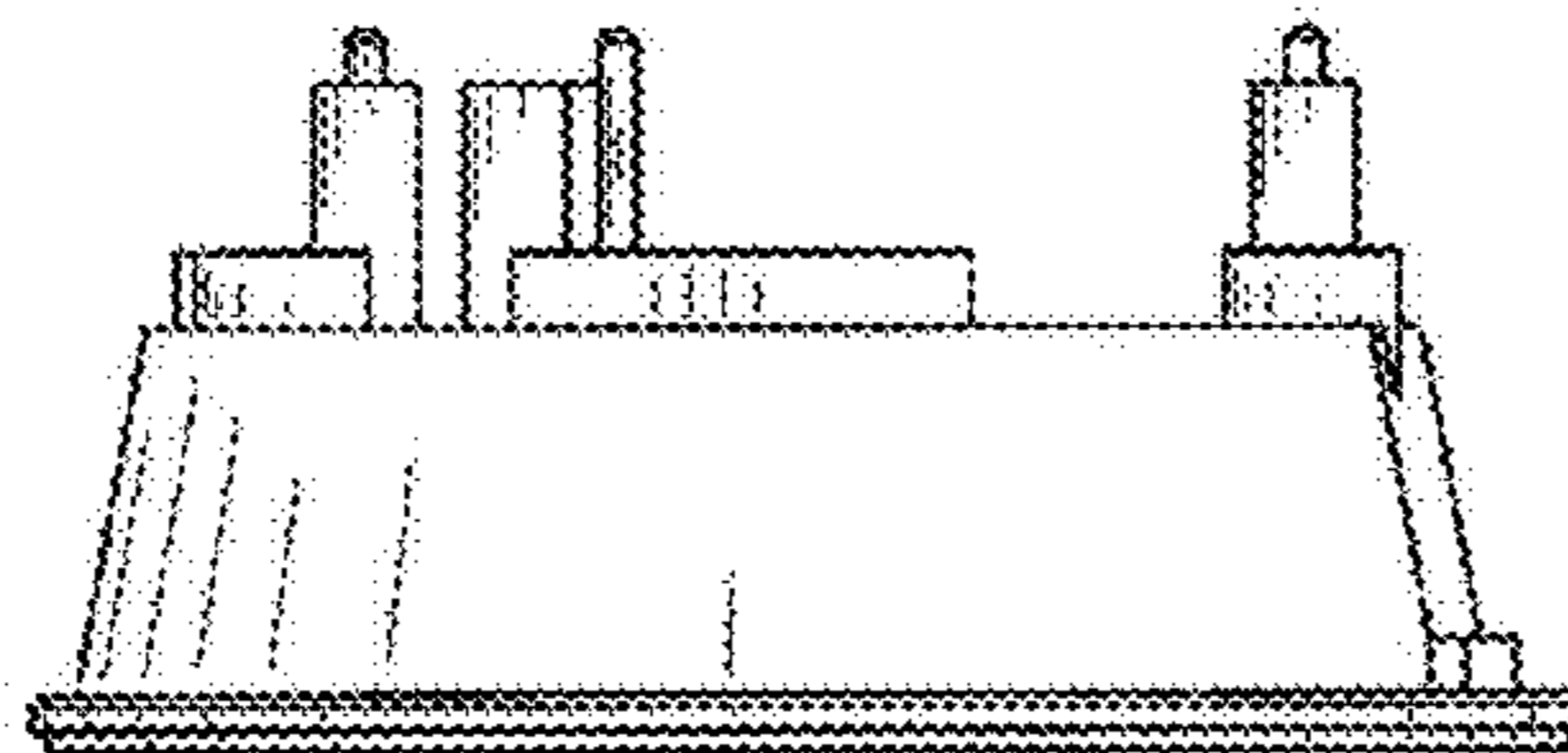


FIG. 4

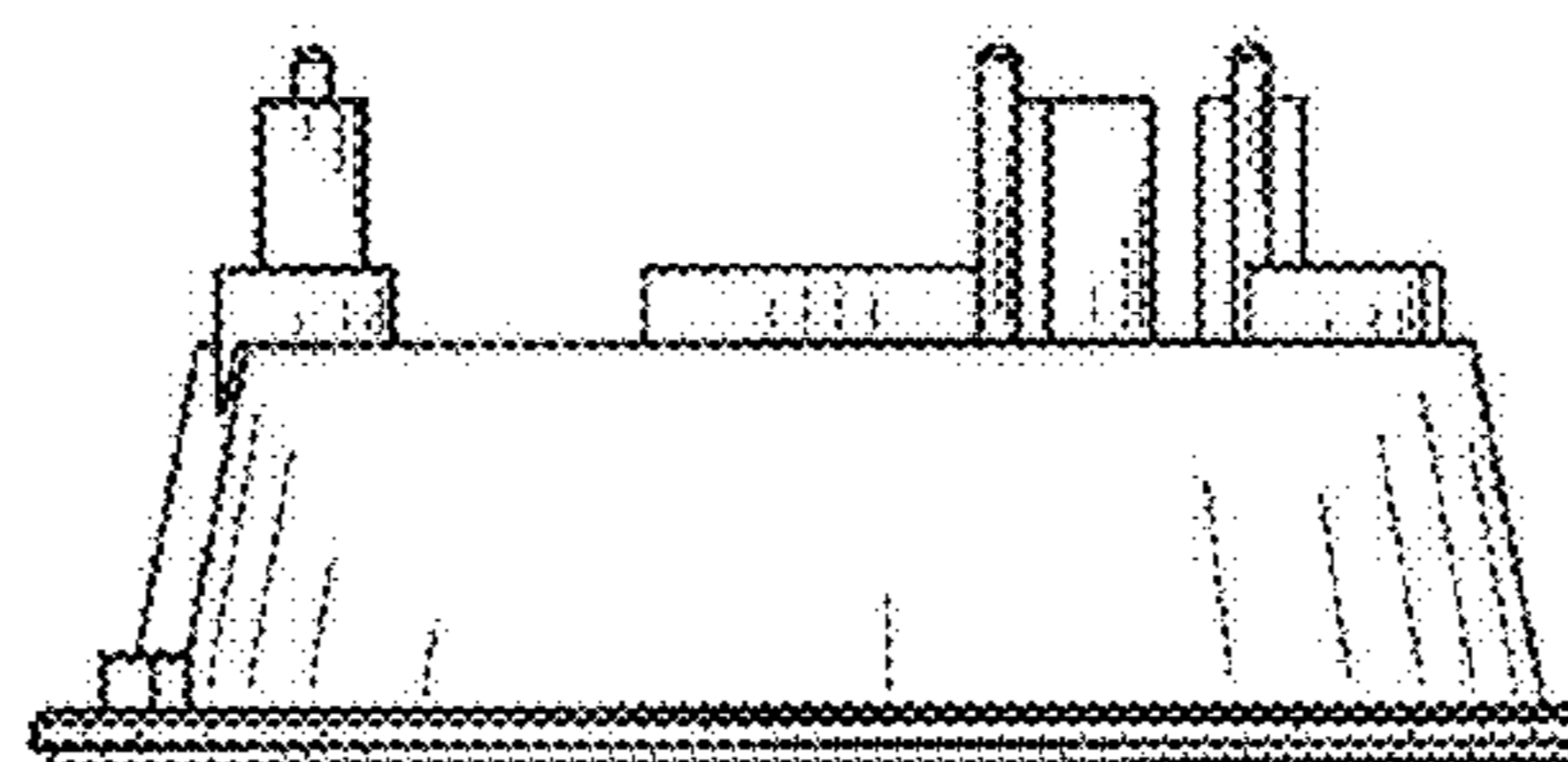


FIG. 5

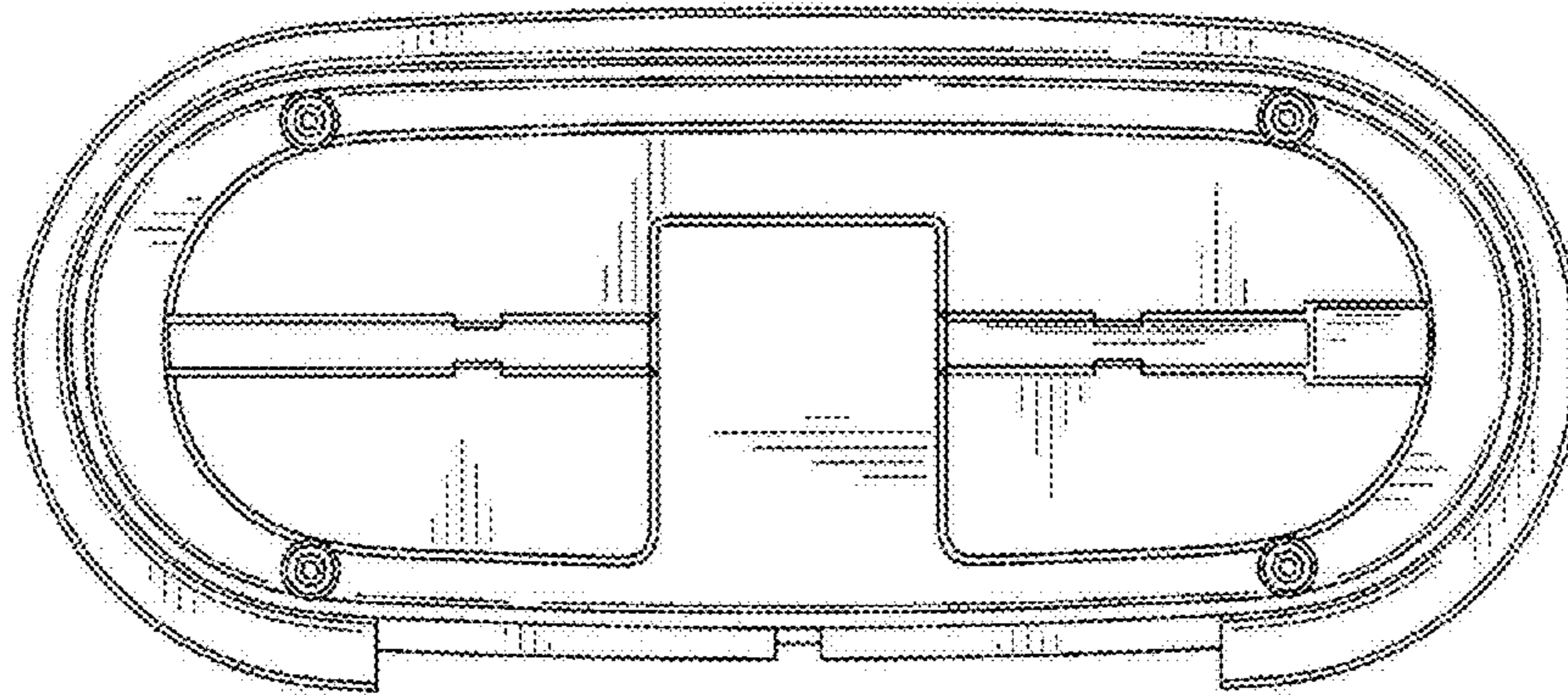


FIG. 6

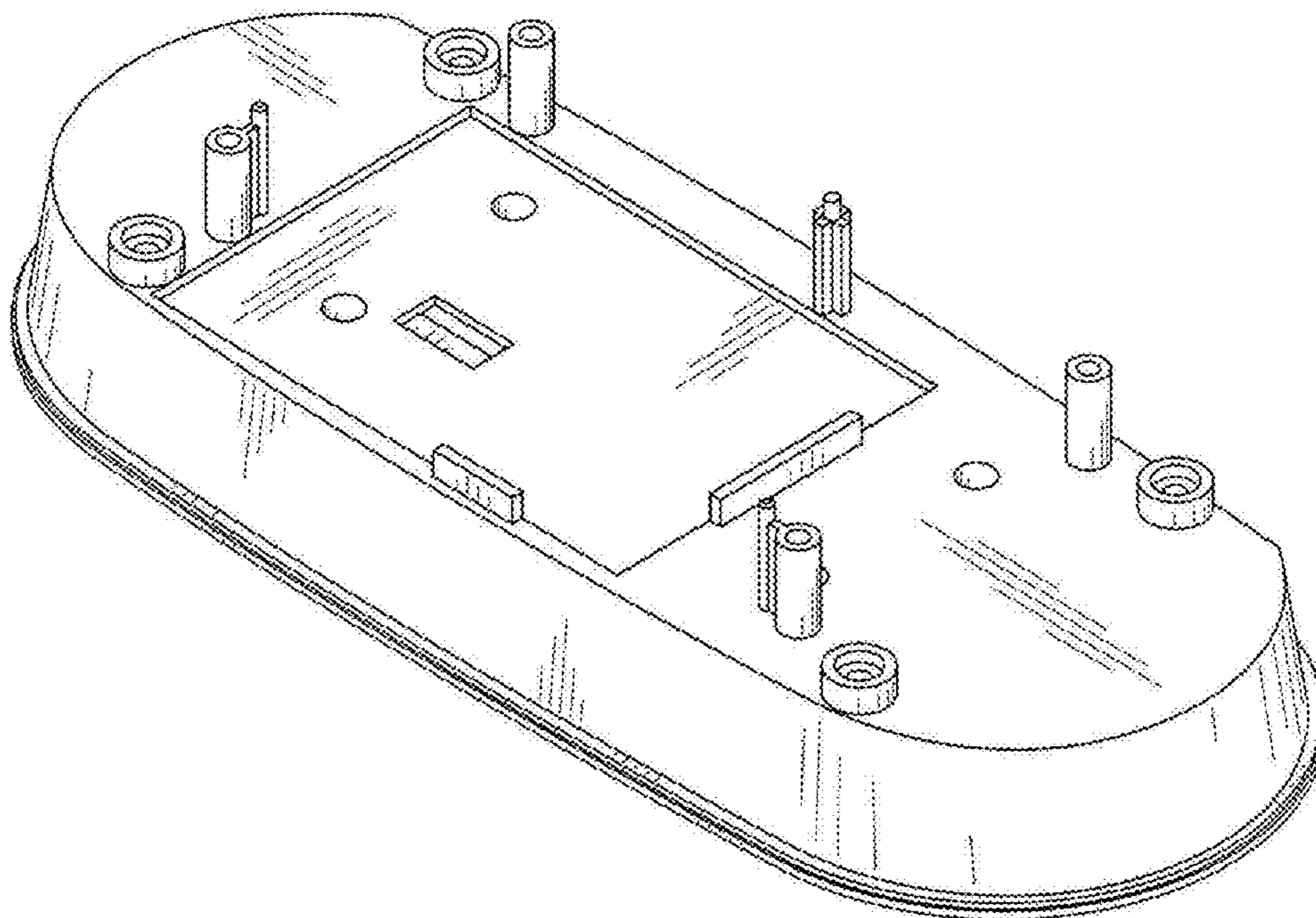


FIG. 7

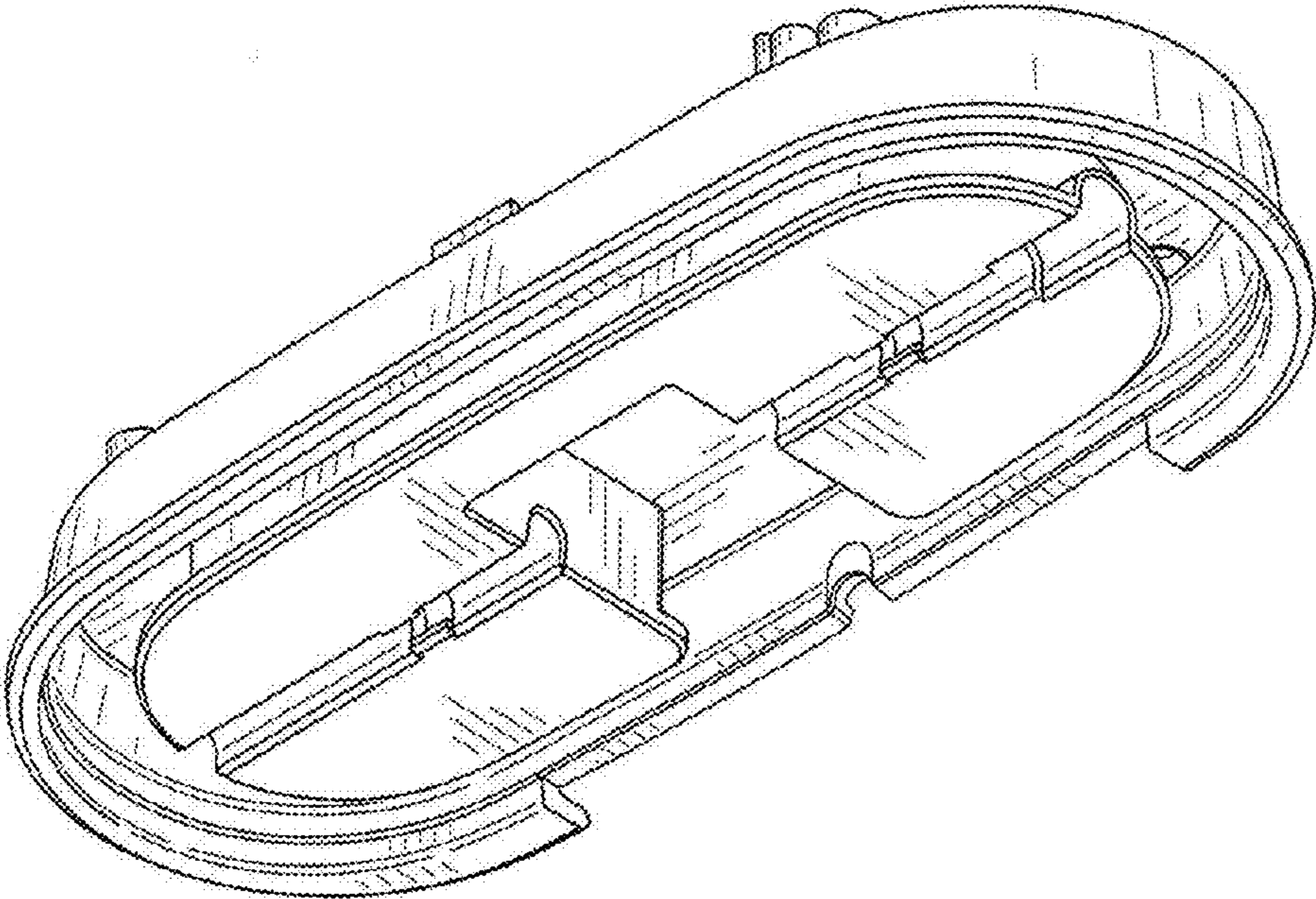


FIG. 8