



US00D704569S

(12) **United States Design Patent**
Partrat

(10) **Patent No.:** **US D704,569 S**

(45) **Date of Patent:** **** May 13, 2014**

(54) **WRISTBAND PACKAGING**

(75) Inventor: **Olivier Partrat**, Hong Kong (HK)

(73) Assignee: **Evergreen Land Limited**, Hong Kong (HK)

(**) Term: **14 Years**

(21) Appl. No.: **29/420,160**

(22) Filed: **May 4, 2012**

(51) **LOC (10) Cl.** **09-01**

(52) **U.S. Cl.**
USPC **D9/722**; D9/415; D9/418

(58) **Field of Classification Search**
USPC D9/600, 630, 715, 718, 722, 414-415,
D9/418, 456-457; 206/457, 461-471, 495,
206/776, 779; D20/29-30, 40-43; D22/122
See application file for complete search history.

(56) **References Cited**

U.S. PATENT DOCUMENTS

D233,083 S *	10/1974	Ross	D20/40
D277,731 S *	2/1985	Sharp et al.	D9/722
D327,427 S *	6/1992	McCooley	D9/722
D354,679 S *	1/1995	Dunn	D9/415
D423,344 S *	4/2000	Kumakura et al.	D9/415

D454,062 S *	3/2002	Garrant et al.	D9/415
D514,436 S *	2/2006	McGuinness	D9/732
D540,168 S *	4/2007	Chin	D9/457
D544,788 S *	6/2007	Brittain	D9/415
D550,553 S *	9/2007	Yalinkaya	D9/415
D601,009 S *	9/2009	Shinn	D9/415
D615,401 S *	5/2010	Ouimette et al.	D9/457

* cited by examiner

Primary Examiner — Sandra Morris

(74) *Attorney, Agent, or Firm* — St. Onge Steward Johnston & Reens LLC

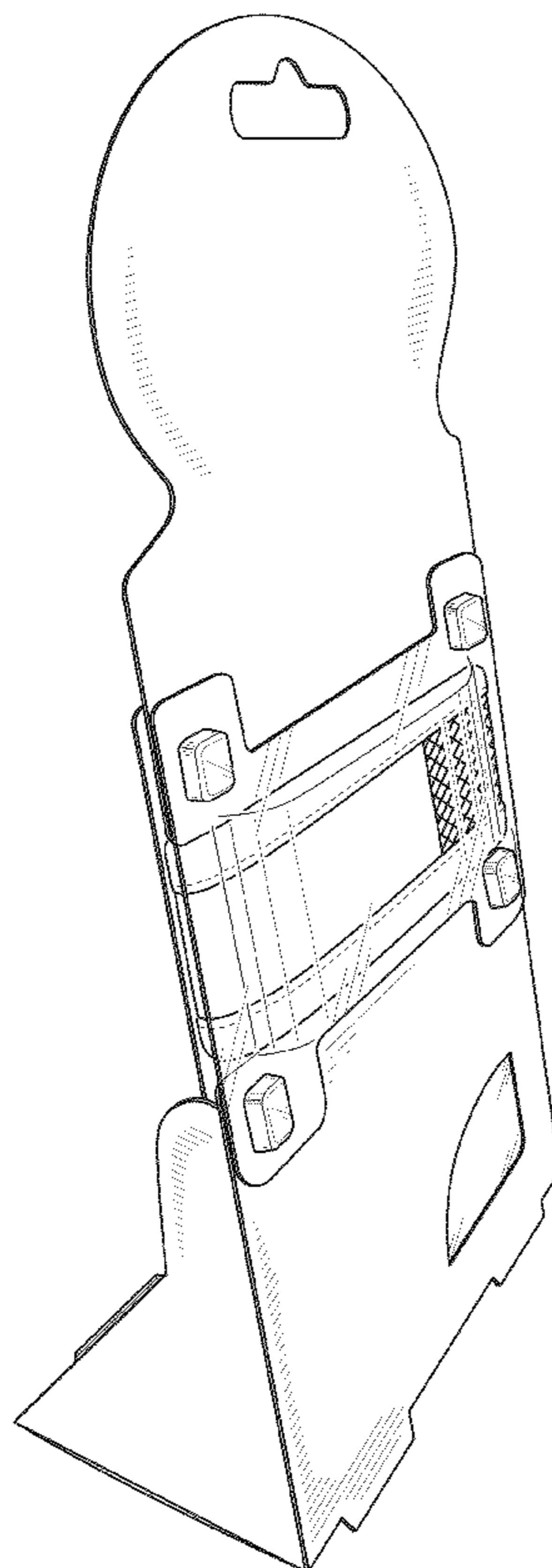
(57) **CLAIM**

The ornamental design for a wristband packaging, as shown and described.

DESCRIPTION

FIG. 1 is a front right side perspective view of a wristband packaging in accordance with the new design;
FIG. 2 is a front isometric view thereof;
FIG. 3 is a front left side perspective view thereof;
FIG. 4 is a rear left side perspective view thereof;
FIG. 5 is a rear isometric view thereof; and,
FIG. 6 is a rear and right side perspective view thereof.

1 Claim, 6 Drawing Sheets



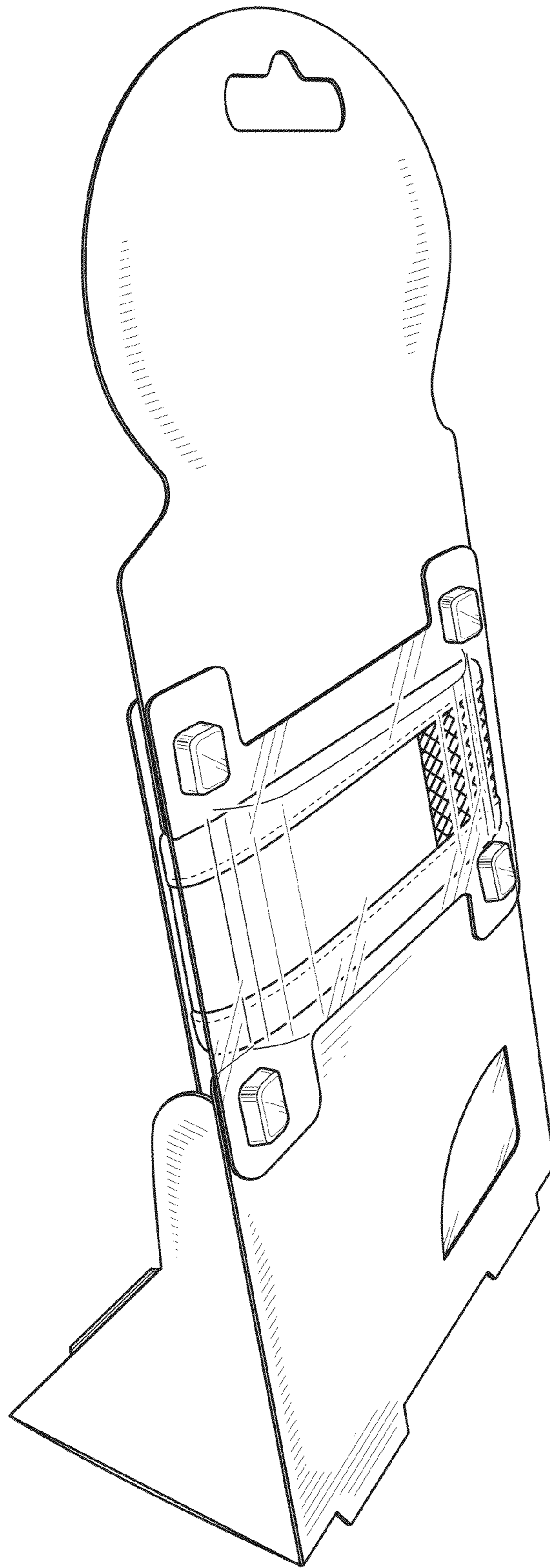


FIG. 1

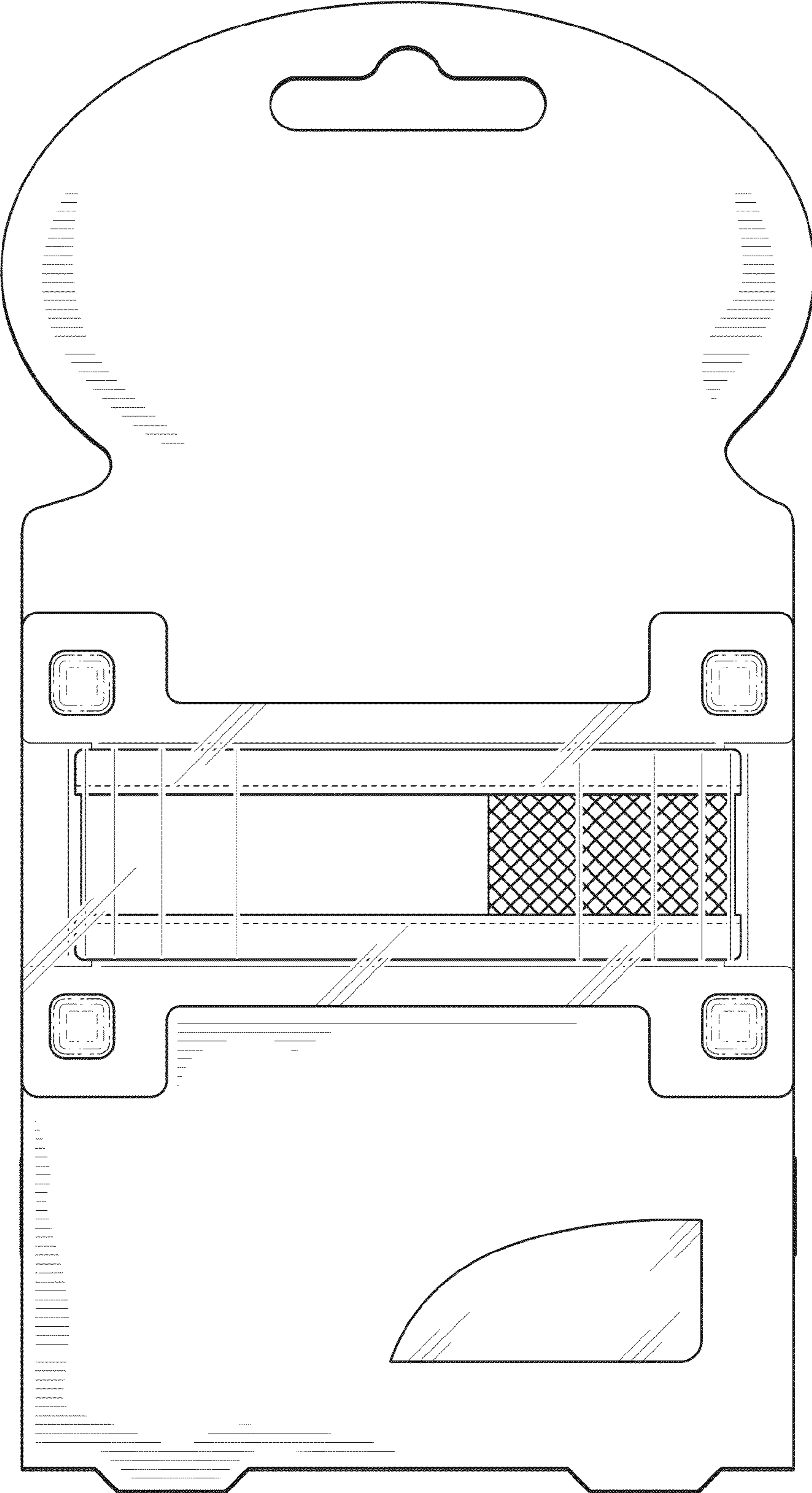


FIG. 2

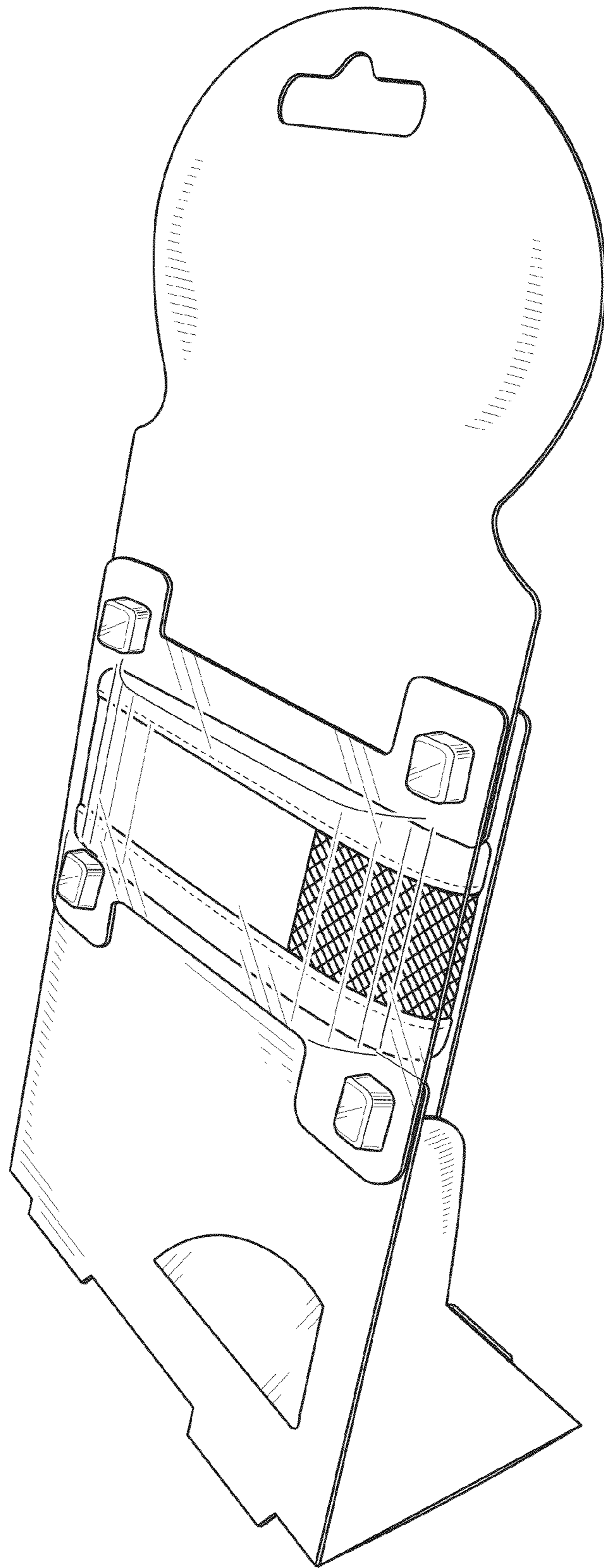


FIG. 3

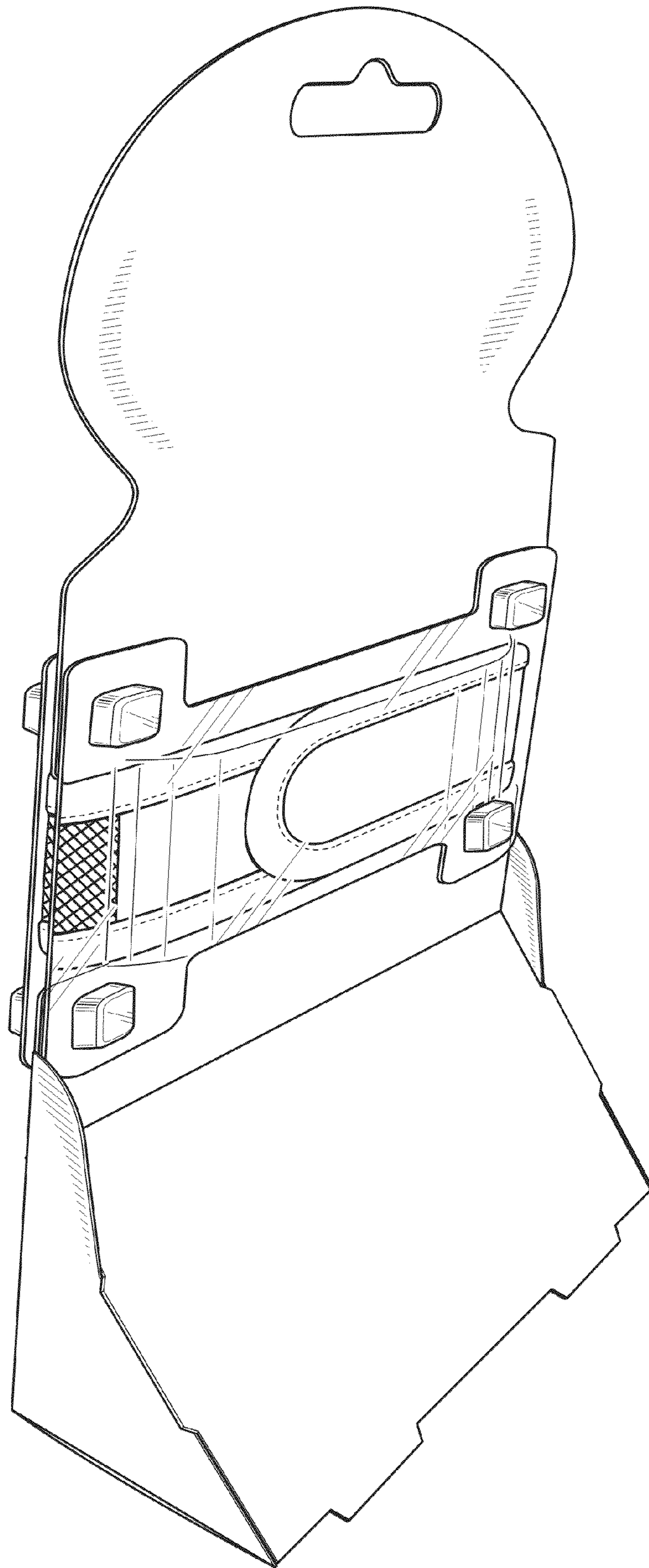


FIG. 4

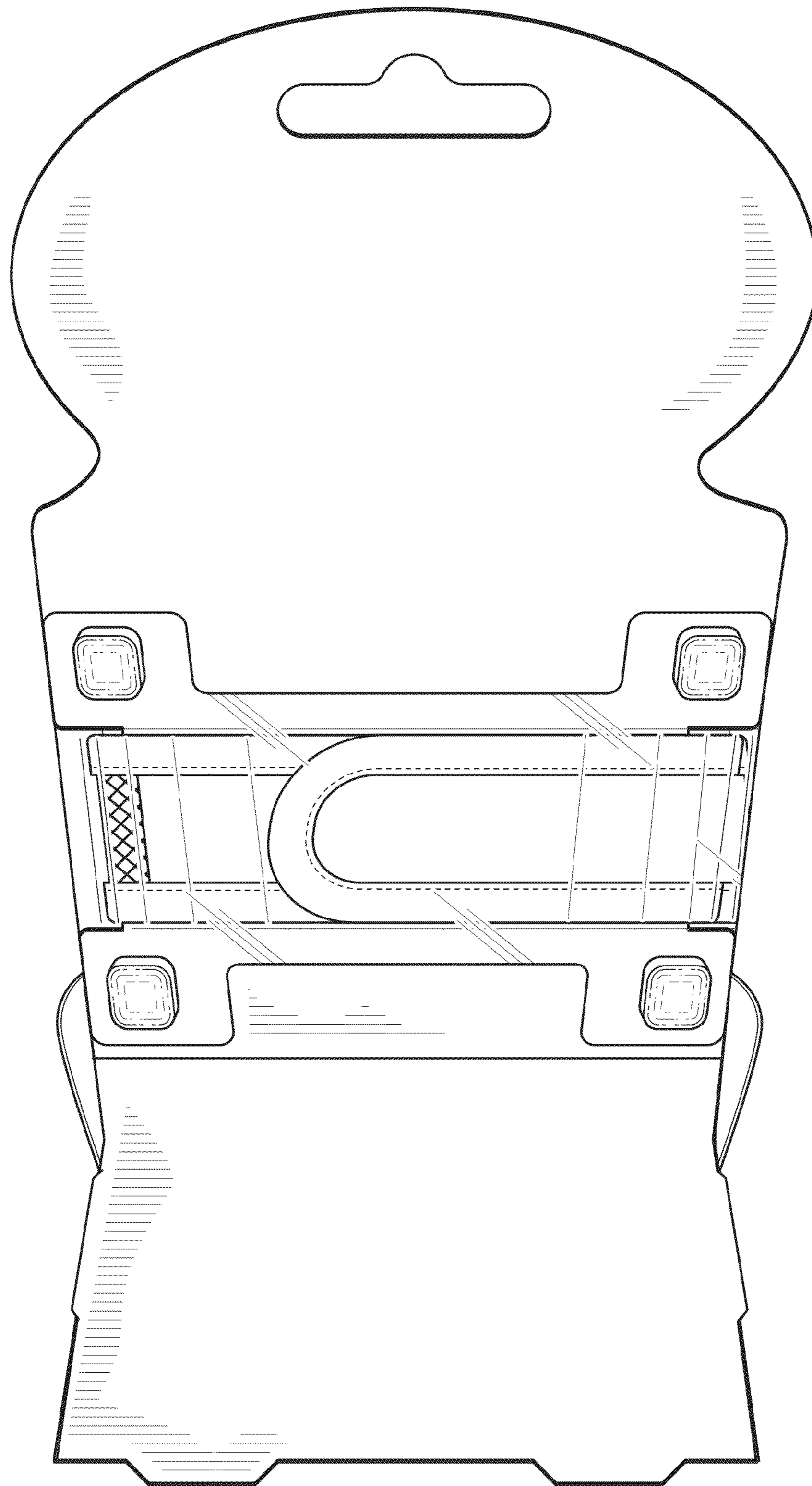


FIG. 5

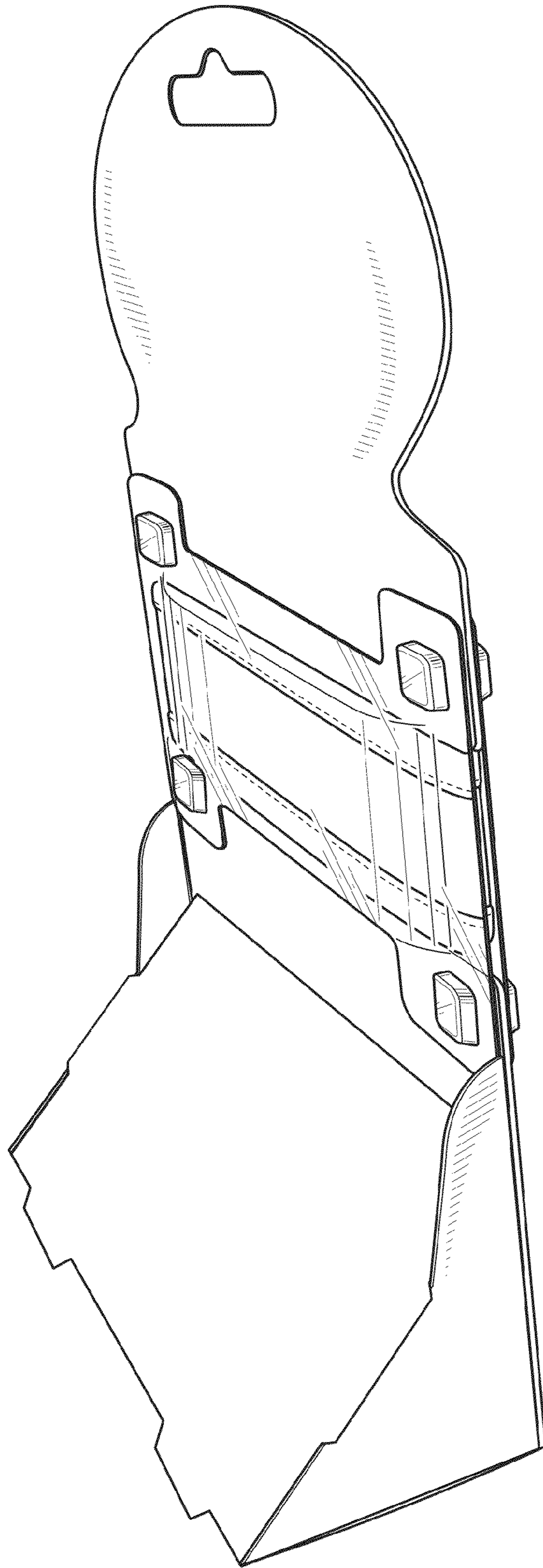


FIG. 6