



US00D704568S

(12) **United States Design Patent**
Dorris et al.

(10) **Patent No.:** **US D704,568 S**
(45) **Date of Patent:** **** May 13, 2014**

- (54) **BABY TOY AND PACKAGING**
- (71) Applicant: **Brooke Dorris**, Jackson, TN (US)
- (72) Inventors: **Brooke Dorris**, Jackson, TN (US);
Neely Catignani, Nashville, TN (US)
- (73) Assignee: **Brooke Dorris**, Jackson, TN (US)
- (**) Term: **14 Years**
- (21) Appl. No.: **29/458,708**
- (22) Filed: **Jun. 21, 2013**
- (51) **LOC (10) Cl.** **09-03**
- (52) **U.S. Cl.**
USPC **D9/715**
- (58) **Field of Classification Search**
USPC D9/414, 418, 433, 424, 456, 649, 702,
D9/711, 713, 715; 229/87.01, 87.15,
229/87.17, 124, 126, 136; 206/216, 292,
206/293, 297, 298, 457, 461-471, 581, 736,
206/738, 756, 769; D6/601, 606
See application file for complete search history.

- D587,134 S * 2/2009 Caldwell D9/715
- D587,598 S * 3/2009 Keating D9/715
- 7,513,366 B1 * 4/2009 Keating 206/495
- D637,029 S * 5/2011 Foster D6/601
- D663,151 S * 7/2012 Beuerle D6/601
- 2009/0294311 A1 * 12/2009 Caldwell 206/281

* cited by examiner

Primary Examiner — Derrick Holland

Assistant Examiner — Lauren Calve

(74) *Attorney, Agent, or Firm* — Waddey & Patterson;
Matthew C. Cox

(57) **CLAIM**

What is claimed is the ornamental design for a baby toy and packaging, as shown and described.

DESCRIPTION

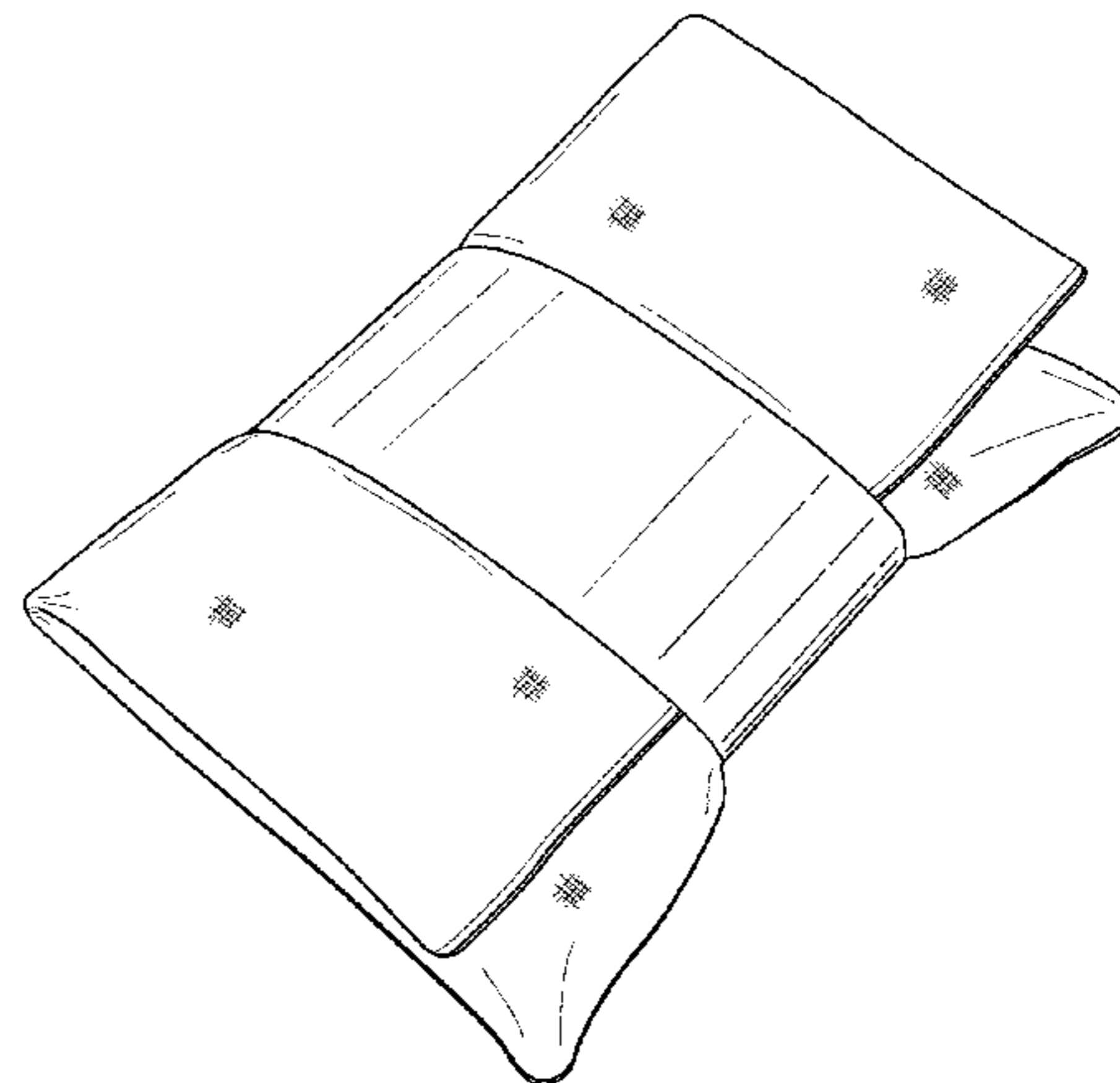
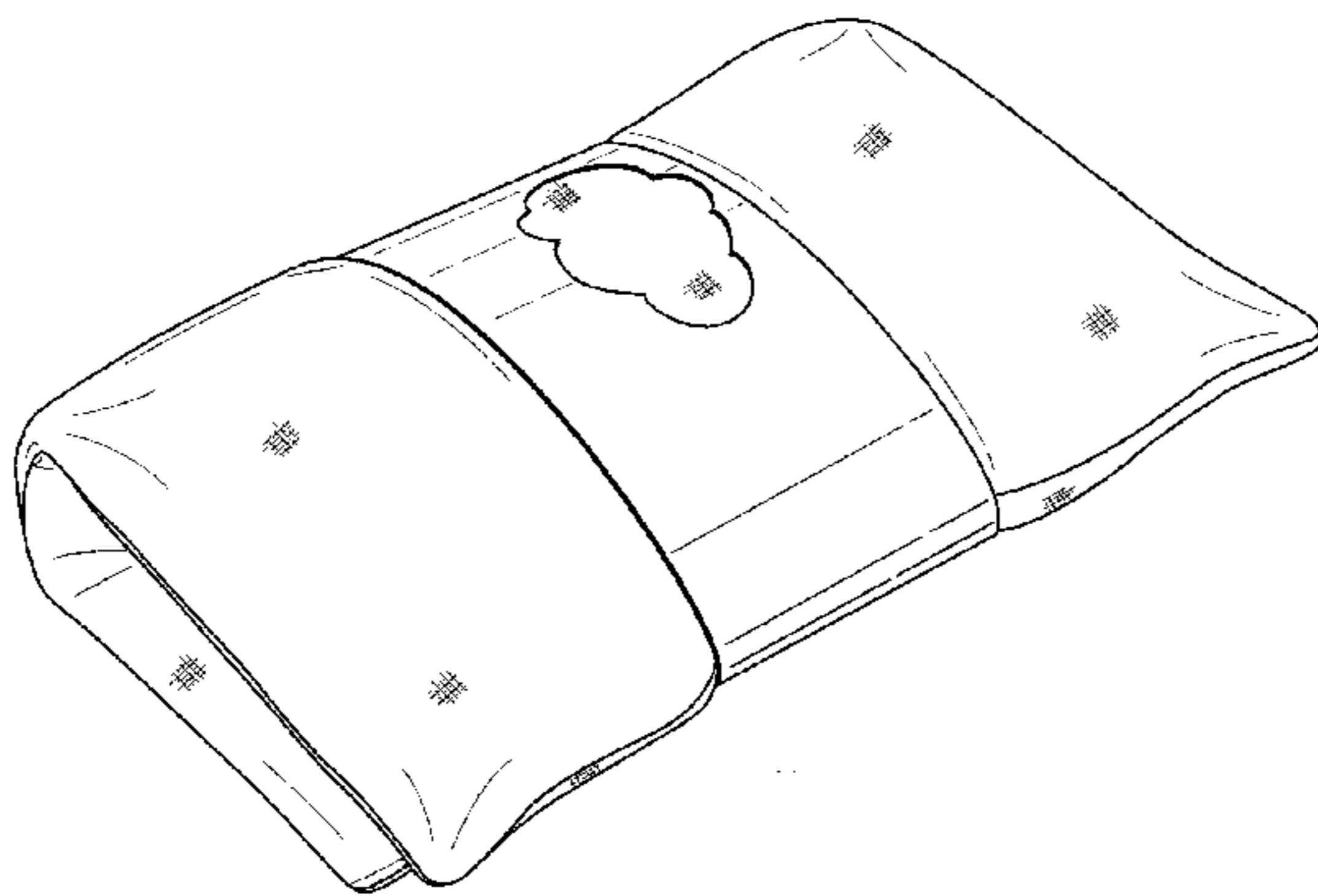
FIG. 1 is a front perspective view of a baby toy and packaging according to the present design.
 FIG. 2 is a back perspective view thereof.
 FIG. 3 is a front view thereof.
 FIG. 4 is a back view thereof.
 FIG. 5 is a right side view thereof.
 FIG. 6 is a left side view thereof; and,
 FIG. 7 is a top end view thereof, the bottom end view being identical.

1 Claim, 3 Drawing Sheets

(56) **References Cited**

U.S. PATENT DOCUMENTS

- D417,997 S * 12/1999 Yannakis D6/601
- D450,578 S * 11/2001 Tomaselli et al. D9/711



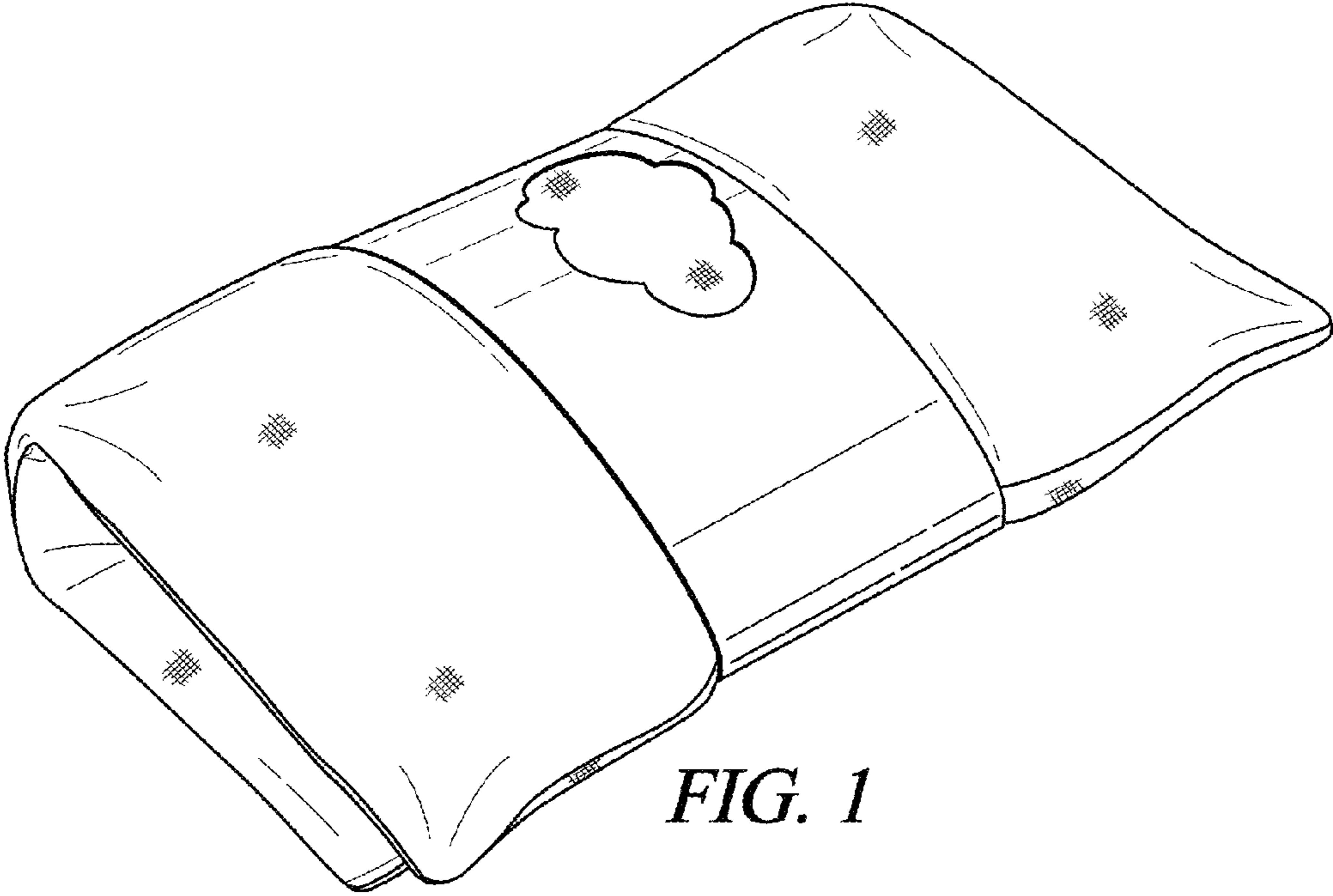


FIG. 1

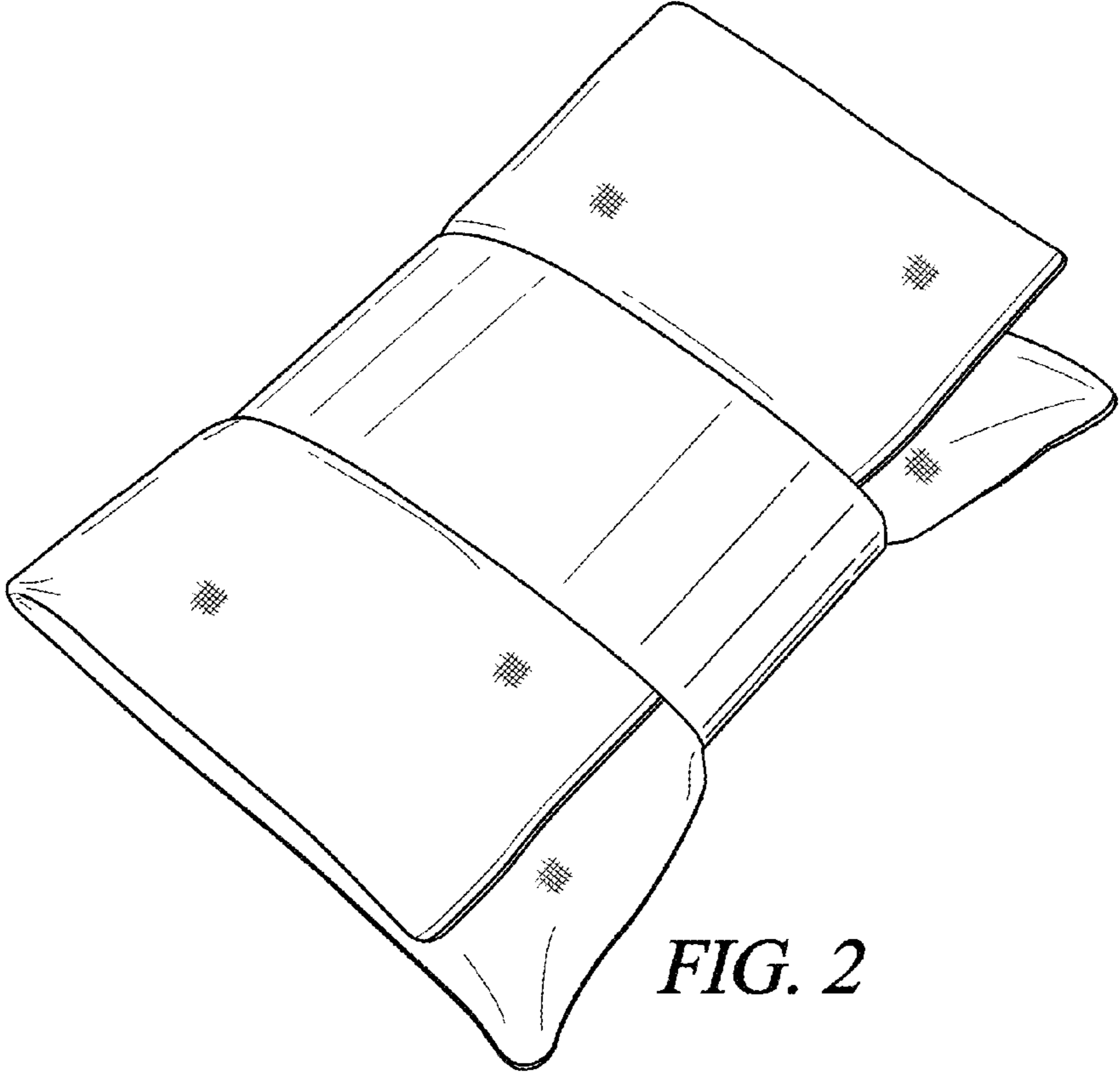


FIG. 2

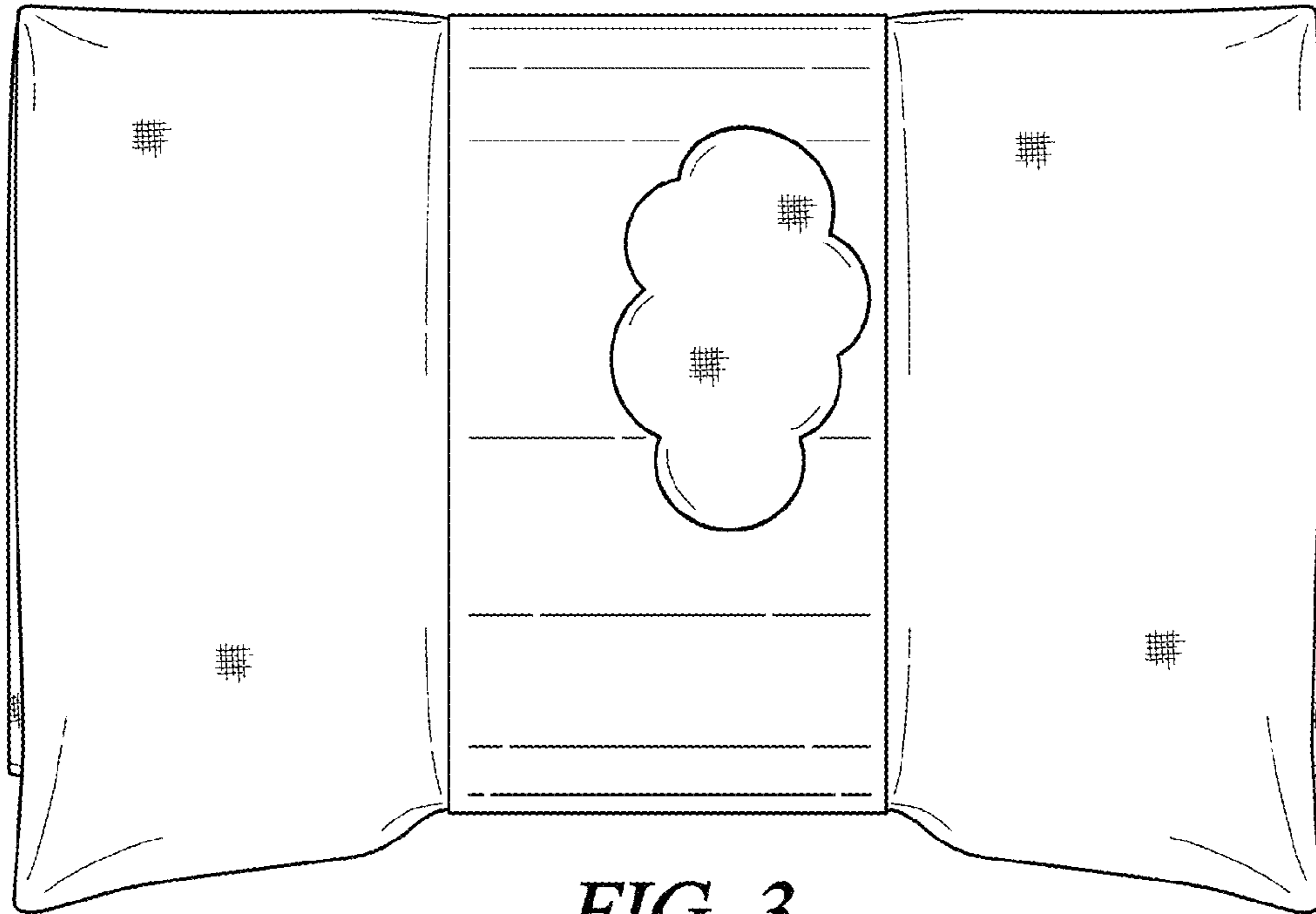


FIG. 3

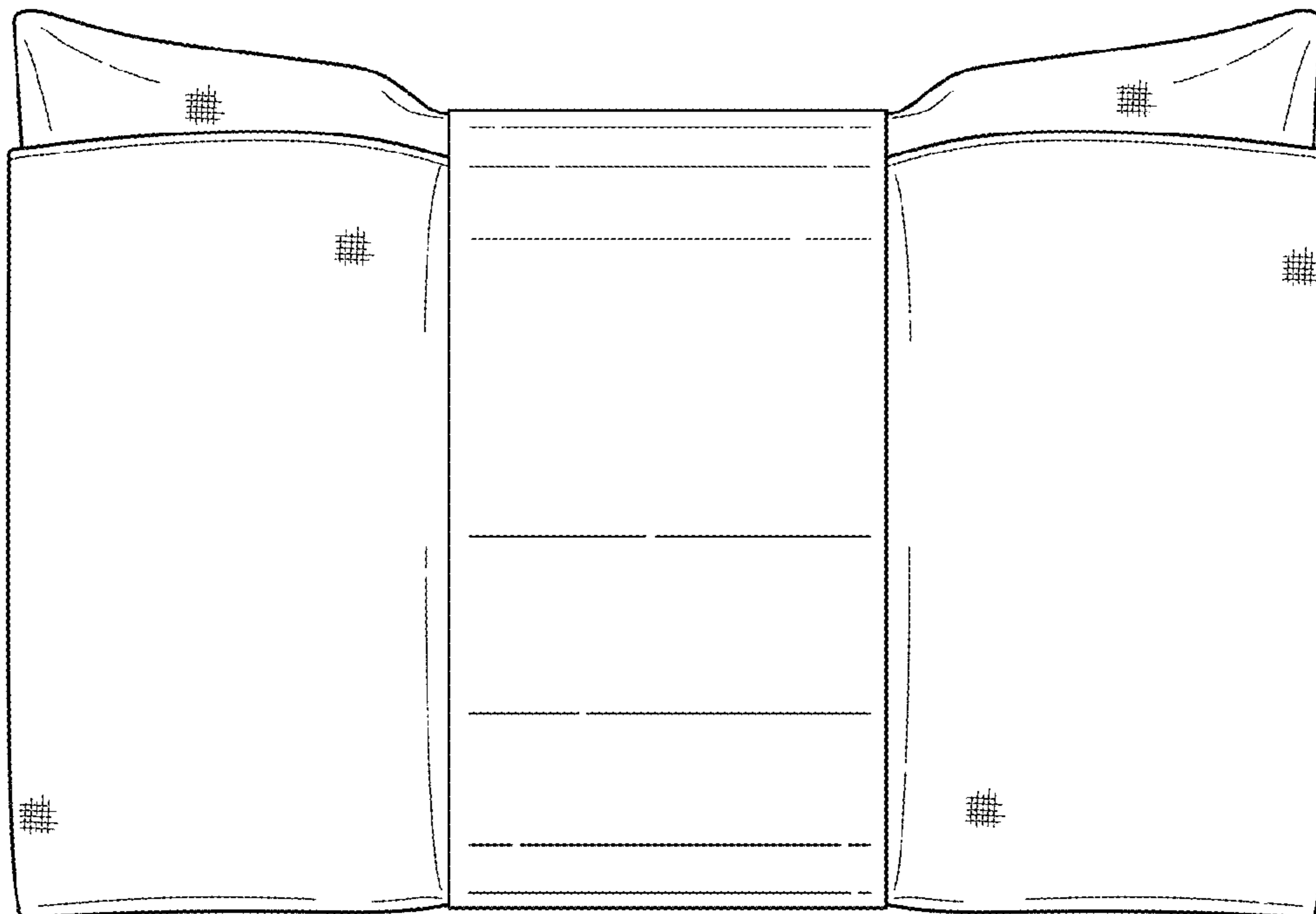


FIG. 4

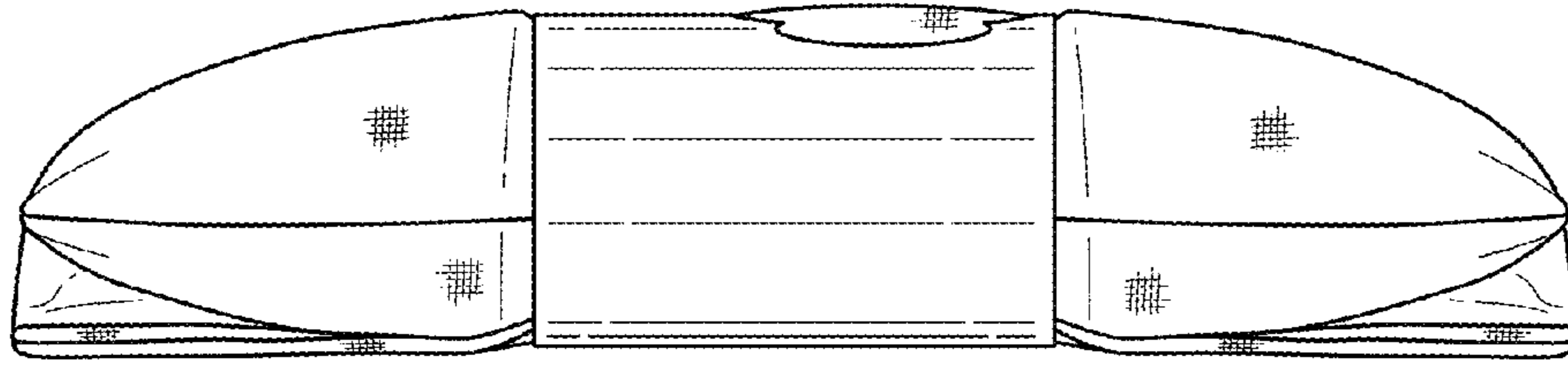


FIG. 5

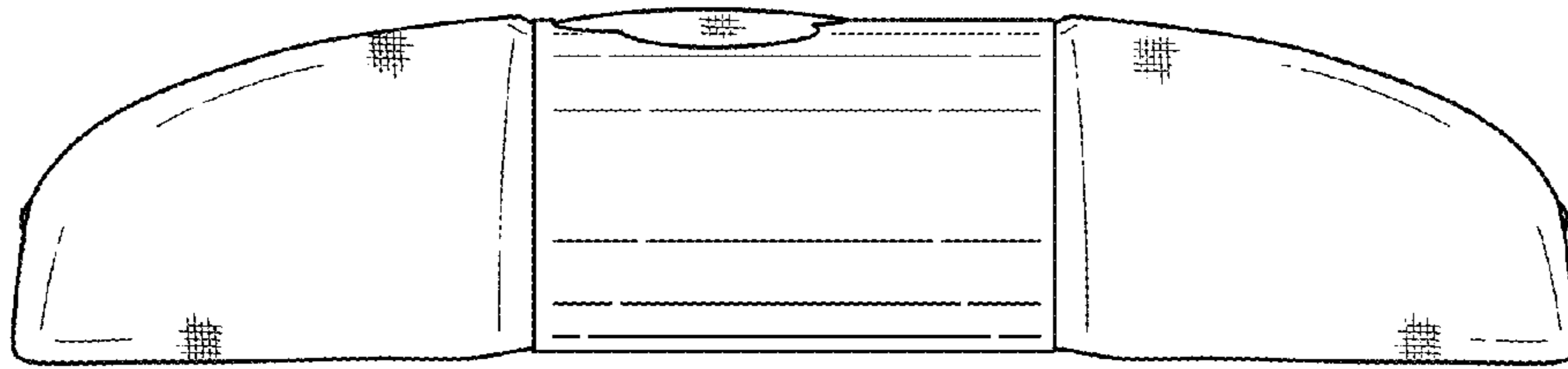


FIG. 6

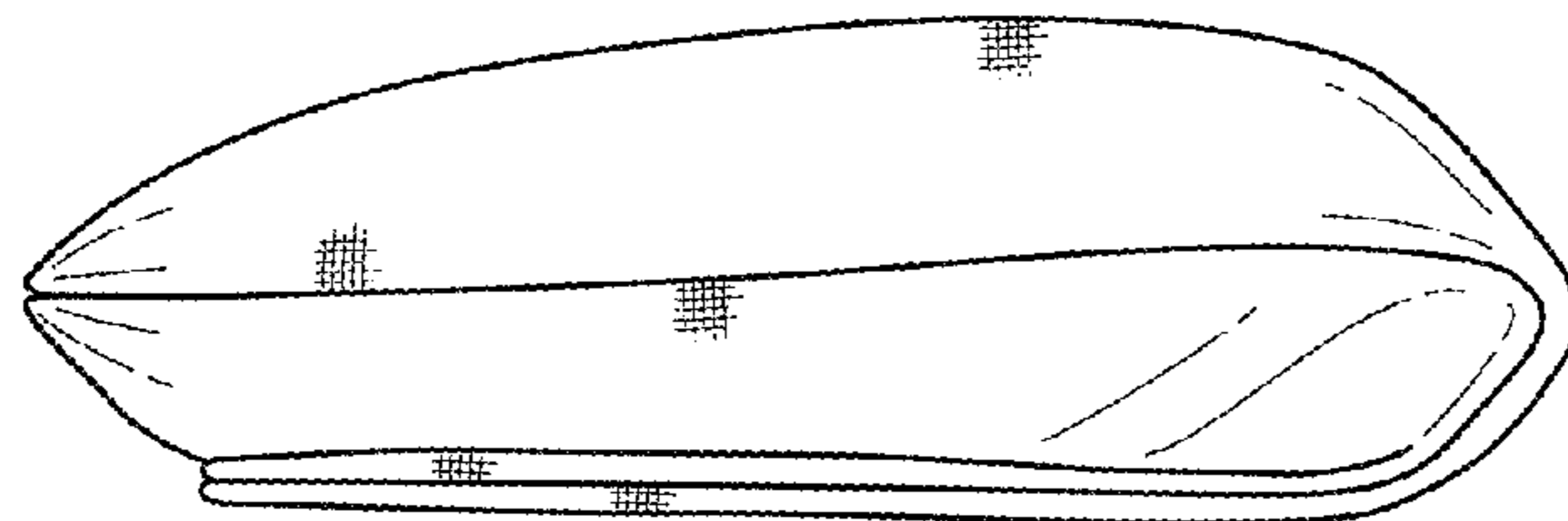


FIG. 7