



US00D704567S

(12) **United States Design Patent**
Sanders

(10) **Patent No.:** **US D704,567 S**

(45) **Date of Patent:** **** May 13, 2014**

(54) **TENNIS BALL BOTTLE**
(71) Applicant: **John M. Sanders**, Minneapolis, MN
(US)
(72) Inventor: **John M. Sanders**, Minneapolis, MN
(US)

D355,334 S * 2/1995 Minor D7/606
D409,443 S * 5/1999 Clark et al. D7/515
D415,929 S * 11/1999 D'Arrigo D7/515
D549,106 S * 8/2007 Lepoitevin D9/668
D555,504 S * 11/2007 Polina et al. D9/668
D596,489 S * 7/2009 Weiss D9/519
D665,266 S * 8/2012 Gelin D9/668
D671,011 S * 11/2012 Sanders D9/668

(**) Term: **14 Years**

* cited by examiner

(21) Appl. No.: **29/442,561**

Primary Examiner — Sandra Morris

(22) Filed: **Mar. 25, 2013**

(74) *Attorney, Agent, or Firm* — Richard John Bartz

(51) **LOC (10) Cl.** **09-01**

(57) **CLAIM**

(52) **U.S. Cl.**
USPC **D9/668; D9/519**

The ornamental design of a tennis ball bottle, as shown and described.

(58) **Field of Classification Search**
USPC D7/514–515, 606, 613, 619.2, 901;
D9/600, 668, 500–505, 516, 519,
D9/537–540, 544–545, 548, 549–558,
D9/574–585; 206/457, 527, 540; 220/890;
D3/202, 207–271.1, 271.9

DESCRIPTION

See application file for complete search history.

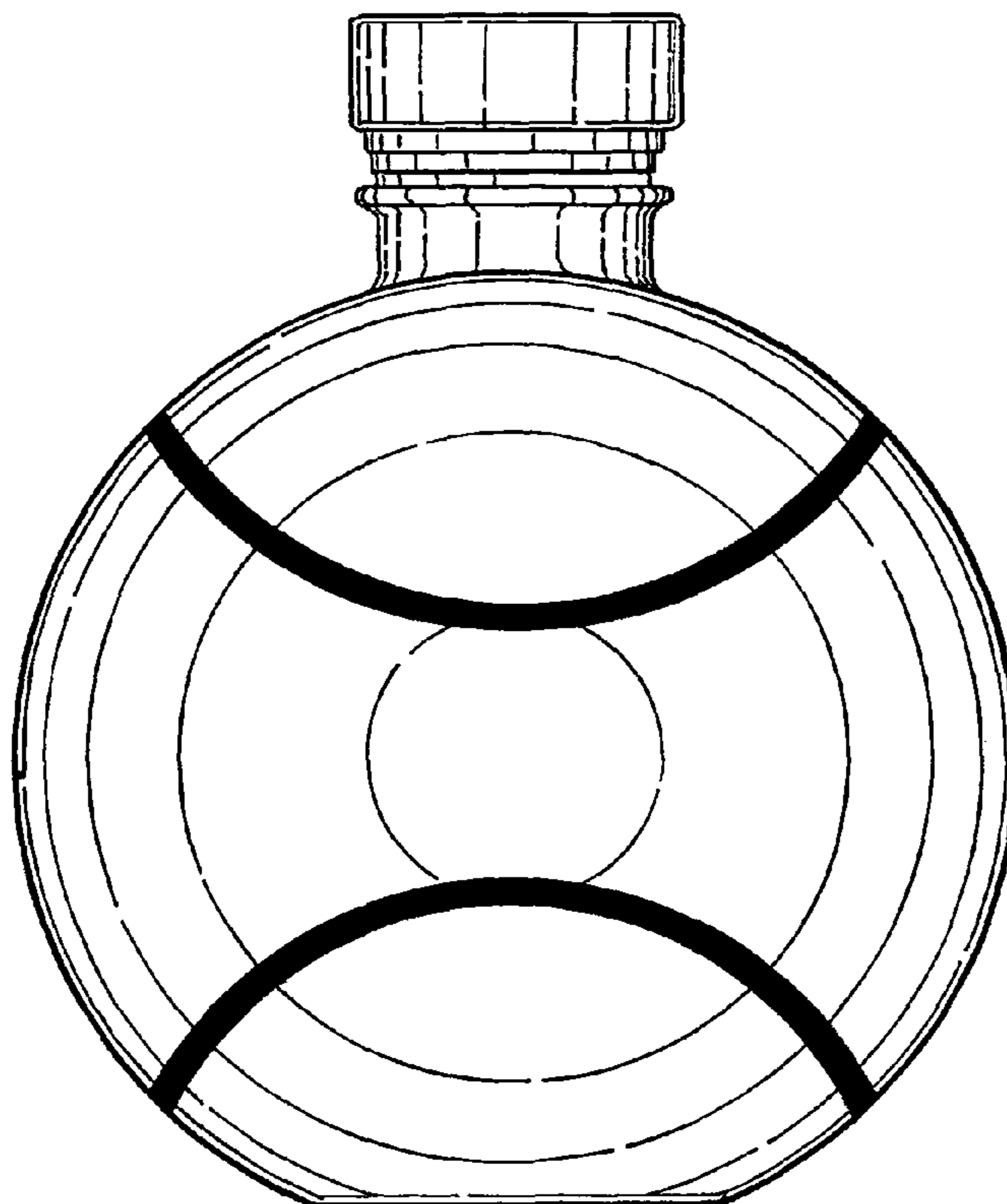
FIG. 1 is a front elevational view of the tennis ball bottle of my design;
FIG. 2 is a rear elevational view thereof;
FIG. 3 is a side elevational view of the right side thereof;
FIG. 4 is a side elevational view of the left side thereof;
FIG. 5 is a top plan view thereof; and,
FIG. 6 is a bottom plan view thereof.
The broken line showing of the bottom is for illustrative purposes only, and forms no part of the claimed design.

(56) **References Cited**

U.S. PATENT DOCUMENTS

3,624,939 A * 12/1971 Gossaard D9/668
D330,284 S * 10/1992 Klien et al. D3/271.9
D349,631 S * 8/1994 Redmon D7/606

1 Claim, 5 Drawing Sheets



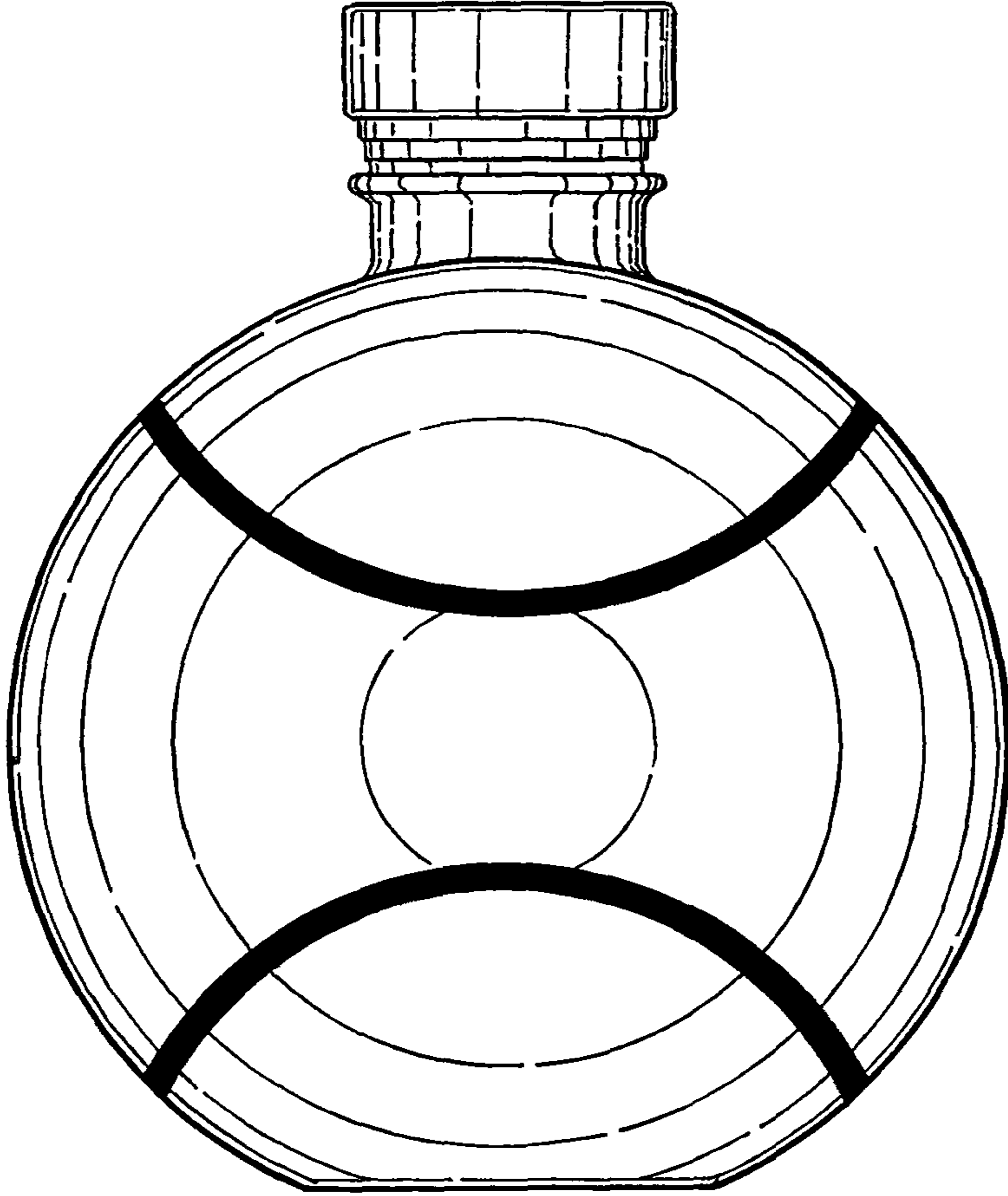


FIG.1

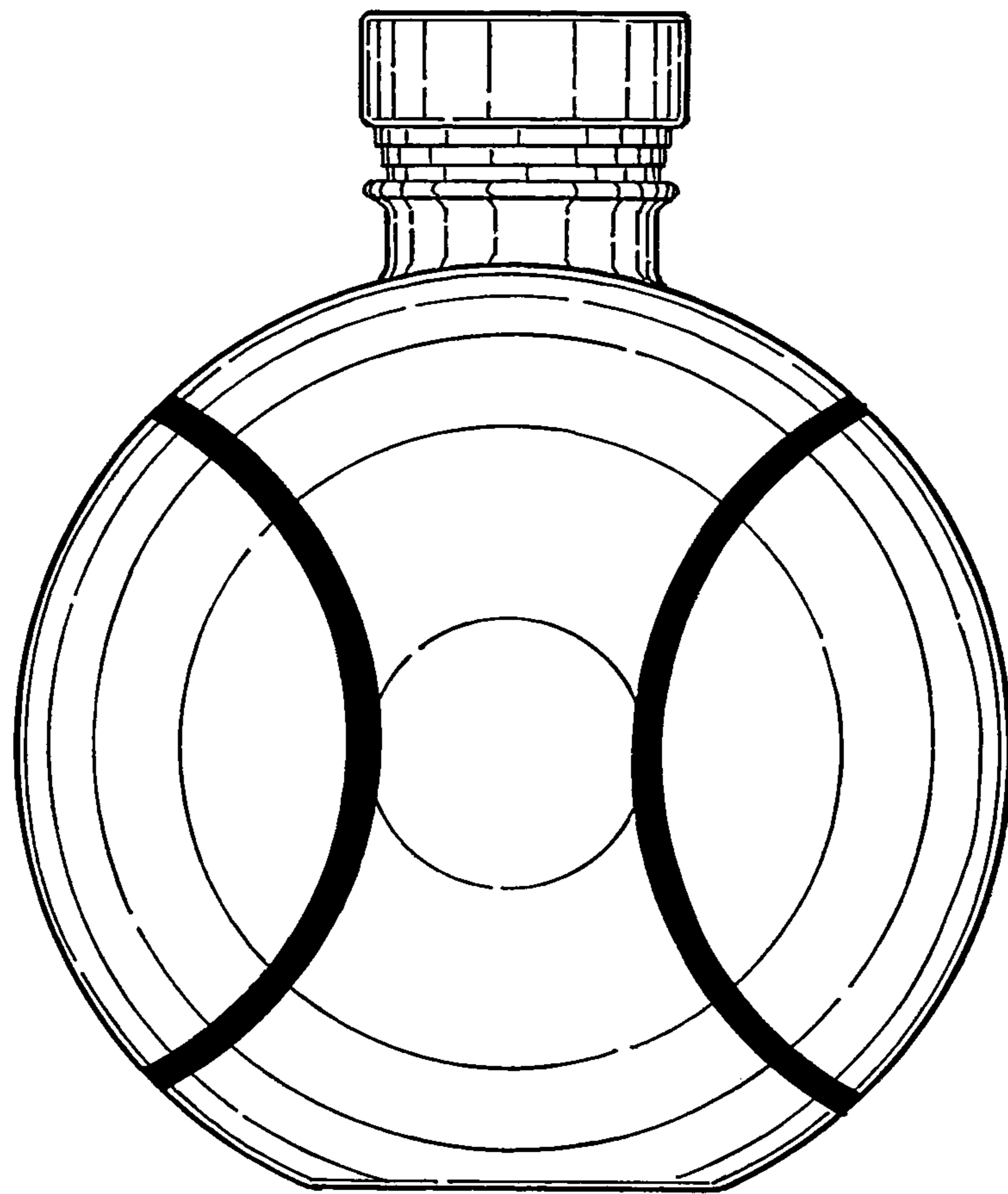


FIG.2

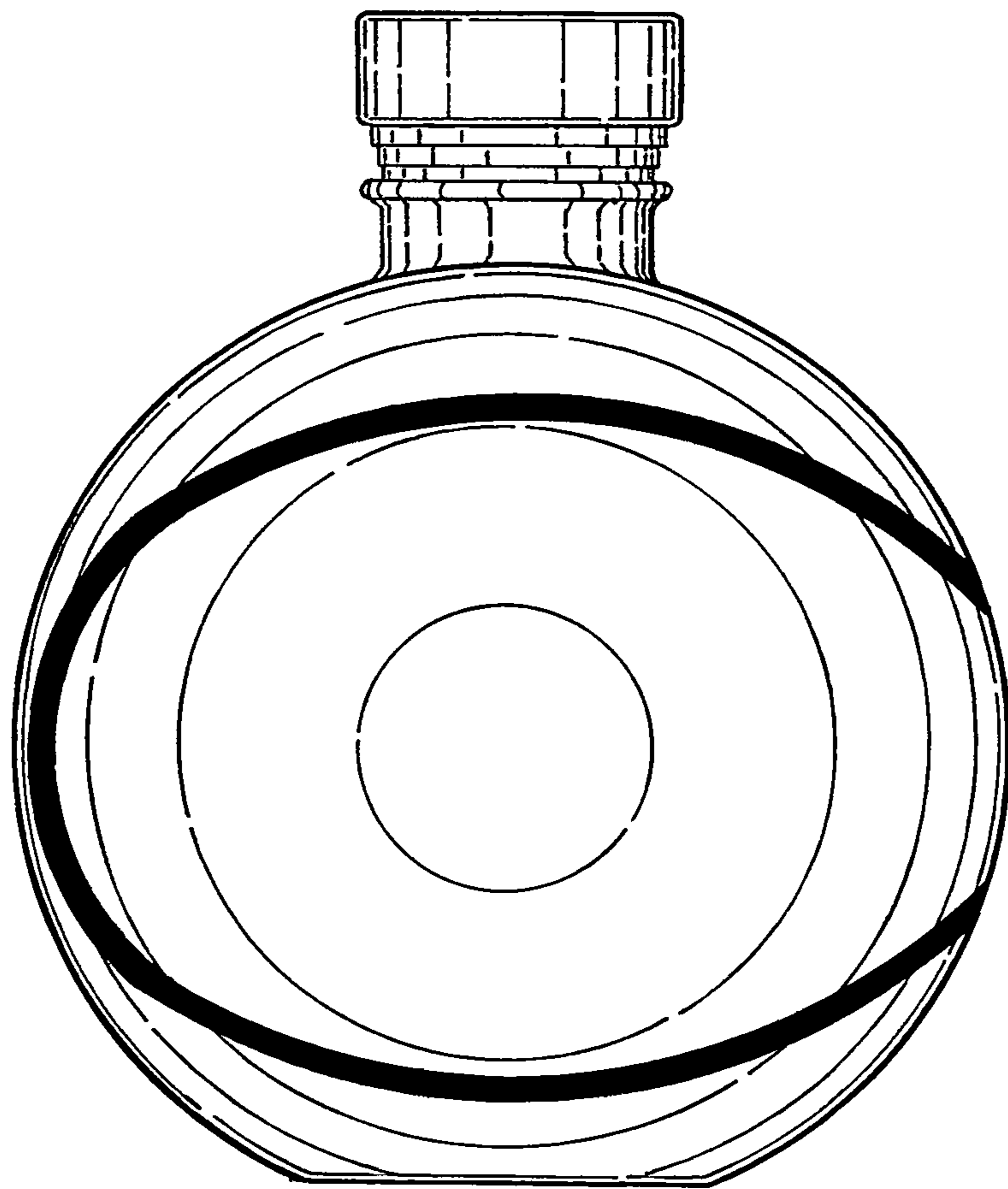


FIG.3

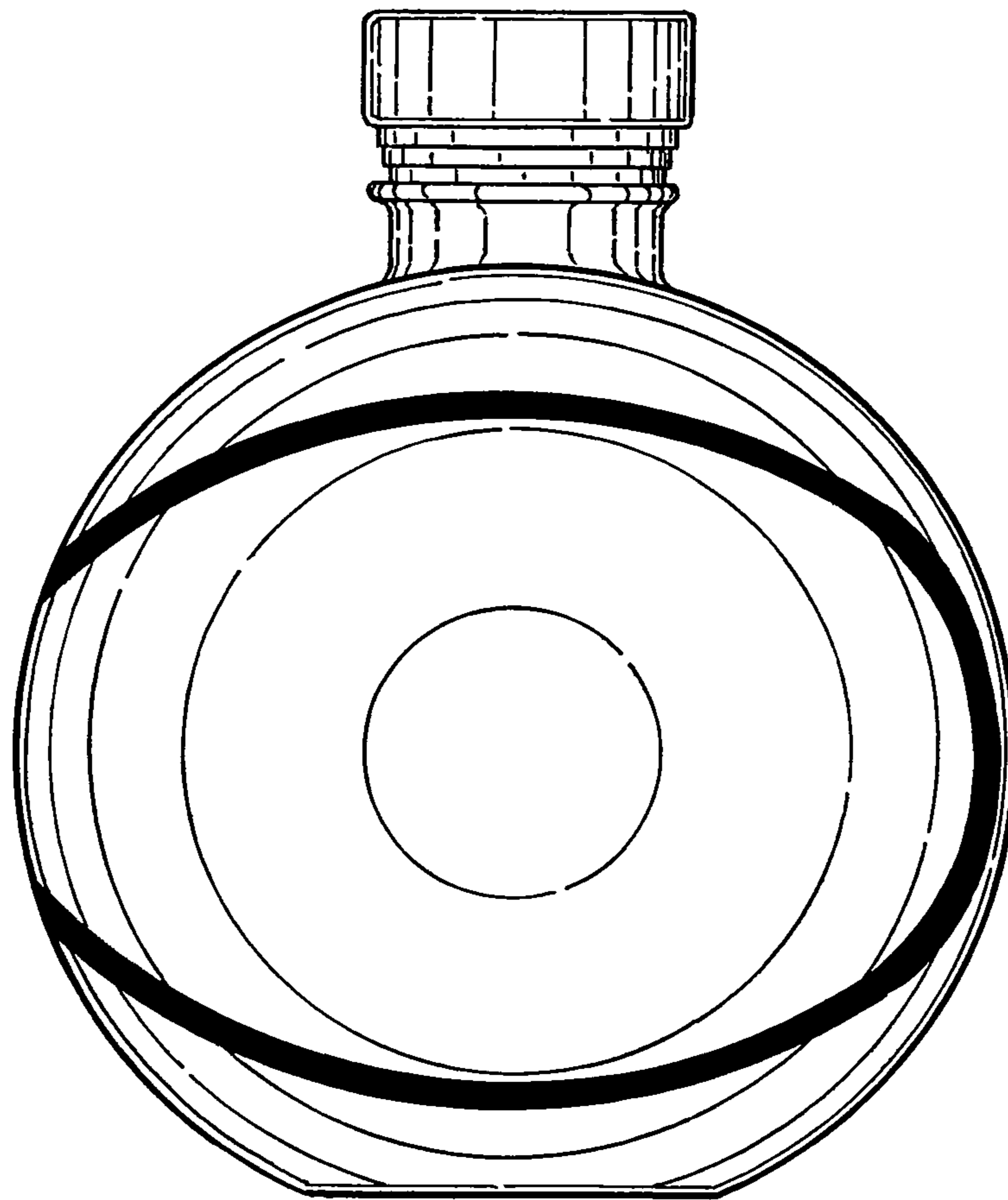


FIG. 4

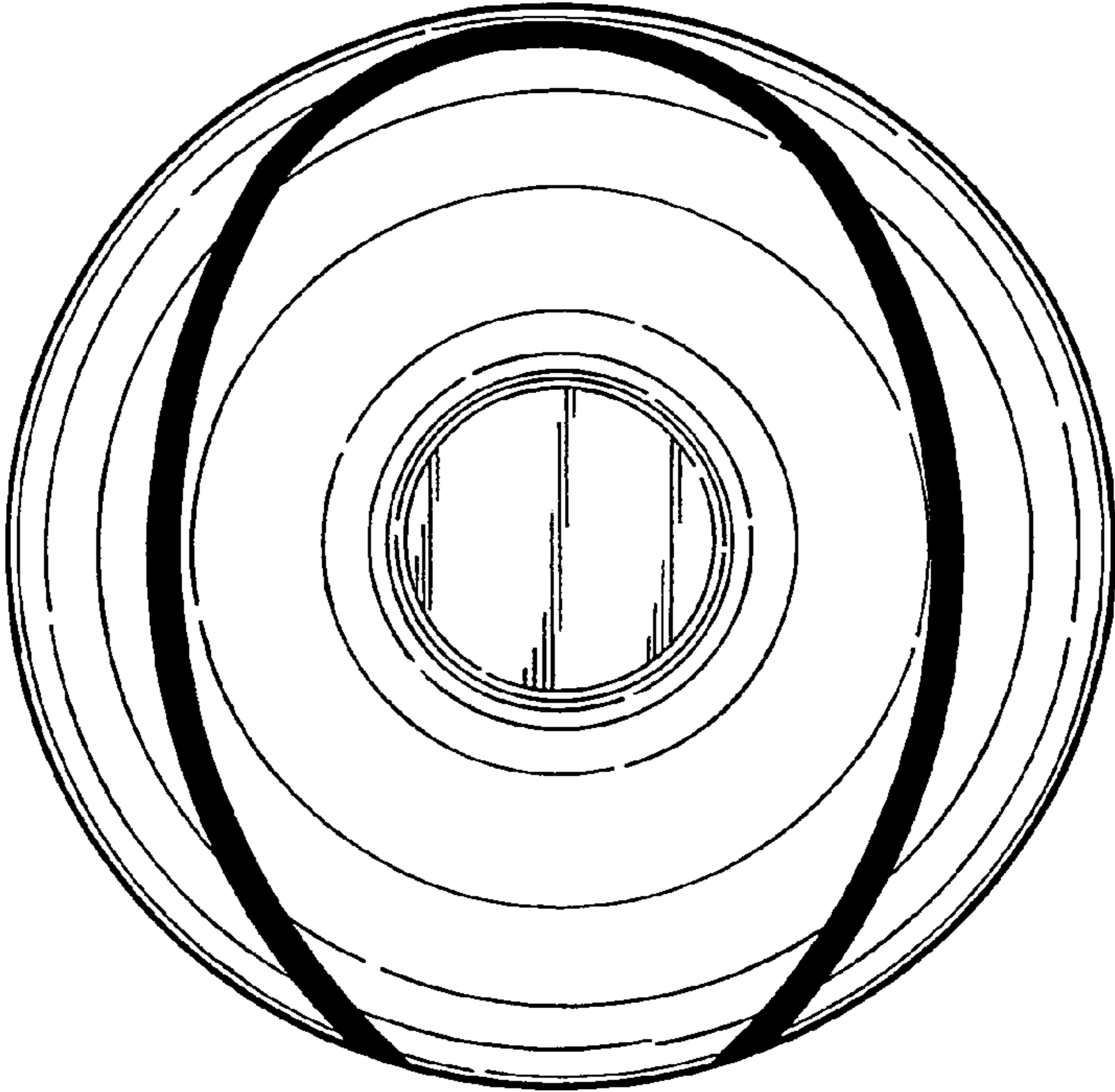


FIG.5

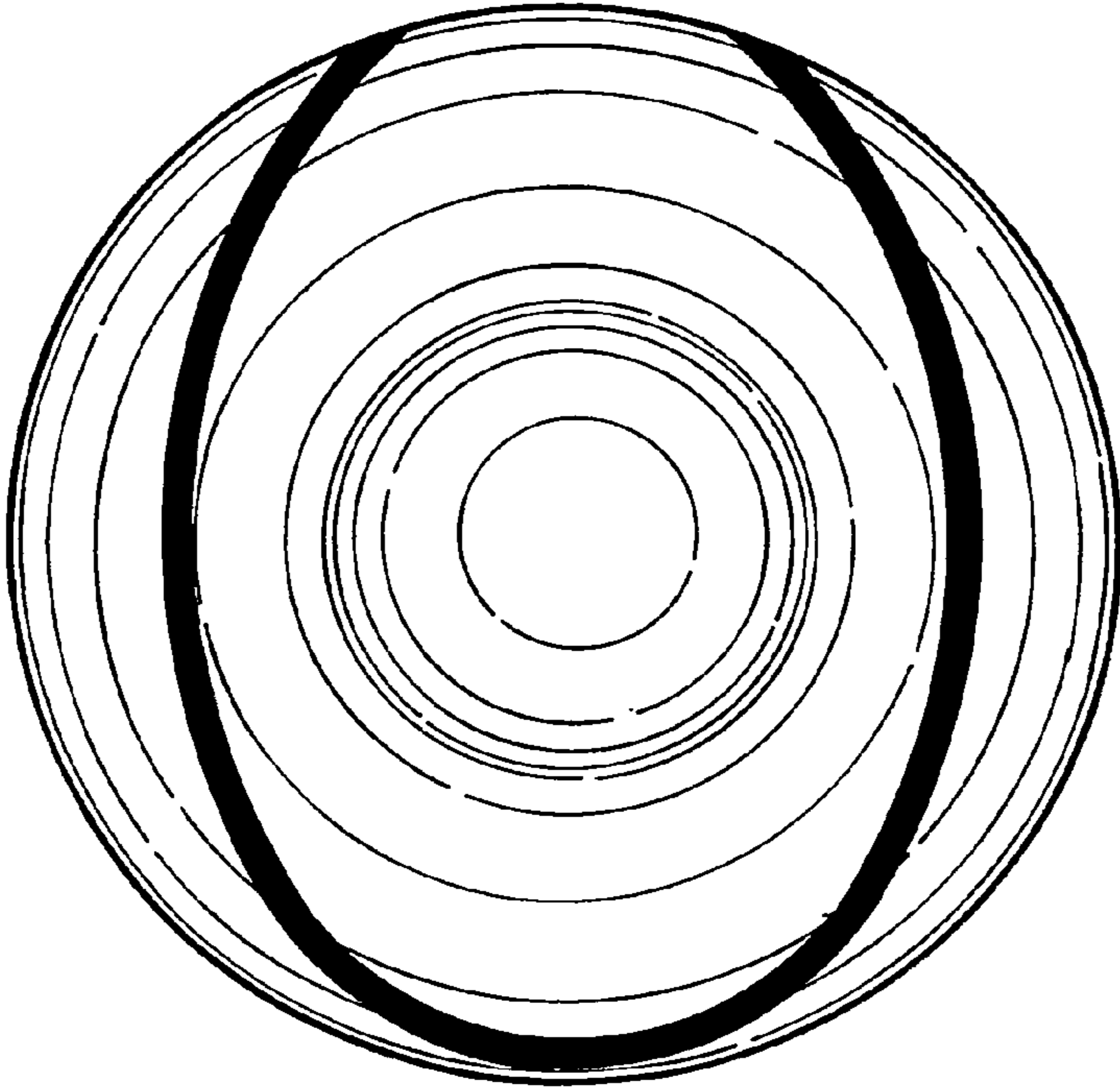


FIG.6