

US00D704564S

(12) **United States Design Patent**
Limback et al.

(10) **Patent No.:** **US D704,564 S**
(45) **Date of Patent:** **** May 13, 2014**

- (54) **C-SHAPED BLISTER CARD**
- (71) Applicant: **Aventisub II Inc.**, Greenville, DE (US)
- (72) Inventors: **Nancy Limback**, Bridgewater, NJ (US);
Donald Edward Luzynski, Bridgewater, NJ (US)
- (73) Assignee: **Aventisub II Inc.**, Greenville, DE (US)
- (**) Term: **14 Years**
- (21) Appl. No.: **29/467,314**
- (22) Filed: **Sep. 18, 2013**

Related U.S. Application Data

- (62) Division of application No. 29/428,730, filed on Aug. 2, 2012.
- (51) **LOC (10) Cl.** **09-01**
- (52) **U.S. Cl.**
USPC **D9/652; D9/732**
- (58) **Field of Classification Search**
USPC D9/600, 652, 730-733, 414-415, 420,
D9/423-426; 206/457, 461-471, 495, 531,
206/539
See application file for complete search history.

(56) **References Cited**

U.S. PATENT DOCUMENTS

- D81,620 S 7/1930 Blunt
- D240,391 S 7/1976 Koenigsberg

- D262,190 S * 12/1981 Stanton D9/732
- D313,182 S 12/1990 Diepois
- D437,777 S * 2/2001 Wootton D9/415
- D517,414 S 3/2006 Abadinsky
- D594,753 S * 6/2009 Eadicicco et al. D9/732
- D631,366 S * 1/2011 Vuong D9/652
- D654,805 S 2/2012 Lua
- D659,018 S * 5/2012 Kemner D9/732

OTHER PUBLICATIONS

Notice of Allowance dated Oct. 21, 2013 issued in Design U.S. Appl. No. 29/428,730.

* cited by examiner

Primary Examiner — Sandra Morris

(74) *Attorney, Agent, or Firm* — Scully, Scott, Murphy & Presser, P.C.

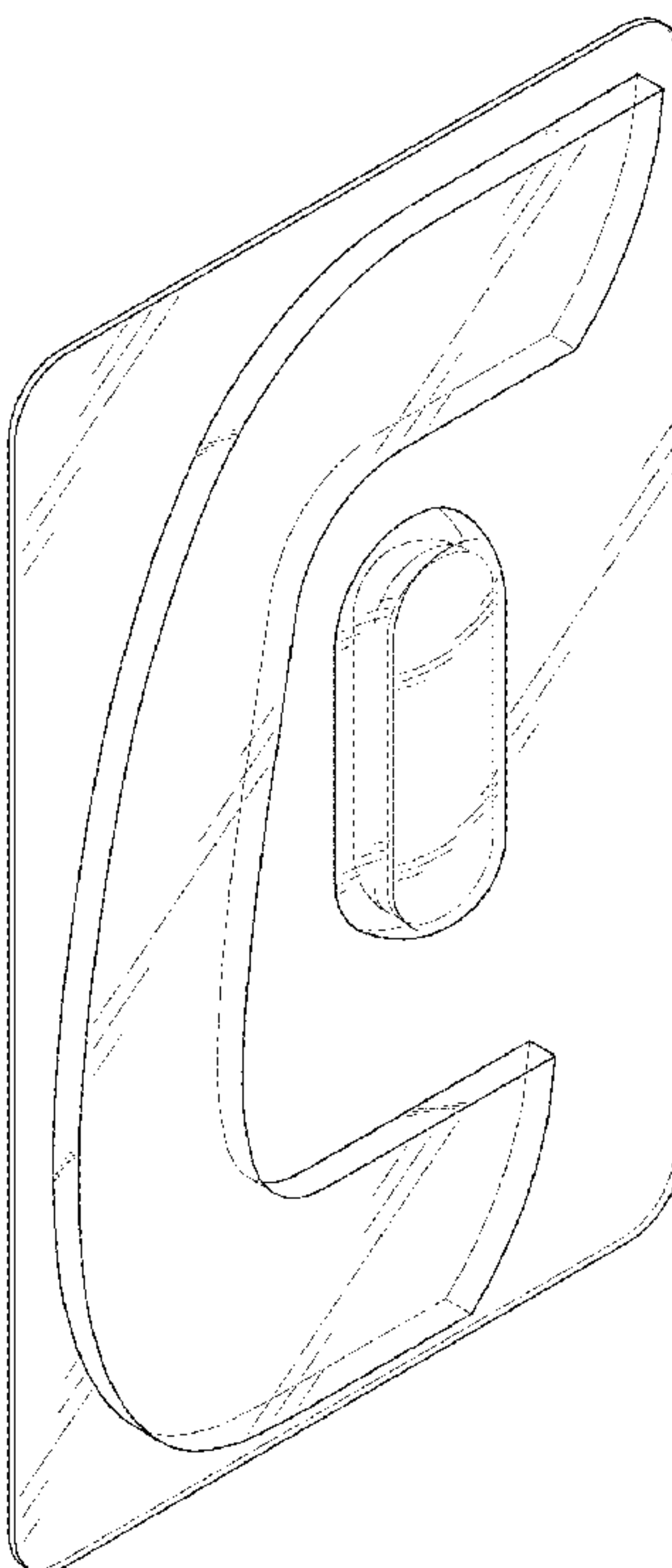
(57) **CLAIM**

The ornamental design for a C-shaped blister card, as shown.

DESCRIPTION

FIG. 1 is a perspective view of a C-shaped blister card showing our new design;
FIG. 2 is a front elevation view thereof;
FIG. 3 is a rear elevation view thereof;
FIG. 4 is a side elevation view thereof;
FIG. 5 is an opposite side elevation view thereof;
FIG. 6 is a top view thereof; and,
FIG. 7 is a bottom view thereof.

1 Claim, 5 Drawing Sheets



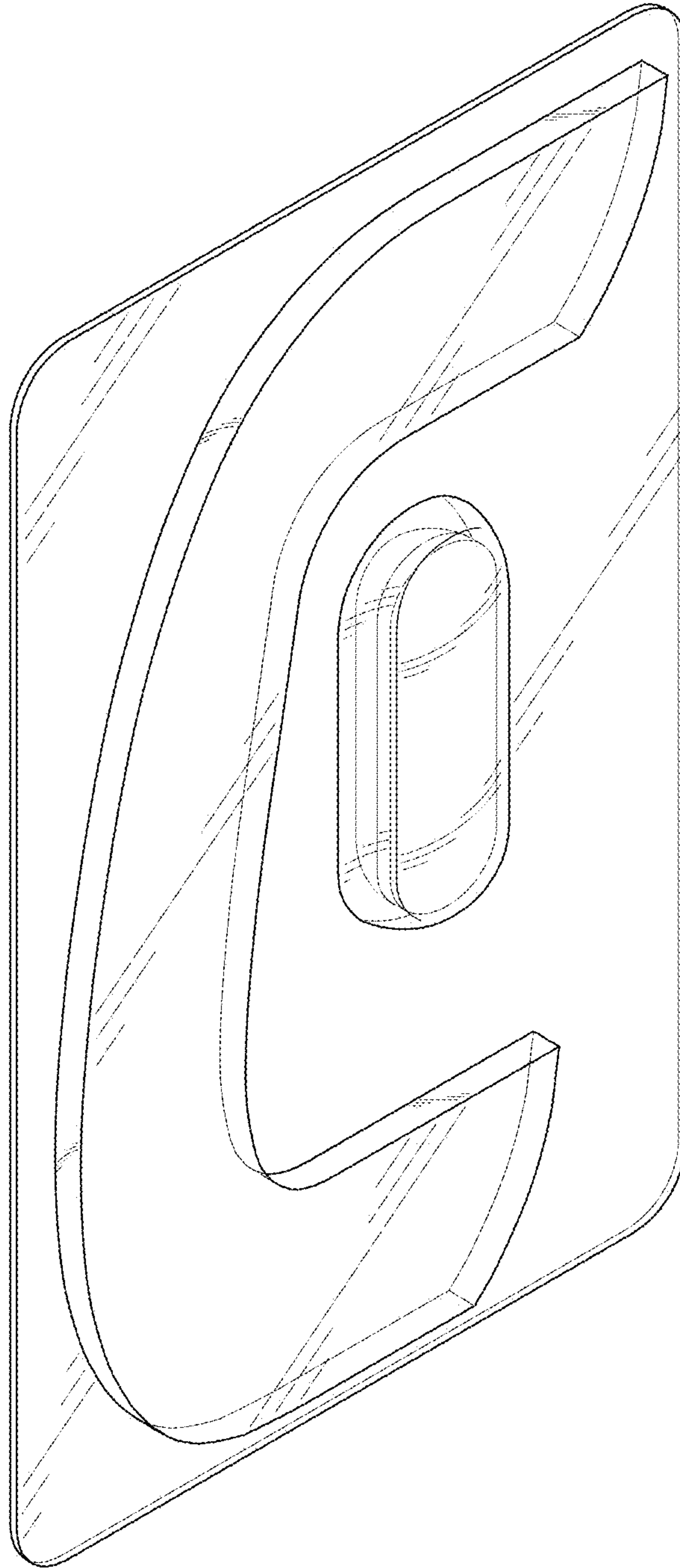


FIG. 1

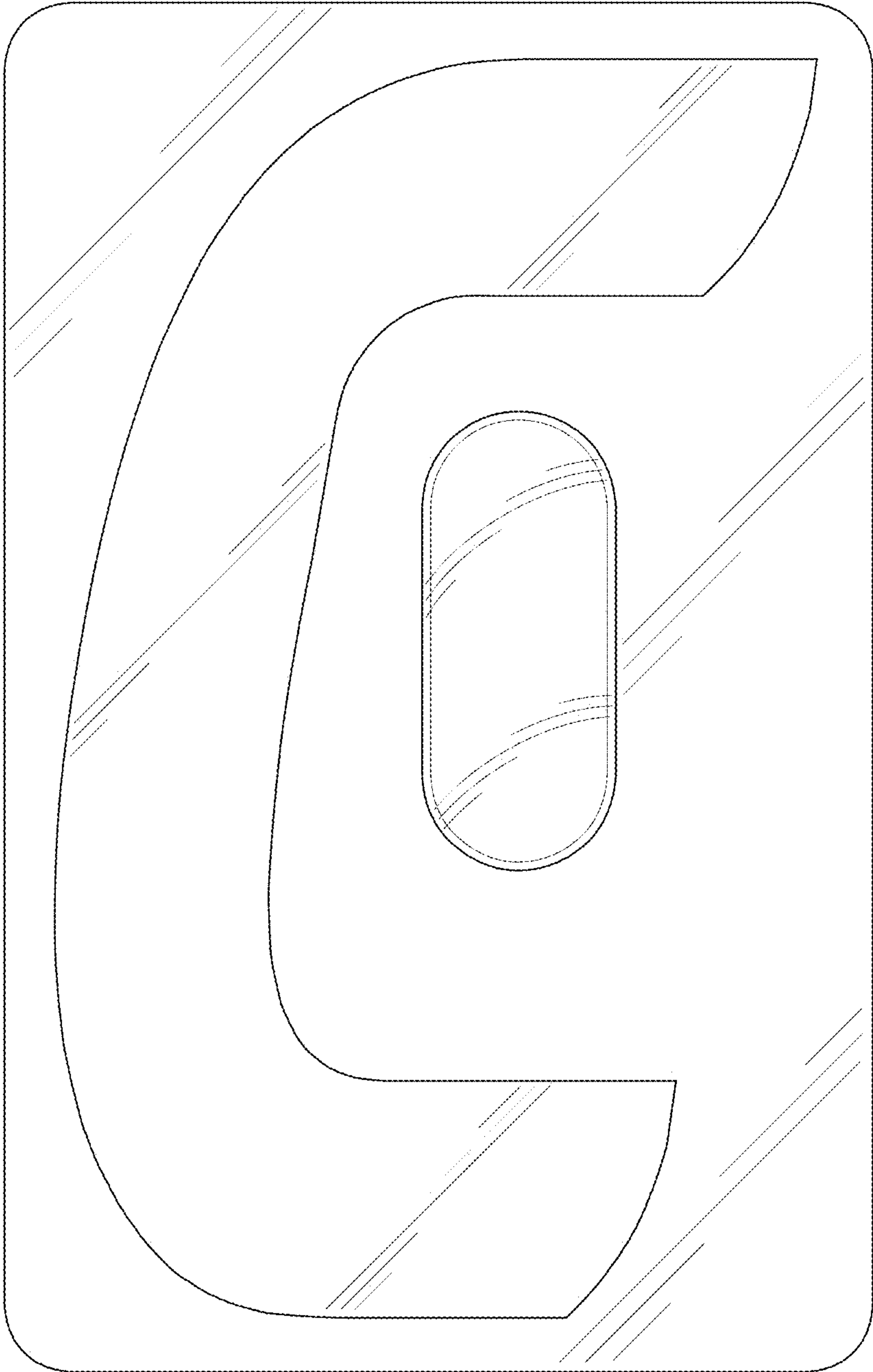


FIG. 2

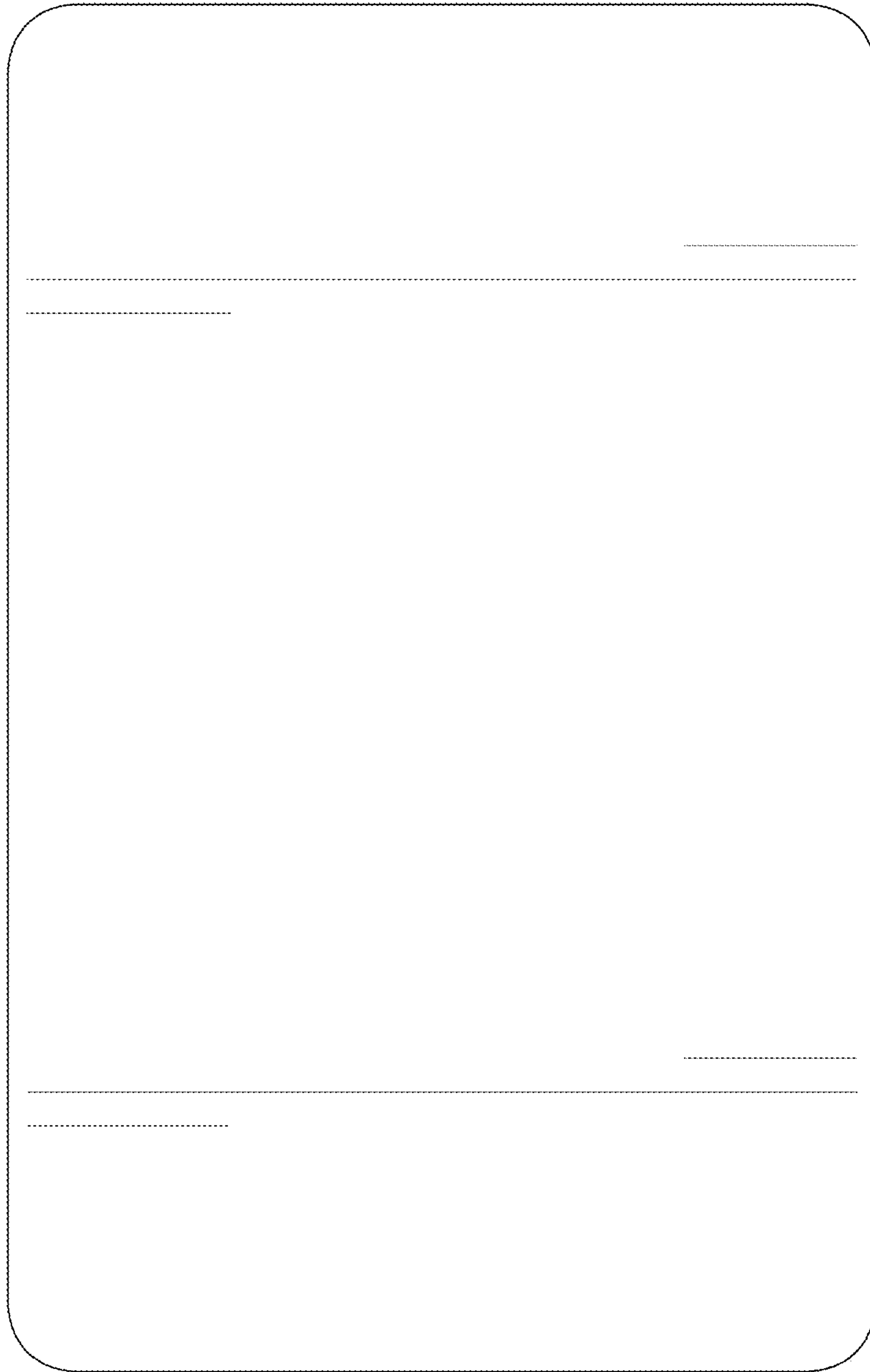


FIG. 3

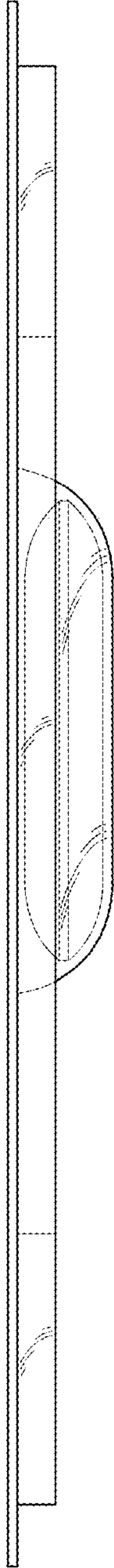


FIG. 4

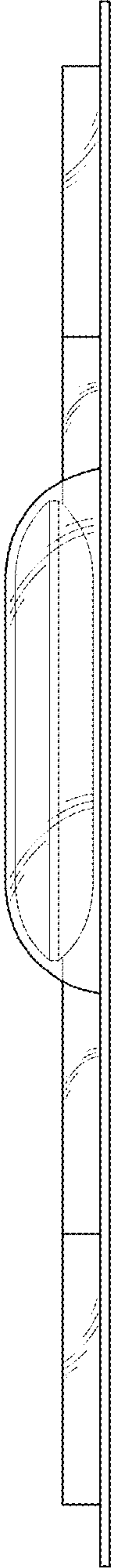


FIG. 5

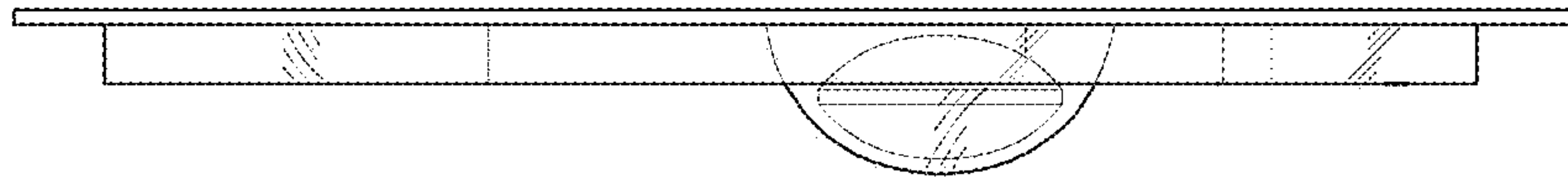


FIG. 6

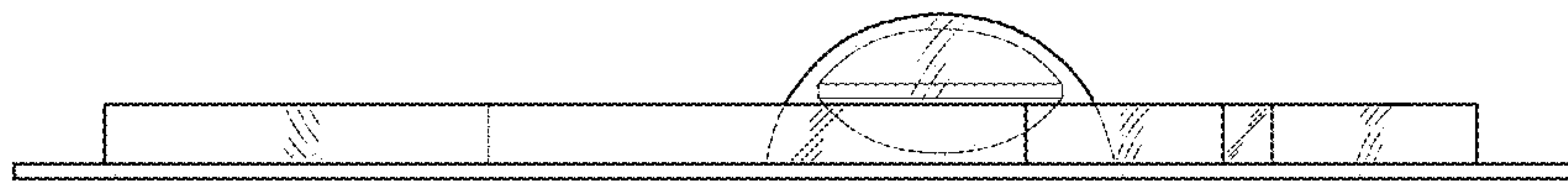


FIG. 7