



US00D704556S

(12) **United States Design Patent**
van den Hoonard

(10) **Patent No.:** **US D704,556 S**

(45) **Date of Patent:** **** May 13, 2014**

(54) **CAP CLOSURE COVER**

(71) Applicant: **Paul Edwin van den Hoonard**,
Peachtree City, GA (US)

(72) Inventor: **Paul Edwin van den Hoonard**,
Peachtree City, GA (US)

(73) Assignee: **IPN IP B.V.**, Houten (NL)

(**) Term: **14 Years**

(21) Appl. No.: **29/437,757**

(22) Filed: **Nov. 20, 2012**

(51) **LOC (10) Cl.** **09-07**

(52) **U.S. Cl.**
USPC **D9/451**

(58) **Field of Classification Search**
USPC D7/514-520, 613, 619.2, 623, 628,
D7/392.1; D9/600, 655-664, 434-435,
D9/441, 443, 451; 206/494, 457, 459.1,
206/459.5; 215/230, 400
See application file for complete search history.

(56) **References Cited**

U.S. PATENT DOCUMENTS

D141,003 S * 4/1945 Derham D9/451
D157,262 S * 2/1950 Jung D9/451

D352,906 S * 11/1994 Gobe D9/663
D412,276 S * 7/1999 Arslanian D9/661
D494,855 S * 8/2004 McElligott D9/663
D535,879 S * 1/2007 Crawford et al. D9/451
D546,684 S * 7/2007 Crawford et al. D9/451
D682,694 S * 5/2013 van den Hoonard D9/451
D687,714 S * 8/2013 De Wilde et al. D9/451

* cited by examiner

Primary Examiner — Sandra Morris

(74) *Attorney, Agent, or Firm* — Troutman Sanders LLP;
Ryan A. Schneider

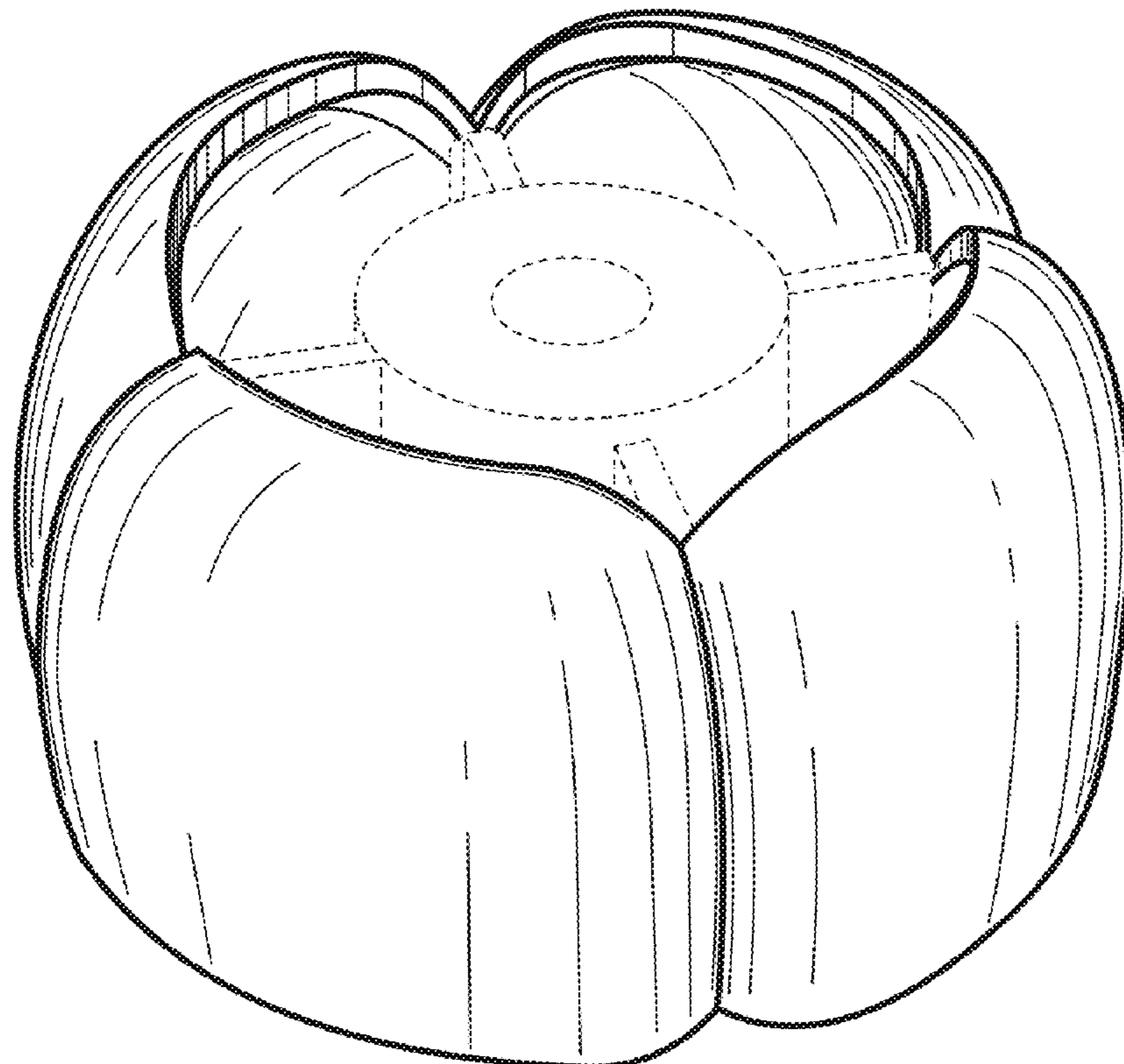
(57) **CLAIM**

The ornamental design for a cap closure cover, as shown and described.

DESCRIPTION

FIG. 1. is a perspective view of a cap closure cover, showing my new invention;
FIG. 2. is a bottom perspective view thereof;
FIG. 3. is a top view thereof;
FIG. 4. is a front view thereof; and,
FIG. 5. is a side view thereof.
The dashed lines are for illustrative purposes only and do not form part of the invention.

1 Claim, 2 Drawing Sheets



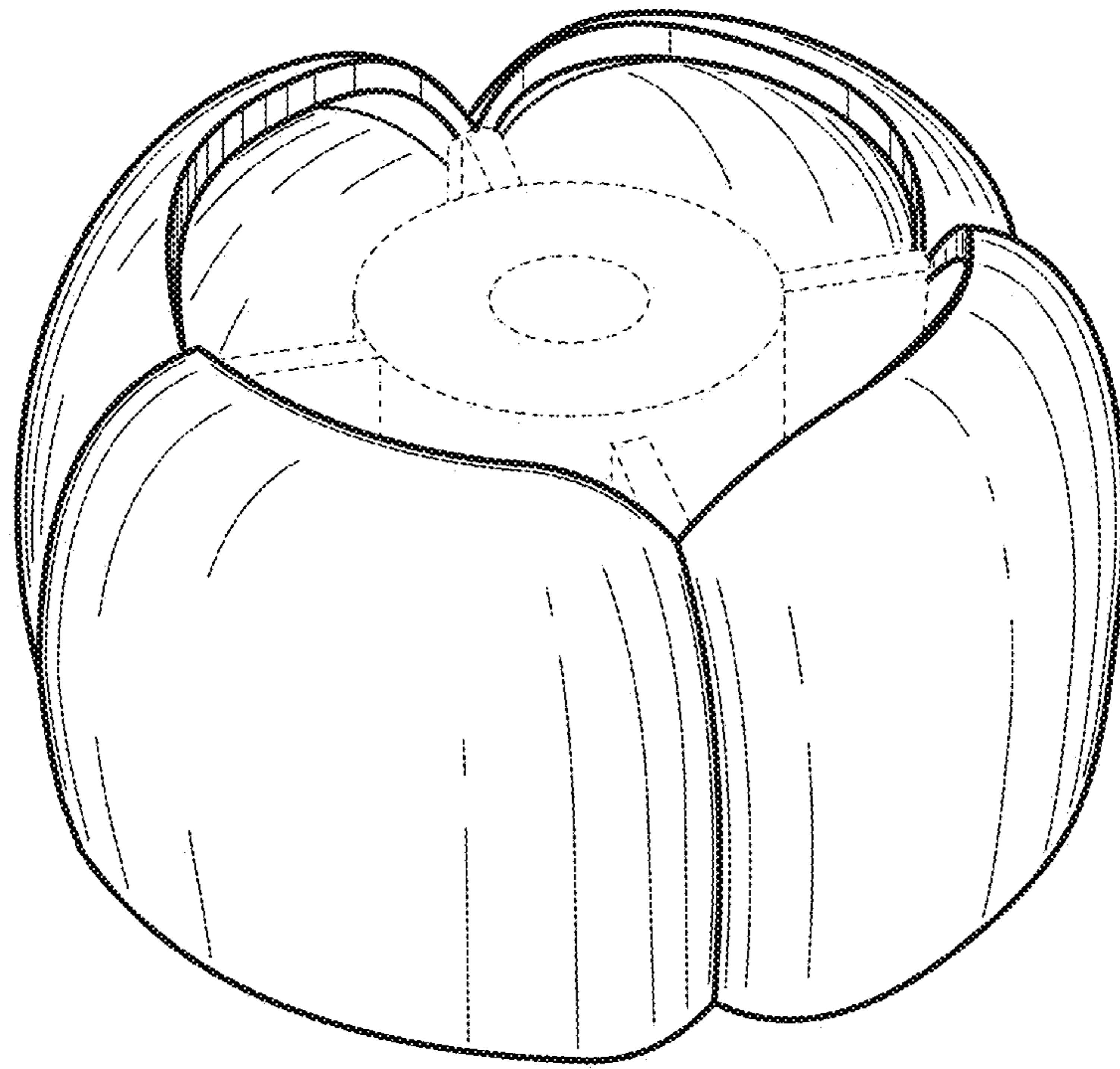


FIG. 1

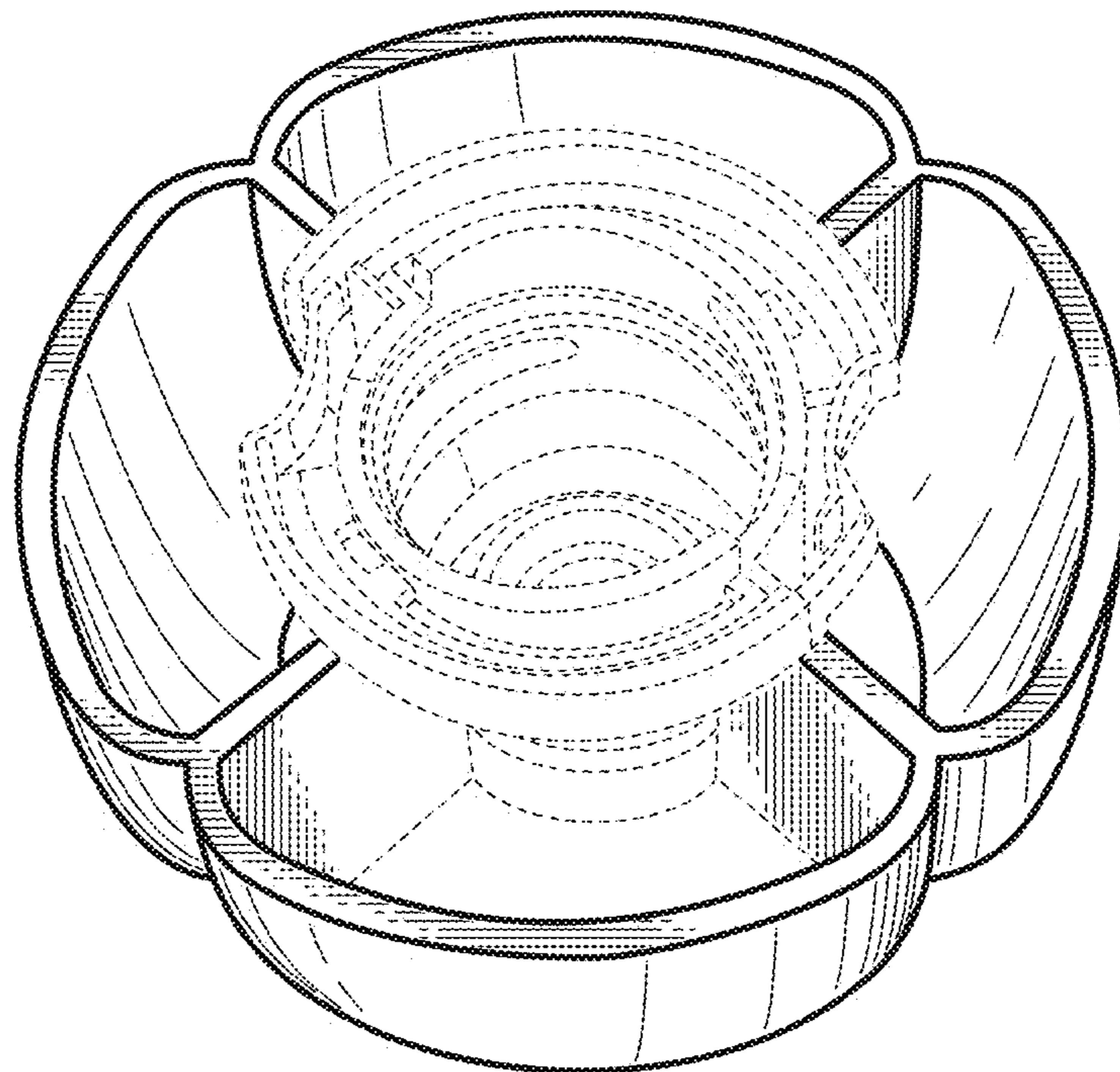


FIG. 2

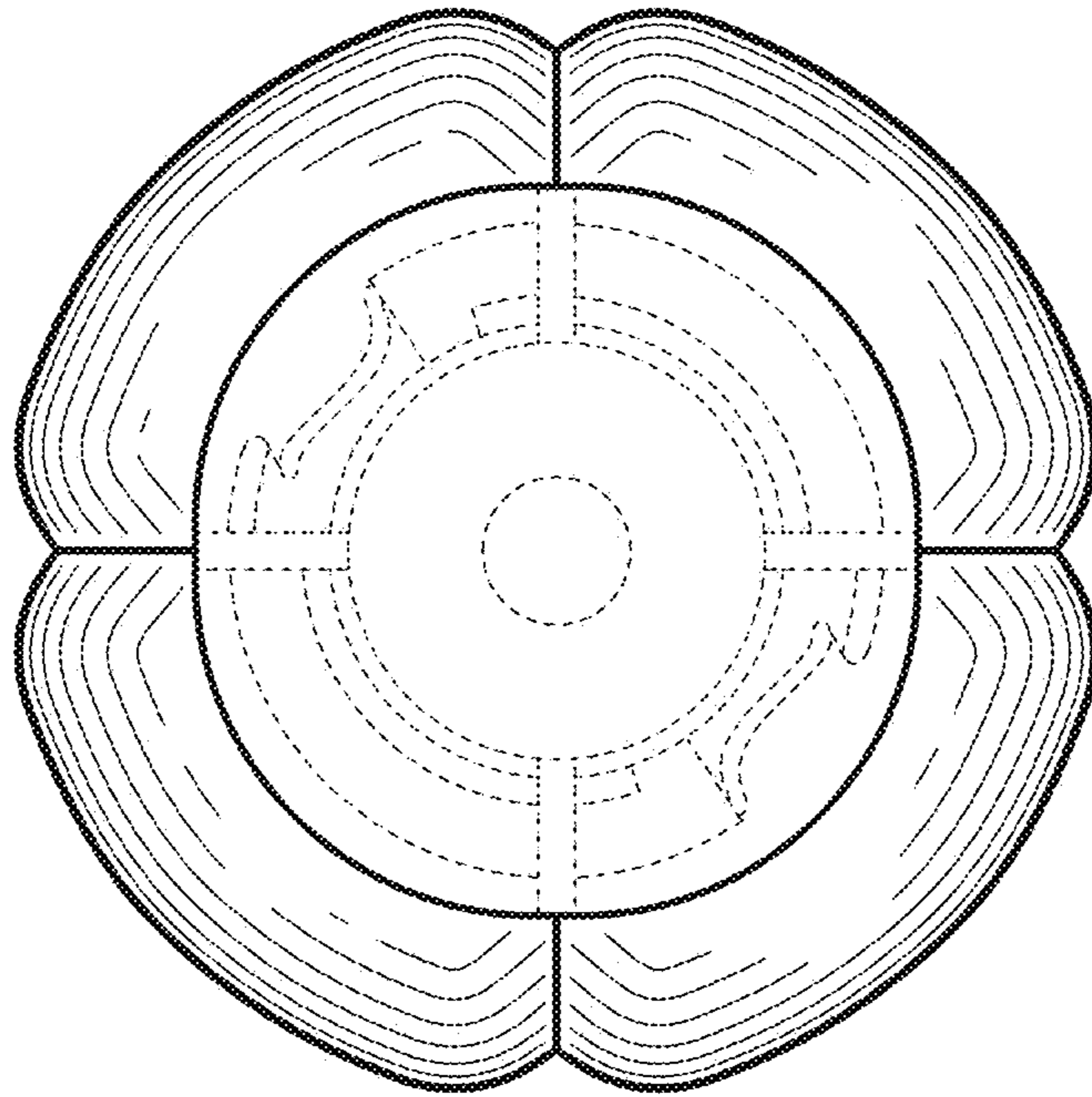


FIG. 3

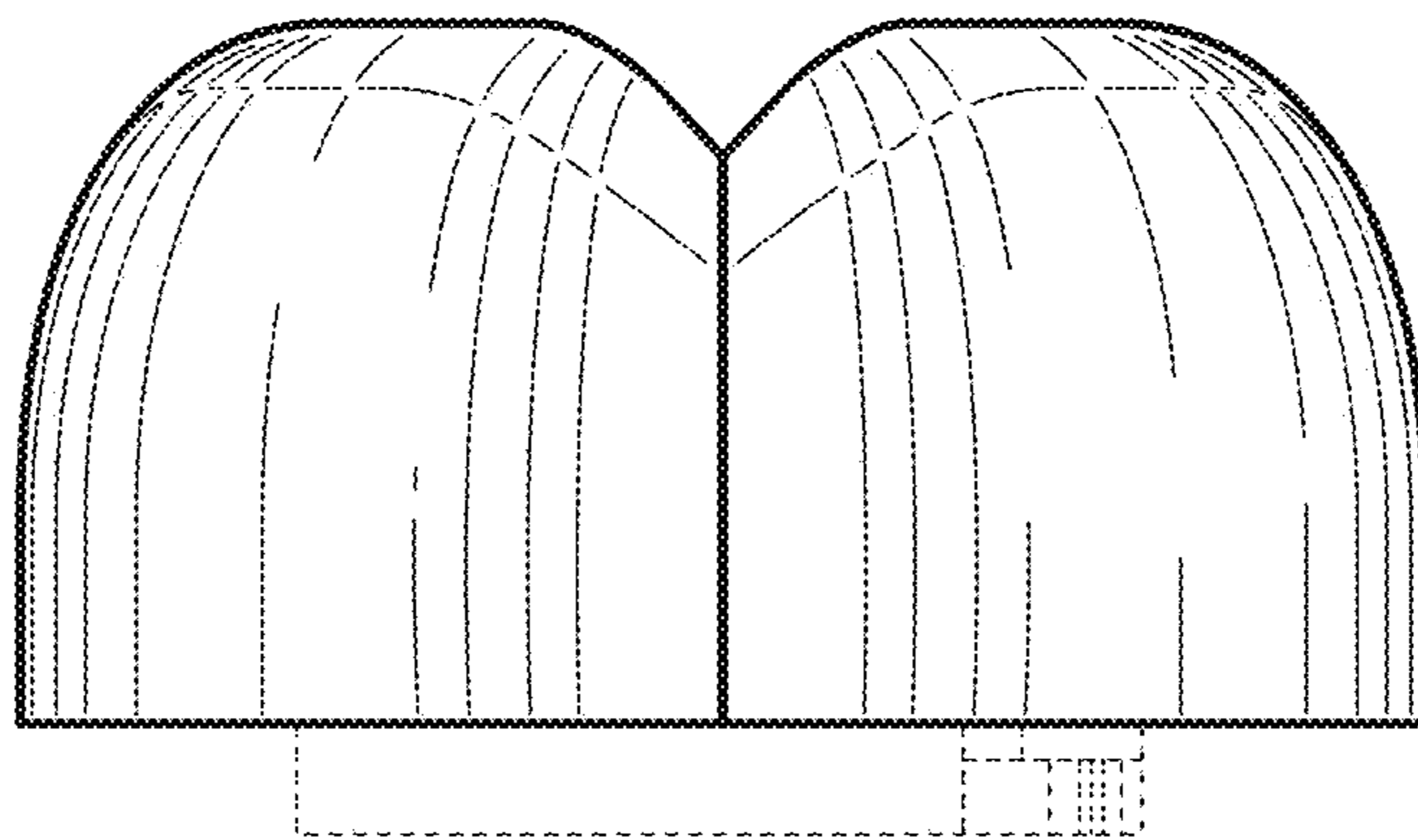


FIG. 4

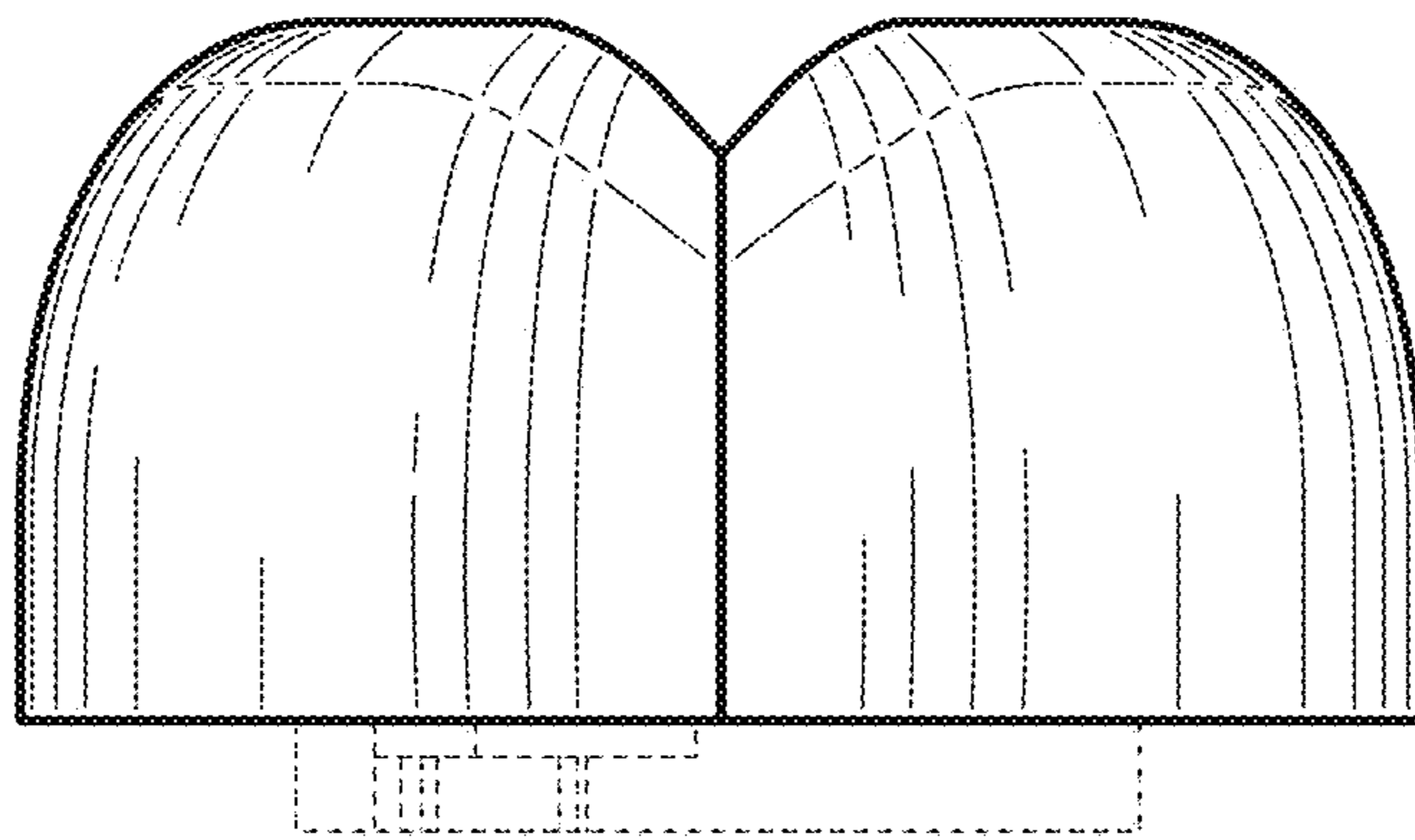


FIG. 5