



US00D704555S

(12) **United States Design Patent**
Hernandez

(10) **Patent No.:** **US D704,555 S**

(45) **Date of Patent:** **** May 13, 2014**

(54) **BEVERAGE CAN**

(76) Inventor: **German Chavez Hernandez, Juarez**
(MX)

(**) Term: **14 Years**

(21) Appl. No.: **29/427,458**

(22) Filed: **Jul. 18, 2012**

(51) **LOC (10) Cl.** **09-07**

(52) **U.S. Cl.**
USPC **D9/438**

(58) **Field of Classification Search**
USPC D7/328; D9/434, 435, 436, 437, 438,
D9/441, 446, 447, 449, 451, 502, 518, 520,
D9/763, 772, 780; 215/255; 220/253, 266,
220/269, 271, 273, 906; 413/8
See application file for complete search history.

(56) **References Cited**

U.S. PATENT DOCUMENTS

4,333,581	A	6/1982	Flansburg	
D365,988	S *	1/1996	Clarke, III	D9/438
D382,481	S *	8/1997	McEldowney	D9/438
D387,987	S *	12/1997	Neiner	D9/438
5,711,448	A *	1/1998	Clarke, III	220/269
D396,635	S *	8/1998	McEldowney	D9/438
D397,296	S *	8/1998	McEldowney et al.	D9/438
5,885,635	A	3/1999	Spring et al.	
D415,026	S *	10/1999	Turner et al.	D9/438
6,050,440	A *	4/2000	McEldowney	220/269
D431,469	S *	10/2000	Solland et al.	D9/772
D432,015	S *	10/2000	Holiday	D9/772
D434,983	S *	12/2000	Hurst	D9/438
D448,666	S *	10/2001	Fields	D9/438
6,889,862	B2 *	5/2005	Vaughan	220/269

7,000,797	B2 *	2/2006	Forrest et al.	220/269
7,165,696	B2 *	1/2007	Neiner	220/269
D603,722	S *	11/2009	Reimer	D9/766
D604,181	S *	11/2009	Reimer	D9/766
D605,060	S *	12/2009	Reimer	D9/766
D623,963	S *	9/2010	Fairchild et al.	D9/772

FOREIGN PATENT DOCUMENTS

ES	2143353	B1	5/2000
MX	u/2010/000223		5/2012

* cited by examiner

Primary Examiner — Susan Bennett Hattan

Assistant Examiner — Leanne Was

(74) *Attorney, Agent, or Firm* — Gardner, Linn, Burkhardt & Flory, LLP

(57) **CLAIM**

The ornamental design for a beverage can, as shown and described.

DESCRIPTION

FIG. 1 is a top perspective view of a beverage can showing my new design;

FIG. 2 is an enlarged top perspective view of an upper portion of the beverage can of FIG. 1;

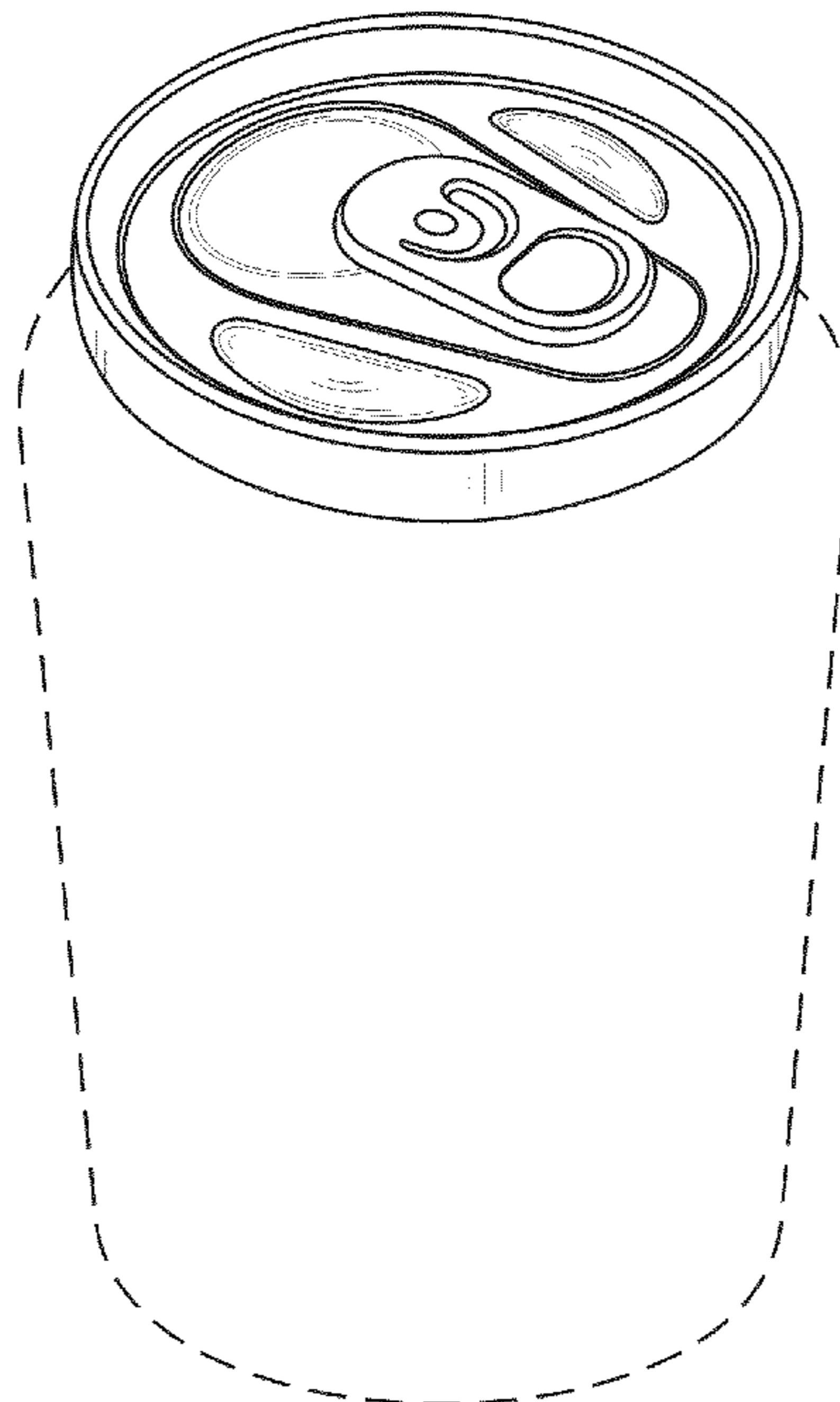
FIG. 3 is a top plan view of the beverage can of FIG. 1;

FIG. 4 is a bottom plan view of the beverage can of FIG. 1; and,

FIG. 5 is a side elevation of the beverage can of FIG. 1, wherein the other side elevations of the beverage can are identical thereto.

The broken lines are included for the purpose of illustrating portions of the beverage can that form no part of the claimed design.

1 Claim, 4 Drawing Sheets



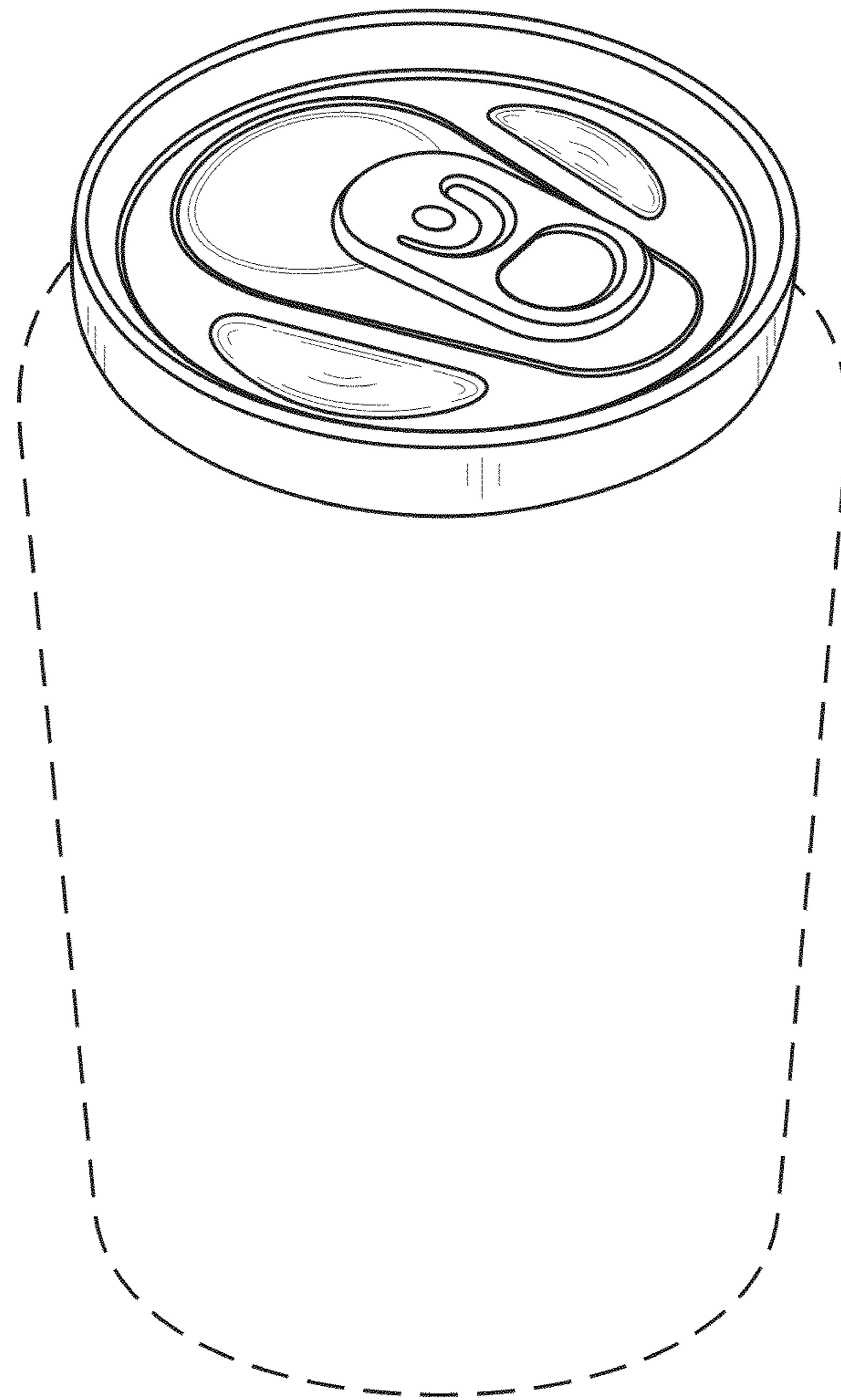


FIG. 1

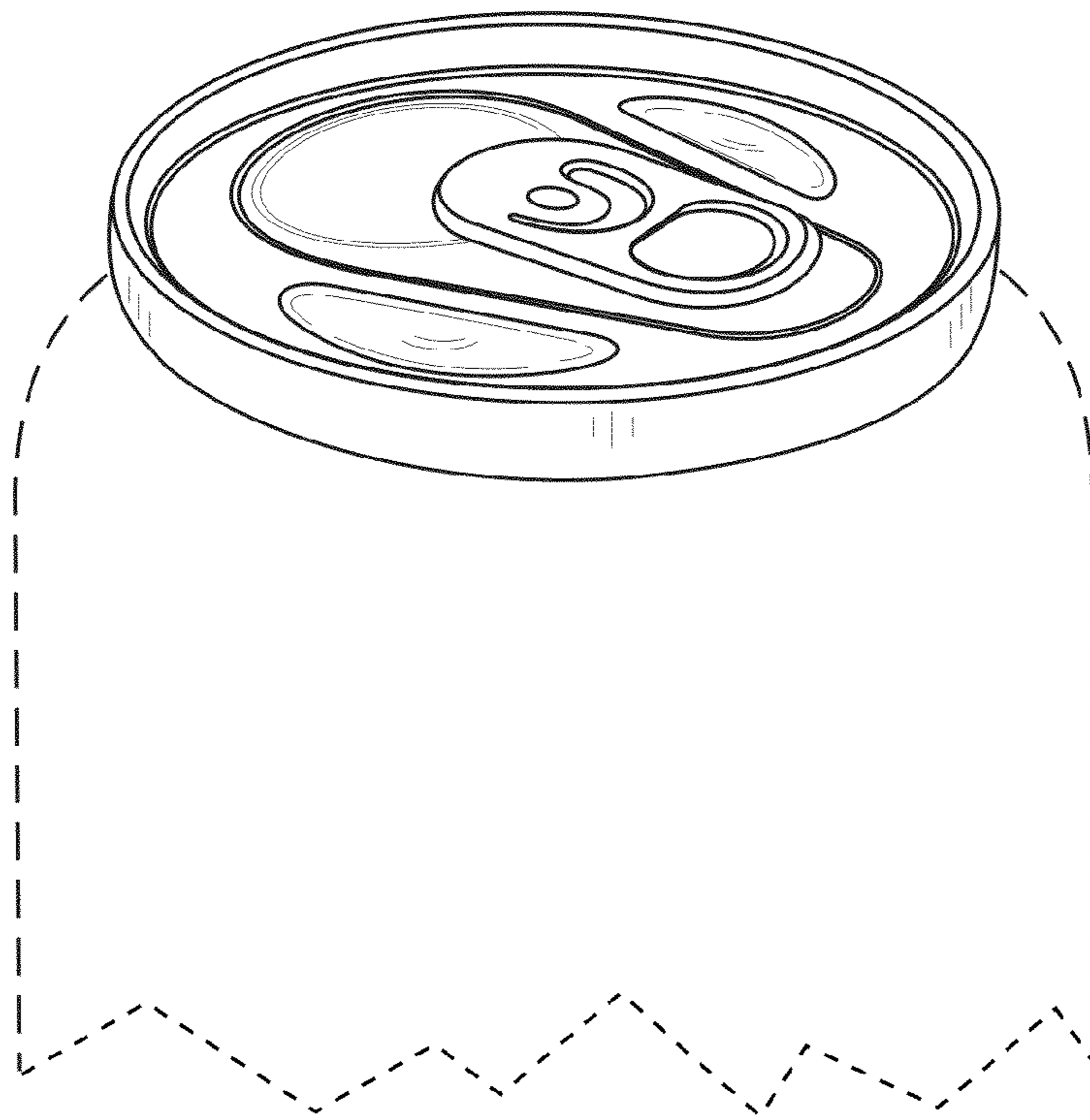


FIG. 2

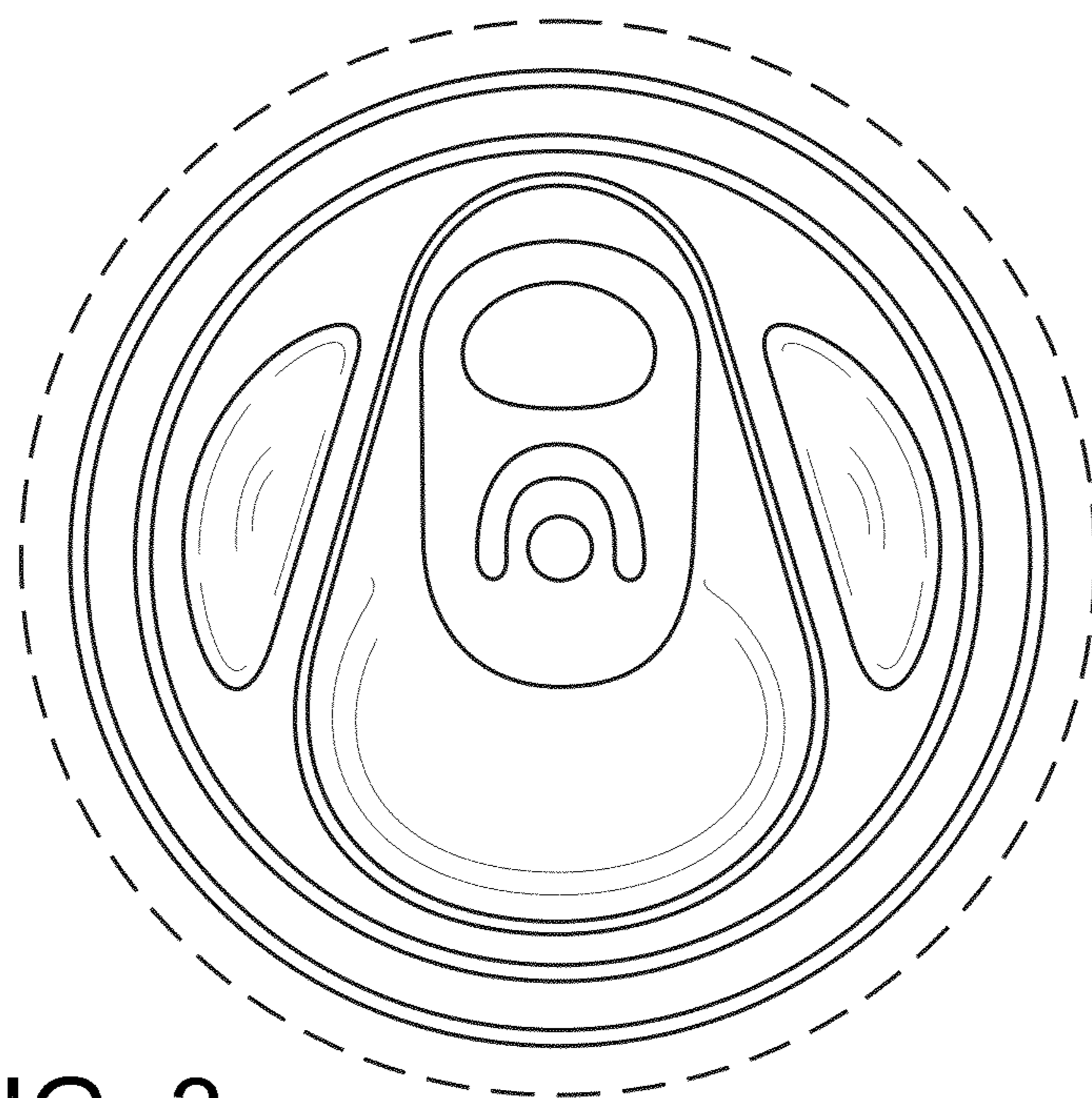


FIG. 3

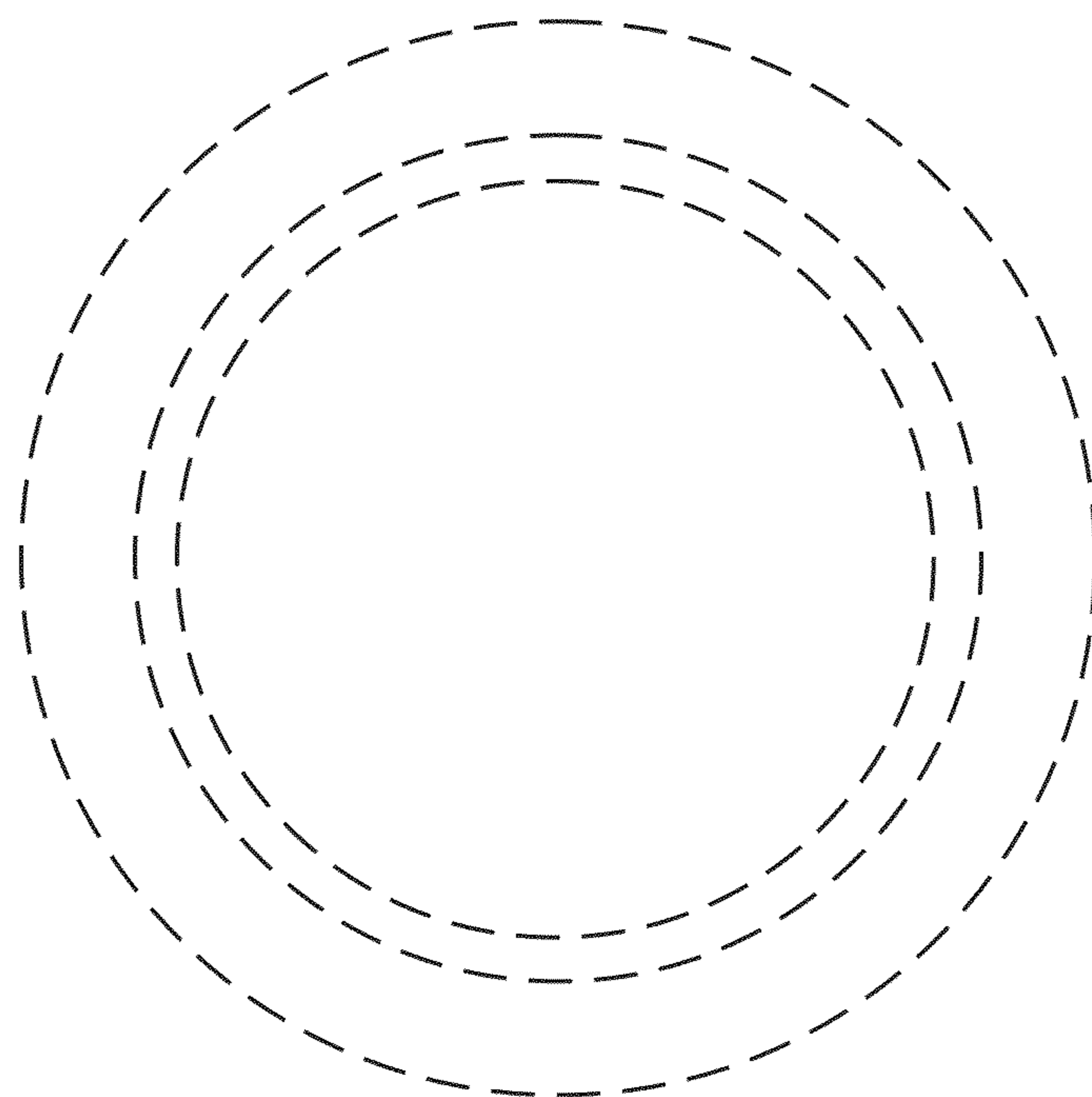


FIG. 4

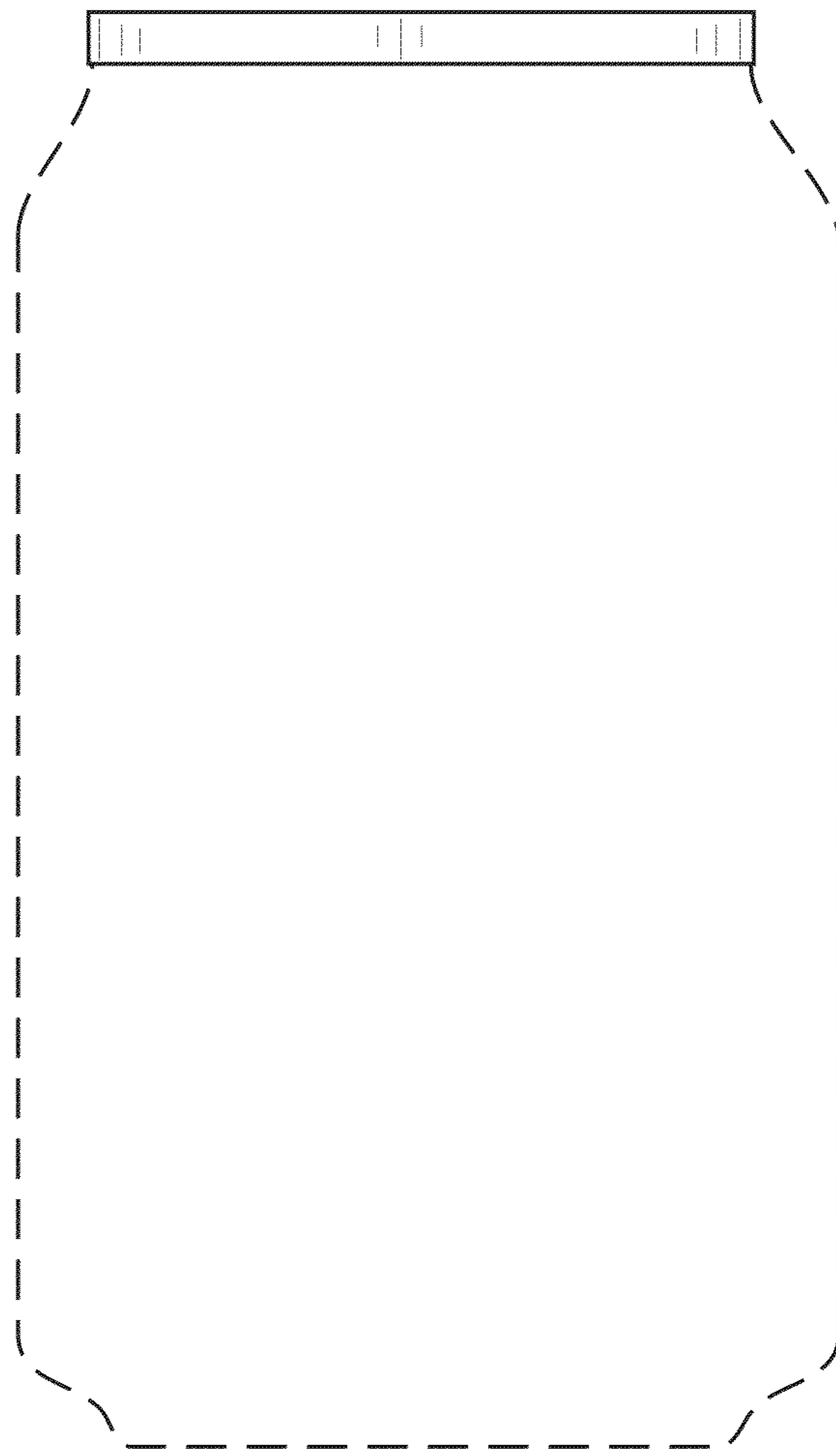


FIG. 5