



US00D704554S

(12) **United States Design Patent**
Baird

(10) **Patent No.:** **US D704,554 S**

(45) **Date of Patent:** **** May 13, 2014**

- (54) **LUGGED CAP ASSEMBLY**
- (75) Inventor: **Michael Baird**, Temecula, CA (US)
- (73) Assignee: **Halcyon International, LLC.**,
Temecula, CA (US)
- (**) Term: **14 Years**
- (21) Appl. No.: **29/423,724**
- (22) Filed: **Jun. 4, 2012**
- (51) **LOC (10) Cl.** **09-07**
- (52) **U.S. Cl.**
USPC **D9/435; D9/447; D9/452**
- (58) **Field of Classification Search**
USPC D9/435, 436, 438, 439, 443, 445, 447,
D9/451, 452, 453, 454, 629, 705, 708,
D9/709; D24/224, 197; 220/288; 222/556,
222/525
See application file for complete search history.

7,695,619	B2	4/2010	Kurth et al.	
D617,189	S *	6/2010	Casey et al.	D9/447
D617,639	S *	6/2010	Casey et al.	D9/447
D618,098	S *	6/2010	Casey et al.	D9/447
D632,173	S *	2/2011	Makita	D9/447
D634,195	S *	3/2011	McKinney et al.	D9/447
D637,490	S *	5/2011	McKinney et al.	D9/447
D656,622	S *	3/2012	Gasser et al.	D24/224
2003/0029890	A1 *	2/2003	Olechowski et al.	222/525
2003/0066850	A1 *	4/2003	Young	222/525
2004/0200741	A1 *	10/2004	Cho	206/219
2005/0092785	A1 *	5/2005	Hearld et al.	222/525

FOREIGN PATENT DOCUMENTS

EM 001137400 * 5/2009

* cited by examiner

Primary Examiner — Susan Bennett Hattan

Assistant Examiner — Leanne Was

(74) *Attorney, Agent, or Firm* — Stetina Brunda Garred & Brucker; Lowell Anderson

(56) **References Cited**
U.S. PATENT DOCUMENTS

3,746,171	A	7/1973	Thomsen	
D286,620	S *	11/1986	Schneider	D9/435
4,806,240	A	2/1989	Giordano et al.	
D396,007	S *	7/1998	Palestrant	D9/447
D396,630	S *	8/1998	Lerner	D9/709
D399,423	S *	10/1998	Palestrant	D9/447
5,826,854	A	10/1998	Janvrin et al.	
D440,154	S *	4/2001	Ricard et al.	D9/436
D456,256	S *	4/2002	Paczosa	D9/435
6,458,269	B1	10/2002	Bassett et al.	
6,477,743	B1 *	11/2002	Gross et al.	222/525
6,533,931	B1	3/2003	Reid	
6,874,664	B1 *	4/2005	Montgomery	222/525
D528,417	S *	9/2006	Matsuda et al.	D9/439
7,135,113	B2	11/2006	Bassett et al.	
7,147,772	B2	12/2006	Fritze	
D582,767	S *	12/2008	Batton et al.	D9/447
D596,487	S *	7/2009	Batton et al.	D9/447

(57) **CLAIM**

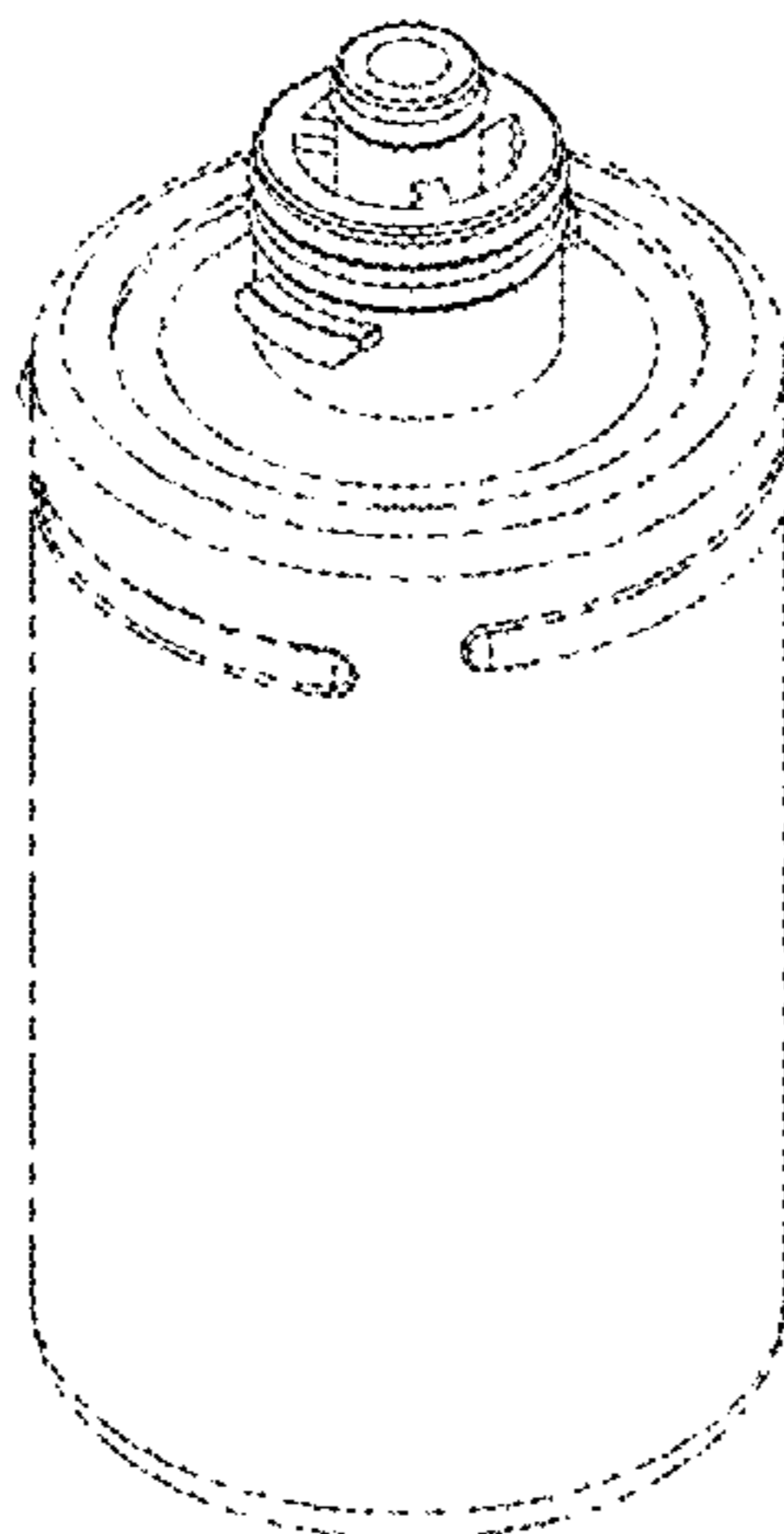
The ornamental design for a lugged cap assembly, as shown and described.

DESCRIPTION

FIG. 1 is a front plan view of a lugged cap assembly design wherein the opposite back side view is a mirror image thereof; FIG. 2 is a top plan view of FIG. 1; FIG. 3 is a right side plan view of the lugged cap assembly of FIG. 1 rotated 90° wherein the opposite left side view is a mirror image thereof; and, FIG. 4 is a front perspective view of the lugged cap assembly of FIG. 1.

The broken lines showing the canister and lugged cap assembly in FIGS. 1-4 are for illustrative purposes only and form no part of the claimed design.

1 Claim, 2 Drawing Sheets



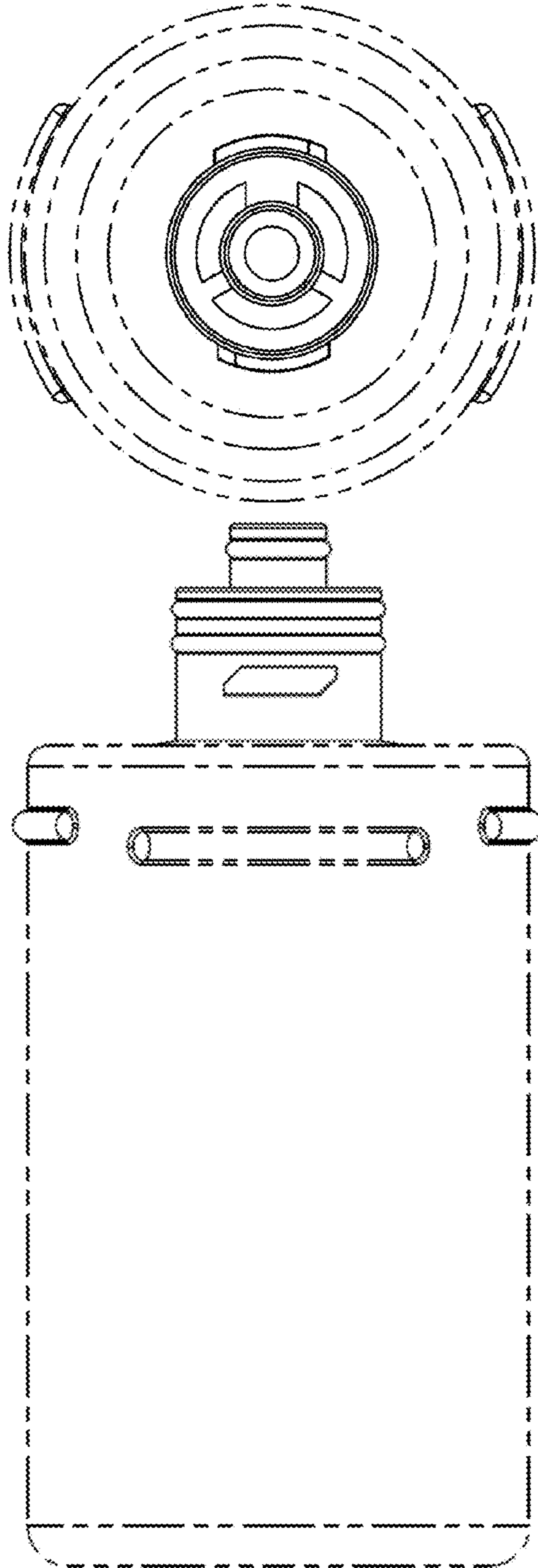


Fig. 2

Fig. 1

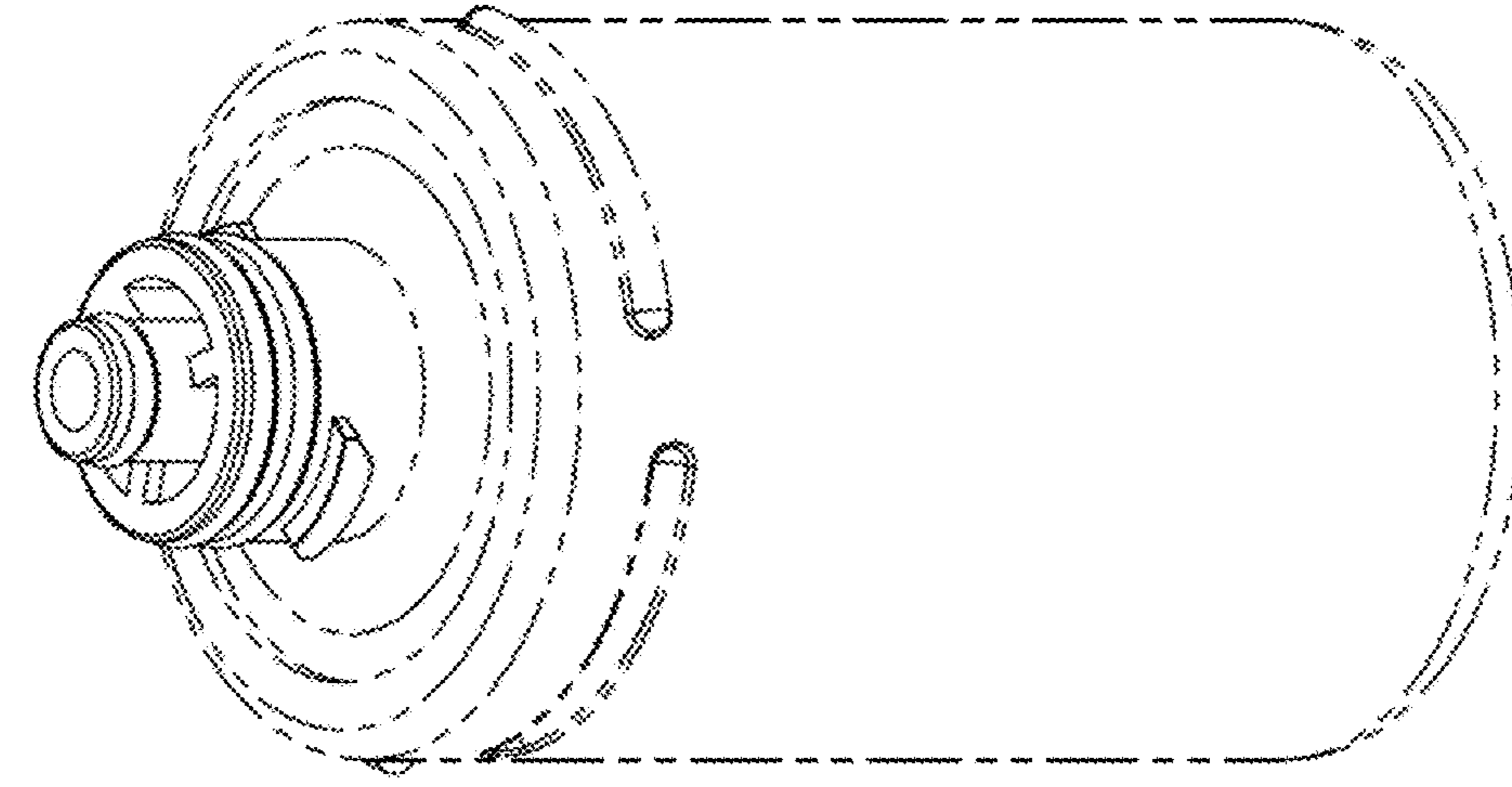


Fig. 4

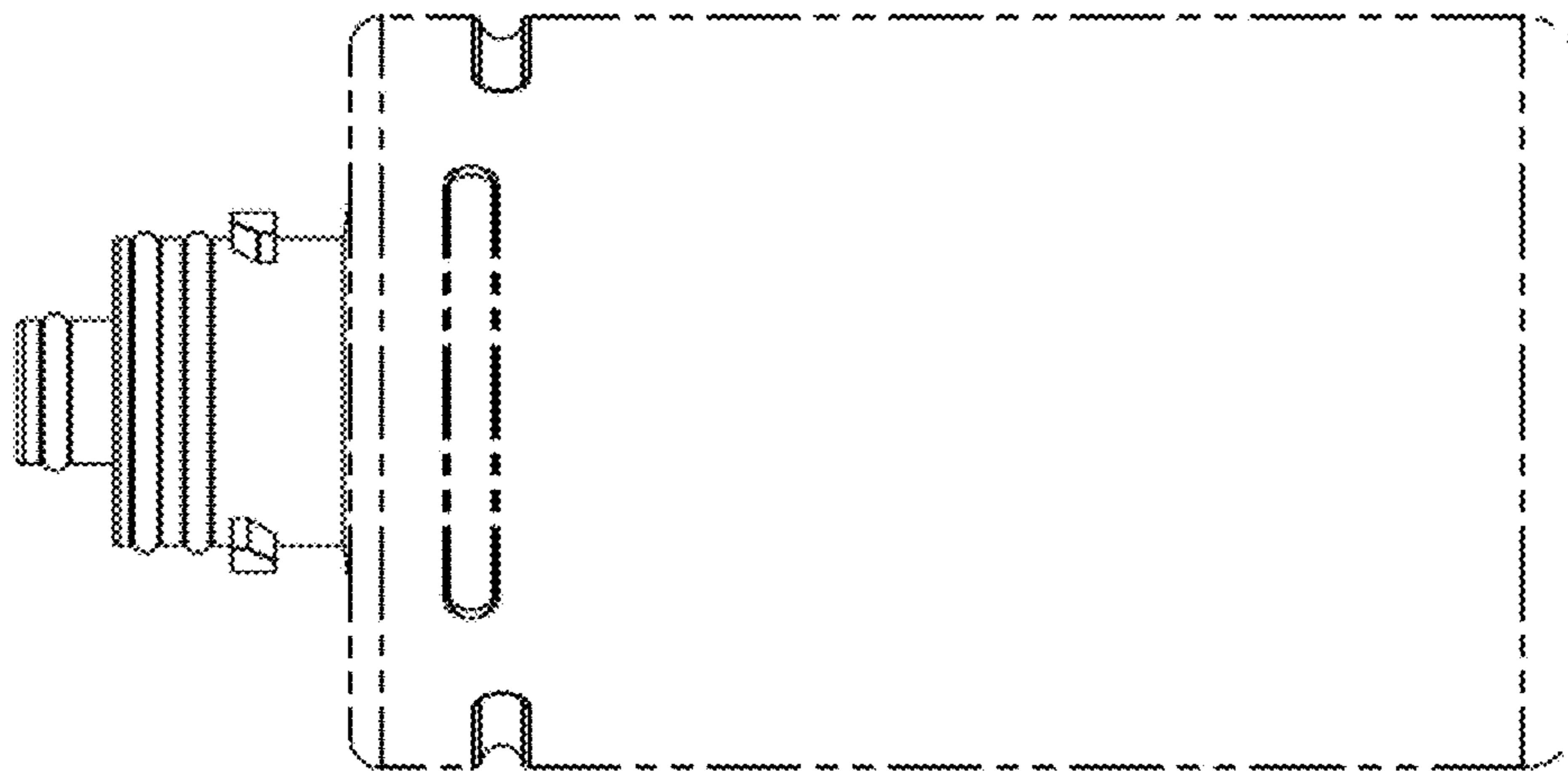


Fig. 3