



US00D704552S

(12) **United States Design Patent**
Cassens et al.

(10) **Patent No.:** **US D704,552 S**
(45) **Date of Patent:** **** May 13, 2014**

(54) **PACKAGING FOR FOOD PRODUCT**

(75) Inventors: **Martha E. Cassens**, Chicago, IL (US);
Stuart M. Leslie, Larchmont, NY (US);
Jason C. Billig, Mount Vernon, NY
(US); **Daniel Taek Kim**, Washington
Township, NJ (US)

(73) Assignee: **The Hillshire Brands Company**,
Chicago, IL (US)

(**) Term: **14 Years**

(21) Appl. No.: **29/431,679**

(22) Filed: **Sep. 10, 2012**

(51) **LOC (10) Cl.** **09-07**

(52) **U.S. Cl.**
USPC **D9/434**

(58) **Field of Classification Search**
CPC B65B 29/02; B65D 85/804; B65D 1/22
USPC D9/424-429, 434, 415, 418, 629, 414,
D9/431, 756, 759; 206/461-471
See application file for complete search history.

(56) **References Cited**

U.S. PATENT DOCUMENTS

D227,226	S *	6/1973	Bird	D9/425
D291,285	S *	8/1987	Jarrin et al.	D9/429
4,813,543	A	3/1989	Goldberg		
5,318,787	A	6/1994	Brauner et al.		
5,345,069	A	9/1994	Grindrod		
D406,065	S *	2/1999	Cheng	D9/552
5,935,697	A	8/1999	Gasse et al.		
5,989,610	A	11/1999	Ruzek		
6,672,473	B2	1/2004	Torniainen et al.		
7,028,449	B2	4/2006	Salvoni		
7,056,593	B2	6/2006	Kennedy et al.		
7,097,066	B2	8/2006	Tucker et al.		
D543,843	S *	6/2007	Gehring et al.	D9/425
7,261,219	B2	8/2007	Tucker et al.		

7,264,135	B2	9/2007	Savicki et al.		
D556,569	S *	12/2007	Stein et al.	D9/428
7,322,473	B2	1/2008	Fux		
7,357,272	B2	4/2008	Maxwell		
D587,995	S *	3/2009	Studee	D9/424
7,726,483	B2	6/2010	Ramanujam et al.		
D629,683	S *	12/2010	Fang	D9/429
D673,849	S *	1/2013	Barbier	D9/429
D681,447	S *	5/2013	Schulter et al.	D9/426
D684,857	S *	6/2013	Zhen	D9/429
D689,363	S *	9/2013	Sundy et al.	D9/429
D696,938	S *	1/2014	BeVier et al.	D9/429
2003/0138653	A1	7/2003	Rieblinger et al.		
2007/0116805	A1	5/2007	Castellanos et al.		
2008/0113133	A1	5/2008	Fackler et al.		
2009/0142454	A1	6/2009	Clark et al.		
2009/0234042	A1	9/2009	Luinstra		

(Continued)

Primary Examiner — Susan Bennett Hattan

Assistant Examiner — Brett Miller

(74) *Attorney, Agent, or Firm* — AlbertDhand LLP

(57) **CLAIM**

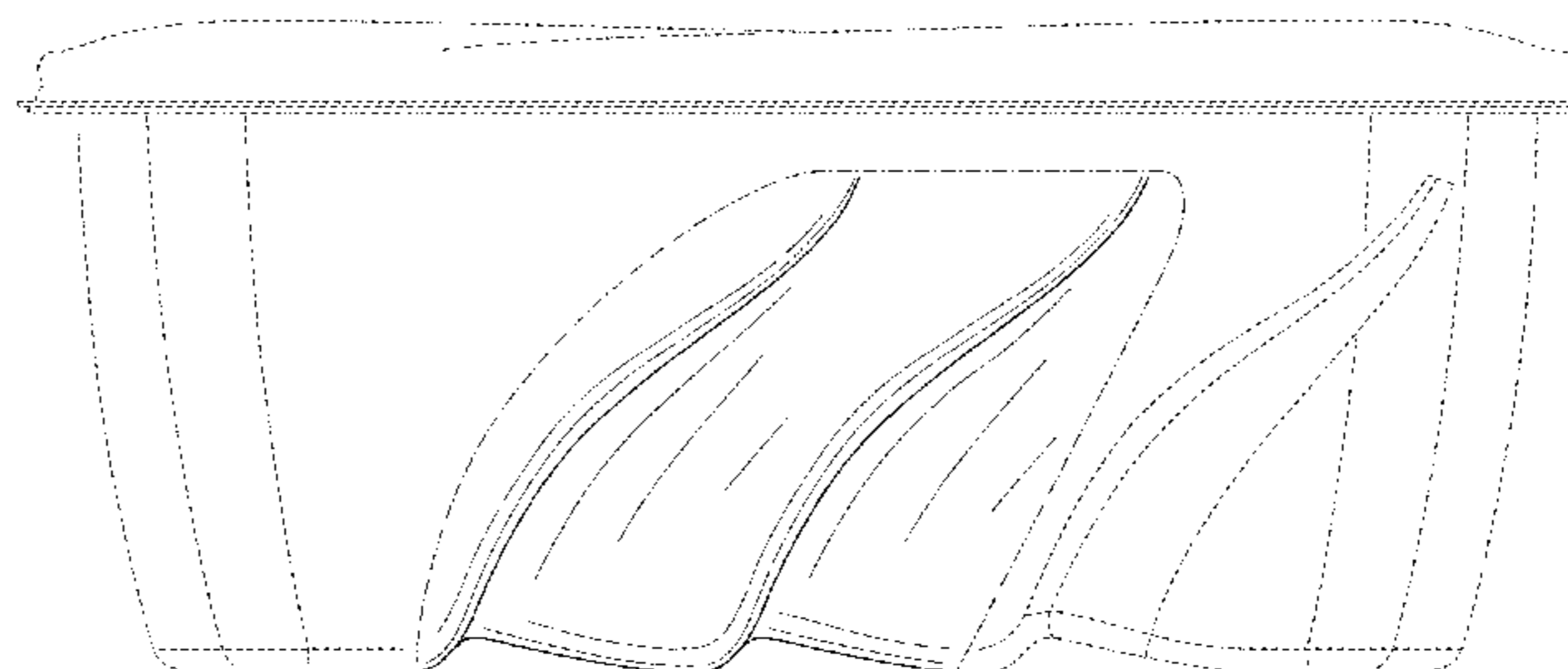
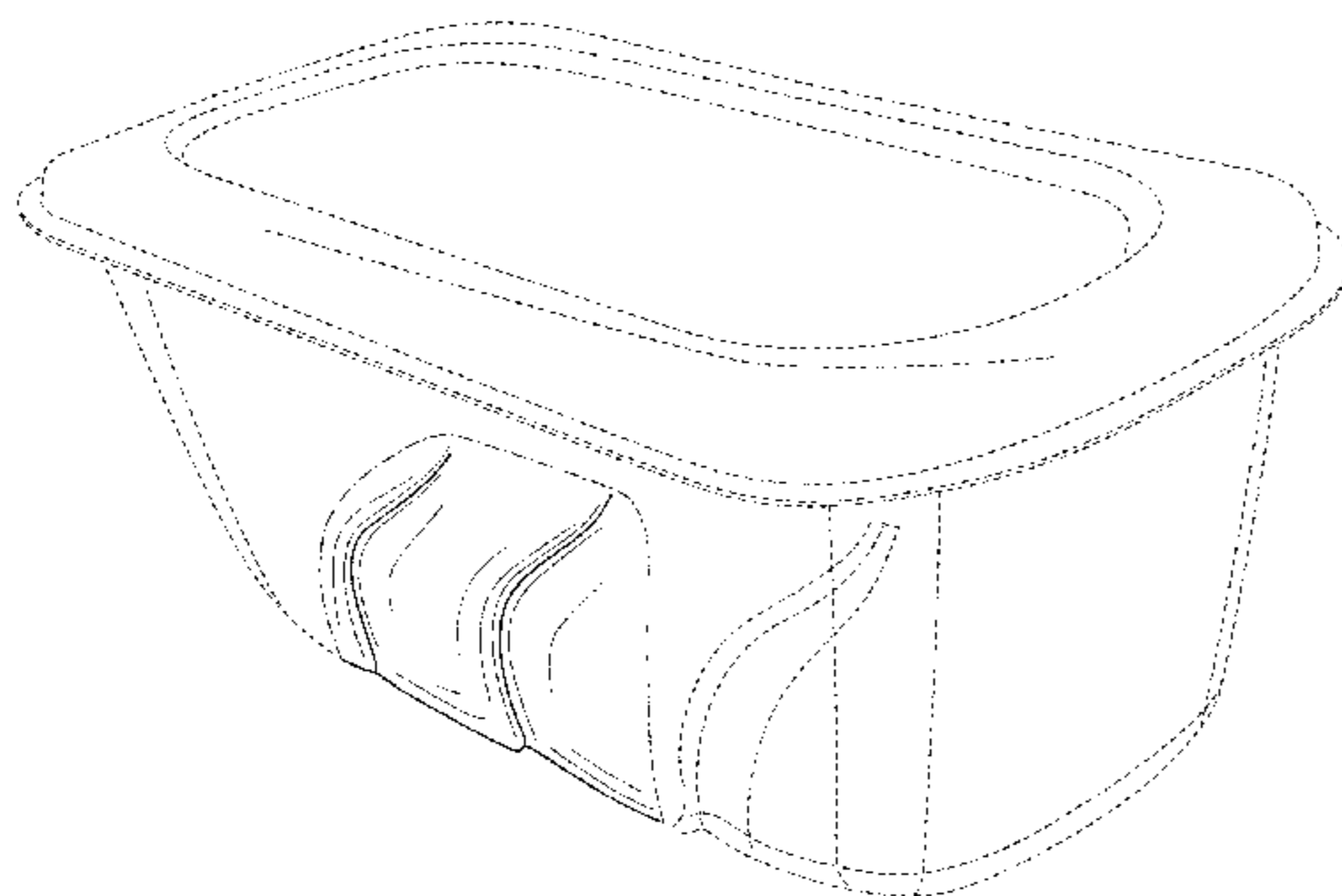
We claim the ornamental design for a packaging for food product, as shown and described.

DESCRIPTION

FIG. 1 is a perspective view of packaging for food product, showing our new design;
FIG. 2 is a front view thereof;
FIG. 3 is a rear view thereof;
FIG. 4 is a right side view thereof;
FIG. 5 is a left side view thereof;
FIG. 6 is a top view thereof; and,
FIG. 7 is a bottom view thereof.

The dash-dot boundary line(s) defines the boundary of the claimed design and forms no part of the claimed design. The broken lines in the drawings form no part of the claimed design and are only for illustrative purposes and/or to show environmental structure.

1 Claim, 7 Drawing Sheets



(56)

References Cited

U.S. PATENT DOCUMENTS

2009/0291174 A1 11/2009 Lewis

2010/0307116 A1 12/2010 Fisher
2011/0056949 A1 3/2011 Reiterer et al.

* cited by examiner

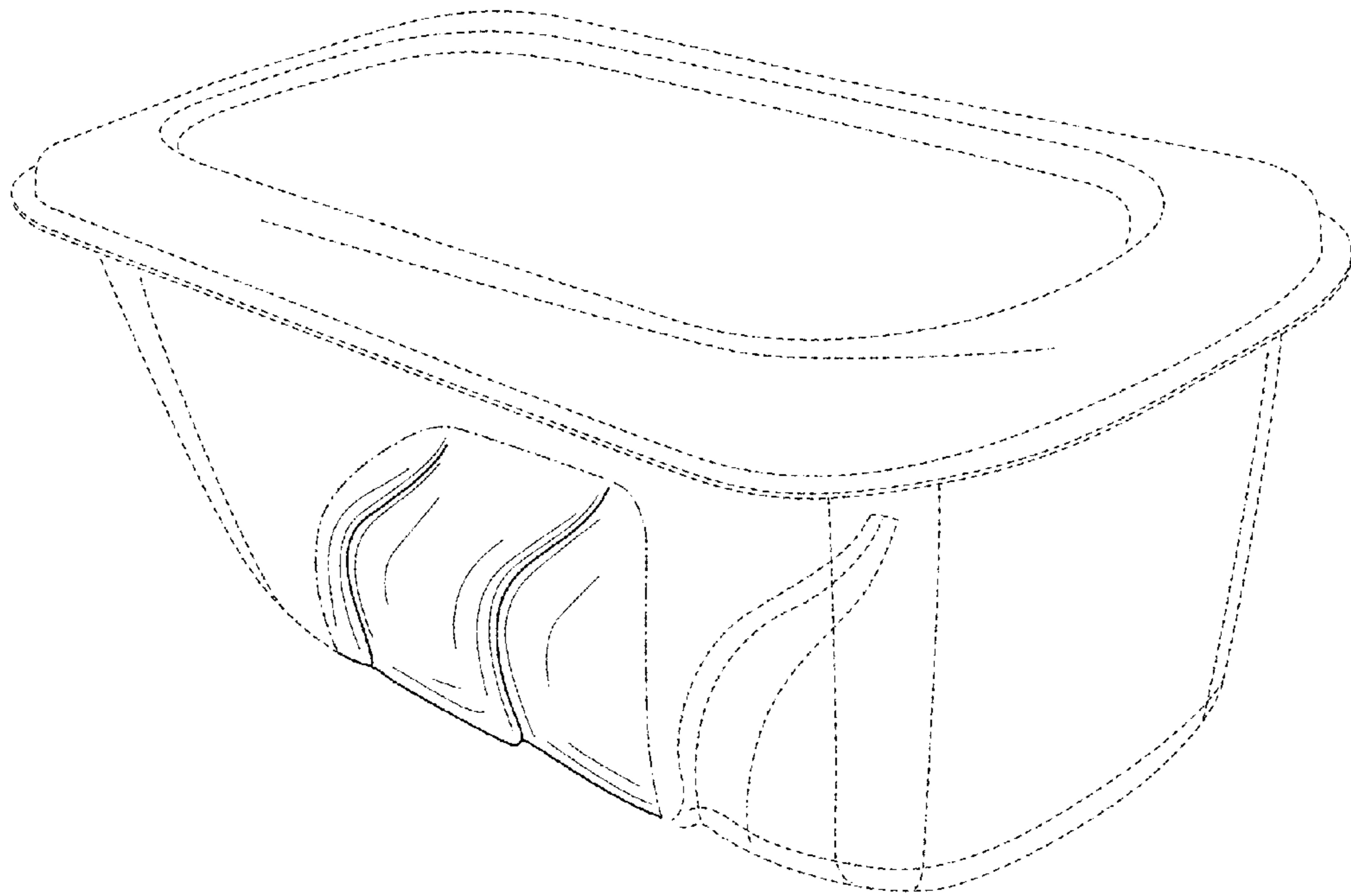


FIG. 1

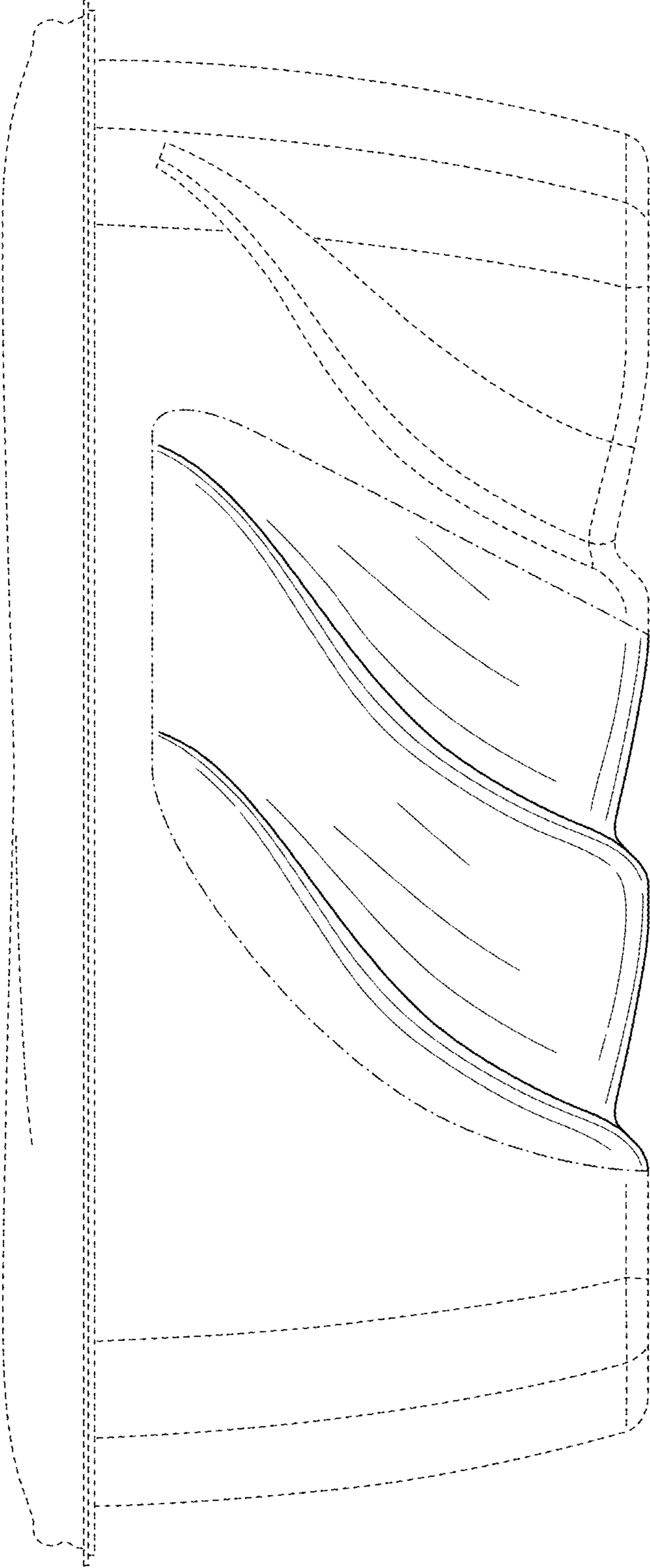


FIG. 2

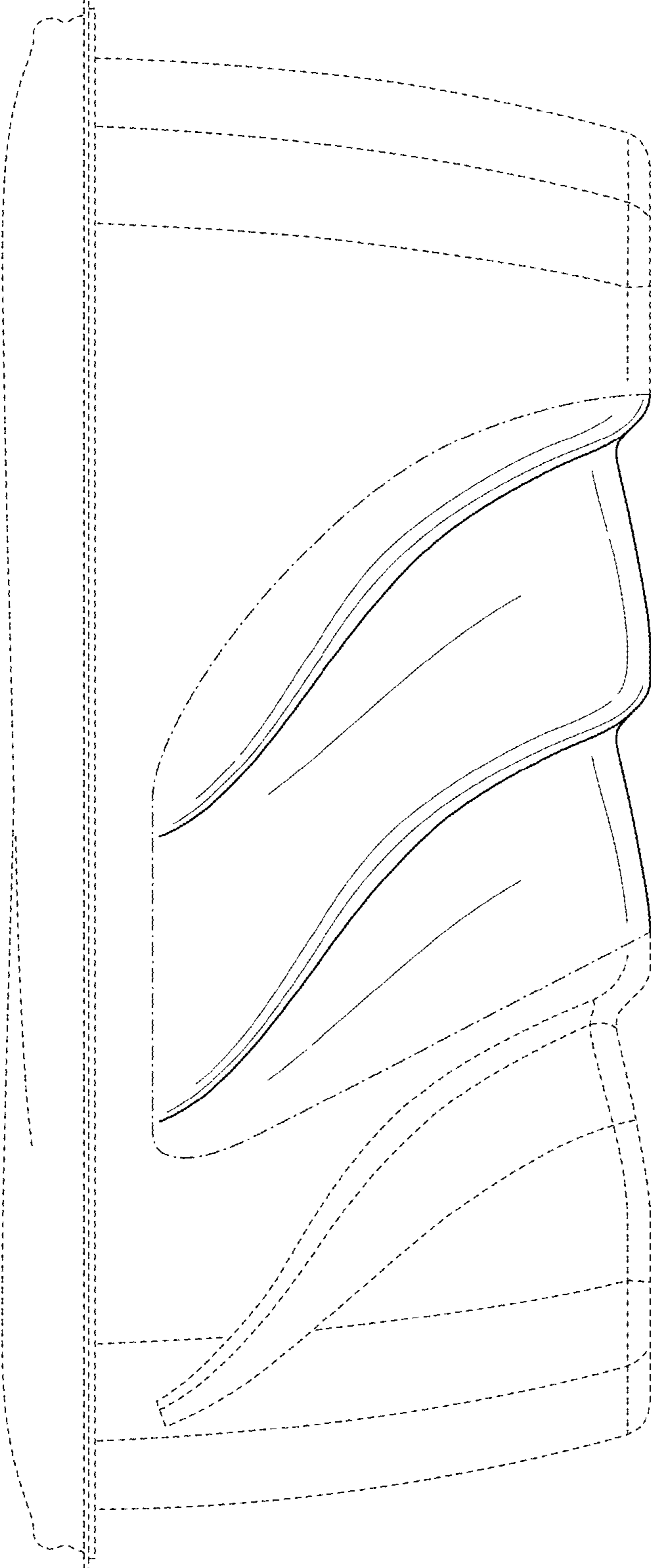


FIG. 3

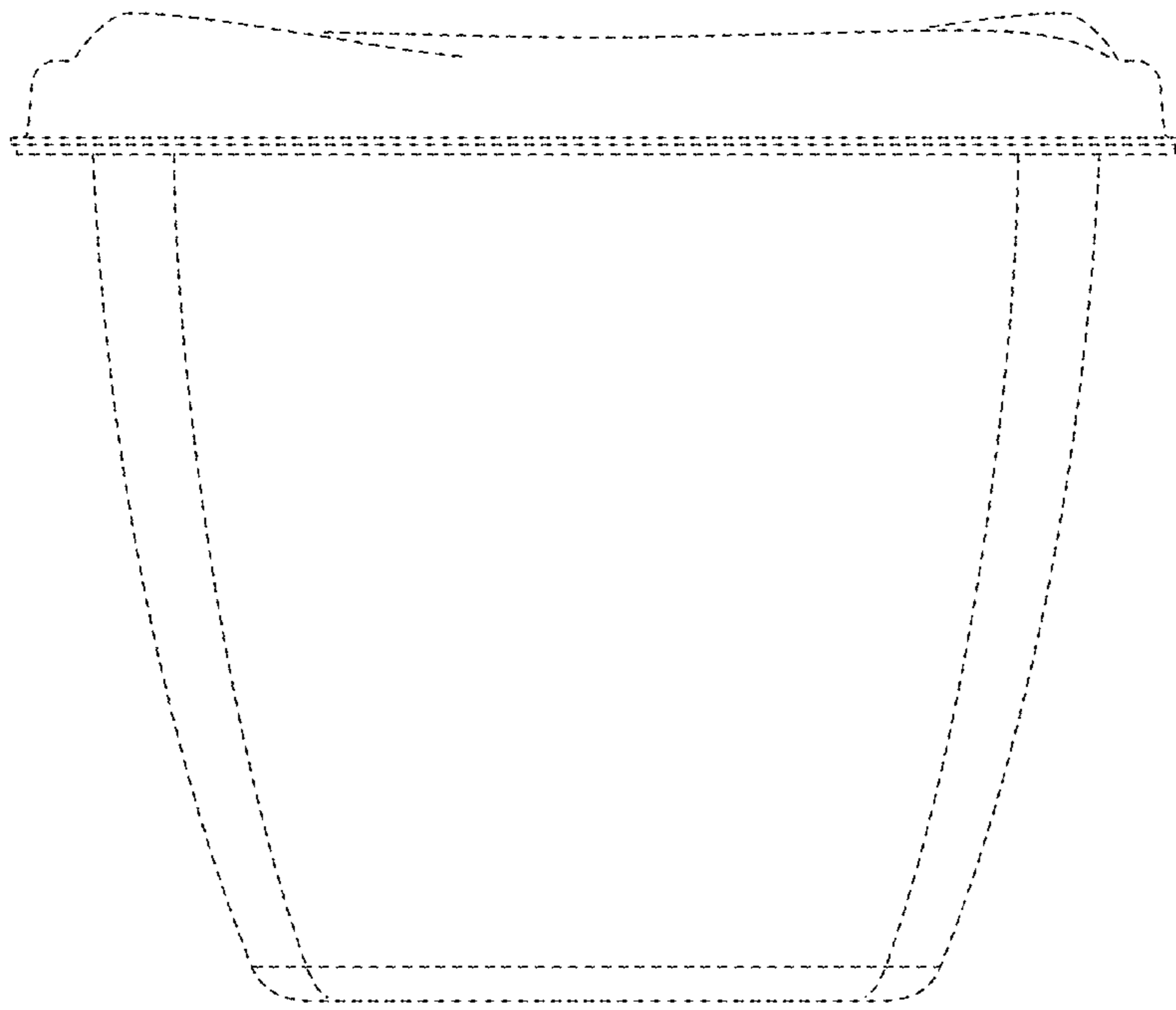


FIG. 4

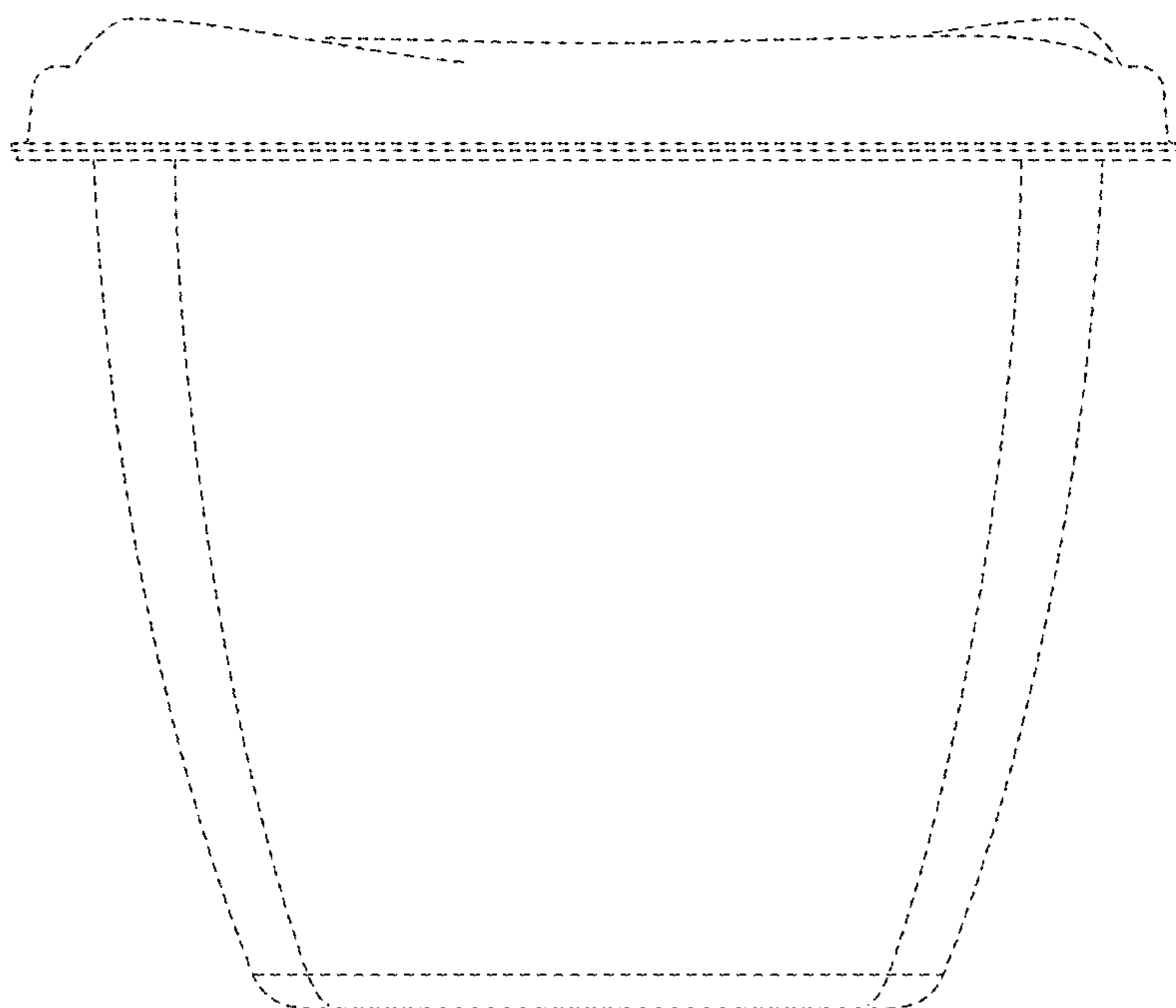


FIG. 5

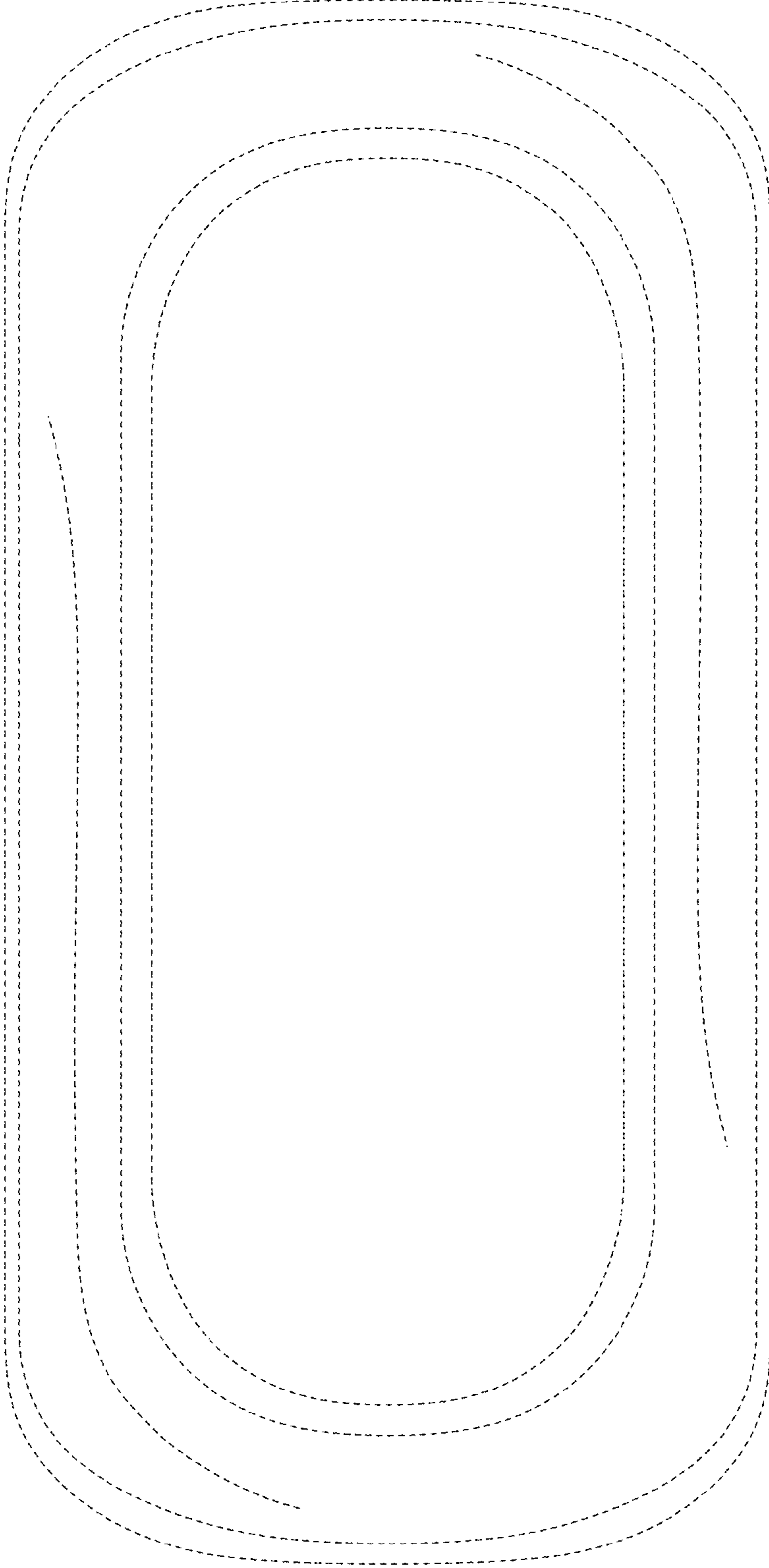


FIG. 6

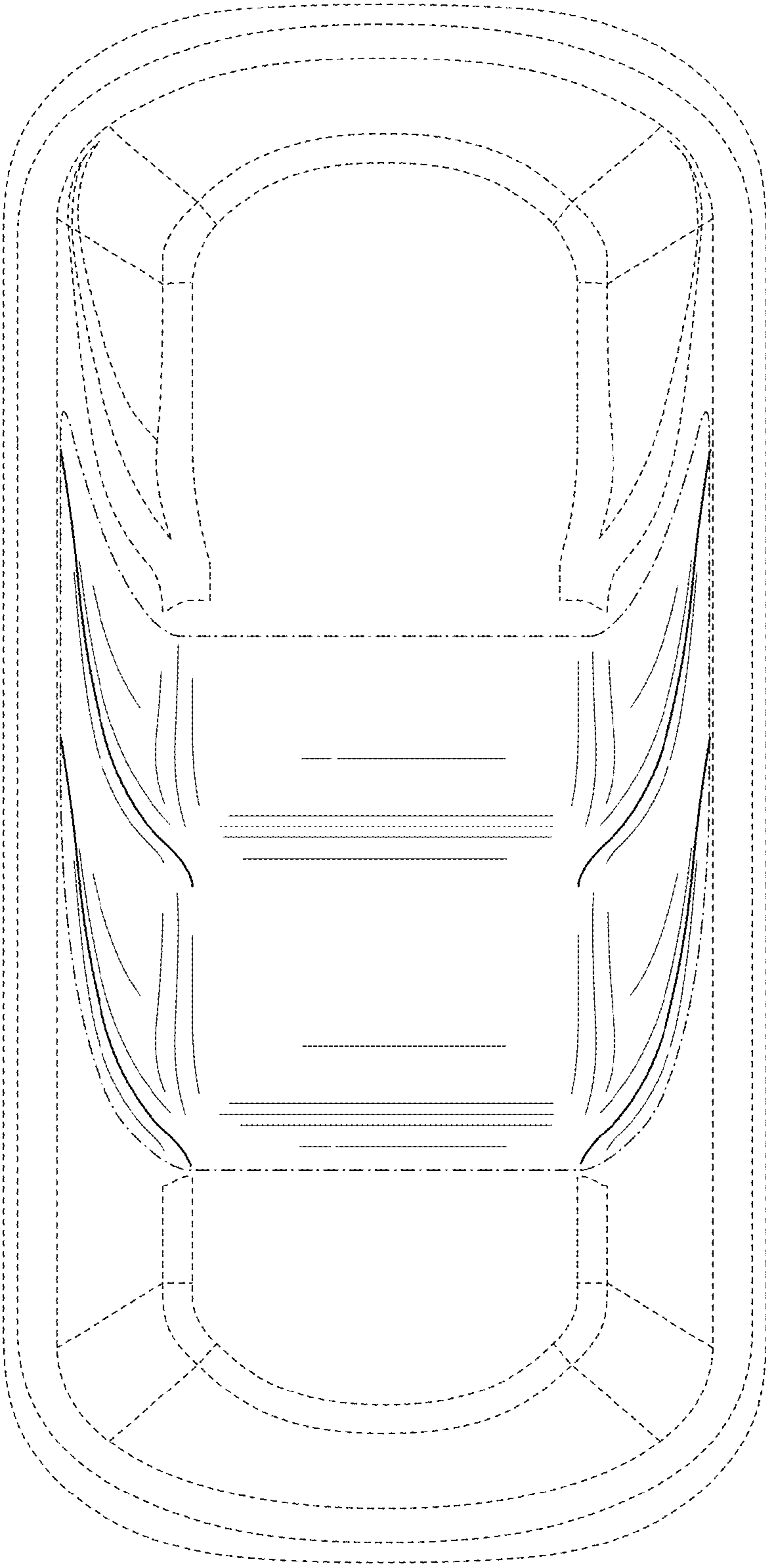


FIG. 7