

US00D704551S

(12) **United States Design Patent**
Wycoff

(10) **Patent No.:** **US D704,551 S**

(45) **Date of Patent:** **** May 13, 2014**

(54) **CONTAINER HANDLE**

(76) **Inventor:** **Jeffrey Wycoff**, Boulder, CO (US)

(**) **Term:** **14 Years**

(21) **Appl. No.:** **29/414,784**

(22) **Filed:** **Mar. 2, 2012**

(51) **LOC (10) Cl.** **09-07**

(52) **U.S. Cl.**

CPC **A47J 45/077** (2013.01)

USPC **D9/434; D9/499**

(58) **Field of Classification Search**

CPC **A47J 45/077**

USPC **D9/434, 499, 337, 414, 420-425, 432;
206/428, 506, 510, 162; 220/318, 846,
220/696, 752, 754, 758, 760, 768, 773;
215/396-399; 294/31.2**

See application file for complete search history.

(56) **References Cited**

U.S. PATENT DOCUMENTS

3,189,937	A *	6/1965	Sciortino	294/33
4,127,915	A *	12/1978	Logan et al.	294/33
D346,930	S *	5/1994	Gabalis	D7/393
D422,867	S	4/2000	Forbes		
6,394,517	B1 *	5/2002	Borg	294/31.2
7,097,061	B2 *	8/2006	Simpson et al.	215/396
D530,052	S *	10/2006	Berti	D32/53
D556,584	S *	12/2007	Dorn	D9/527
D564,351	S	3/2008	Leclerc		
D596,490	S *	7/2009	Kleckauskas et al.	D9/535

D653,548	S	2/2012	Wycoff		
D667,299	S *	9/2012	Dom	D9/434
2009/0065469	A1 *	3/2009	McClellan et al.	215/390
2013/0008915	A1 *	1/2013	Dorn	220/755

OTHER PUBLICATIONS

Coleman 1/3 Gallon Jug W/ Top Handle, oempromo.com, (c) 2007-2010. Found online at <http://www.oempromo.com/Homecare-and-Houseware/Jugs/>.*

* cited by examiner

Primary Examiner — Robert M Spear

(74) *Attorney, Agent, or Firm* — Craig R. Miles; CR Miles, P.C.

(57) **CLAIM**

The ornamental design for a container handle, as shown and described.

DESCRIPTION

FIG. 1 is a top and left side perspective view of a container handle embodying my new design; FIG. 2 is a side elevation view thereof showing the left side; FIG. 3 is a side elevation view thereof showing the right side; FIG. 4 is a rear and bottom plan perspective view thereof; FIG. 5 is a front elevation view thereof; FIG. 6 is a top plan view thereof; and, FIG. 7 is a bottom plan view thereof.

The broken lines shown are included for the purpose of illustrating the unclaimed portions of the article and form no part of the claim.

1 Claim, 3 Drawing Sheets

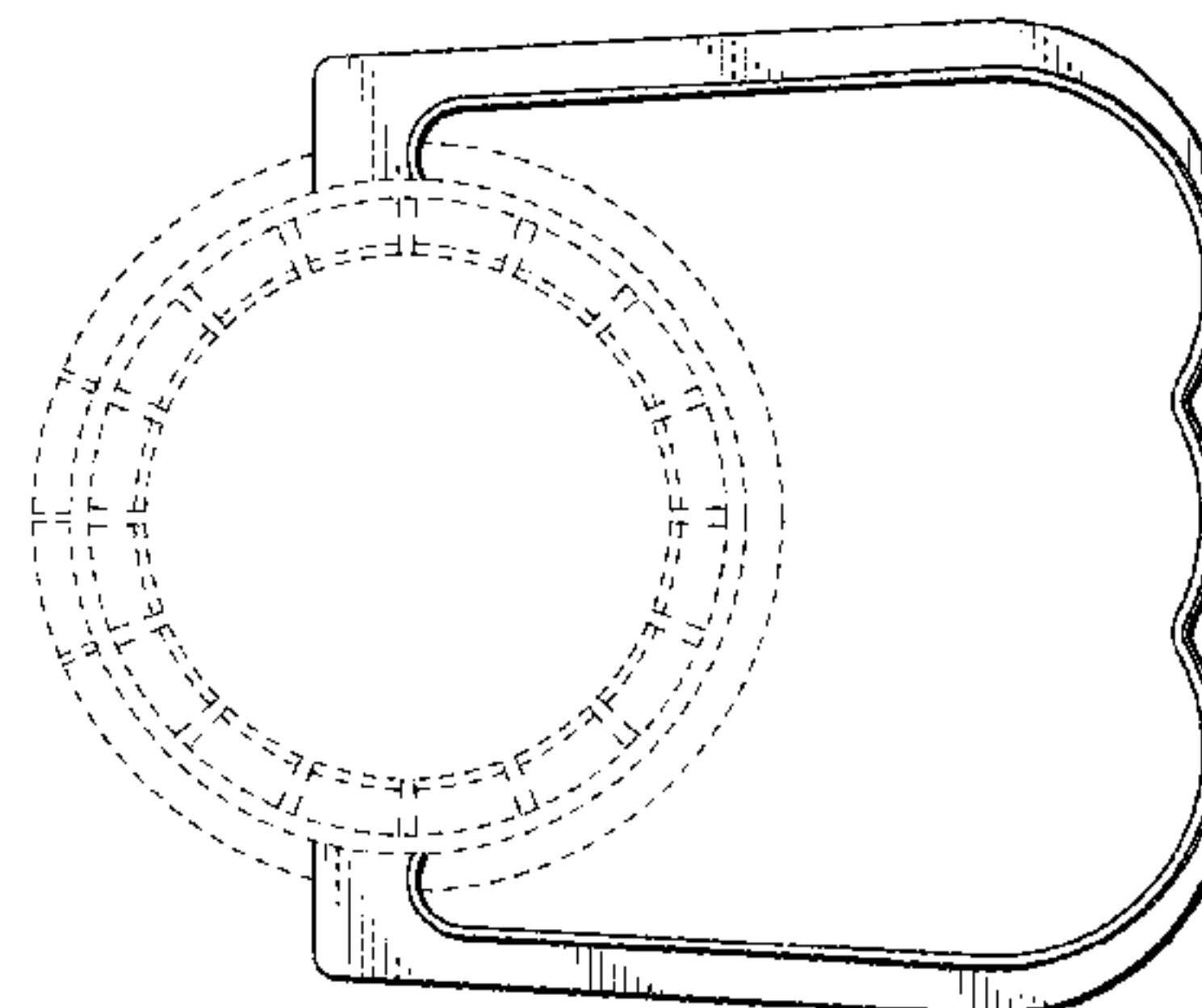
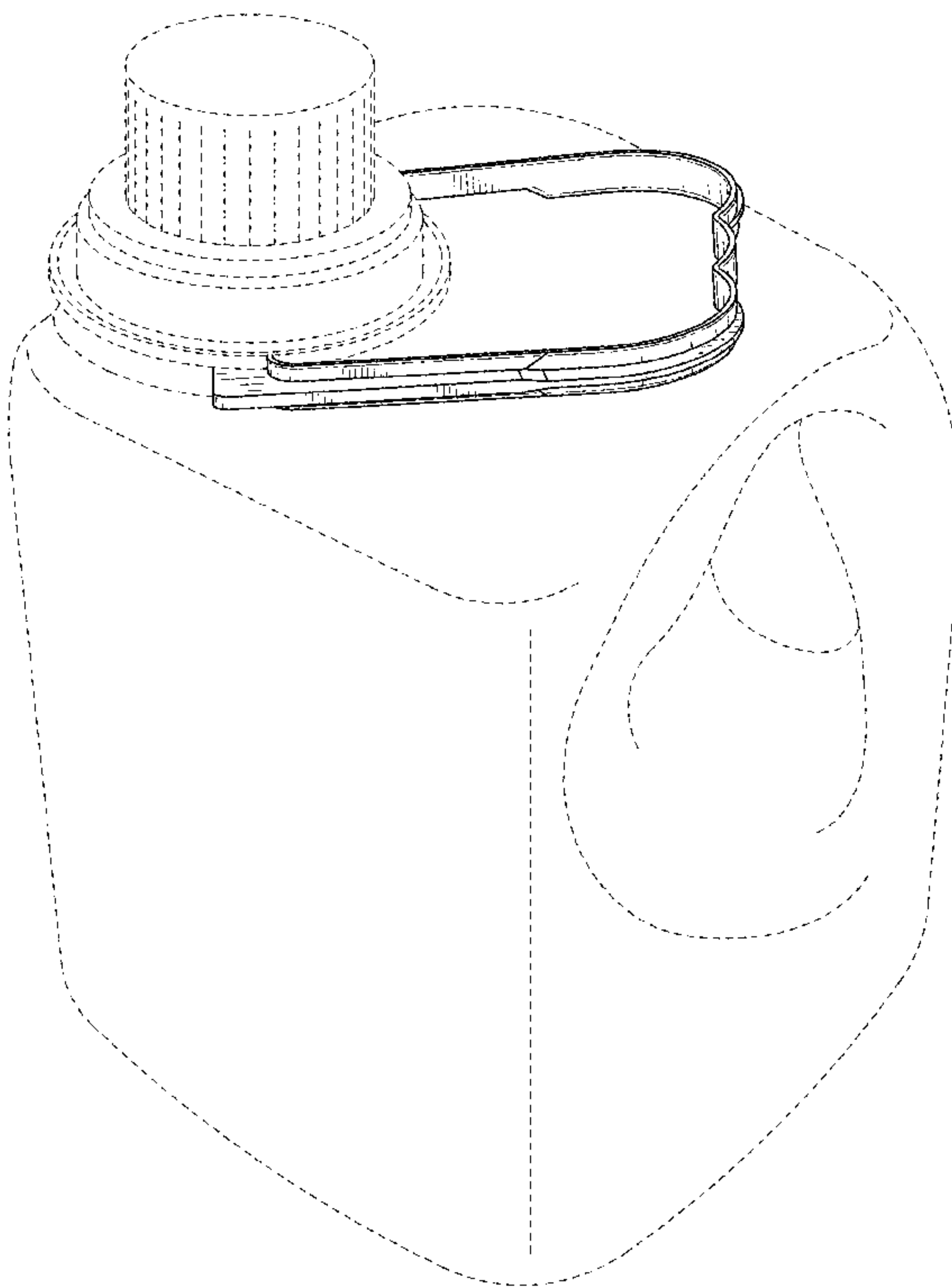


FIG. 1

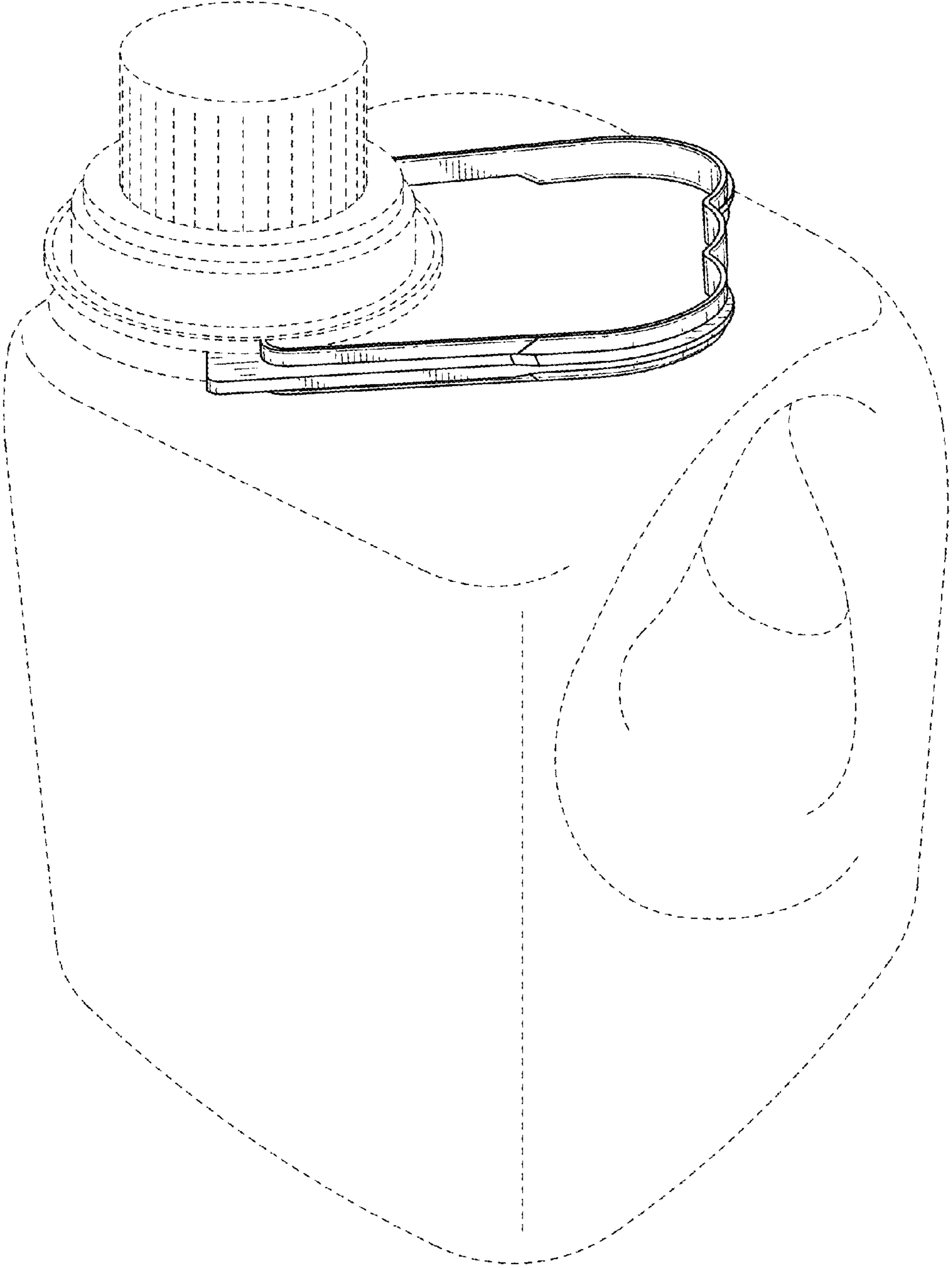


FIG. 2

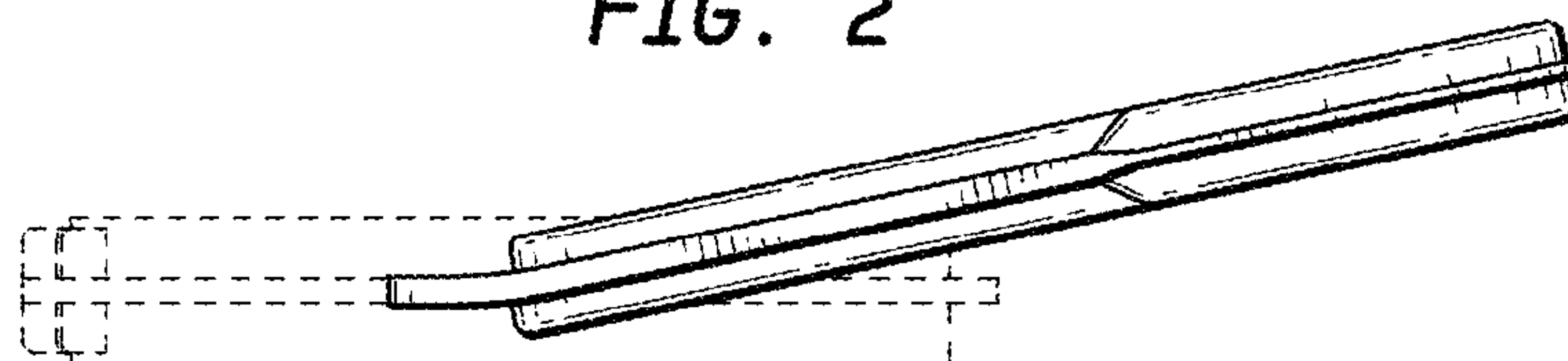


FIG. 3

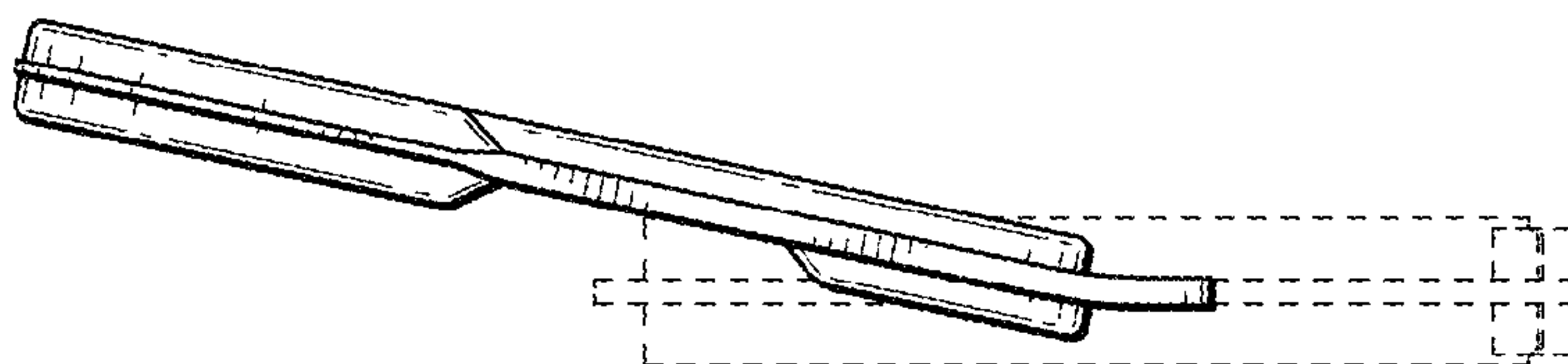


FIG. 4

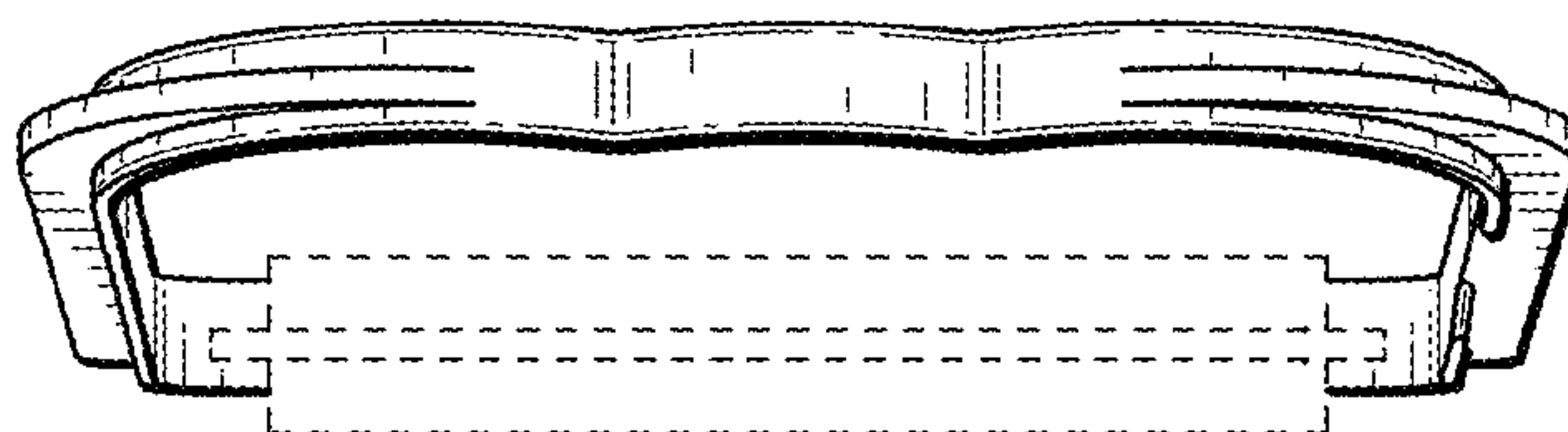


FIG. 5

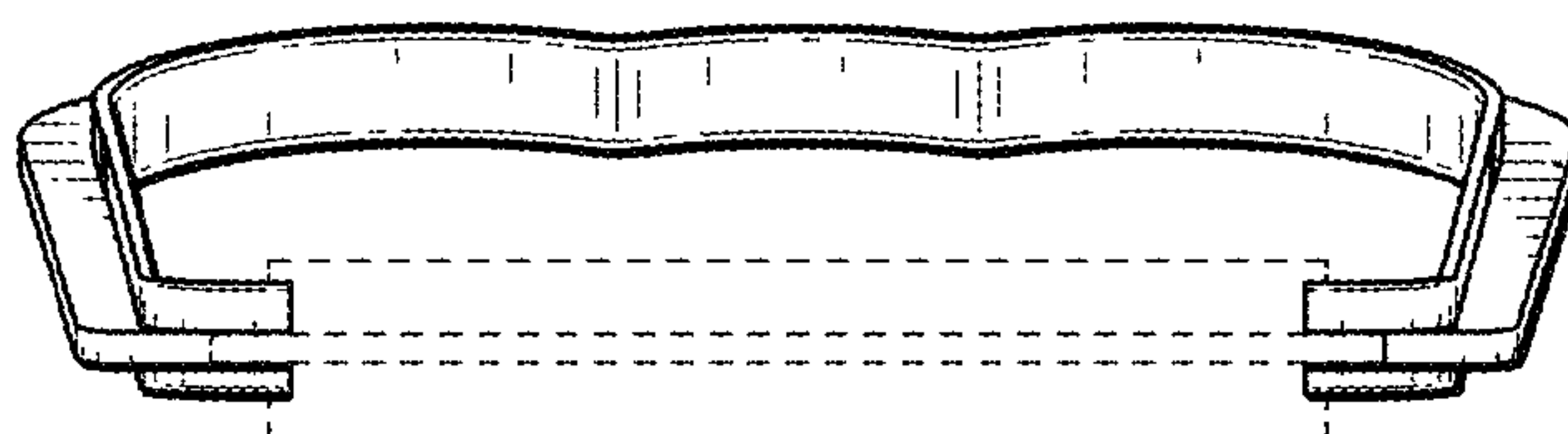


FIG. 6

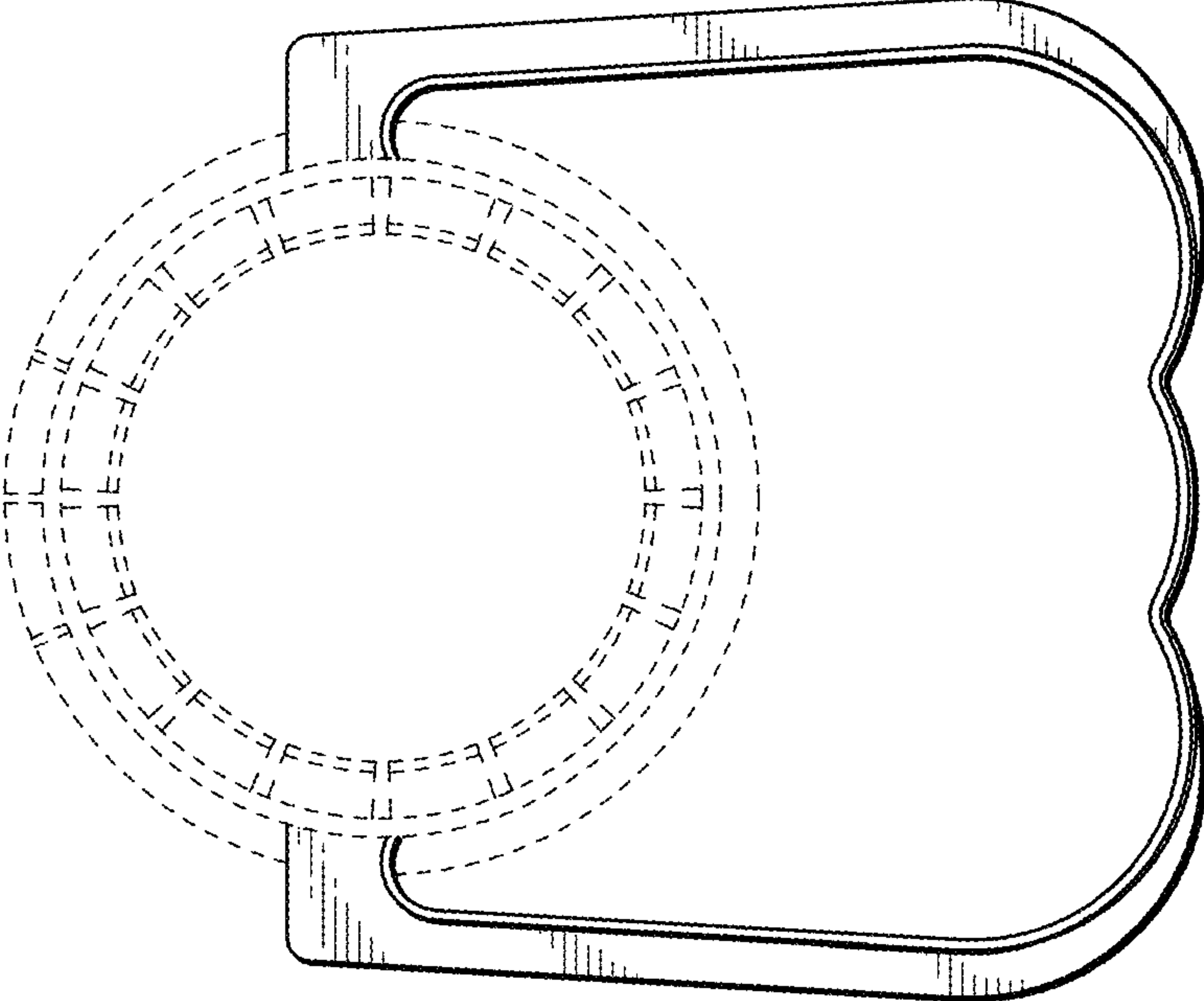


FIG. 7

