



US00D704547S

(12) **United States Design Patent**
Marotti et al.

(10) **Patent No.:** **US D704,547 S**
(45) **Date of Patent:** **** May 13, 2014**

(54) **PACKAGE WITH SURFACE ORNAMENTATION FOR A TOOTHBRUSH**

(75) Inventors: **Martin Jay Marotti**, Carmel, IN (US); **John Joseph Mertz**, Cincinnati, OH (US); **Bertholt Ludwig Schroeder**, Cincinnati, OH (US); **Thomas Bernard Walker, III**, Cincinnati, OH (US)

(73) Assignee: **The Gillette Company**, Boston, MA (US)

(**) Term: **14 Years**

(21) Appl. No.: **29/425,167**

(22) Filed: **Jun. 20, 2012**

(51) **LOC (10) Cl.** **09-03**

(52) **U.S. Cl.**
USPC **D9/415**

(58) **Field of Classification Search**
USPC D9/346, 414–418, 424, 425, 423, D9/432–436, 445, 431, 453, 499, 500, 504, D9/516, 519, 522, 529, 535, 537, 545, 551, D9/571, 672, 675, 702, 711, 715, 721, 722, D9/737, 748, 759, 740, 743, 745, 749, 756, D9/718; 206/769, 773, 775–778, 395, 206/397–398, 223, 736, 756, 495, 349, 760, 206/541, 784; 229/162.1, 162.3, 162.7, 229/107, 122, 395, 938, 902, 409, 125.05, 229/116.1

See application file for complete search history.

(56) **References Cited**

U.S. PATENT DOCUMENTS

D425,414 S * 5/2000 Baker et al. D9/415
D590,245 S * 4/2009 Nanda D9/415

(Continued)

OTHER PUBLICATIONS

European Community Design Registration No. 000093497-0001.
Registered on Oct. 23, 2003. Published on Mar. 9, 2004.

(Continued)

Primary Examiner — Robert M Spear

Assistant Examiner — Rhea Shields

(74) *Attorney, Agent, or Firm* — David M. Weirich

(57) **CLAIM**

The ornamental design for a package with surface ornamentation for a toothbrush, as shown and described.

DESCRIPTION

FIG. 1 is a perspective view of a package with surface ornamentation for a toothbrush.

FIG. 2 is a front view of the package with surface ornamentation for a toothbrush of FIG. 1.

FIG. 3 is a left side view of the package with surface ornamentation for a toothbrush of FIG. 1.

FIG. 4 is a back view of the package with surface ornamentation for a toothbrush of FIG. 1.

FIG. 5 is a right side view of the package with surface ornamentation for a toothbrush of FIG. 1.

FIG. 6 is a top view of the package with surface ornamentation for a toothbrush of FIG. 1.

FIG. 7 is a bottom view of the package with surface ornamentation for a toothbrush of FIG. 1.

FIG. 8 is a perspective view of a package with surface ornamentation for a toothbrush.

FIG. 9 is a front view of the package with surface ornamentation for a toothbrush of FIG. 8.

FIG. 10 is a left side view of the package with surface ornamentation for a toothbrush of FIG. 8.

FIG. 11 is a back view of the package with surface ornamentation for a toothbrush of FIG. 8.

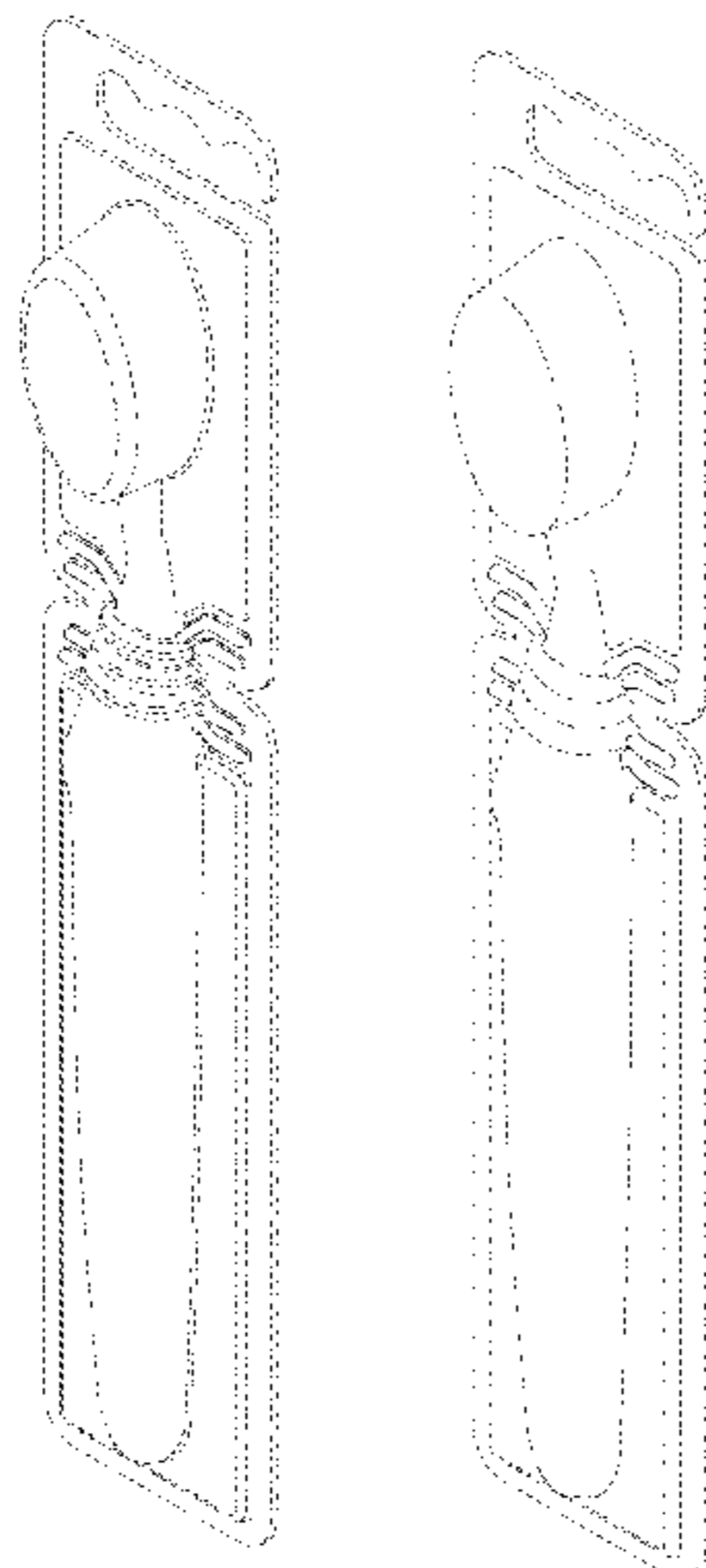
FIG. 12 is a right side view of the package with surface ornamentation for a toothbrush of FIG. 8.

FIG. 13 is a top view of the package with surface ornamentation for a toothbrush of FIG. 8; and,

FIG. 14 is a bottom view of the package with surface ornamentation for a toothbrush of FIG. 8.

In the drawings, the broken lines depict unclaimed environmental elements and form no part of the claimed design.

1 Claim, 8 Drawing Sheets



(56)

References Cited

U.S. PATENT DOCUMENTS

D622,138 S * 8/2010 Winkler et al. D9/415
D632,573 S * 2/2011 Bolsinger D9/457
D642,047 S * 7/2011 Nanda D9/415

OTHER PUBLICATIONS

European Community Design Registration No. 000093497-0002.
Registered on Oct. 23, 2003. Published on Mar. 9, 2004.

European Community Design Registration No. 000093497-0003.
Registered on Oct. 23, 2003. Published on Mar. 9, 2004.

Korean Registration No. 300479100.000. Registered on Jan. 31,
2008 and published Feb. 12, 2008.

Chinese Registration No. 30116043 published and granted on Jan. 6,
2010.

Toothbrush in package commercially available from the Procter &
Gamble Company and on the market since approximately Apr. 2012.

* cited by examiner

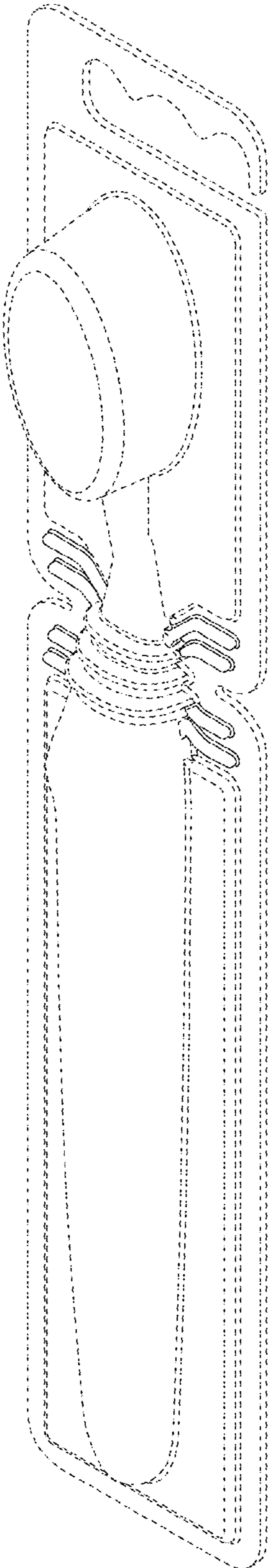


Fig. 1

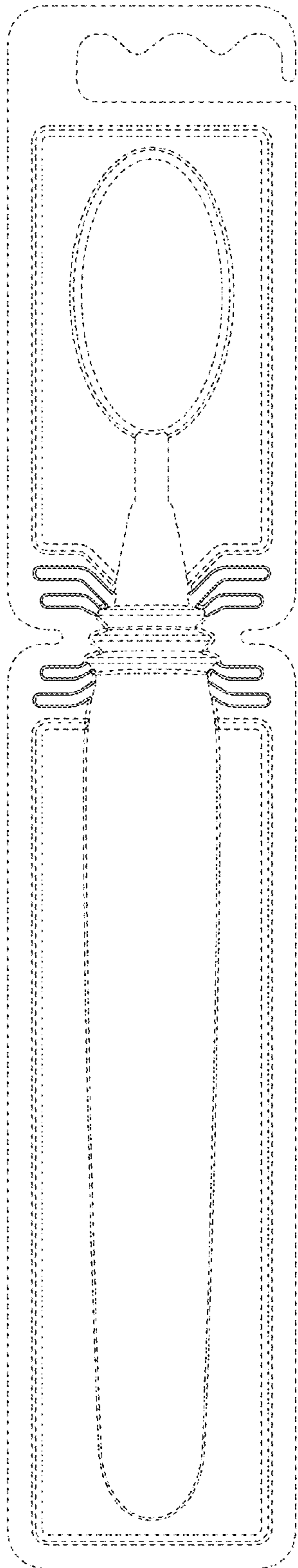


Fig. 2

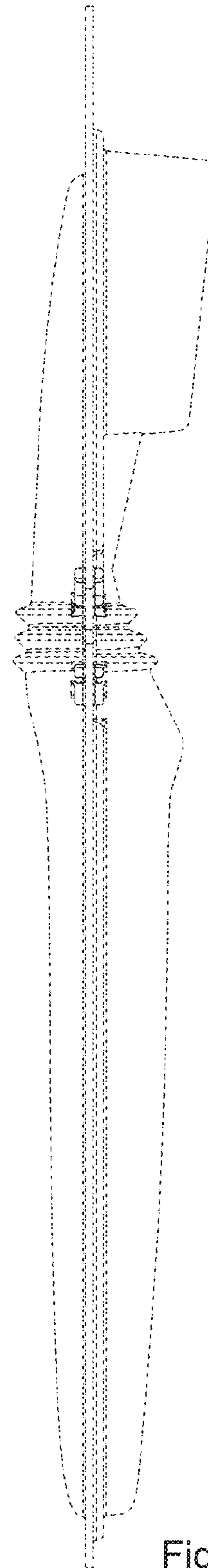


Fig. 3

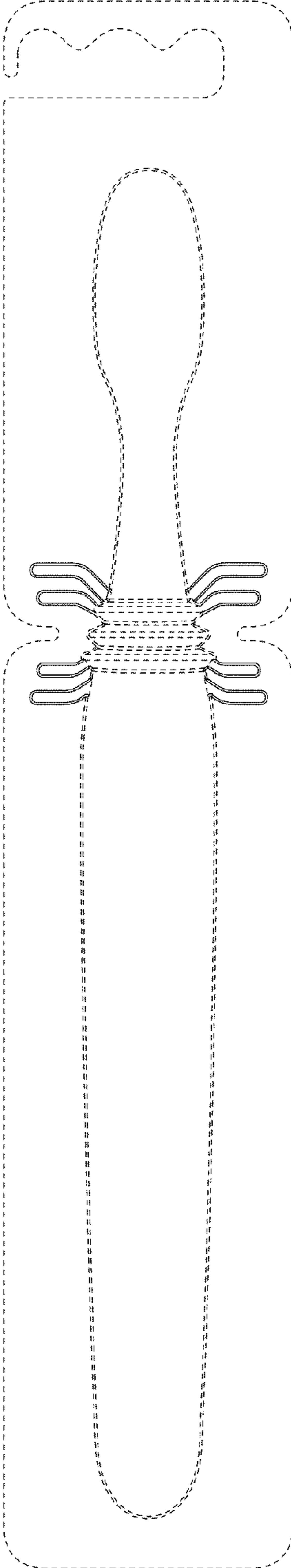


Fig. 4

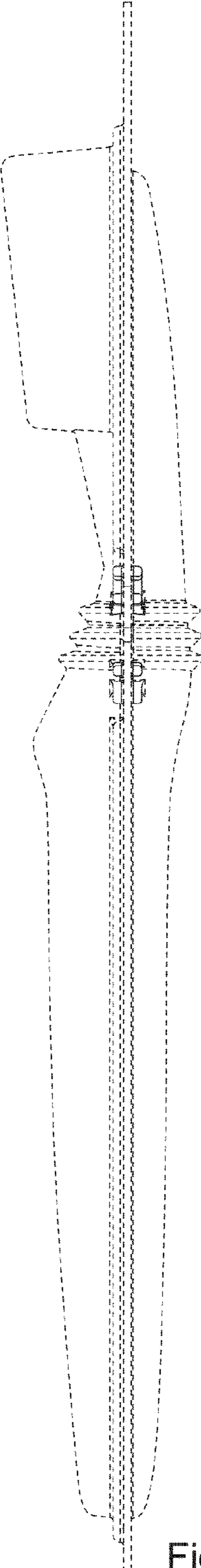


Fig. 5

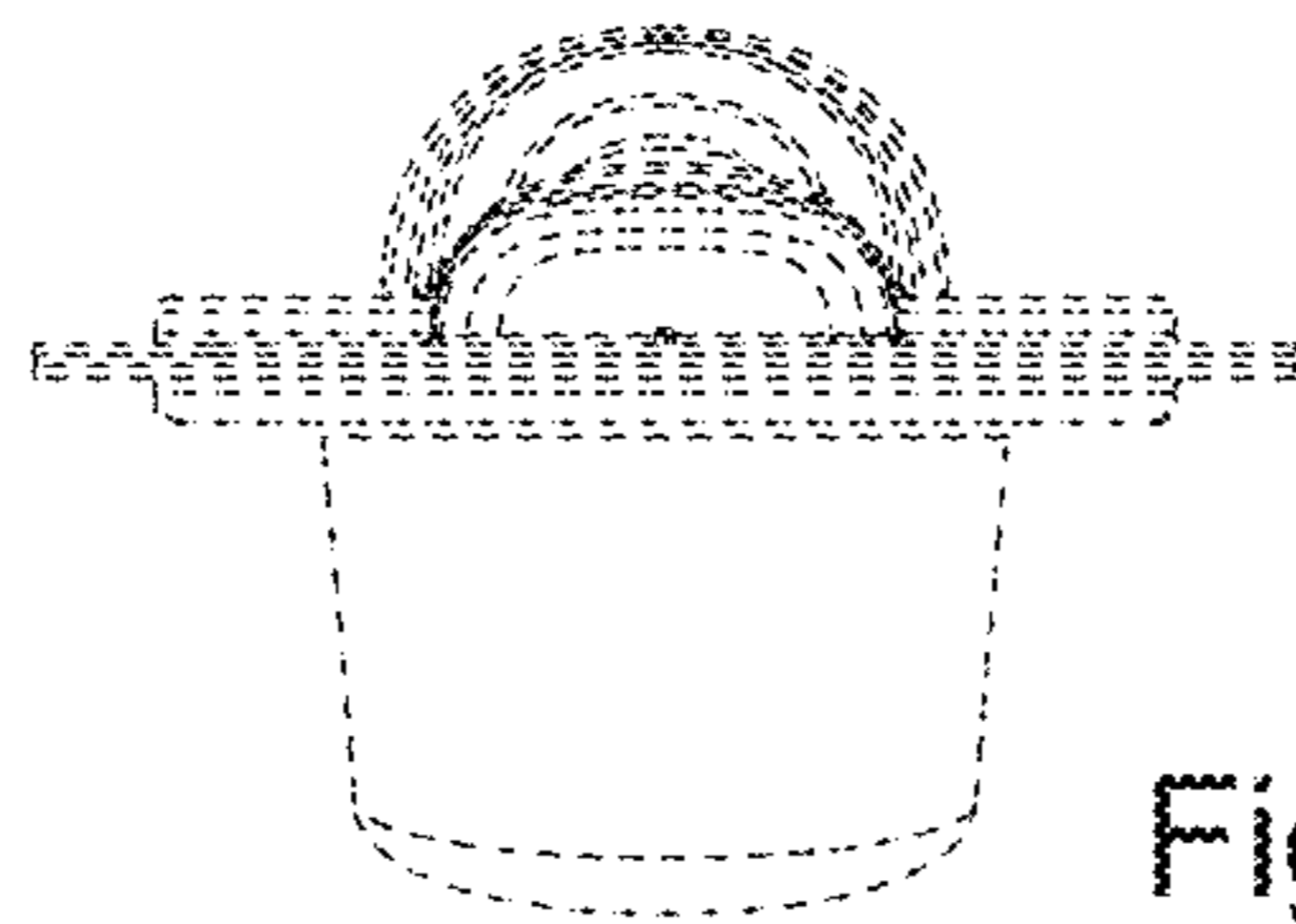


Fig. 6

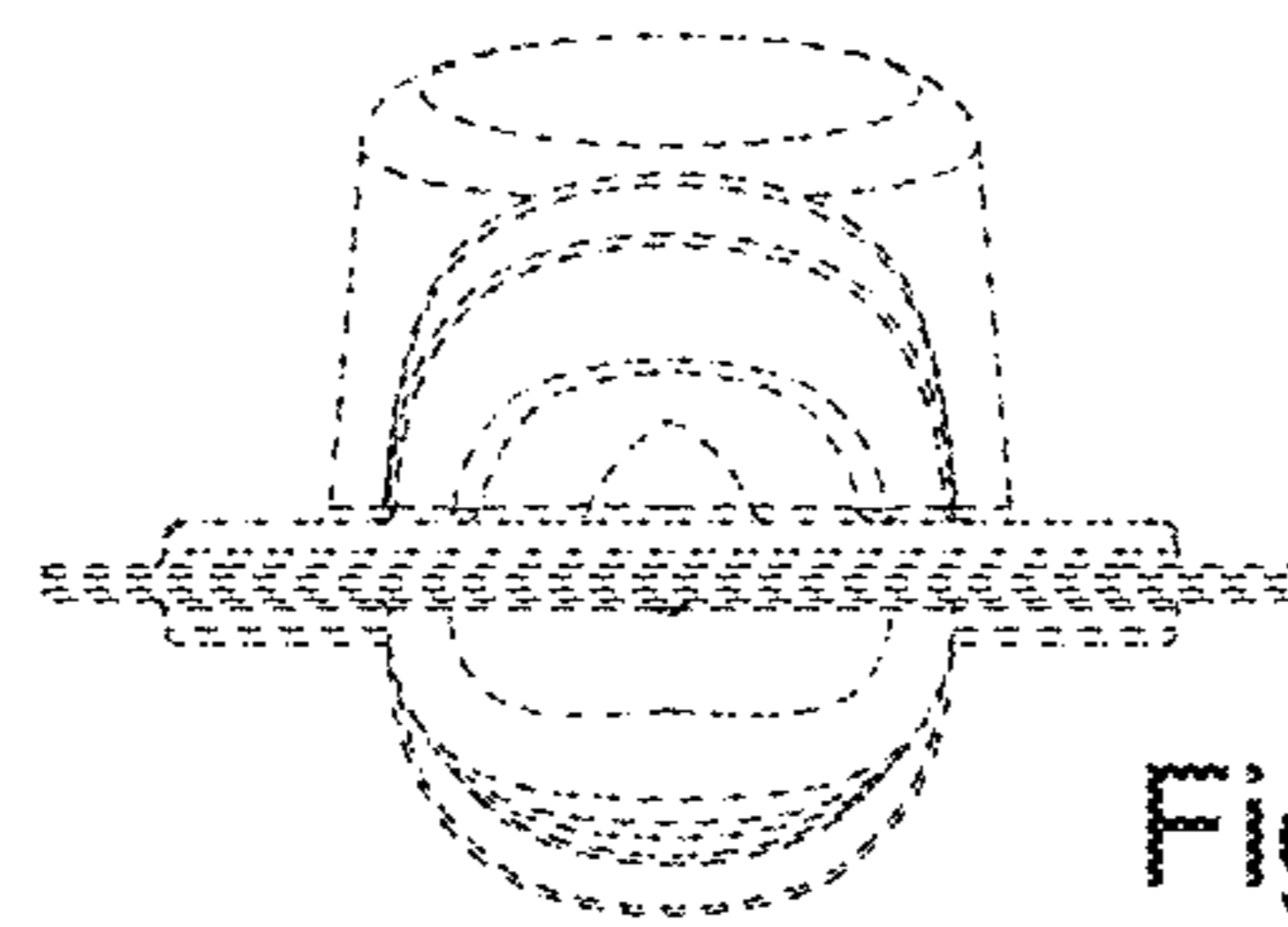


Fig. 7

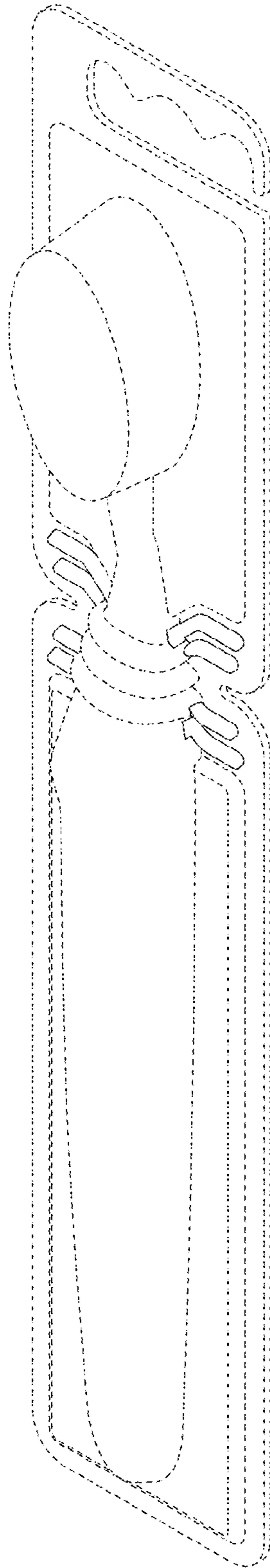


Fig. 8

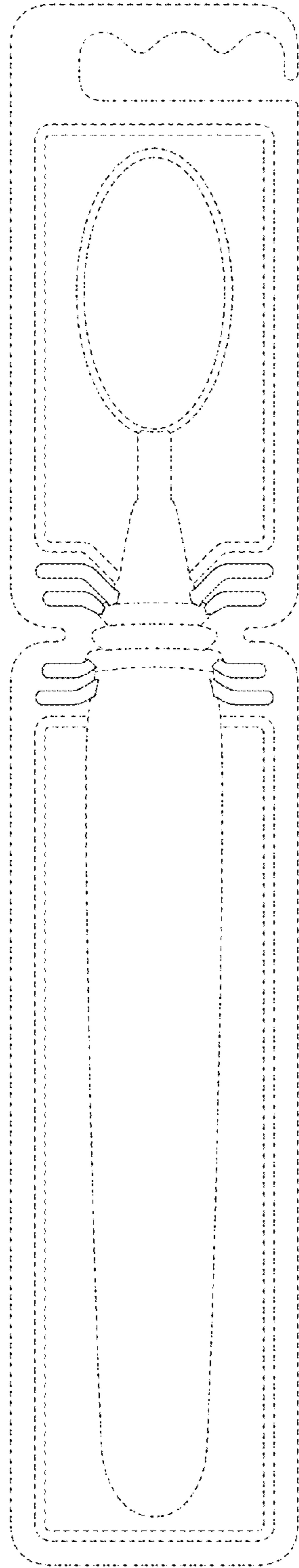


Fig. 9

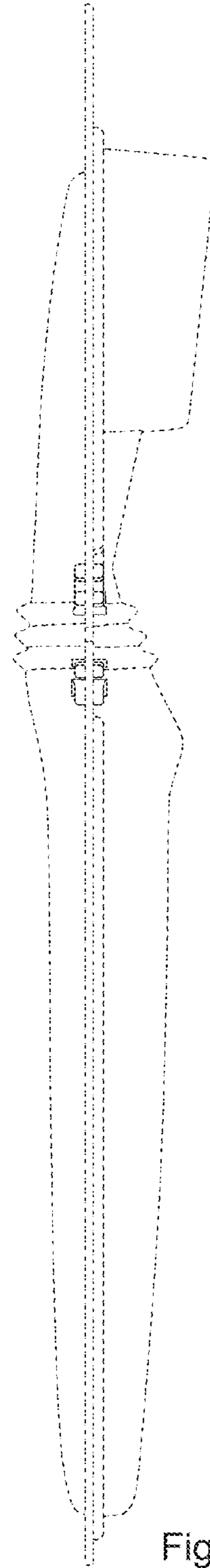


Fig. 10

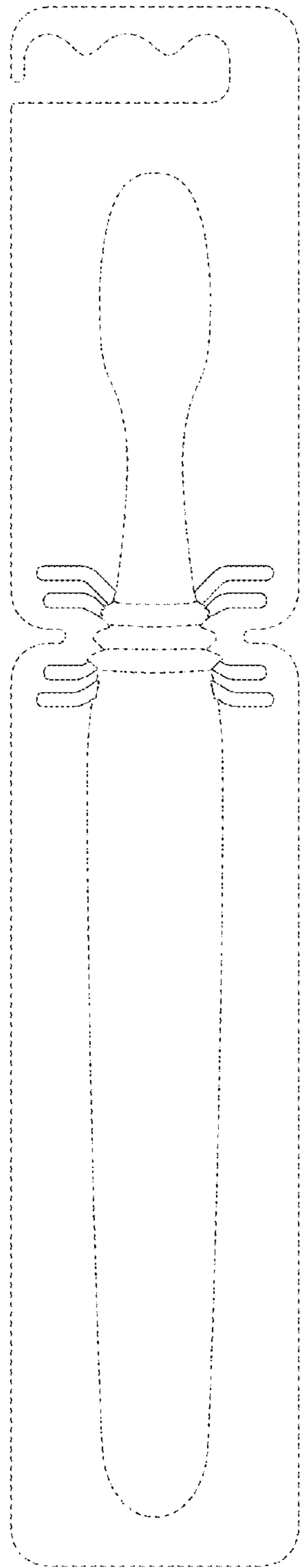


Fig. 11

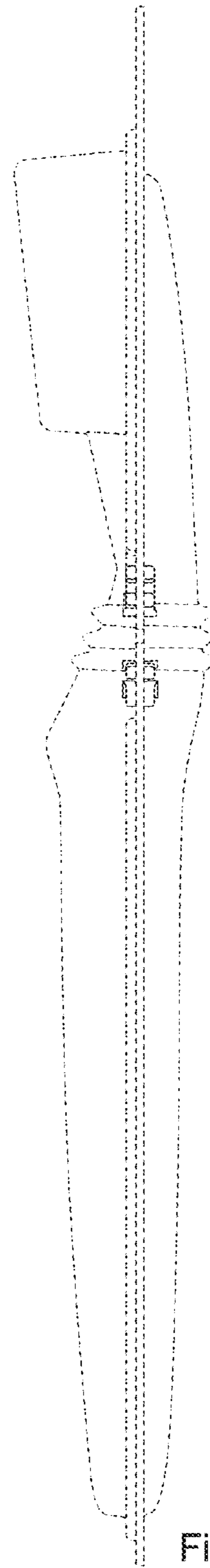


Fig. 12

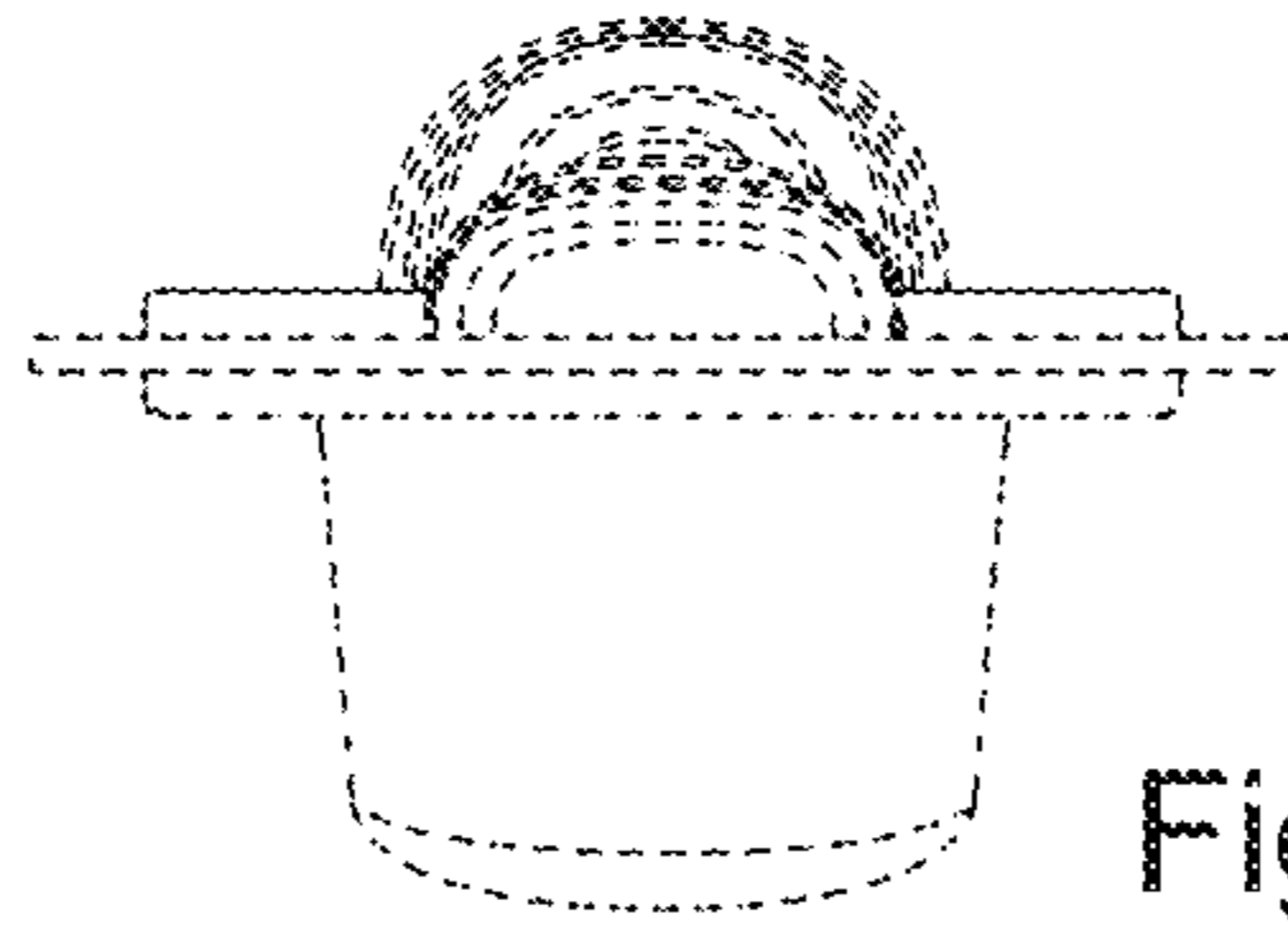


Fig. 13

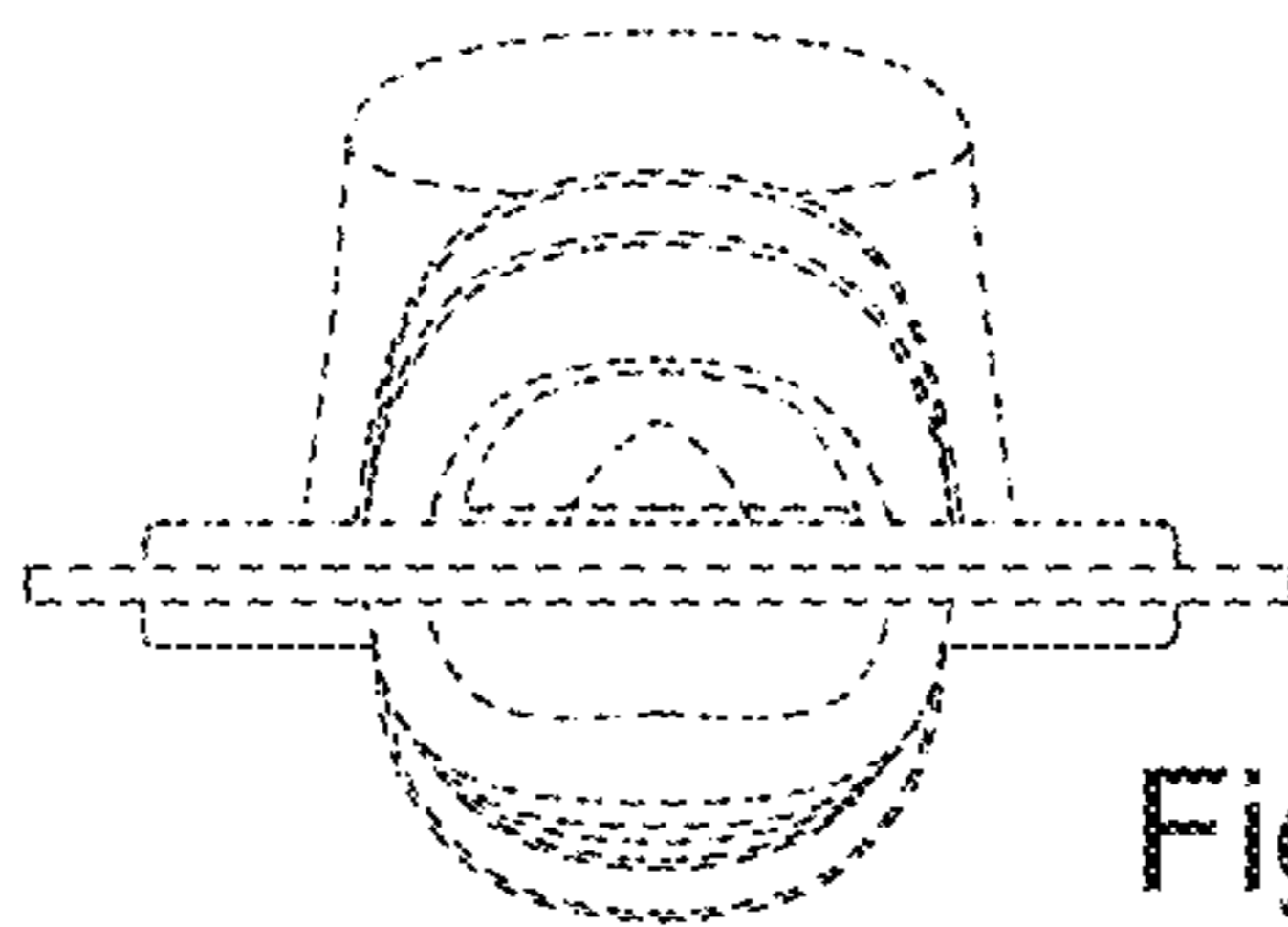


Fig. 14