



US00D704546S

(12) **United States Design Patent**  
**Thompson**

(10) **Patent No.:** **US D704,546 S**

(45) **Date of Patent:** **\*\* May 13, 2014**

(54) **ROUND HAT BOX**

(71) Applicant: **Willow Group, Ltd**, Batavia, NY (US)

(72) Inventor: **Cheryl Thompson**, Orchard Park, NY (US)

(73) Assignee: **Willow Group, Ltd.**, Batavia, NY (US)

(\*\*) Term: **14 Years**

(21) Appl. No.: **29/461,694**

(22) Filed: **Jul. 26, 2013**

(51) **LOC (10) Cl.** ..... **09-03**

(52) **U.S. Cl.**  
USPC ..... **D9/414**

(58) **Field of Classification Search**

USPC ..... D9/632, 504, 501, 435, 449, 454, 414,  
D9/564, 772, 767, 716, 428, 424, 423, 418,  
D9/431; 206/8, 278, 243; D11/131;  
D7/691, 538; 229/117.23, 400, 939

See application file for complete search history.

(56) **References Cited**

U.S. PATENT DOCUMENTS

2,079,177	A *	5/1937	Membrino	.....	229/93
2,554,722	A *	5/1951	Waters	.....	156/213
D421,903	S	3/2000	Craker		
D451,386	S *	12/2001	Rice	.....	D3/302
D494,472	S *	8/2004	Lewis et al.	.....	D9/501
D519,027	S *	4/2006	Haber et al.	.....	D9/428
D588,453	S	3/2009	Glade		
D588,916	S *	3/2009	DeMarco	.....	D9/504
8,070,006	B2 *	12/2011	Austin et al.	.....	220/9.2
D693,688	S *	11/2013	Russell et al.	.....	D9/504
D694,112	S *	11/2013	Brown	.....	D9/503

OTHER PUBLICATIONS

Peekaboo Mini Hat Box from the Peekaboo Collection ... website (1 page) <http://www.goorin.com/peekaboo-mini-box>.

Mini Hat Box Assortment (Package of 48): Jewelry: Amazon.com (3 pages) <http://www.amazon.com/Mini-Hat-Box-Assortment-Pack-age/dp/B005UPS2QY>.

\* cited by examiner

*Primary Examiner* — Robert M Spear

*Assistant Examiner* — Rhea Shields

(74) *Attorney, Agent, or Firm* — Brian B. Shaw, Esq.; Harter Secrest & Emery LLP

(57) **CLAIM**

The ornamental design for a round hat box, as shown and described.

**DESCRIPTION**

FIG. 1 is a front perspective view of a first embodiment of a round hat box showing my design;

FIG. 2 is a top view of the round hat box shown in FIG. 1;

FIG. 3 is a bottom view of the round hat box shown in FIG. 1;

FIG. 4 is a front elevation view of the round hat box shown in FIG. 1;

FIG. 5 is a rear elevation view of the round hat box shown in FIG. 1;

FIG. 6 is a right side elevation view of the round hat box shown in FIG. 1, which is a mirror image of the left side elevation view;

FIG. 7 is a front perspective view of a second embodiment of a round hat box showing my design;

FIG. 8 is a top view thereof;

FIG. 9 is a bottom view thereof;

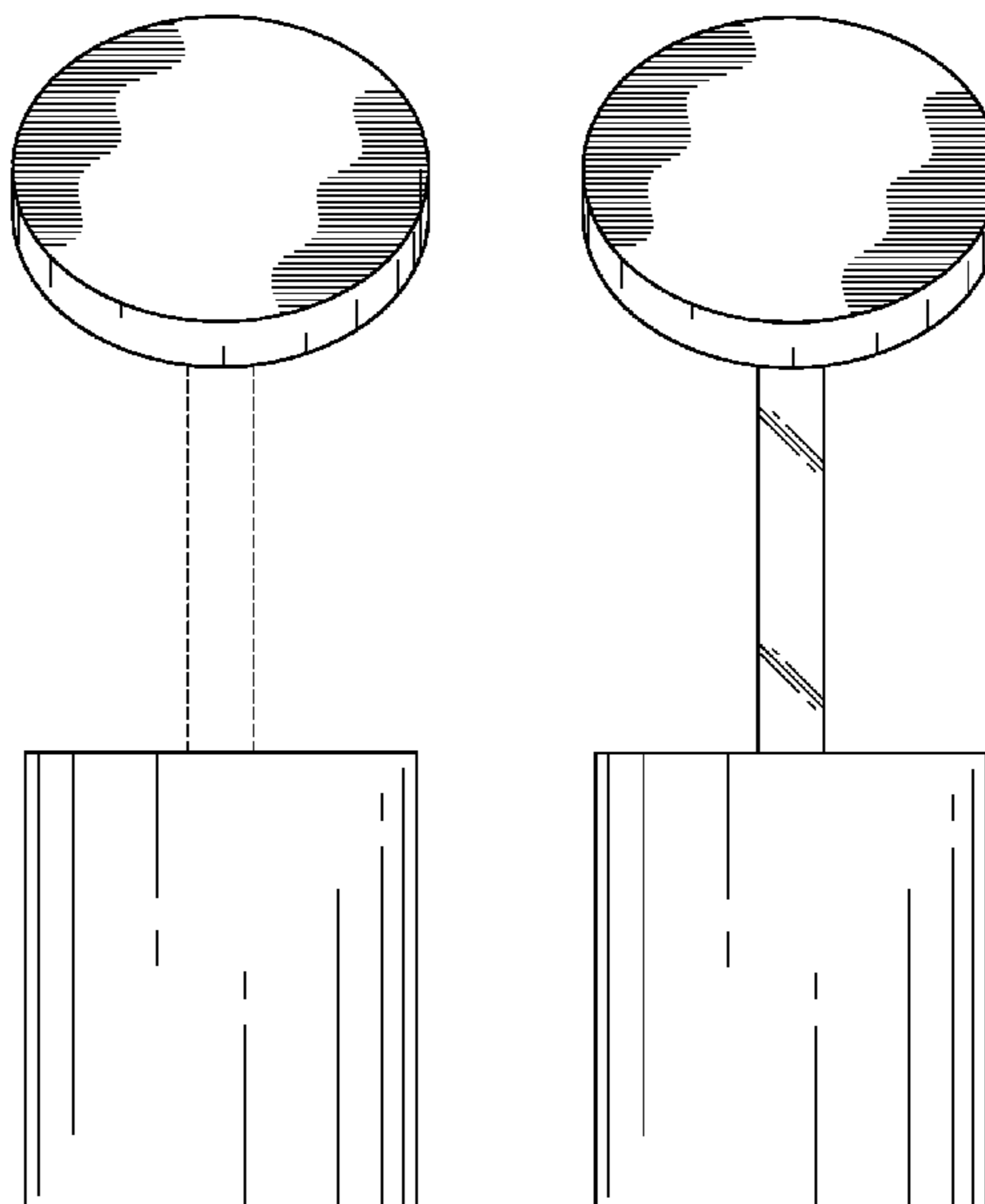
FIG. 10 is a front elevational view thereof;

FIG. 11 is a rear elevational view thereof; and,

FIG. 12 is a right side elevation view thereof, which is a mirror image of the left side elevation view.

In the drawings, the broken lines depict environmental subject matter only and form no part of the claimed design.

**1 Claim, 4 Drawing Sheets**



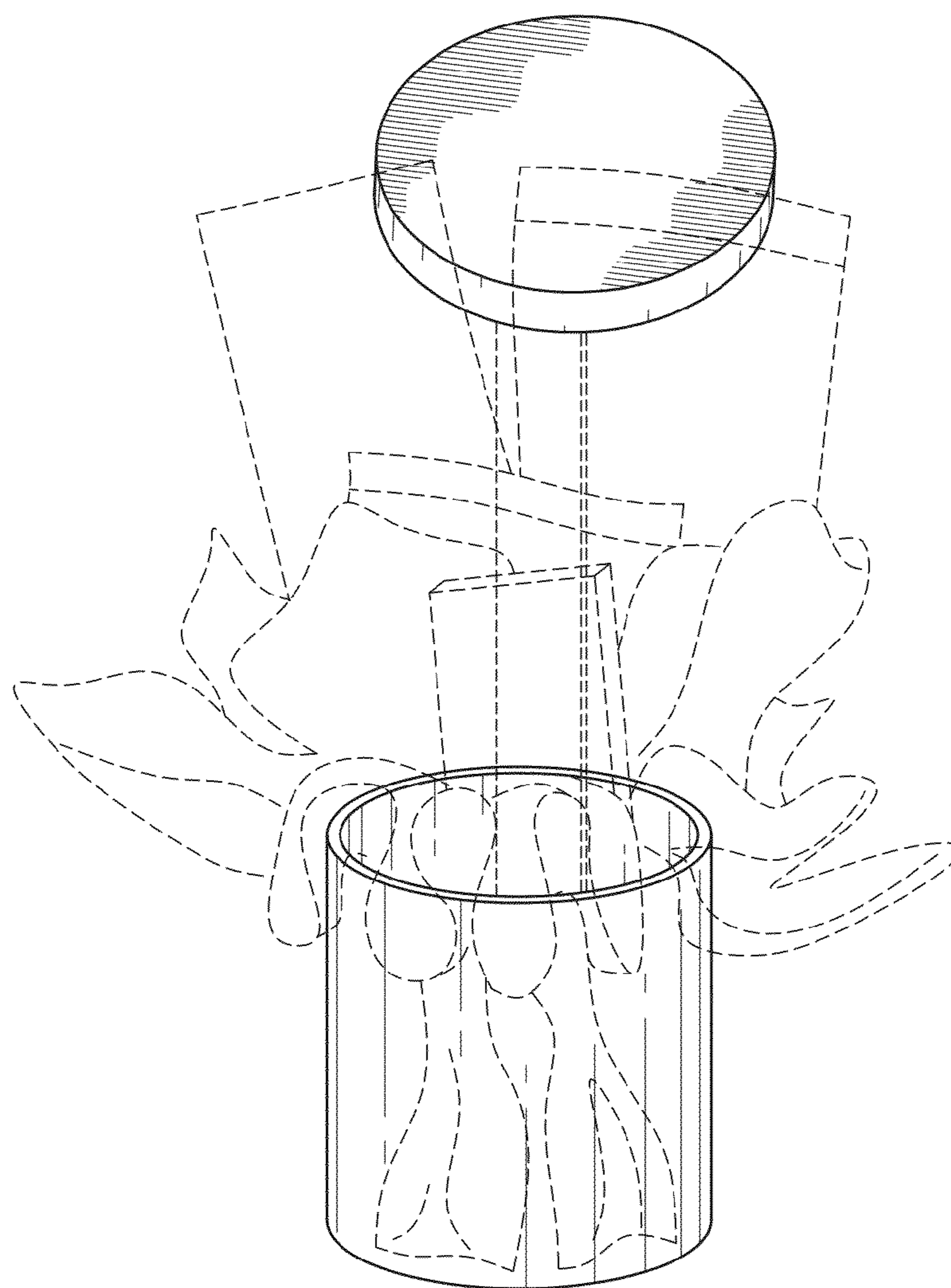


FIG. 1

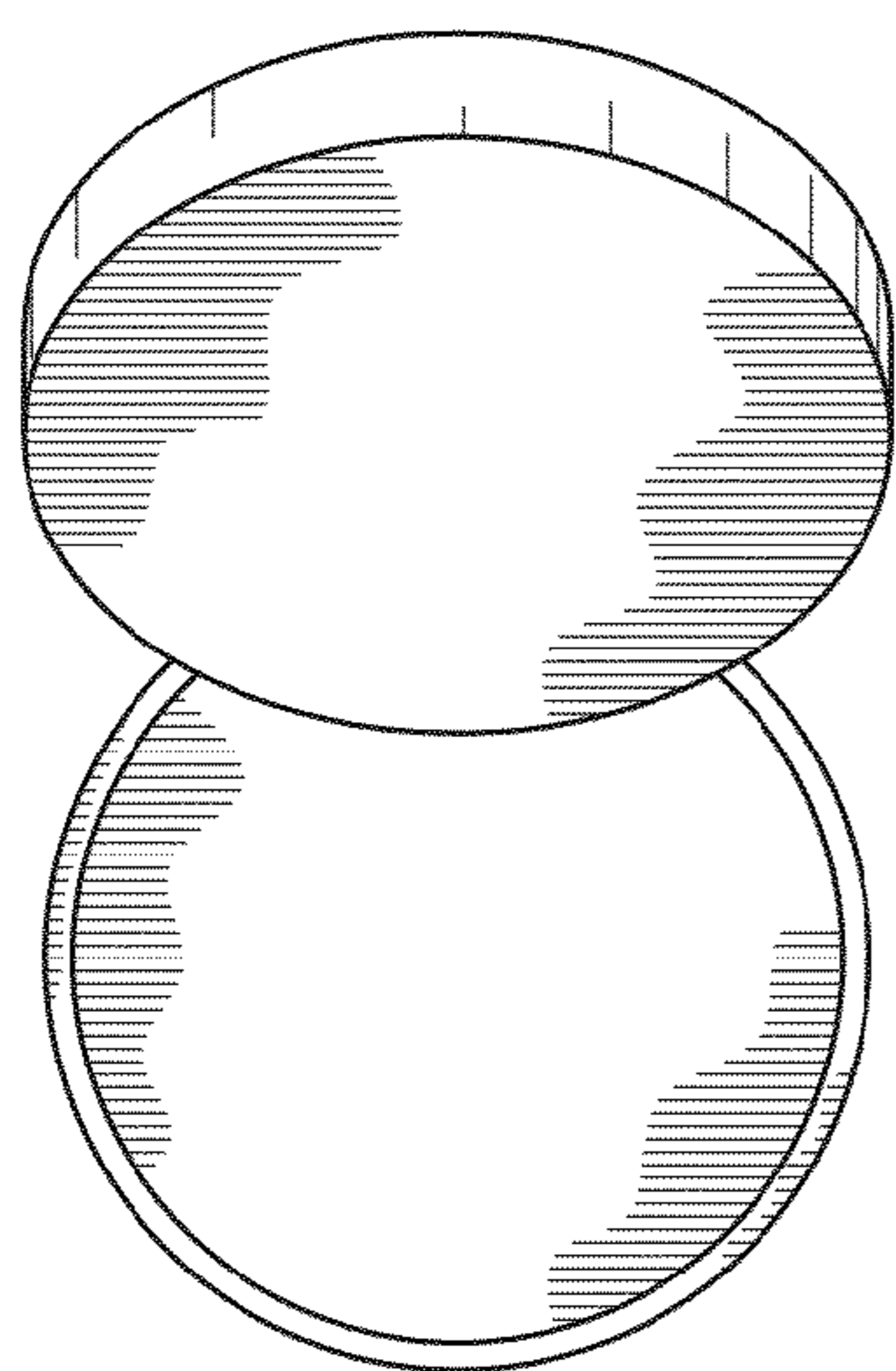


FIG. 2

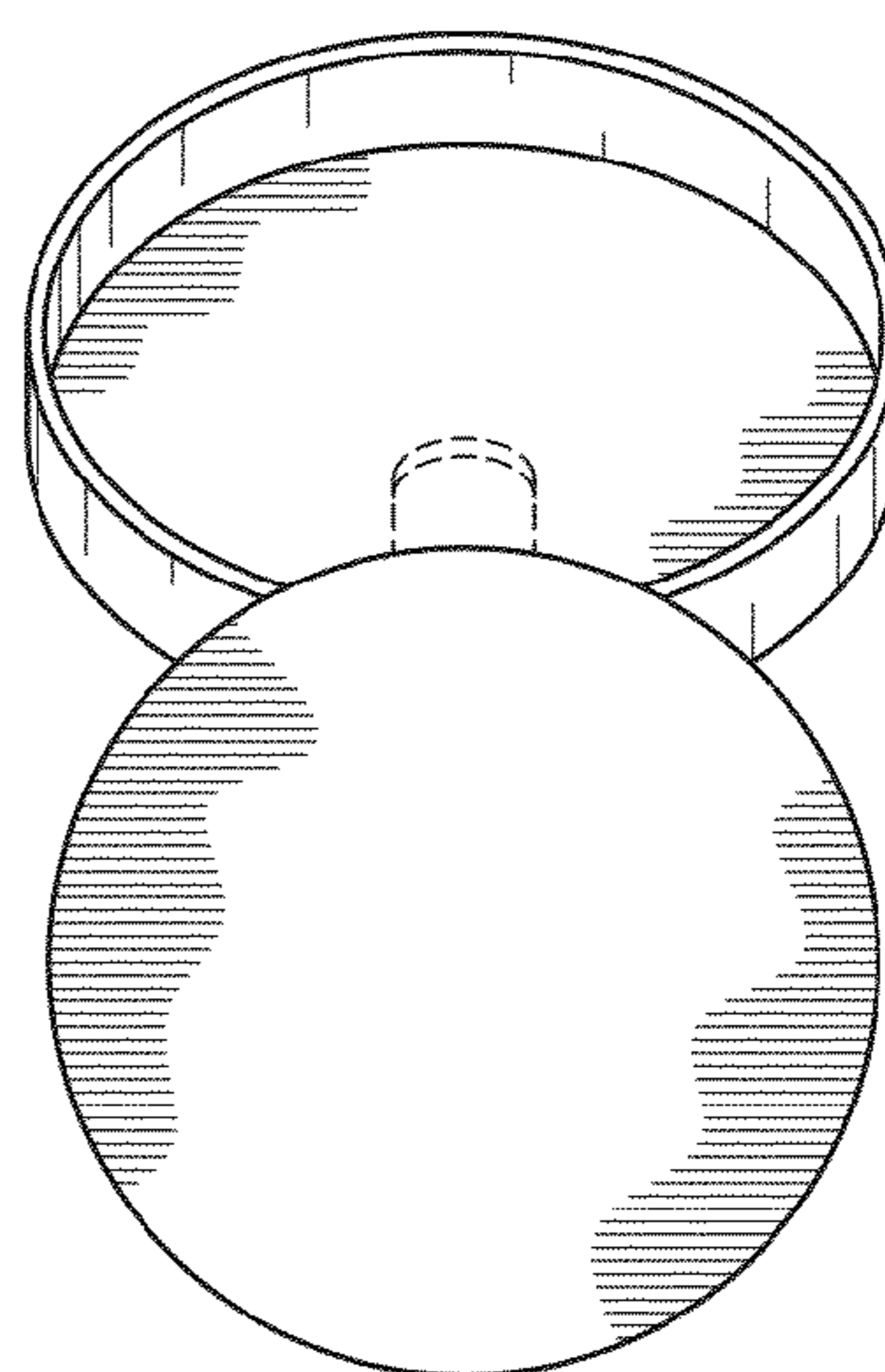


FIG. 3

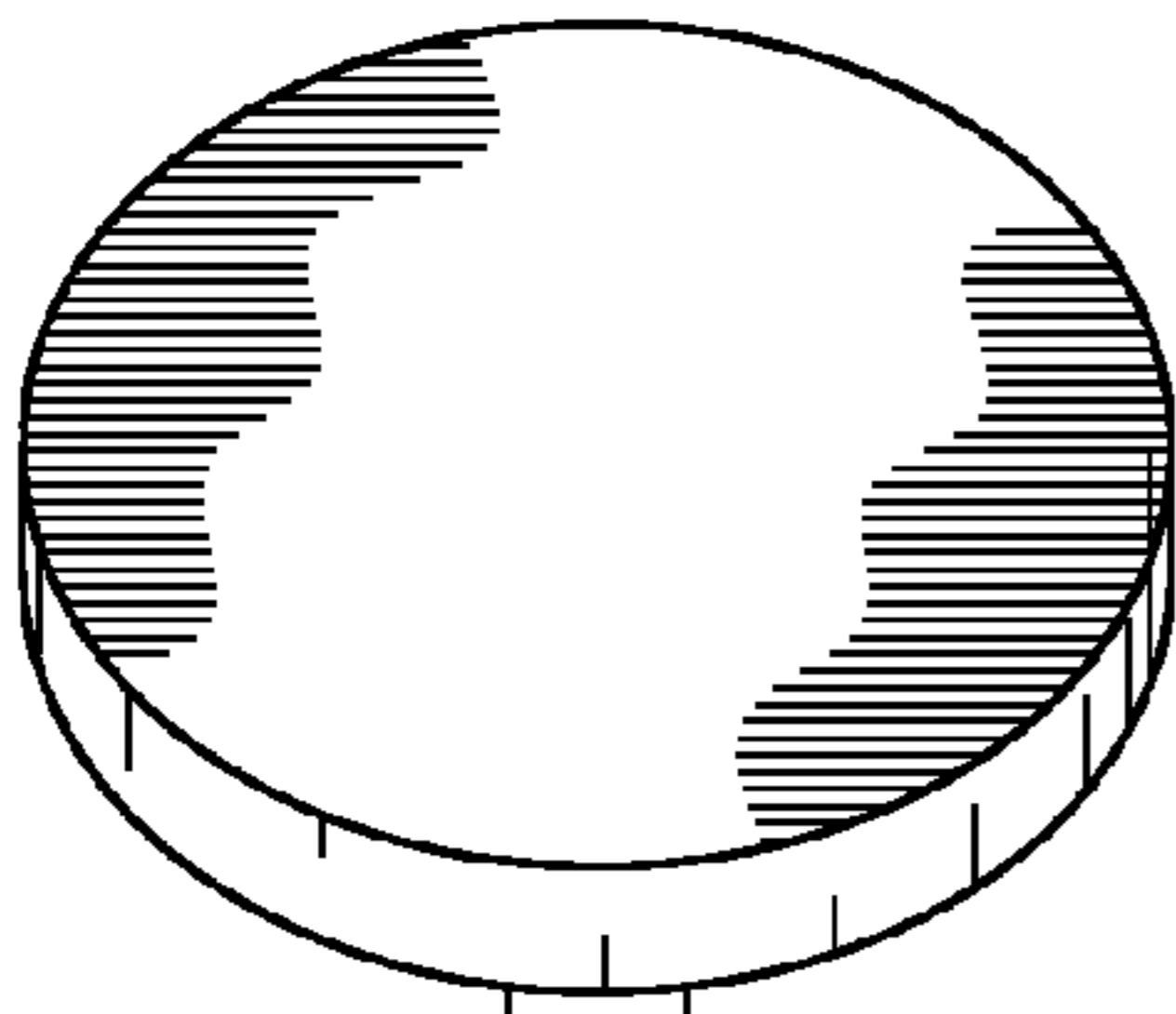


FIG. 4

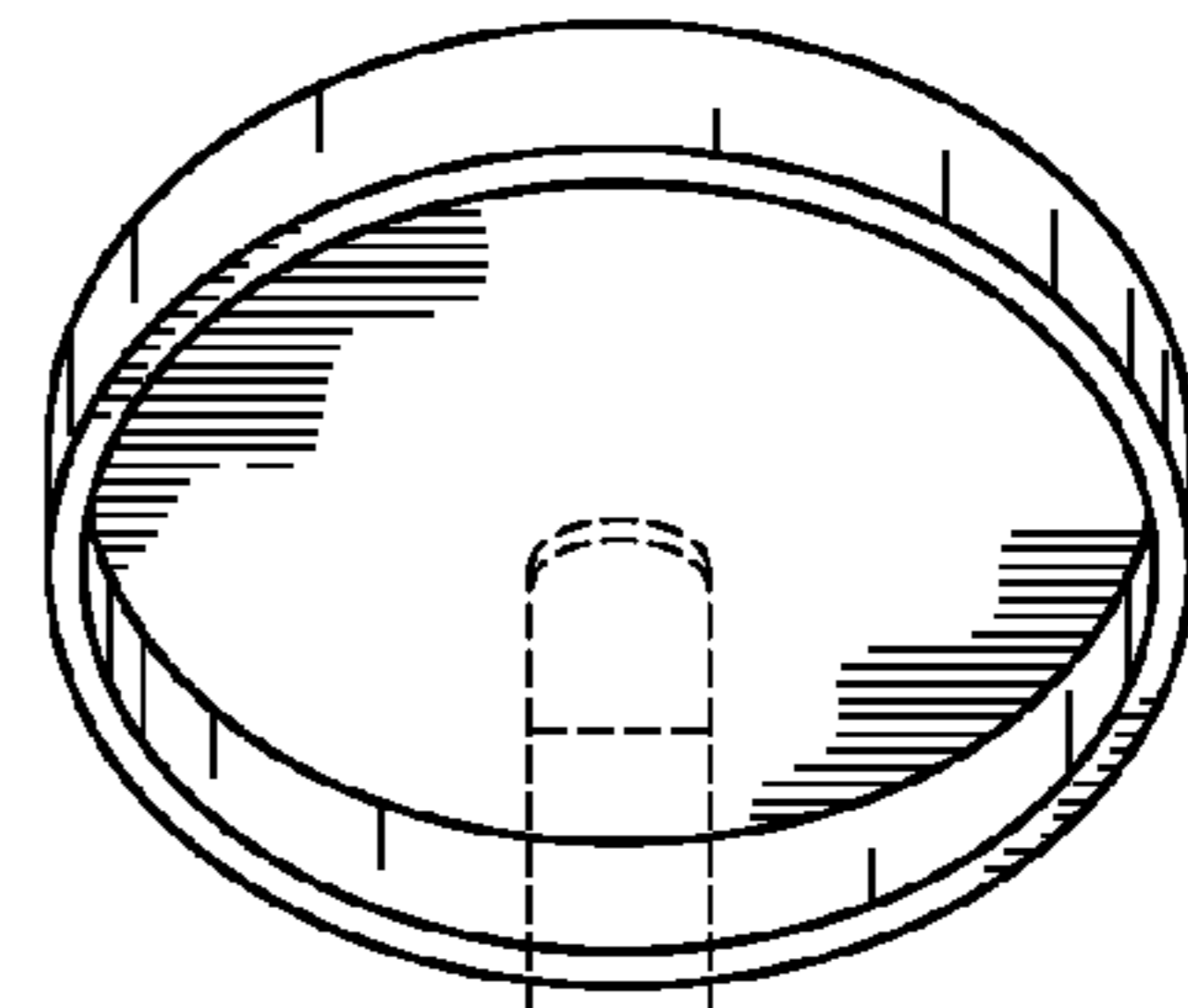


FIG. 5

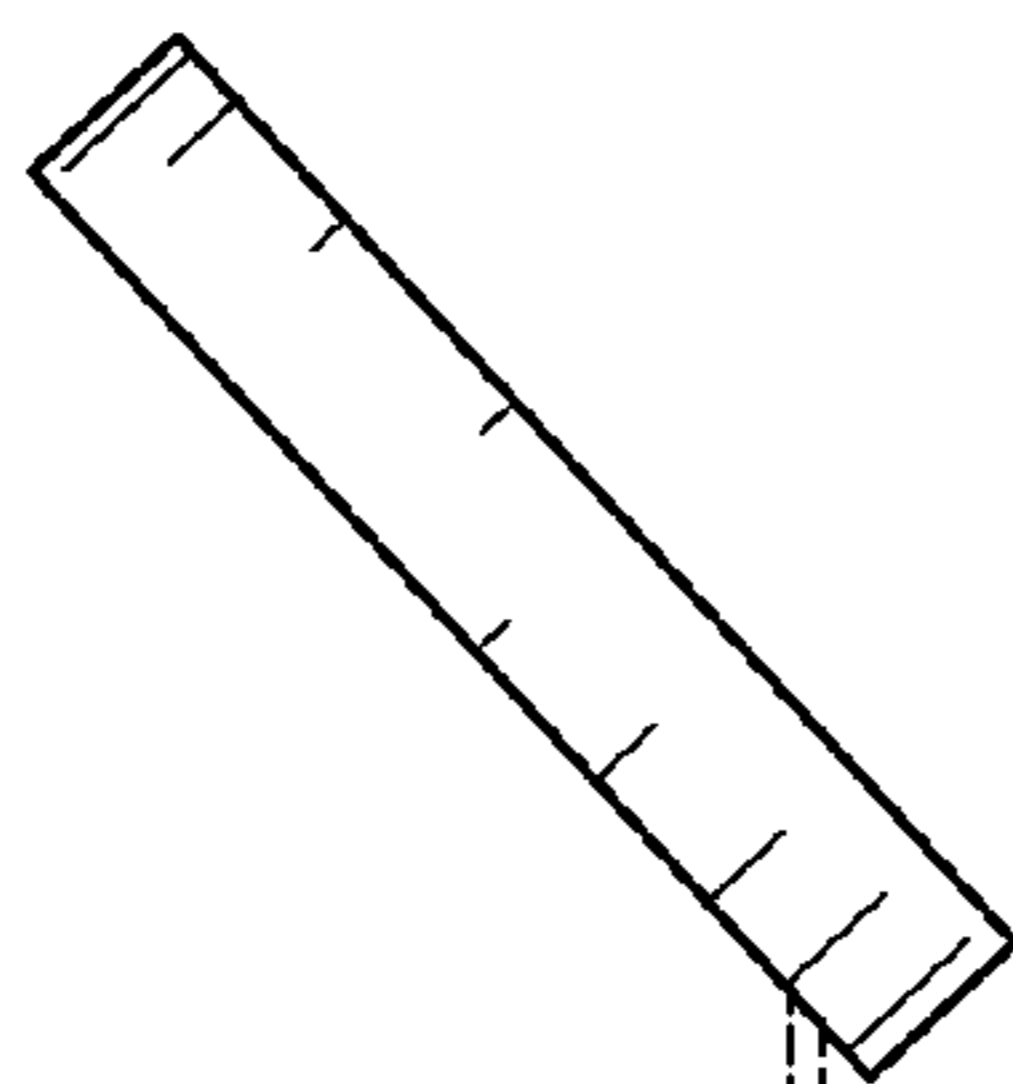
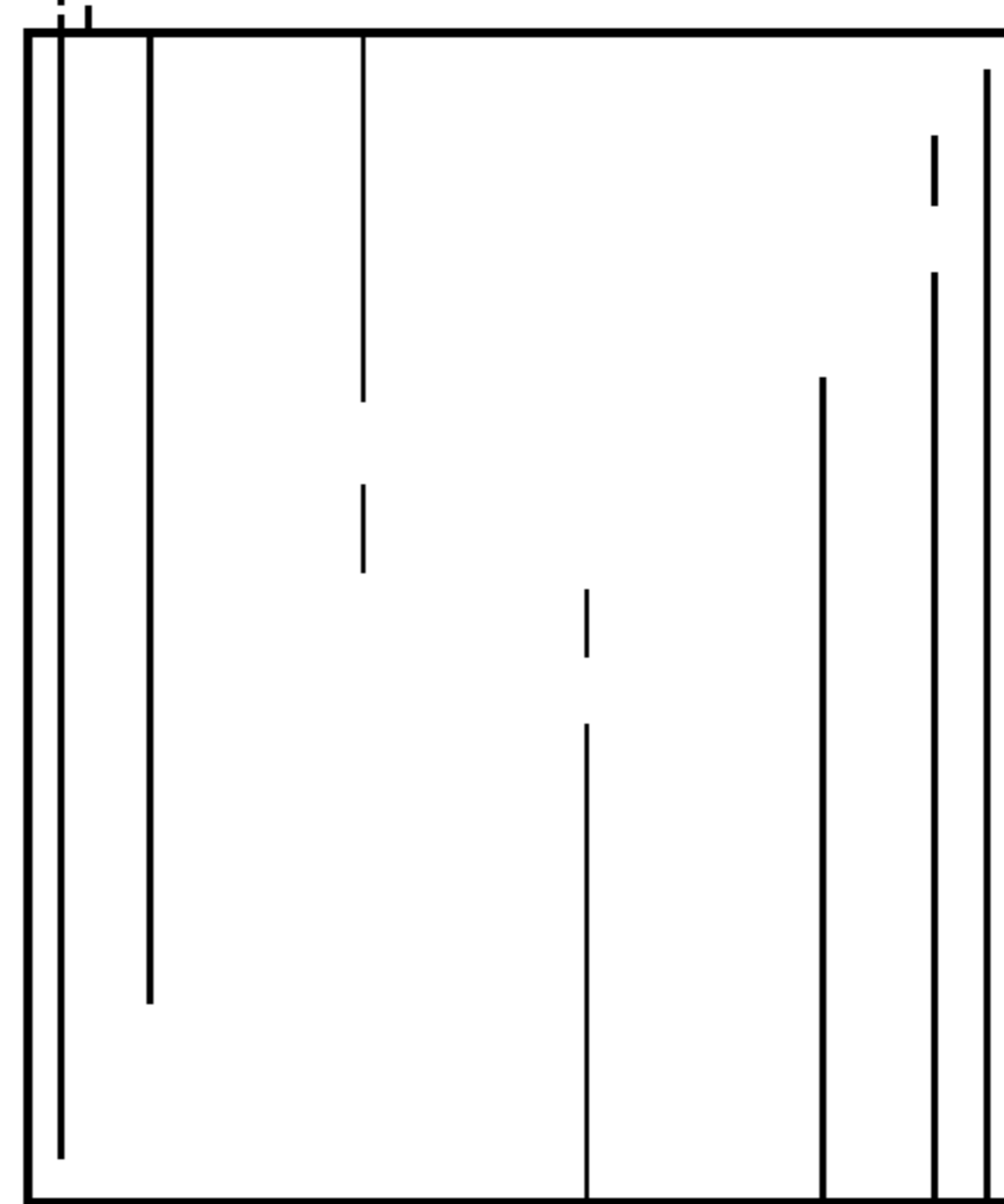


FIG. 6



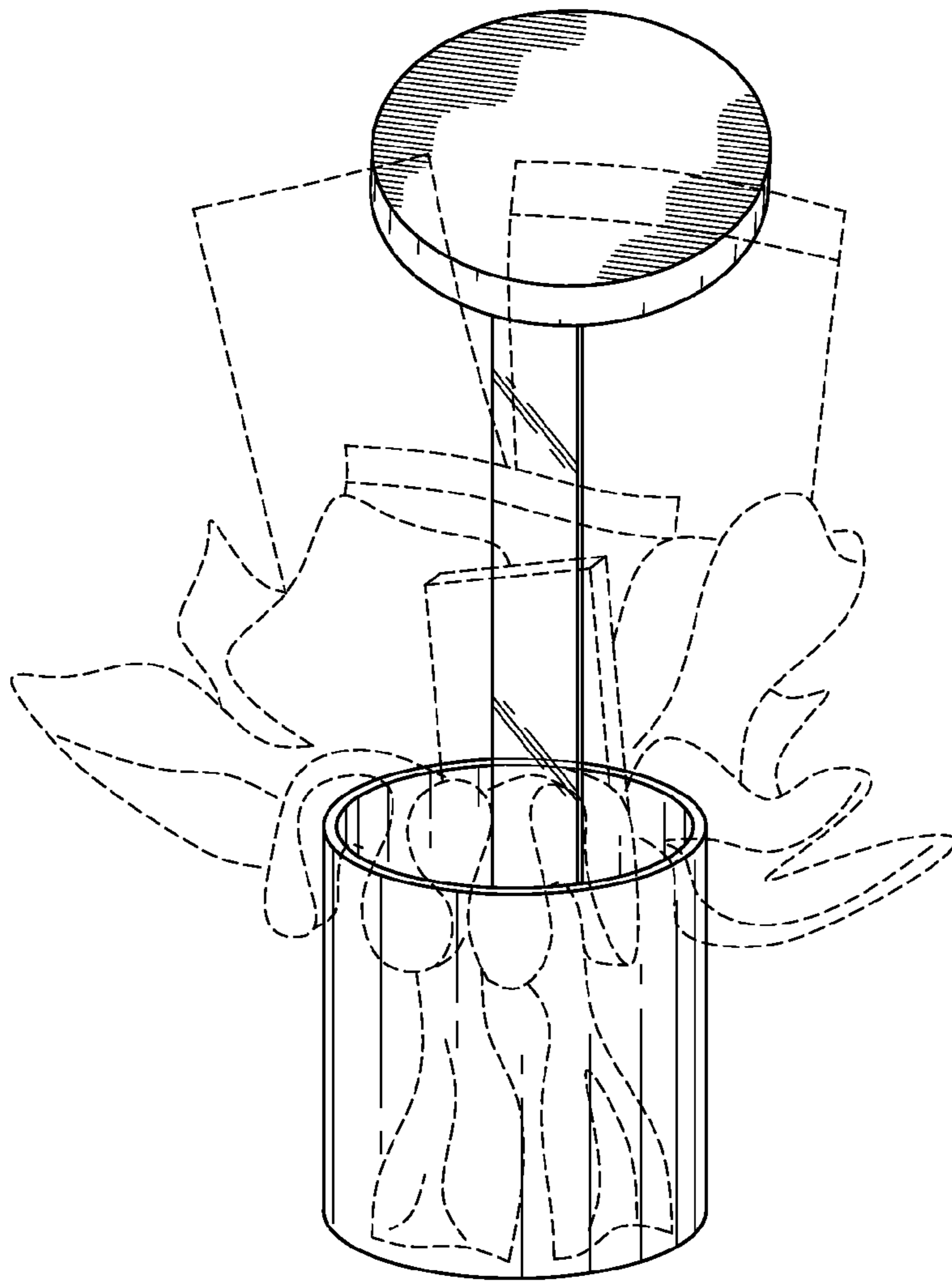


FIG. 7

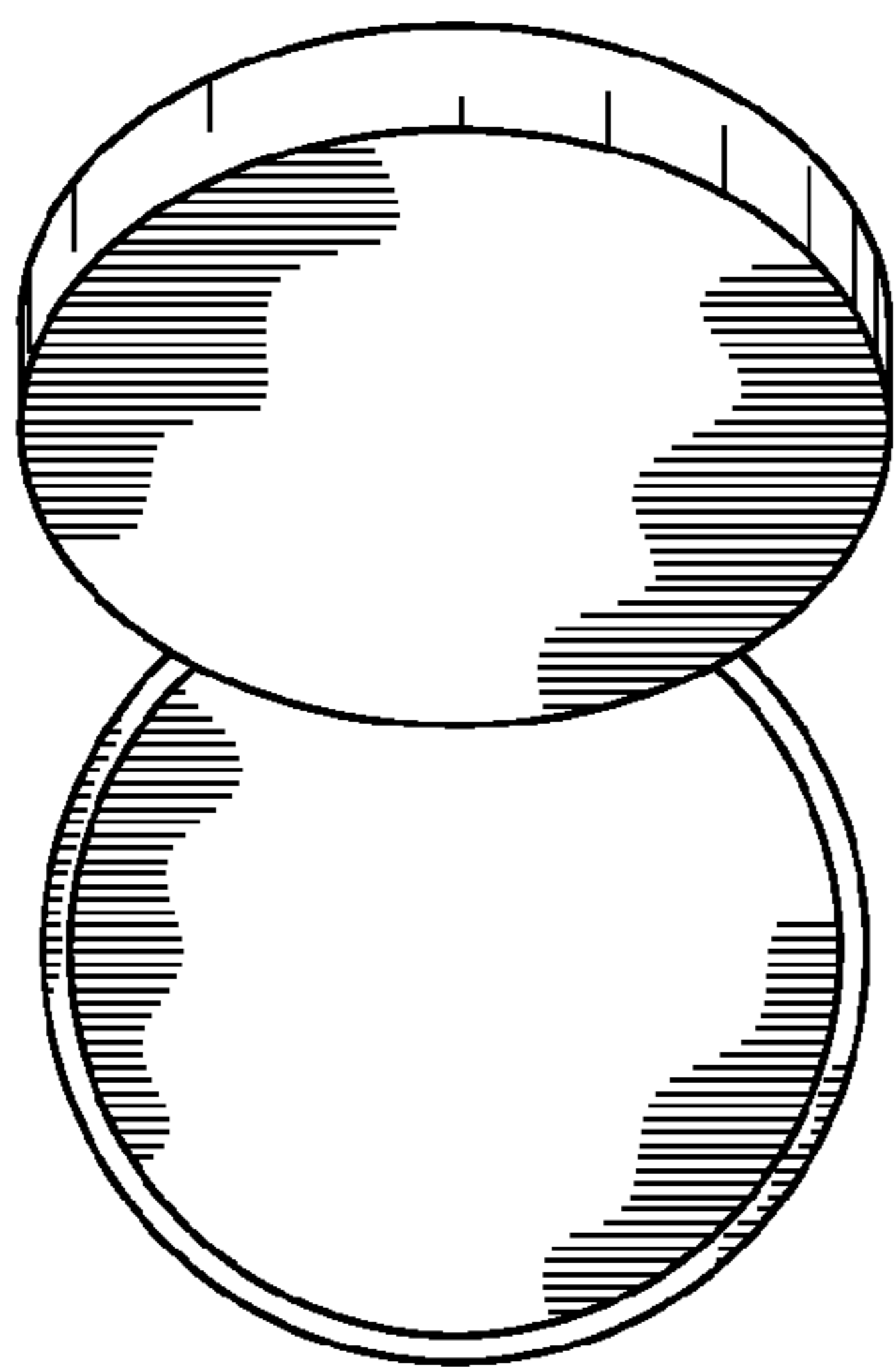


FIG. 8

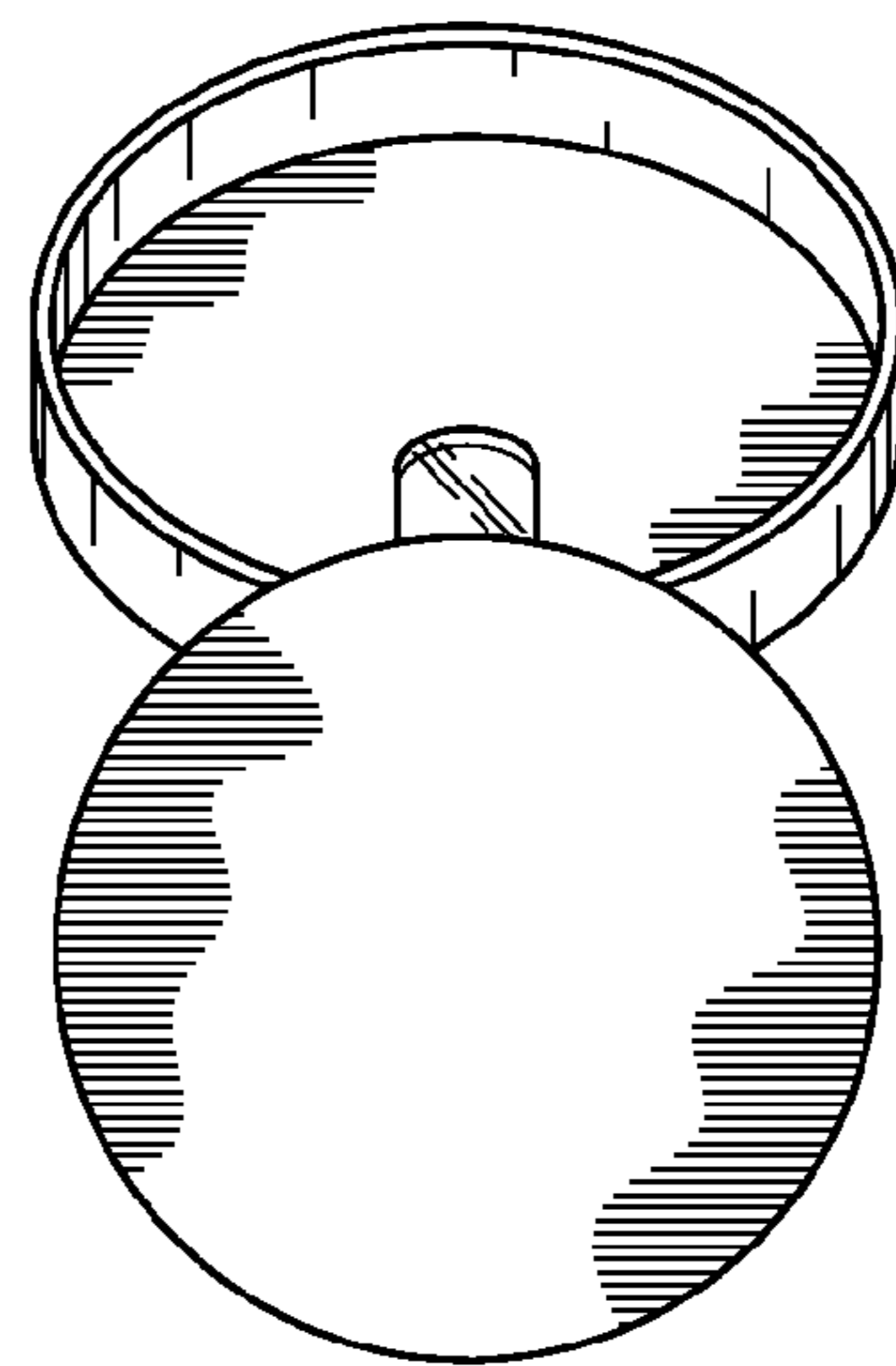


FIG. 9

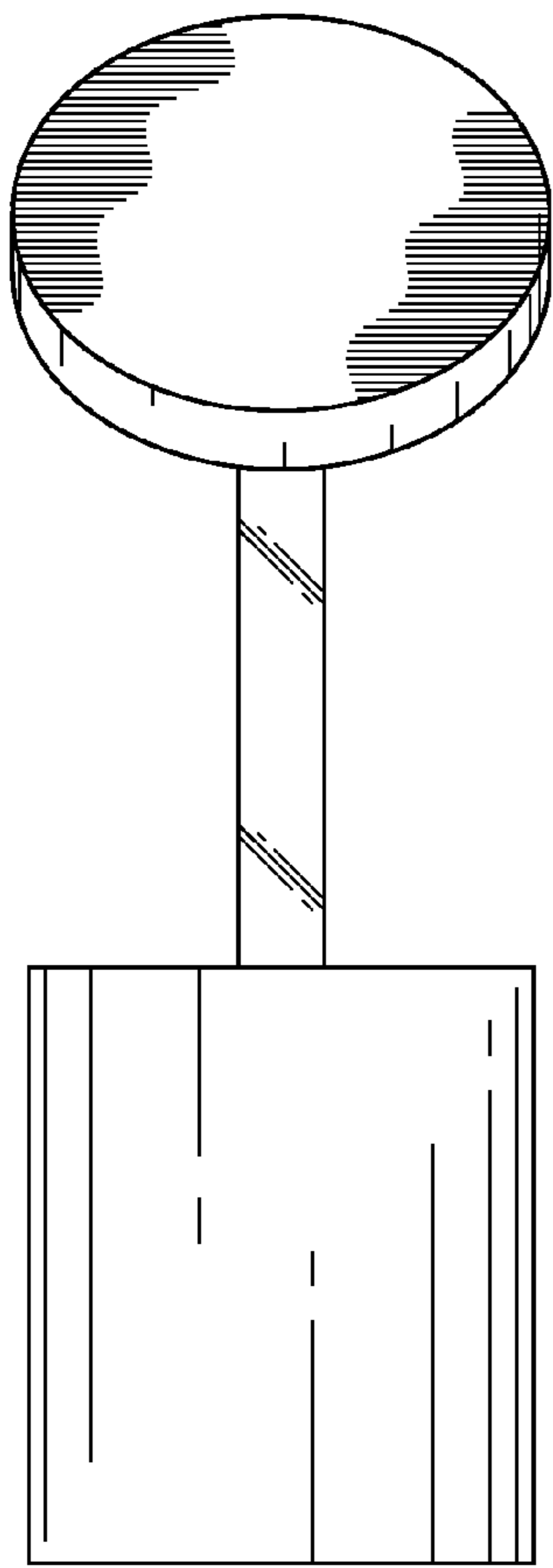


FIG. 10

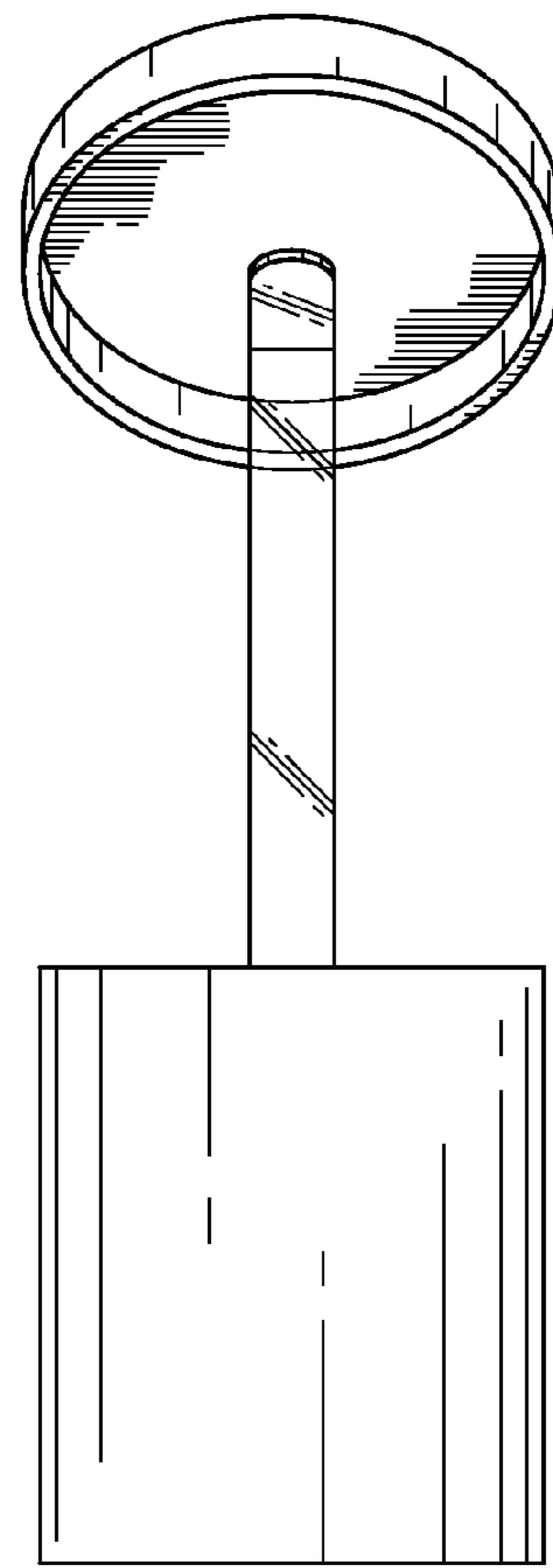


FIG. 11

FIG. 12

